

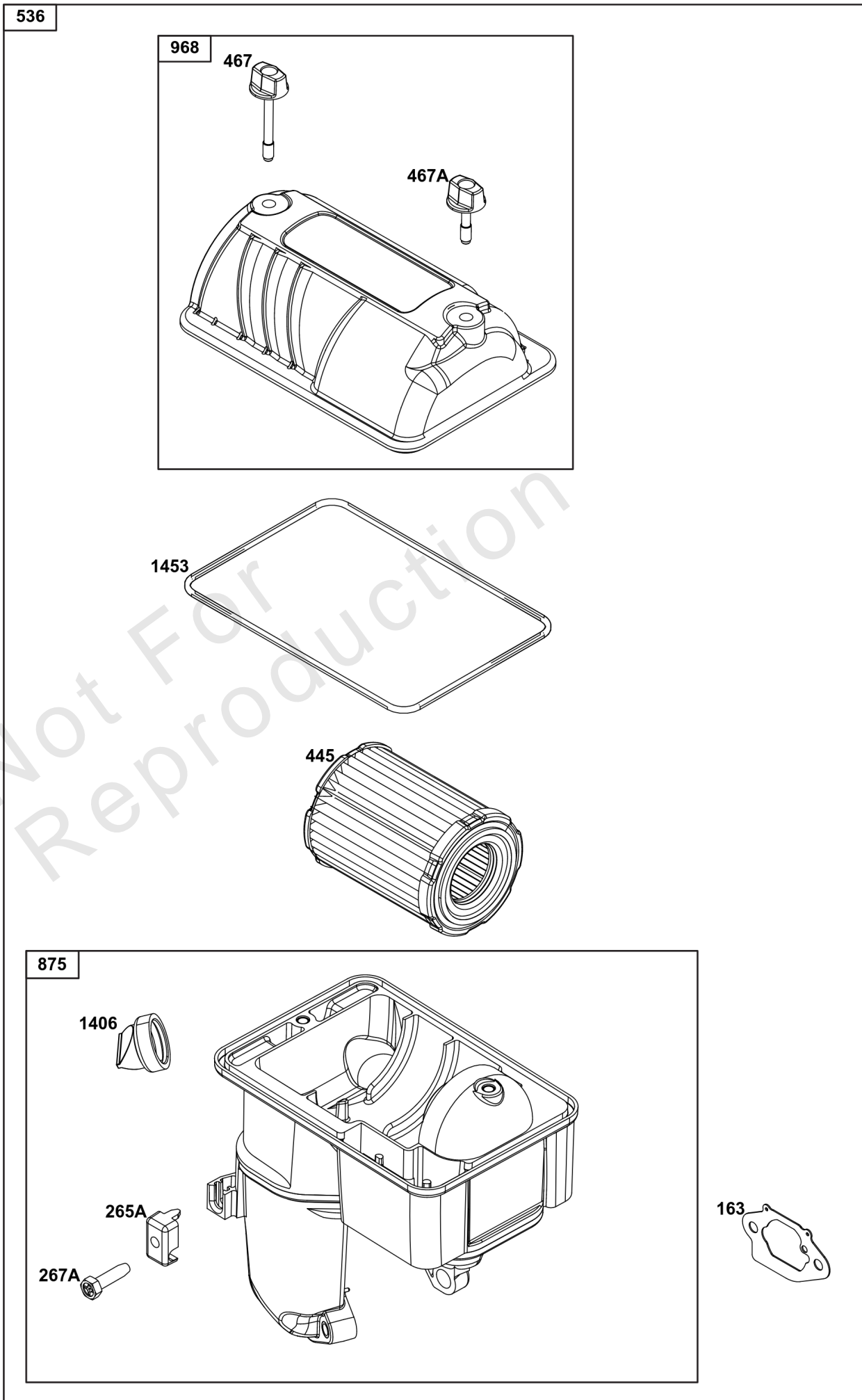


Parts Manual

Mfg. No: 25V332-0003-F1

| Model Components | Page |
|---|-------------|
| Air Cleaner Group..... | 4 |
| Blower Housing Group..... | 6 |
| Carburetor Group..... | 8 |
| Controls Group..... | 10 |
| Crankcase Cover/Sump and Lubrication Group..... | 12 |
| Crankshaft Group..... | 14 |
| Cylinder Group..... | 16 |
| Cylinder Head Group..... | 18 |
| Exhaust Group..... | 20 |
| Flywheel, Ignition, and Starter Group..... | 22 |
| Fuel Supply Group..... | 24 |
| Replacement Engine - US & Canada..... | 26 |

Not For
Reproduction




Air Cleaner Group

| REF NO | PART NO | QTY | DESCRIPTION |
|---------------|----------------|------------|---|
| 163 | ----- | 1 | GASKET, Air Cleaner -(Part information located in Carburetor Group.) |
| 265A | ----- | 1 | CLAMP, Casing -(Part information located in Controls Group.) |
| 267A | ----- | 1 | SCREW -(Part information located in Controls Group.) |
| 445 | 84002310 | 1 | FILTER, A/C Cartridge |
| 467 | 84004159 | 1 | KNOB, Air Cleaner Cover |
| 467A | 596759 | 1 | KNOB, Air Cleaner Cover |
| 536 | 84004266 | 1 | CLEANER, Air |
| 875 | 84004267 | 1 | BASE, AIR CLEANER |
| 968 | 84004278 | 1 | COVER, Air Cleaner |
| 1406 | 84007679 | 1 | VALVE, Debris |
| 1453 | 84004276 | 1 | SEAL, Air Cleaner Cover |

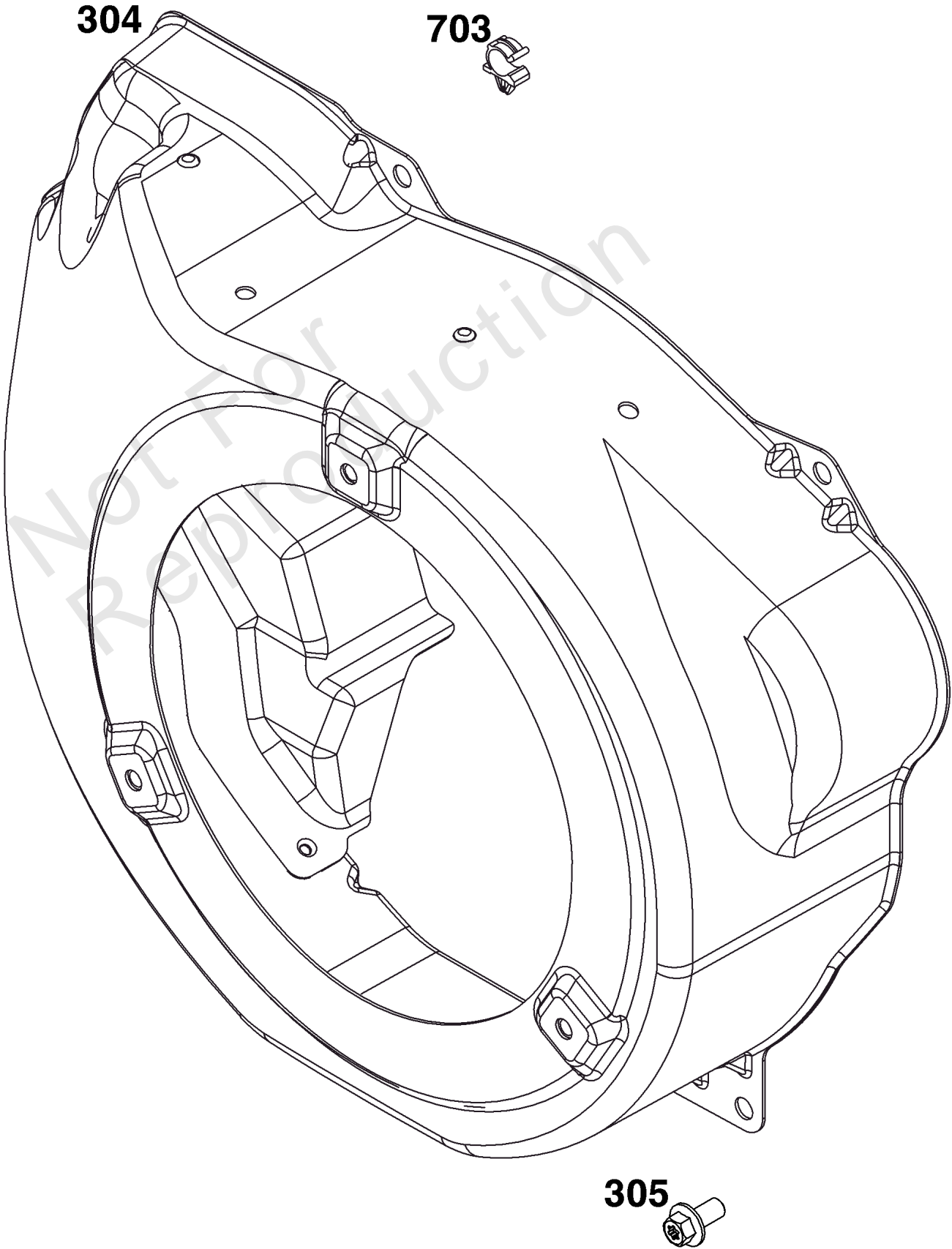
Not For Reproduction

1036 

1319 

1319B 

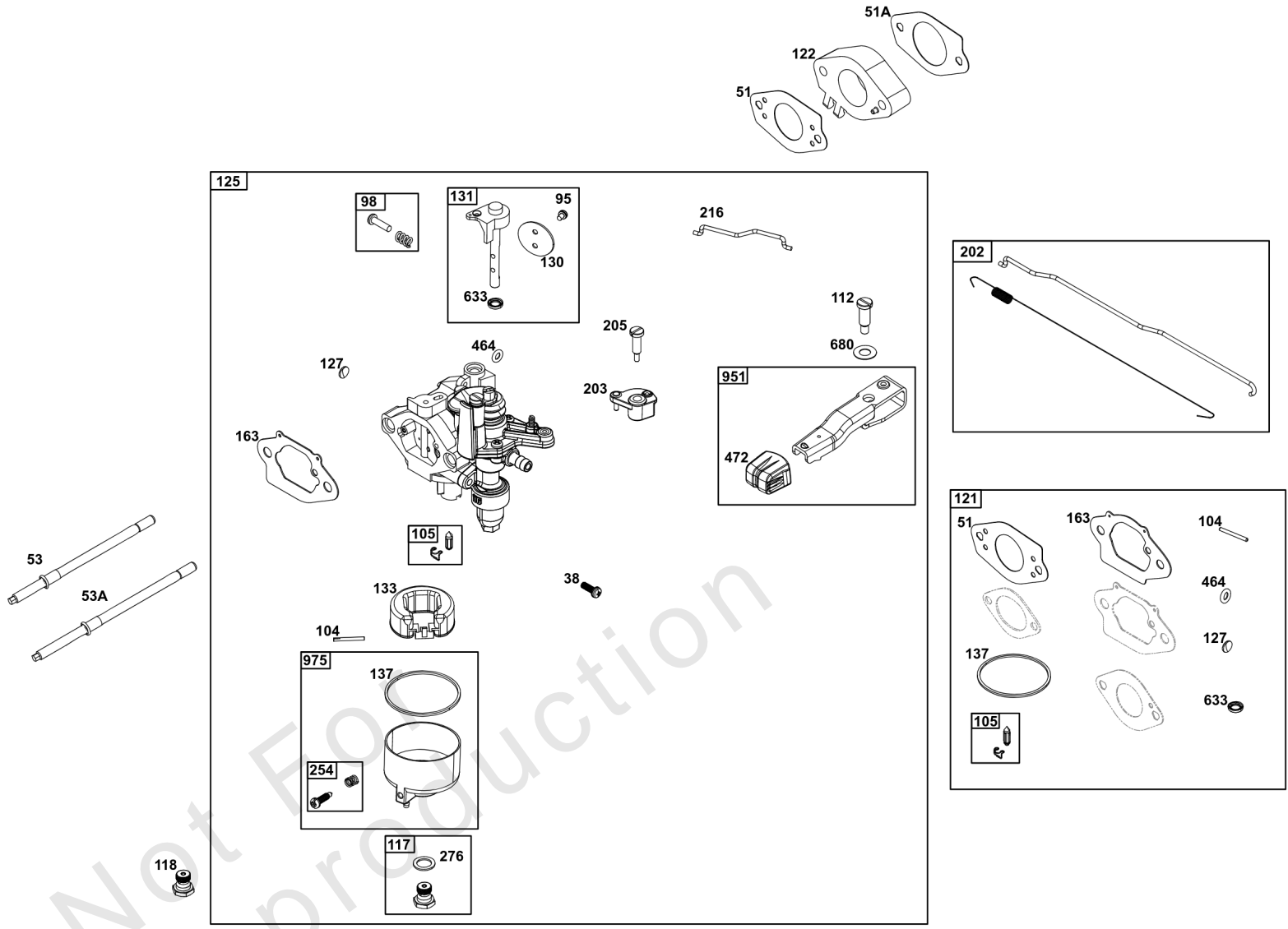
1319A 



Blower Housing Group

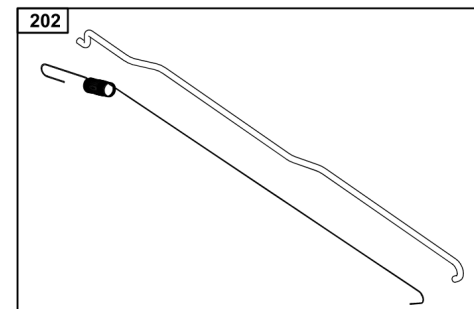
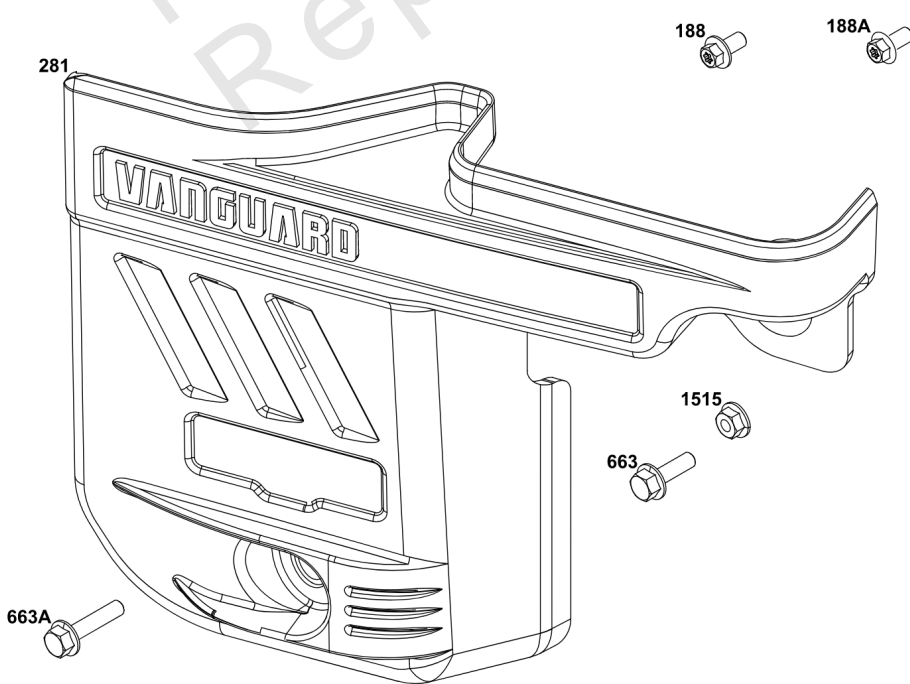
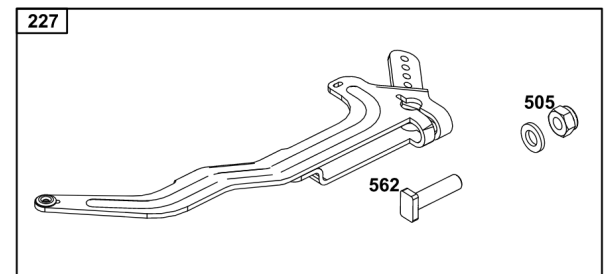
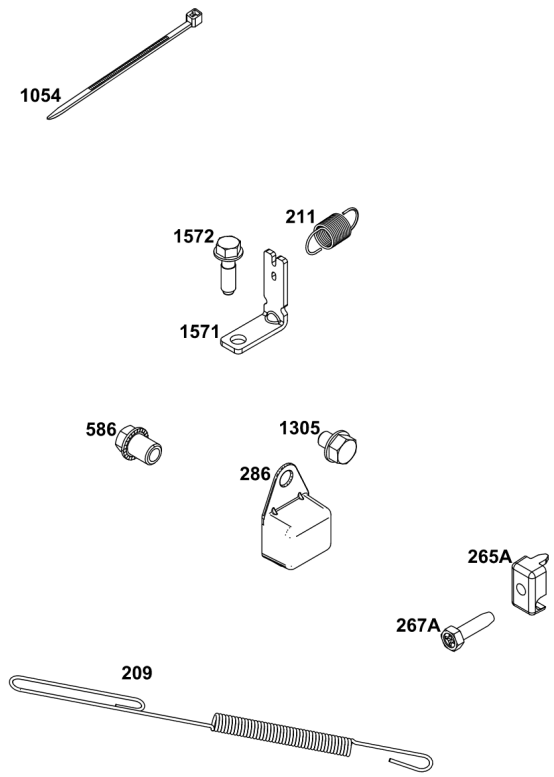
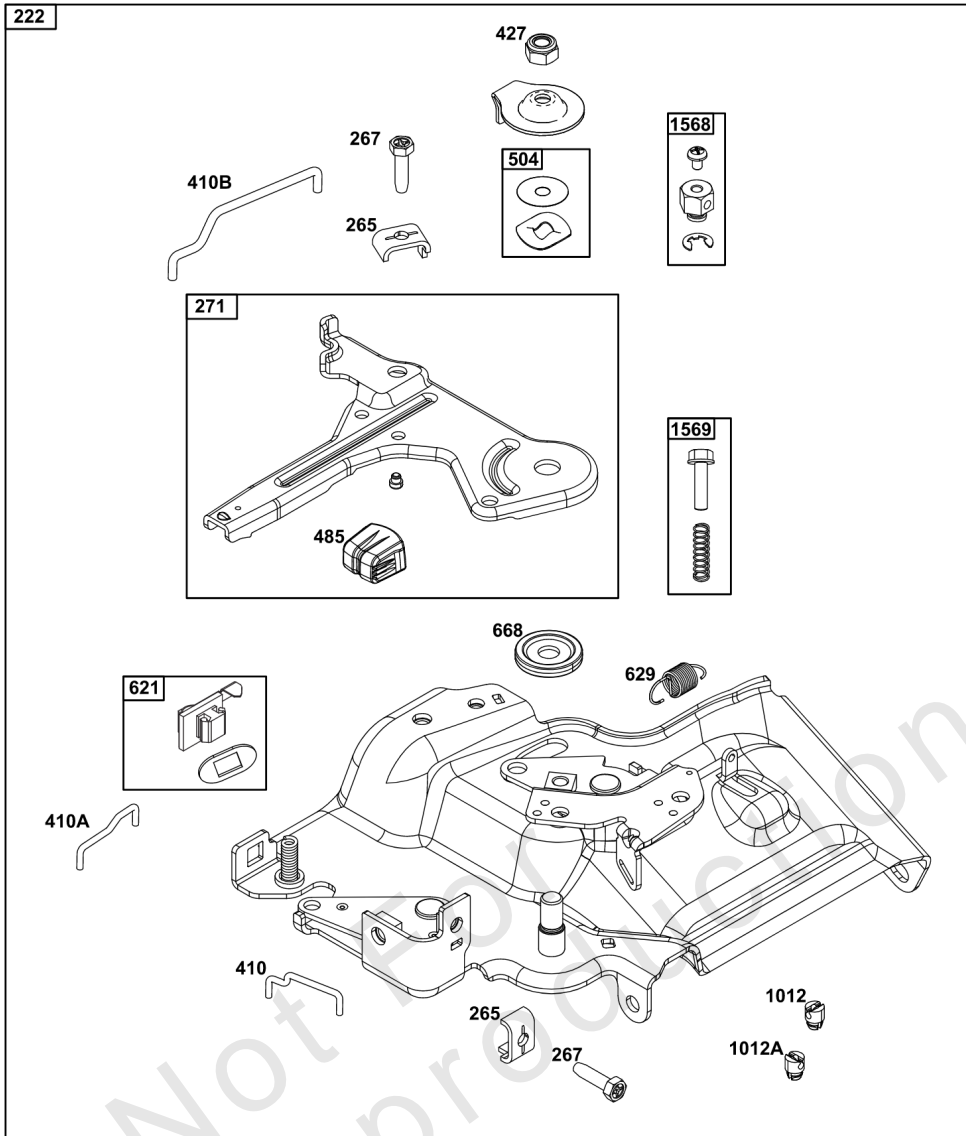
| REF NO | PART NO | QTY | DESCRIPTION |
|--------|----------|-----|--|
| 304 | 84004566 | 1 | HOUSING, Blower |
| 305 | 597078 | 5 | SCREW -(Blower Housing) |
| 703 | ----- | 1 | CLIP -(Part information located in Fuel Supply Group.) |
| 1036 | ----- | 1 | LABEL, Emissions -(Available from a Briggs & Stratton Authorized Dealer) |
| 1319 | 794467 | 1 | LABEL, Warning -(REQUIRED When Replacing Parts With Warning Labels Affixed) |
| 1319A | 797669 | 1 | LABEL, Warning -(REQUIRED When Replacing Parts With Warning Labels Affixed) |
| 1319B | 278911GS | 1 | LABEL, Warning -(REQUIRED When Replacing Parts With Warning Labels Affixed) |

Not For Reproduction



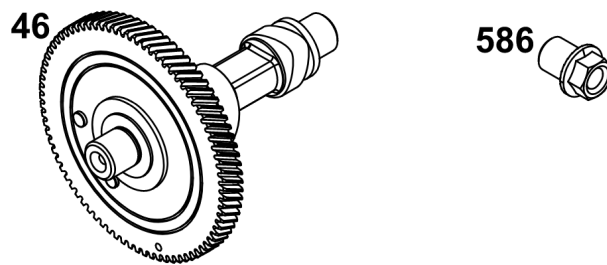
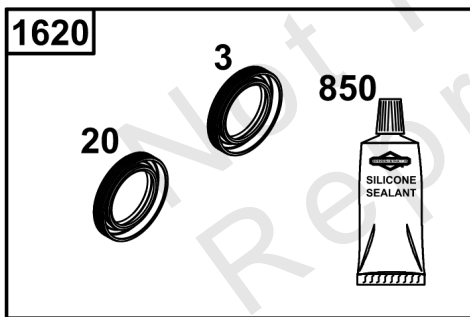
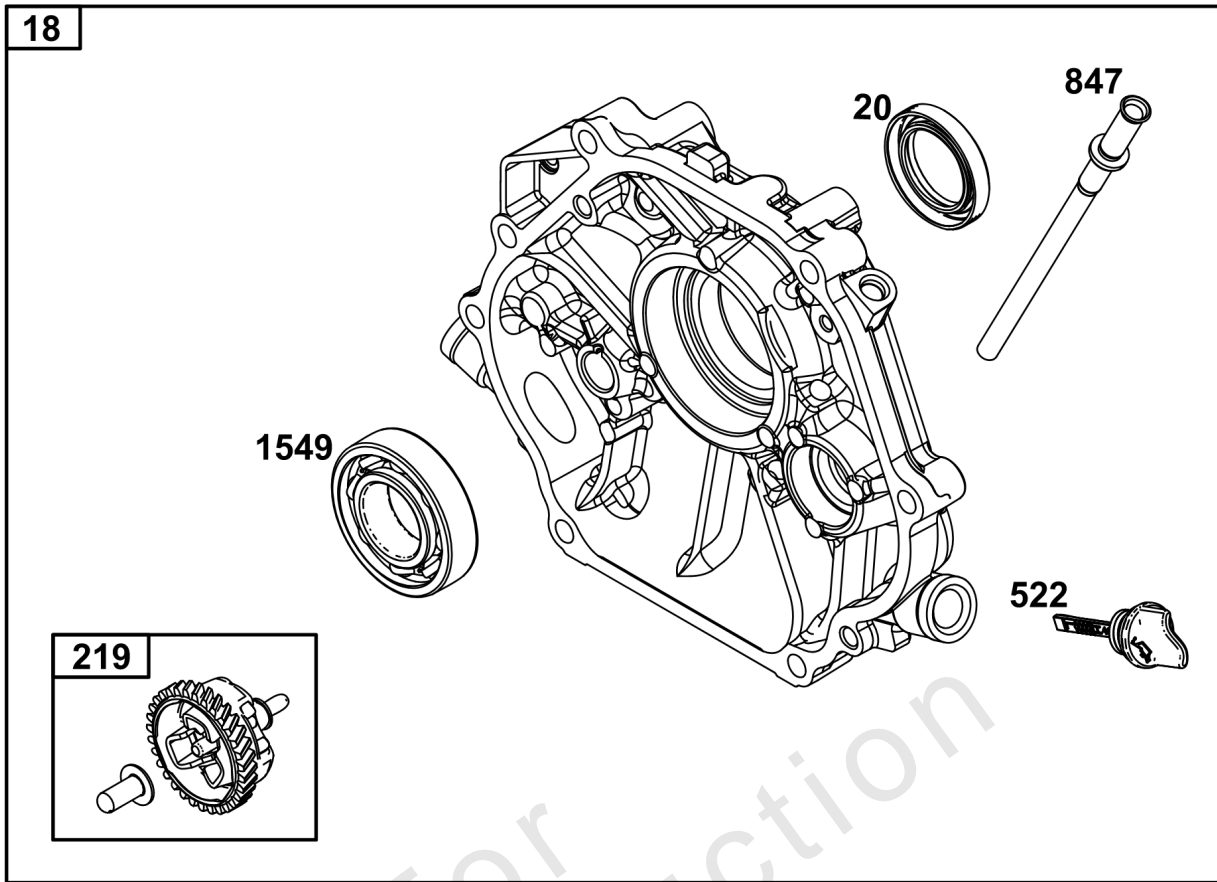
Carburetor Group

| REF NO | PART NO | QTY | DESCRIPTION |
|--------|----------|-----|--|
| 38 | 84004585 | 2 | SCREW -(Fuel Shut Off Valve) |
| 51 | ----- | 1 | GASKET, Intake -(Part information located in Cylinder Head Group.) |
| 51A | ----- | 1 | GASKET, Intake -(Part information located in Cylinder Head Group.) |
| 53 | 84004315 | 1 | STUD -(Carburetor) (Short) |
| 53A | 84004311 | 1 | STUD -(Carburetor) (Long) |
| 95 | 797161 | 2 | SCREW -(Throttle Valve) |
| 98 | 847139 | 1 | KIT, Idle Speed |
| 98 | 847139 | 1 | KIT, Idle Speed |
| 104 | 597533 | 1 | PIN, Float Hinge |
| 105 | 84004840 | 1 | VALVE, Float Needle |
| 105 | 84004840 | 1 | VALVE, Float Needle |
| 112 | 84003640 | 1 | SCREW -(Choke Lever) |
| 117 | 84004827 | 1 | JET, Main -(Standard) |
| 118 | 84004163 | 1 | JET, Main -(High Altitude) |
| 121 | 84004975 | 1 | KIT, Carburetor Overhaul -(Service Kits may include extra parts not specific to this engine.) |
| 122 | 84004306 | 1 | SPACER, Carburetor |
| 125 | 84004367 | 1 | CARBURETOR |
| 127 | 84004841 | 1 | PLUG, Welch |
| 130 | 84004397 | 1 | VALVE, Throttle |
| 131 | 84004396 | 1 | SEAL, Choke/Throttle Shaft |
| 133 | 84004822 | 1 | FLOAT, Carburetor |
| 137 | 84004205 | 1 | GASKET, Float Bowl |
| 163 | 84004165 | 1 | GASKET, Air Cleaner |
| 202 | ----- | 1 | LINK, Mechanical Governor -(Part information located in Controls Group.) |
| 203 | 597045 | 1 | CRANK, Bell |
| 205 | 84005081 | 1 | SCREW -(Bell Crank) |
| 216 | 84005080 | 1 | LINK, Choke |
| 254 | 595322 | 1 | DRAIN, Carburetor Bowl |
| 254 | 595322 | 1 | DRAIN, Carburetor Bowl |
| 276 | 797632 | 1 | WASHER, Sealing |
| 464 | 595320 | 1 | SEAL, O-Ring -(Fuel Shut-off Valve) |
| 472 | 84002963 | 1 | KNOB, Control |
| 633 | 84004398 | 1 | SEAL, Choke/Throttle Shaft |
| 680 | 84005074 | 1 | WASHER -(Choke Lever) |
| 951 | 84004369 | 1 | LEVER, Choke |
| 975 | 84004204 | 1 | BOWL, Float |



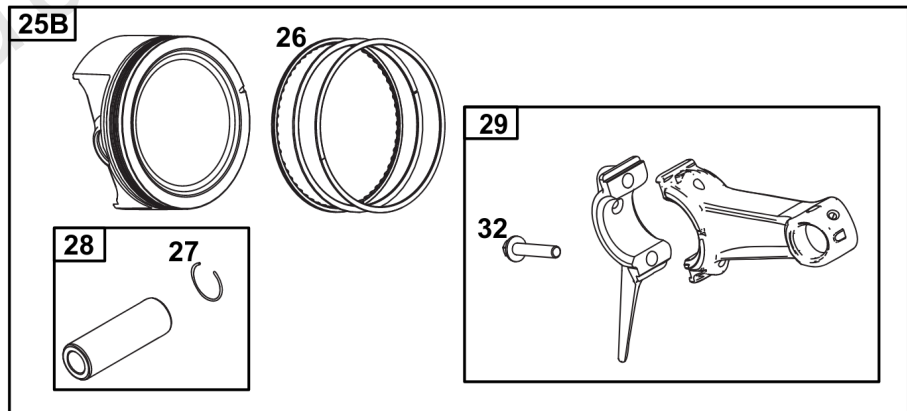
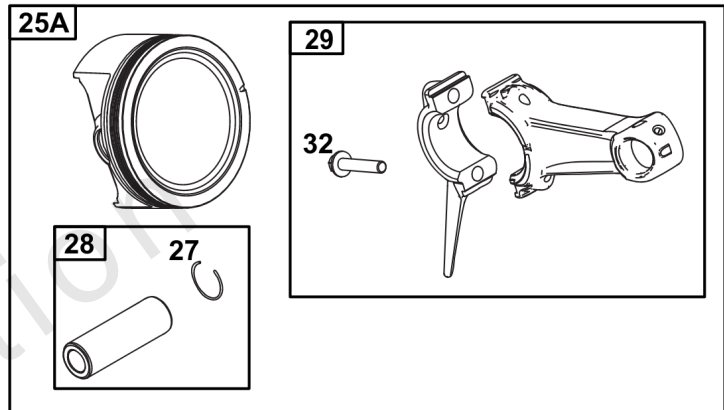
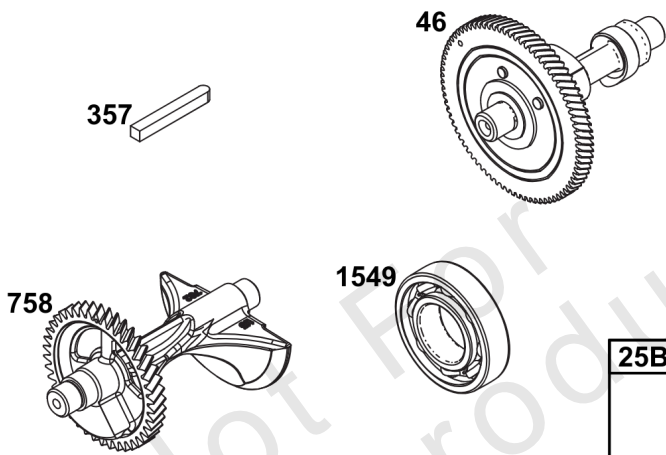
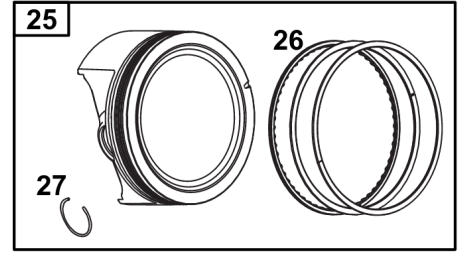
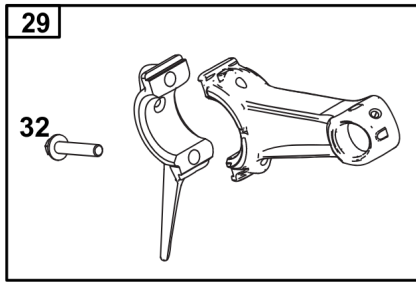
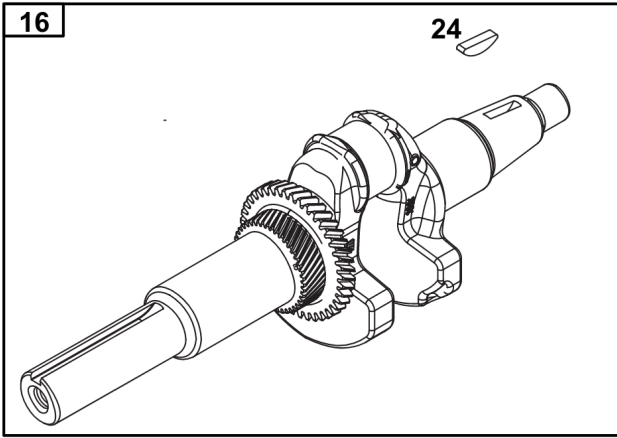
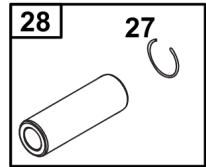
Controls Group

| REF NO | PART NO | QTY | DESCRIPTION |
|--------|----------|-----|---|
| 188 | 590850 | 1 | SCREW -(Control Bracket) |
| 188A | 597078 | 2 | SCREW -(Control Bracket) |
| 202 | 84004199 | 1 | LINK, Mechanical Governor |
| 209 | 84004151 | 1 | SPRING, Governor |
| 211 | 691278 | 1 | SPRING, Governor |
| 222 | 84004377 | 1 | BRACKET, Control |
| 227 | 84004195 | 1 | LEVER, Governor Control |
| 265 | 691024 | 2 | CLAMP, Casing |
| 265A | 84004472 | 1 | CLAMP, Casing |
| 267 | 597027 | 2 | SCREW -(Casing Clamp) |
| 267A | 84004279 | 1 | SCREW -(Casing Clamp) |
| 271 | 84005003 | 1 | LEVER, Control |
| 281 | 84004262 | 1 | PANEL, Control |
| 286 | 84002122 | 1 | MODULE, Oil Sensor |
| 410 | 84004137 | 1 | LINK, Control |
| 410A | 84004131 | 1 | LINK, Control |
| 410B | 84004149 | 1 | LINK, Control |
| 427 | 84004395 | 1 | NUT -(Control Bracket) |
| 485 | 84002965 | 1 | KNOB, CONTROL |
| 504 | 84004943 | 1 | SET, Friction Washer |
| 505 | 590641 | 1 | NUT -(Governor Control Lever) |
| 562 | 597121 | 1 | BOLT -(Governor Control Lever) |
| 586 | ----- | 1 | NUT -(Part information located in Crankcase Cover/Sump and Lubrication Group.) |
| 621 | 84007989 | 1 | SWITCH, Stop |
| 629 | 84004146 | 1 | SPRING, Throttle Return |
| 663 | 84004256 | 1 | SCREW -(Control Panel) |
| 663A | 597460 | 1 | SCREW -(Control Panel) |
| 668 | 84004140 | 1 | SPACER |
| 1012 | 84004145 | 3 | RETAINER, Link |
| 1012A | 84004144 | 2 | RETAINER, Link |
| 1054 | 280275 | 1 | TIE, Cable |
| 1305 | 590850 | 1 | SCREW -(Oil Sensor Module) |
| 1515 | 590692 | 3 | NUT -(Control Panel) |
| 1568 | 84005001 | 2 | RETAINER, Wire |
| 1569 | 84005002 | 1 | KIT, Fixed Speed |
| 1571 | 84004201 | 1 | BRACKET, Governed Idle Spring |
| 1572 | 597036 | 1 | SCREW -(Governed Idle Spring Bracket) |



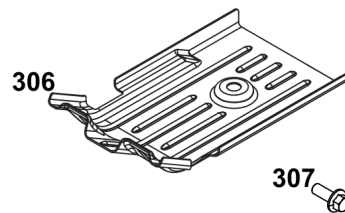
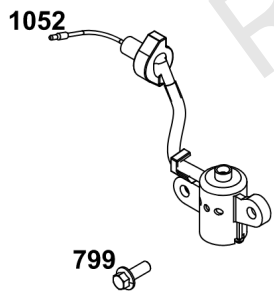
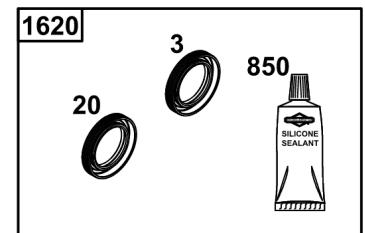
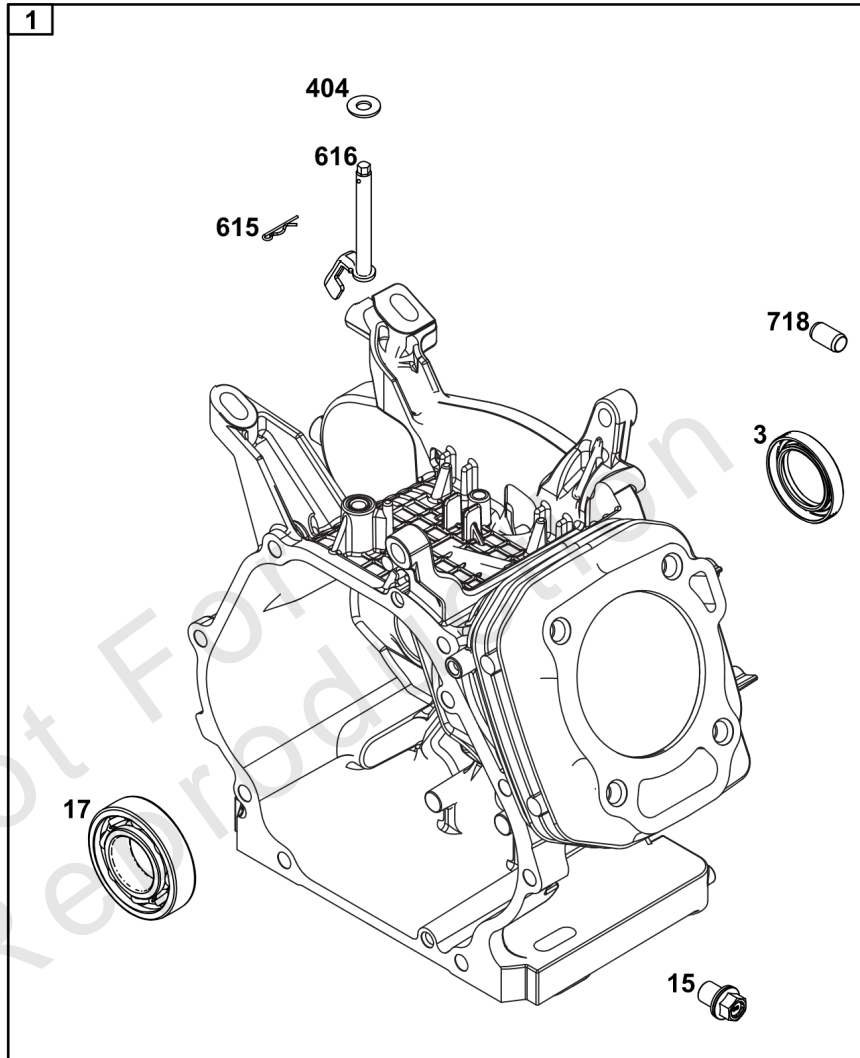
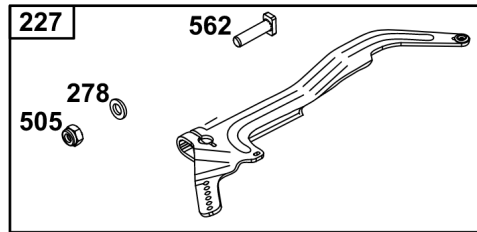
Crankcase Cover/Sump and Lubrication Group

| REF NO | PART NO | QTY | DESCRIPTION |
|---------------|----------------|------------|---|
| 3 | ----- | 1 | SEAL, Oil -(Part information located in Cylinder Group.) |
| 18 | 84004477 | 1 | COVER, Crankcase |
| 20 | 84004101 | 1 | SEAL, Oil -(PTO Side) |
| 22 | 84004103 | 7 | SCREW -(Crankcase Cover/Sump) |
| 46 | ----- | 1 | CAMSHAFT -(Part information located in Crankshaft Group.) |
| 219 | 84004200 | 1 | GEAR, Governor |
| 522 | 84004104 | 2 | PLUG, Dipstick/Fill |
| 523 | 84004105 | 1 | DIPSTICK |
| 586 | 84004724 | 1 | NUT -(Oil Sensor) |
| 718A | ----- | 2 | PIN, Locating -(Part information located in Cylinder Group.) |
| 847 | 84004831 | 1 | DIPSTICK/TUBE ASSEMBLY |
| 850 | ----- | 1 | SEALANT, Liquid -(Part information located in Cylinder Group.) |
| 1549 | ----- | 1 | BEARING, Ball -(Part information located in Crankshaft Group.) |
| 1620 | 84008367 | 1 | GASKET SET, Crankcase |



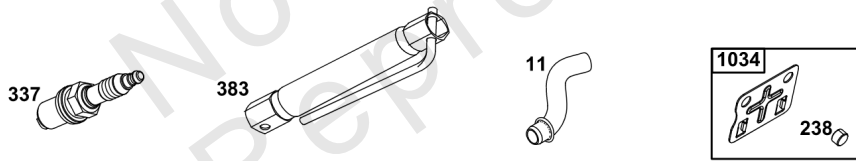
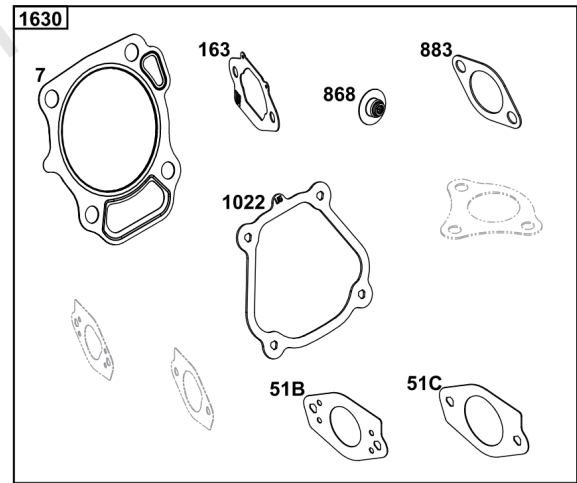
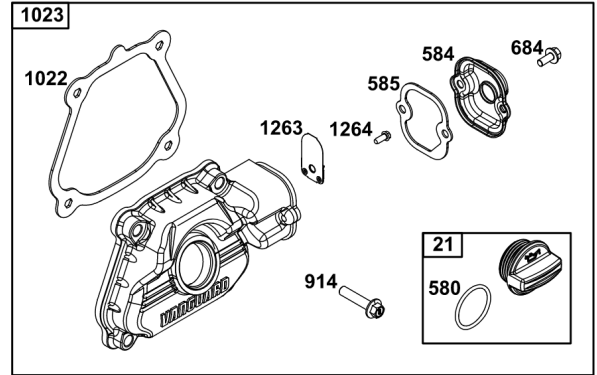
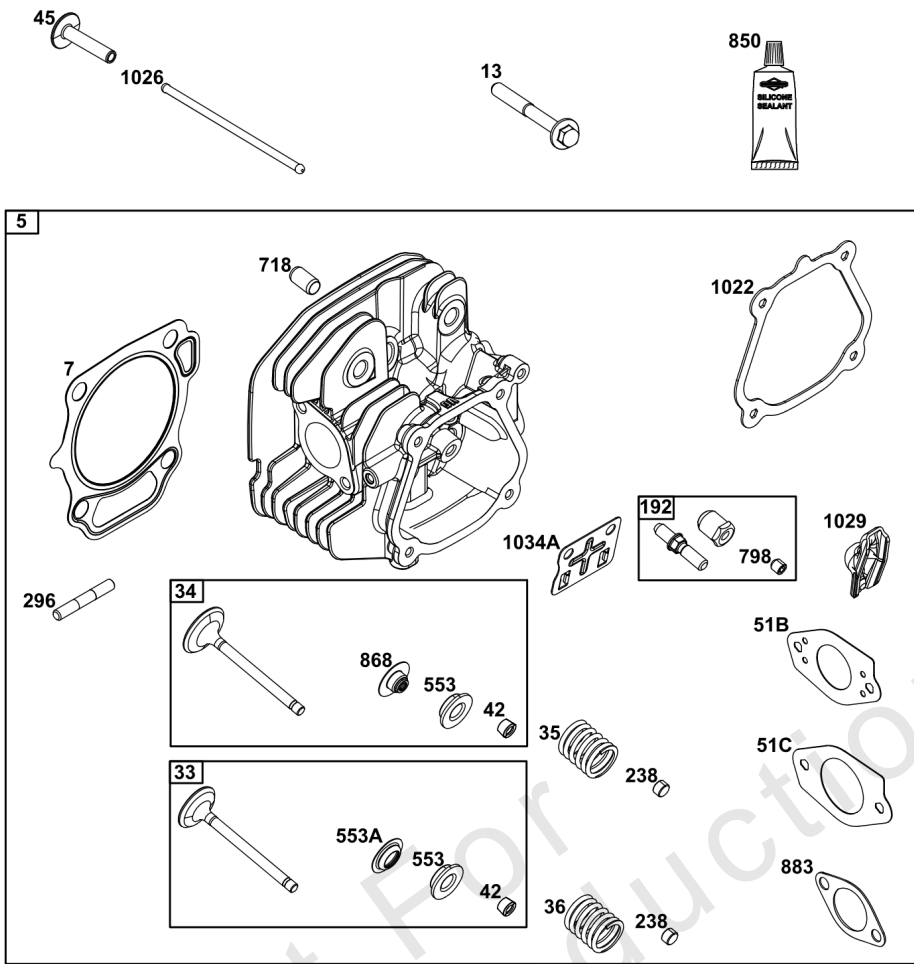
Crankshaft Group

| REF NO | PART NO | QTY | DESCRIPTION |
|--------|----------|-----|--|
| 16 | 84003577 | 1 | CRANKSHAFT |
| 24 | 596976 | 1 | KEY, Flywheel |
| 25 | 84005038 | 1 | PISTON ASSEMBLY -(Use After Date Code 20120700) |
| 25 | 84005037 | 1 | PISTON ASSEMBLY -(.020" Oversize) (Use After Date Code 20120700) |
| 25A | 84006577 | 1 | PISTON ASSEMBLY -(Use Before Date Code 20120800) |
| 25B | 84006578 | 1 | PISTON ASSEMBLY -(.020" Oversize) (Use Before Date Code 20120800) |
| 26 | 84004091 | 1 | SET, Ring |
| 26 | 84004097 | 1 | SET, Ring -(.020" Oversize) |
| 27 | 84005040 | 2 | LOCK, Piston Pin |
| 28 | 84005039 | 1 | PIN, Piston -(Use After Date Code 20120700) |
| 29 | 84005041 | 1 | ROD, Connecting -(Use After Date Code 20120700) |
| 32 | 596984 | 2 | SCREW -(Connecting Rod) |
| 46 | 84005044 | 1 | CAMSHAFT |
| 357 | 590960 | 1 | KEY, Drive Pulley |
| 758 | 84004464 | 1 | COUNTERWEIGHT |
| 1549 | 84003459 | 1 | BEARING, BALL -(Crankshaft) |



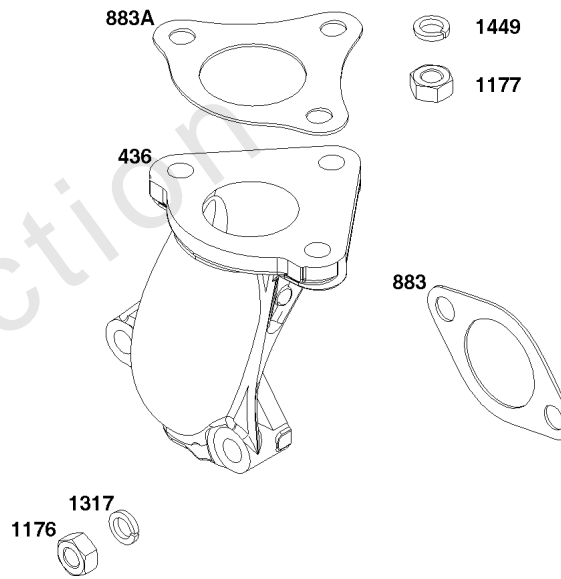
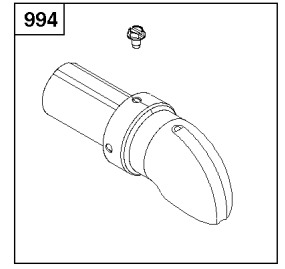
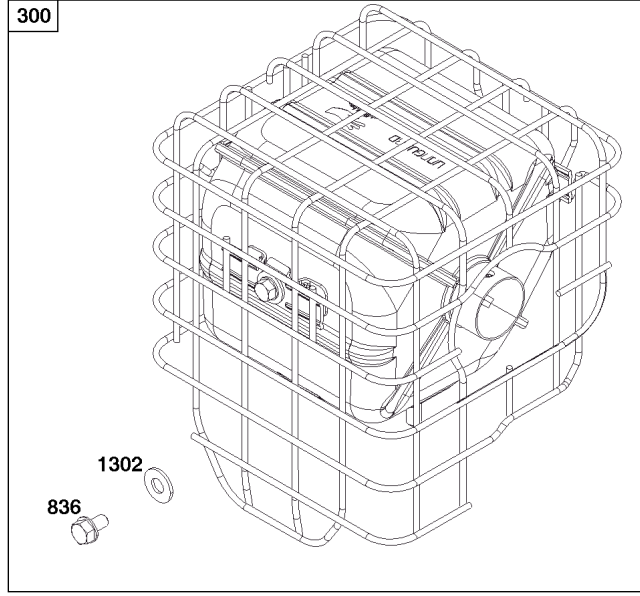
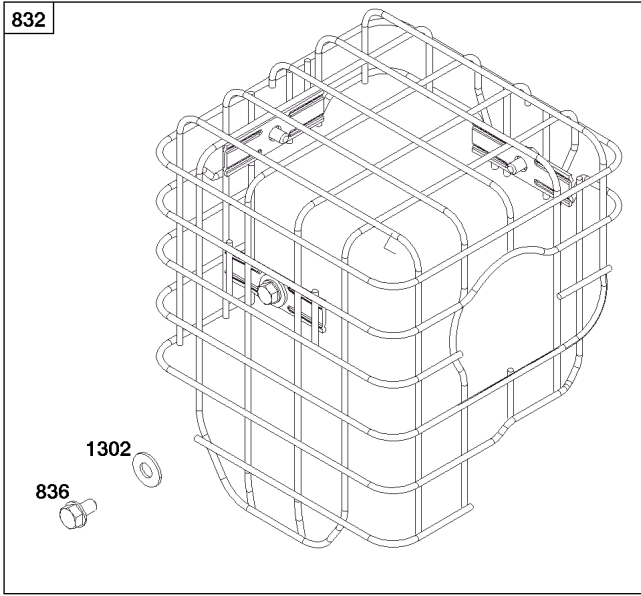
Cylinder Group

| REF NO | PART NO | QTY | DESCRIPTION |
|--------|----------|-----|---|
| 1 | 84004371 | 1 | CYLINDER ASSEMBLY |
| 3 | 84004101 | 1 | SEAL, Oil -(Magneto Side) |
| 15 | 84004108 | 2 | PLUG, Oil Drain |
| 17 | 84004100 | 1 | BEARING, Ball -(Cylinder) |
| 20 | ----- | 1 | SEAL, Oil -(Part information located in Crankcase Cover/Sump and Lubrication Group.) |
| 227 | ----- | 1 | LEVER, Governor Control -(Part information located in Controls Group.) |
| 278 | ----- | 1 | WASHER -(Part information located in Controls Group.) |
| 306 | 84004123 | 1 | SHIELD, Cylinder |
| 307 | 590850 | 1 | SCREW -(Cylinder Shield) |
| 404 | 84004197 | 1 | WASHER -(Governor Crank) |
| 505 | ----- | 1 | NUT -(Part information located in Controls Group.) |
| 562 | ----- | 1 | BOLT -(Part information located in Controls Group.) |
| 586 | ----- | 1 | NUT -(Part information located in Crankcase Cover/Sump and Lubrication Group.) |
| 615 | 84004198 | 1 | RETAINER, Governor Shaft |
| 616 | 84004196 | 1 | CRANK, Governor |
| 718 | 84004120 | 2 | PIN, Locating |
| 718A | 590713 | 2 | PIN, Locating |
| 799 | 590703 | 2 | SCREW -(Oil Sensor) |
| 850 | 100106 | 1 | SEALANT, Liquid |
| 1052 | 590671 | 1 | SENSOR, Oil |
| 1620 | ----- | 1 | GASKET SET, Crankcase -(Part information located in Crankcase Cover/Sump Group.) |



Cylinder Head Group

| REF NO | PART NO | QTY | DESCRIPTION |
|--------|----------|-----|---|
| 5 | 84005042 | 1 | HEAD, Cylinder |
| 7 | 84004760 | 1 | GASKET, Cylinder Head |
| 11 | 84004125 | 1 | TUBE, Breather |
| 13 | 84004122 | 4 | SCREW -(Cylinder Head) |
| 21 | 597014 | 1 | CAP, Oil Fill |
| 33 | 84004114 | 1 | VALVE, Exhaust |
| 34 | 84004113 | 1 | VALVE, Intake |
| 35 | 84004112 | 2 | SPRING, Valve -(Intake) |
| 36 | 84004112 | 2 | SPRING, Valve -(Exhaust) |
| 42 | 84004116 | 4 | KEEPER, Valve |
| 45 | 84004130 | 2 | TAPPET, Valve |
| 51B | 84004164 | 1 | GASKET, Intake |
| 51C | 84004166 | 1 | GASKET, Intake |
| 163 | ----- | 1 | GASKET, Air Cleaner -(Part information located in Carburetor Group.) |
| 192 | 597006 | 2 | ADJUSTER, Rocker Arm |
| 238 | 84004109 | 2 | CAP, Valve |
| 296 | 84004119 | 2 | STUD -(Muffler) |
| 337 | 597383 | 1 | PLUG, Spark |
| 383 | 19576S | 1 | WRENCH, Spark Plug |
| 553 | 84004117 | 2 | RETAINER, Valve Spring |
| 553A | 84004118 | 1 | RETAINER, Valve Spring |
| 580 | 809894 | 1 | SEAL, O-Ring -(Oil Fill Cap) |
| 584 | 597011 | 1 | COVER, Breather Passage |
| 585 | 597010 | 1 | GASKET, Breather Passage |
| 684 | 597012 | 2 | SCREW -(Breather Passage Cover) |
| 718 | ----- | 2 | PIN, Locating -(Part information located in Cylinder Group.) |
| 798 | 597000 | 2 | SCREW -(Rocker Arm) |
| 850 | ----- | 1 | SEALANT, Liquid -(Part information located in Cylinder Group.) |
| 868 | 84004111 | 1 | SEAL, Valve |
| 883 | ----- | 1 | GASKET, Exhaust -(Part information located in Exhaust Group.) |
| 914 | 597016 | 4 | SCREW -(Rocker Cover) |
| 1022 | 84004126 | 1 | GASKET, Rocker Cover |
| 1023 | 84004124 | 1 | COVER, Rocker |
| 1026 | 84004129 | 2 | ROD, Push |
| 1029 | 84004110 | 2 | ARM, Rocker |
| 1034 | 84006550 | 1 | GUIDE, Push Rod -Used Before Code Date 20092400 |
| 1034A | 84005043 | 1 | GUIDE, Push Rod -Used After Code Date 20092300 |
| 1263 | 697124 | 1 | REED, Breather |
| 1264 | 793453 | 1 | SCREW -(Breather Reed) |
| 1630 | 84012627 | 1 | GASKET SET, Valve -(Service Kits can include parts not for this engine.) |

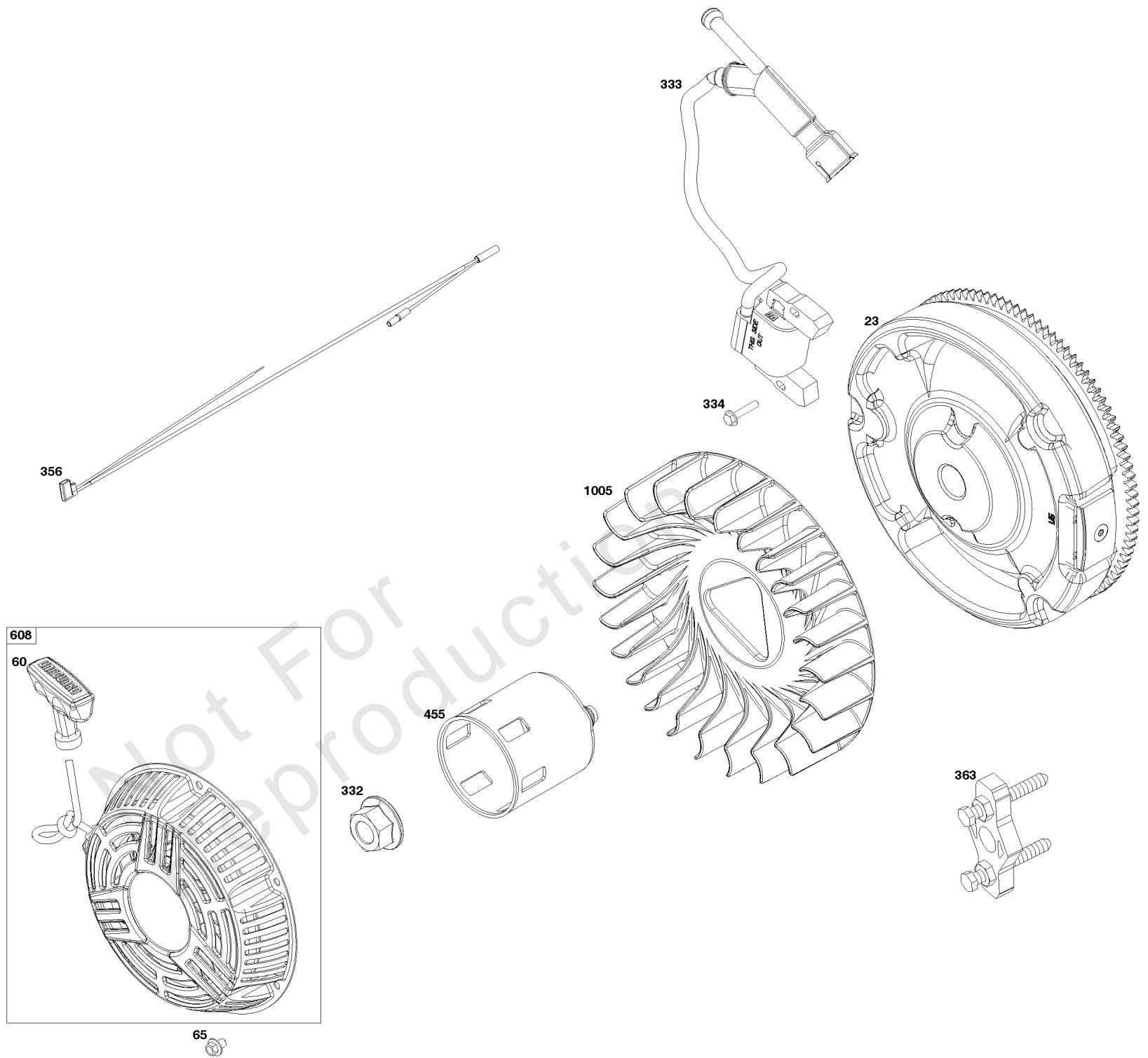


Not For
Reproduction

Exhaust Group

| REF NO | PART NO | QTY | DESCRIPTION |
|--------|----------|-----|-------------------------------|
| 300 | 84004467 | 1 | MUFFLER |
| 436 | 84004461 | 1 | MANIFOLD, Exhaust |
| 832 | 84004465 | 1 | GUARD, Muffler |
| 836 | 699491 | 3 | SCREW -(Muffler Guard) |
| 883A | 84004280 | 1 | GASKET, Exhaust |
| 883 | 84004409 | 1 | GASKET, Exhaust |
| 994 | 593207 | 1 | ARRESTOR, Spark |
| 1176 | 590632 | 2 | NUT -(Exhaust Manifold) |
| 1177 | 590632 | 3 | NUT -(Muffler) |
| 1302 | 84004197 | 3 | WASHER -(Muffler Guard) |
| 1317 | 590633 | 2 | WASHER -(Exhaust Manifold) |
| 1449 | 590633 | 3 | WASHER -(Muffler) |

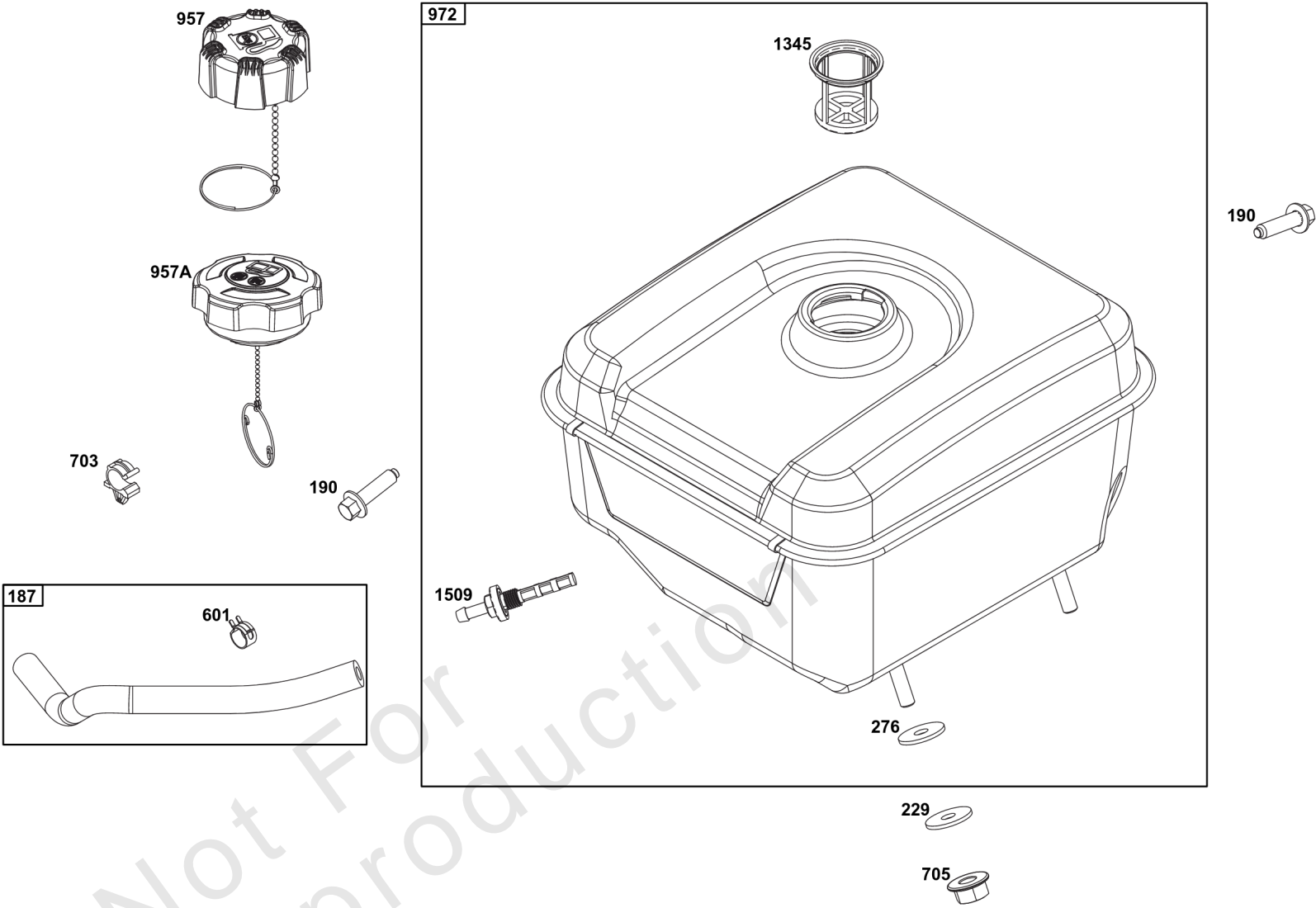
Not For Reproduction



Flywheel, Ignition, and Starter Group

| REF NO | PART NO | QTY | DESCRIPTION |
|--------|----------|-----|------------------------------|
| 23 | 84004284 | 1 | FLYWHEEL |
| 60 | 597080 | 1 | GRIP, Starter Rope |
| 65 | 590683 | 3 | SCREW -(Rewind Starter) |
| 332 | 591988 | 1 | NUT -(Flywheel) |
| 333 | 84004162 | 1 | ARMATURE, Magneto |
| 334 | 699477 | 2 | SCREW -(Magneto Armature) |
| 356 | 84004209 | 1 | WIRE, Stop |
| 363 | 19203 | 1 | PULLER, Flywheel |
| 455 | 84004287 | 1 | CUP, Flywheel |
| 608 | 84004174 | 1 | STARTER, Rewind |
| 1005 | 84004286 | 1 | FAN, Flywheel |

Not For Reproduction



Fuel Supply Group

| REF NO | PART NO | QTY | DESCRIPTION |
|--------|----------|-----|---|
| 187 | 84004224 | 1 | LINE, Fuel |
| 190 | 84004226 | 2 | SCREW -(Fuel Tank) |
| 229 | 84004227 | 2 | WASHER -(Fuel Tank) |
| 276 | 84004253 | 2 | WASHER, Sealing |
| 601 | 791850 | 2 | CLAMP, Hose |
| 703 | 590967 | 1 | CLIP |
| 705 | 707919 | 2 | NUT -(Fuel Tank) |
| 957 | 596765 | 1 | CAP, Fuel Tank -Used Before Code Date 22010100 |
| 957A | 84007570 | 1 | CAP, Fuel Tank -Used After Code Date 21123100 |
| 972 | 84004212 | 1 | TANK, Fuel |
| 1345 | 792917 | 1 | FILTER, Filler Neck |
| 1509 | 797346 | 1 | OUTLET, Tank |

Not For Reproduction

Replacement Engine - US & Canada

| REF NO | PART NO | QTY | DESCRIPTION |
|--------|--------------|-----|-------------------------|
| | 25V3320005F1 | 1 | Replacement Engine |
| | ----- | | Idle Speed: 1450 |
| | ----- | | Top No-Load Speed: 3600 |

Not For Reproduction

WANGUARD[®]

COMMERCIAL POWER



BRIGGS & STRATTON[®]