

(en) *Operator's Manual*

(bg) *Инструкции за експлоатация*

(cs) *Návod k obsluze*

(et) *Kasutusjuhend*

(hr) *Priručnik za operatora*

(hu) *Kezelési útmutató*

(it) *Naudojimo instrukcija*

(lv) *Operatora rokasgrāmata*

(pl) *Instrukcja obsługi*

(ro) *Manual de utilizare*

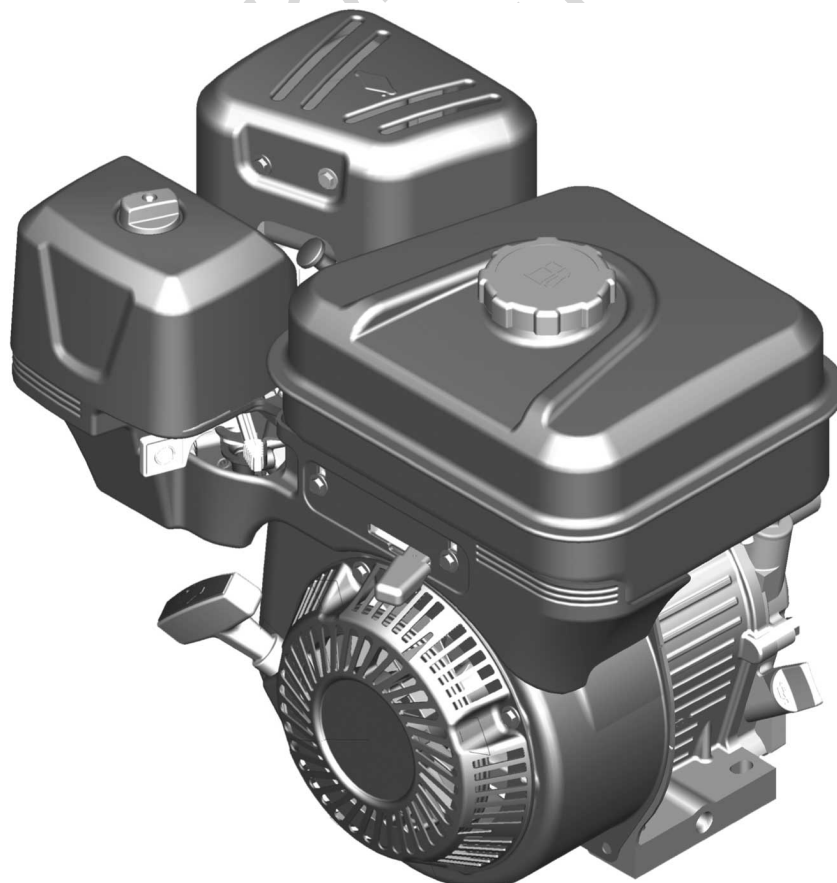
(ru) *Руководство по эксплуатации*

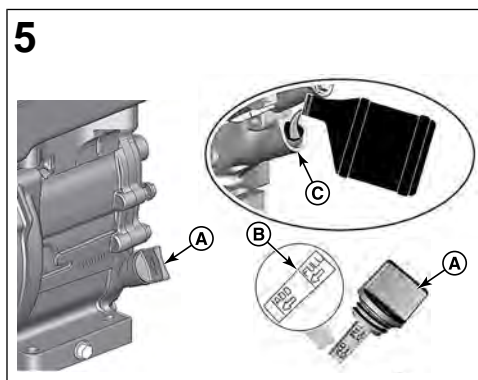
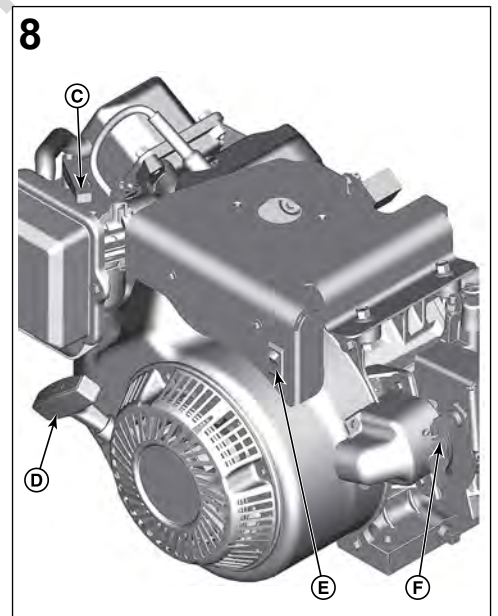
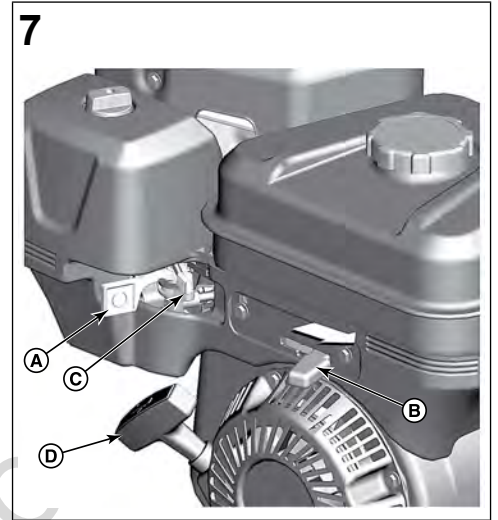
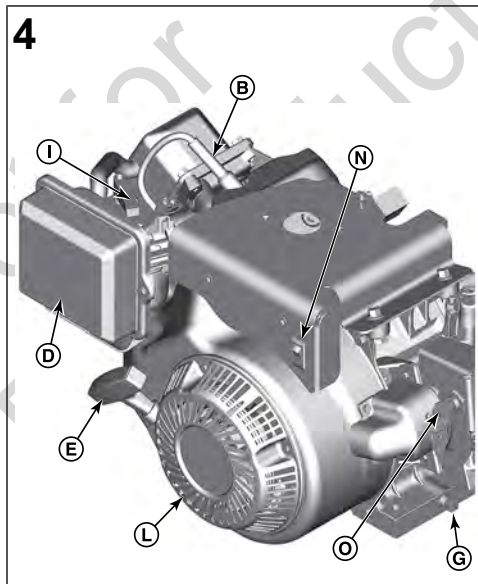
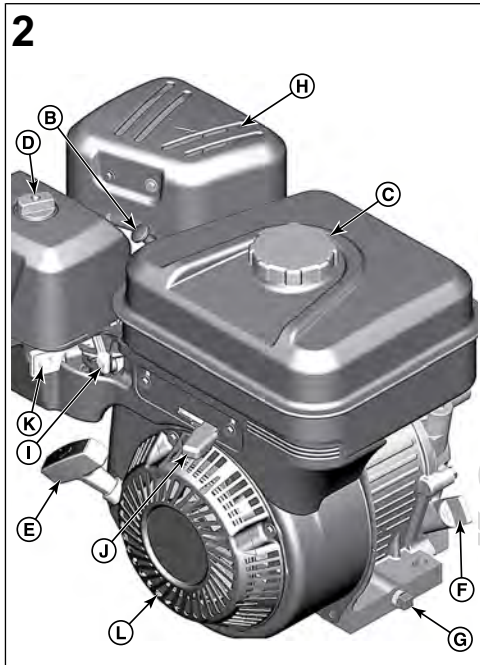
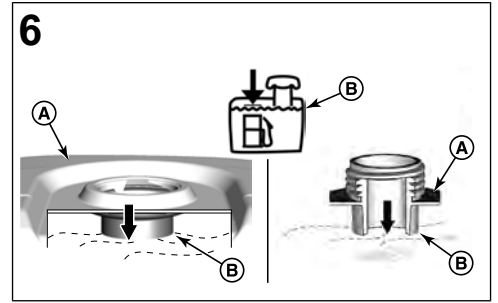
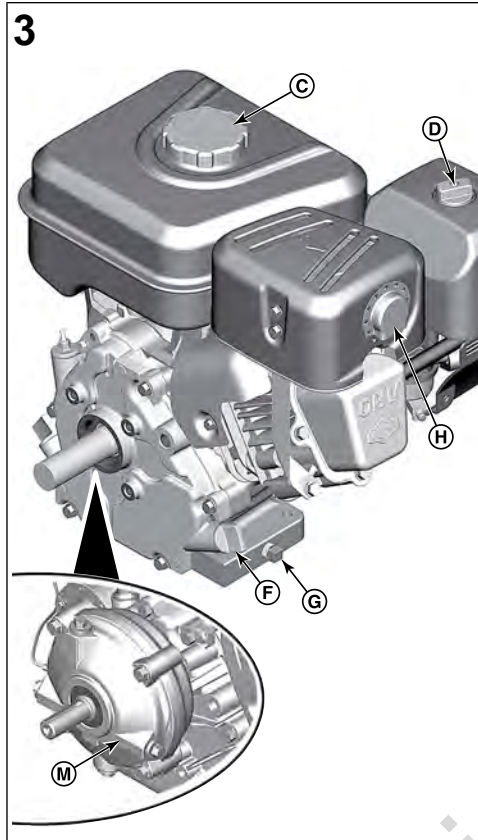
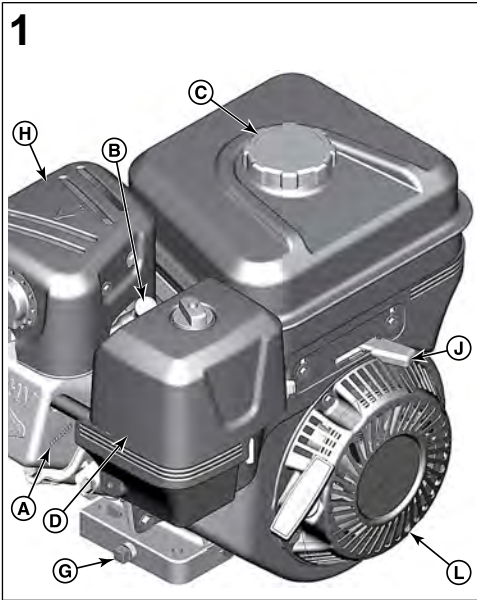
(sk) *Pokyny na obsluhu a údržbu*

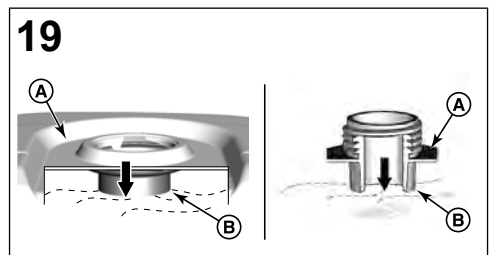
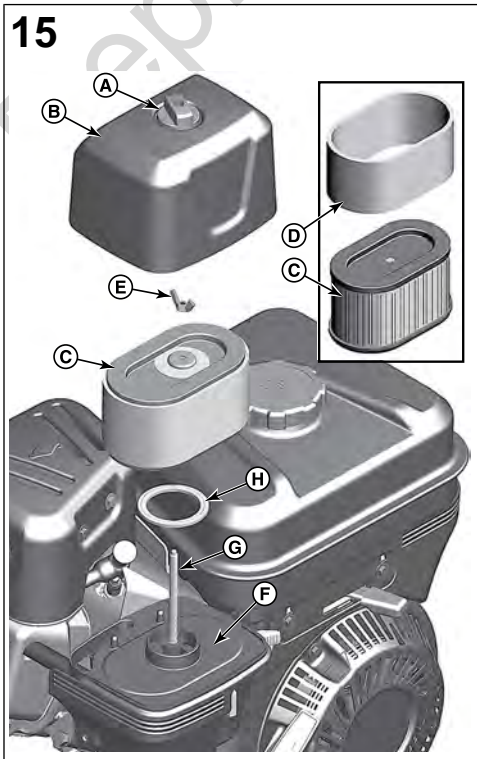
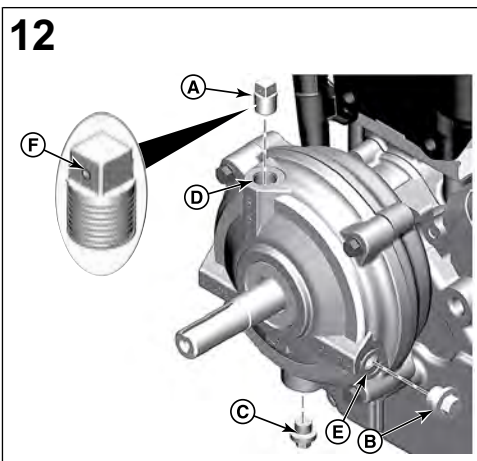
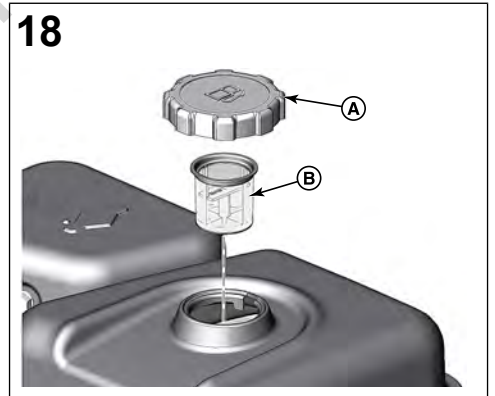
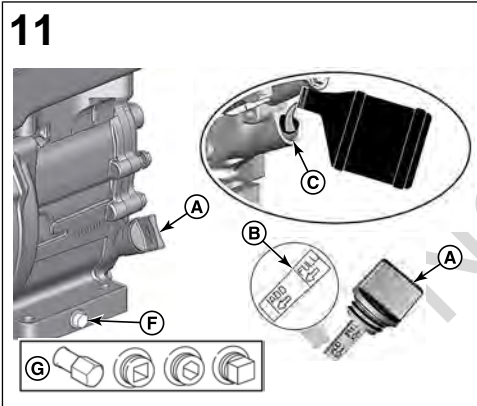
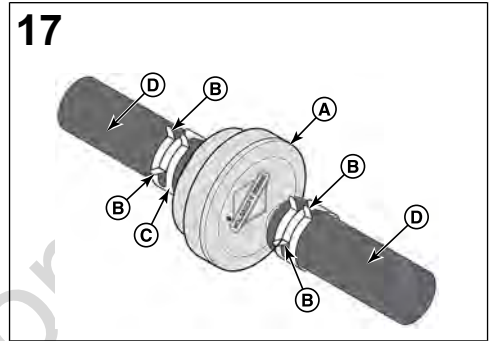
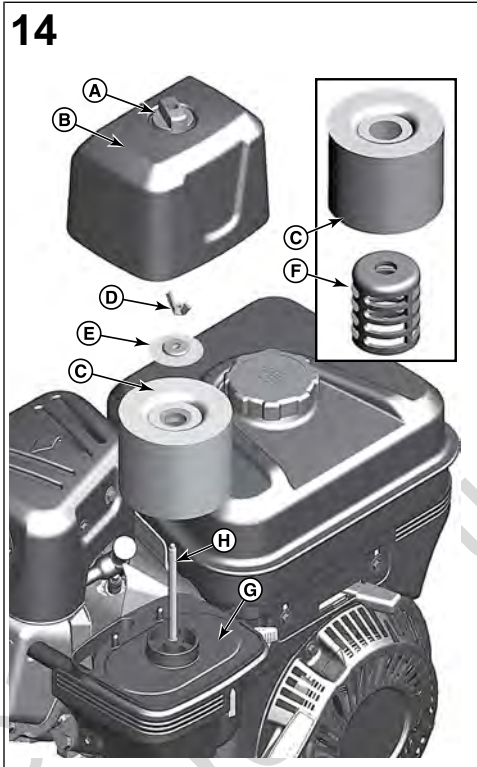
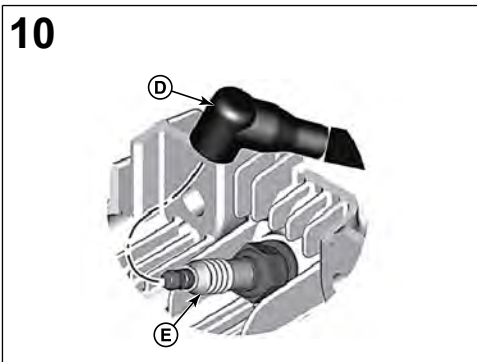
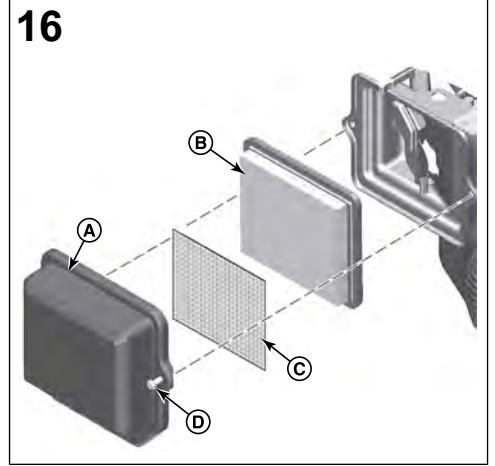
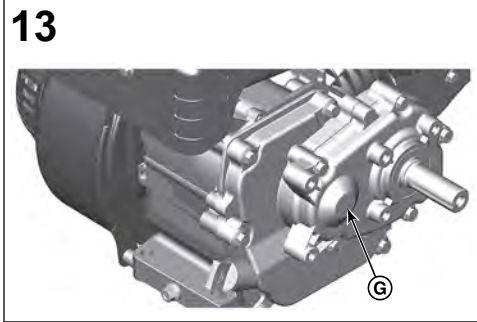
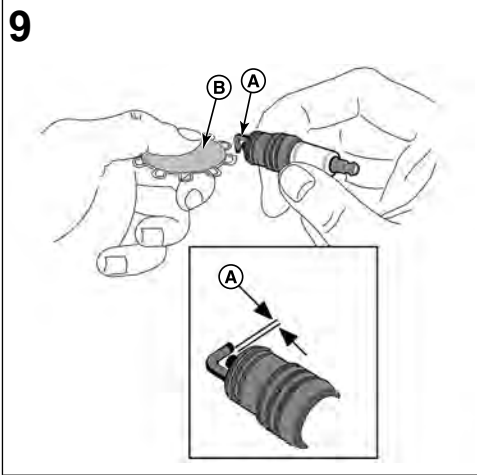
(sl) *Priročnik za uporabo*

(tr) *Kullanma Kılavuz*

Models: 130000
190000







This manual contains safety information to make you aware of the hazards and risks associated with engines and how to avoid them. It also contains instructions for the proper use and care of the engine. Because Briggs & Stratton Corporation does not necessarily know what equipment this engine will power, it is important that you read and understand these instructions and the instructions for the equipment. **Save these original instructions for future reference.**

Note: The figures and illustrations in this manual are provided for reference only and may differ from your specific model. Contact your dealer if you have questions.

For replacement parts or technical assistance, record below the engine model, type, and code numbers along with the date of purchase. These numbers are located on your engine (see the **Features and Controls** section).

Date of Purchase	
Engine Model - Type - Trim	
Engine Serial Number	

Look for the 2D barcode located on some engines. When viewed with a 2D-capable device, the code will bring up our website where you can access support information for this product. Data rates apply. Some countries may not have online support information available.



Recycling Information

		All packaging, used oil, and batteries should be recycled according to applicable government regulations.
--	--	---

Operator Safety

Safety Alert Symbol and Signal Words

The safety alert symbol is used to identify safety information about hazards that can result in personal injury. A signal word (DANGER, WARNING, or CAUTION) is used with the alert symbol to indicate the likelihood and the potential severity of injury. In addition, a hazard symbol may be used to represent the type of hazard.

DANGER indicates a hazard which, if not avoided, **will result in death or serious injury.**

WARNING indicates a hazard which, if not avoided, **could result in death or serious injury.**

CAUTION indicates a hazard which, if not avoided, **could result in minor or moderate injury.**

NOTICE indicates an situation that **could result in damage to the product.**

Hazard Symbols and Meanings

Symbol	Meaning	Symbol	Meaning
	Safety information about hazards that can result in personal injury.		Read and understand the Operator's Manual before operating or servicing the unit.
	Fire hazard		Explosion hazard

Symbol	Meaning	Symbol	Meaning
	Shock hazard		Toxic fume hazard
	Hot surface hazard		Noise hazard - Ear protection recommended for extended use.
	Thrown object hazard - Wear eye protection.		Explosion hazard
	Frostbite hazard		Kickback hazard
	Amputation hazard - moving parts		Chemical Hazard
	Thermal heat hazard		Corrosive

Safety Messages



WARNING

Certain components in this product and its related accessories contain chemicals known to the State of California to cause cancer, birth defects, or other reproductive harm. Wash hands after handling.



WARNING

The engine exhaust from this product contains chemicals known to the State of California to cause cancer, birth defects, or other reproductive harm.



WARNING

Briggs & Stratton Engines are not designed for and are not to be used to power: fun-karts; go-karts; children's, recreational, or sport all-terrain vehicles (ATVs); motorbikes; hovercraft; aircraft products; or vehicles used in competitive events not sanctioned by Briggs & Stratton. For information about competitive racing products, see www.briggsracing.com. For use with utility and side-by-side ATVs, please contact Briggs & Stratton Engine Application Center, 1-866-927-3349. Improper engine application may result in serious injury or death.



WARNING



Fuel and its vapors are extremely flammable and explosive.

Fire or explosion can cause severe burns or death.

When Adding Fuel

- Turn engine off and let engine cool at least 2 minutes before removing the fuel cap.
- Fill fuel tank outdoors or in well-ventilated area.
- Do not overfill fuel tank. To allow for expansion of the fuel, do not fill above the bottom of the fuel tank neck.
- Keep fuel away from sparks, open flames, pilot lights, heat, and other ignition sources.
- Check fuel lines, tank, cap, and fittings frequently for cracks or leaks. Replace if necessary.
- If fuel spills, wait until it evaporates before starting engine.

When Starting Engine

- Ensure that spark plug, muffler, fuel cap and air cleaner (if equipped) are in place and secured.
- Do not crank engine with spark plug removed.
- If engine floods, set choke (if equipped) to OPEN / RUN position, move throttle (if equipped) to FAST position and crank until engine starts.

When Operating Equipment

- Do not tip engine or equipment at angle which causes fuel to spill.
- Do not choke the carburetor to stop engine.
- Never start or run the engine with the air cleaner assembly (if equipped) or the air filter (if equipped) removed.

When Changing Oil

- If you drain the oil from the top oil fill tube, the fuel tank must be empty or fuel can leak out and result in a fire or explosion.

When Tipping Unit for Maintenance

- When performing maintenance that requires the unit to be tipped, the fuel tank, if mounted on the engine, must be empty or fuel can leak out and result in a fire or explosion.

When Transporting Equipment

- Transport with fuel tank EMPTY or with fuel shut-off valve in the CLOSED position.

When Storing Fuel Or Equipment With Fuel In Tank

- Store away from furnaces, stoves, water heaters or other appliances that have pilot lights or other ignition sources because they can ignite fuel vapors.



Starting engine creates sparking.

Sparking can ignite nearby flammable gases.

Explosion and fire could result.

- If there is natural or LP gas leakage in area, do not start engine.
- Do not use pressurized starting fluids because vapors are flammable.



POISONOUS GAS HAZARD. Engine exhaust contains carbon monoxide, a poisonous gas that could kill you in minutes. You CANNOT see it, smell it, or taste it. Even if you do not smell exhaust fumes, you could still be exposed to carbon monoxide gas. If you start to feel sick, dizzy, or weak while using this product, get to fresh air RIGHT AWAY. See a doctor. You may have carbon monoxide poisoning.

- Operate this product ONLY outside far away from windows, doors and vents to reduce the risk of carbon monoxide gas from accumulating and potentially being drawn towards occupied spaces.
- Install battery-operated carbon monoxide alarms or plug-in carbon monoxide alarms with battery back-up according to the manufacturer's instructions. Smoke alarms cannot detect carbon monoxide gas.
- DO NOT run this product inside homes, garages, basements, crawlspaces, sheds, or other partially-enclosed spaces even if using fans or opening doors and windows for ventilation. Carbon monoxide can quickly build up in these spaces and can linger for hours, even after this product has shut off.
- ALWAYS place this product downwind and point the engine exhaust away from occupied spaces.



Rapid retraction of starter cord (kickback) will pull hand and arm toward engine faster than you can let go.

Broken bones, fractures, bruises or sprains could result.

- When starting engine, pull the starter cord slowly until resistance is felt and then pull rapidly to avoid kickback.
- Remove all external equipment / engine loads before starting engine.
- Direct-coupled equipment components such as, but not limited to, blades, impellers, pulleys, sprockets, etc., must be securely attached.



Rotating parts can contact or entangle hands, feet, hair, clothing, or accessories.

Traumatic amputation or severe laceration can result.

- Operate equipment with guards in place.
- Keep hands and feet away from rotating parts.
- Tie up long hair and remove jewelry.
- Do not wear loose-fitting clothing, dangling drawstrings or items that could become caught.



Running engines produce heat. Engine parts, especially muffler, become extremely hot.

Severe thermal burns can occur on contact.

Combustible debris, such as leaves, grass, brush, etc. can catch fire.

- Allow muffler, engine cylinder and fins to cool before touching.
- Remove accumulated debris from muffler area and cylinder area.
- It is a violation of California Public Resource Code, Section 4442, to use or operate the engine on any forest-covered, brush-covered, or grass-covered land unless the exhaust system is equipped with a spark arrester, as defined in Section 4442, maintained in effective working order. Other states or federal jurisdictions may have similar laws. Contact the original equipment manufacturer, retailer, or dealer to obtain a spark arrester designed for the exhaust system installed on this engine.



Unintentional sparking can result in fire or electric shock.

Unintentional start-up can result in entanglement, traumatic amputation, or laceration.

Fire hazard

Before performing adjustments or repairs:

- Disconnect the spark plug wire and keep it away from the spark plug.
- Disconnect battery at negative terminal (only engines with electric start.)
- Use only correct tools.
- Do not tamper with governor spring, links or other parts to increase engine speed.
- Replacement parts must be of the same design and installed in the same position as the original parts. Other parts may not perform as well, may damage the unit, and may result in injury.
- Do not strike the flywheel with a hammer or hard object because the flywheel may later shatter during operation.

When testing for spark:

- Use approved spark plug tester.
- Do not check for spark with spark plug removed.

Features and Controls

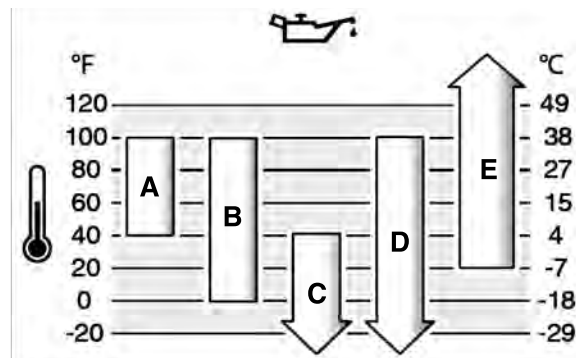
Engine Controls

Compare the illustration (Figure: 1, 2, 3, 4) with your engine to familiarize yourself with the location of various features and controls.

- Engine Identification Numbers **Model - Type - Code**
- Spark Plug
- Fuel Tank and Cap
- Air Cleaner
- Starter Cord Handle
- Oil Fill and Dipstick
- Oil Drain Plug
- Muffler, Muffler Guard (if equipped), Spark Arrester (if equipped)

- I. Choke Control
- J. Throttle Control (if equipped)
- K. TransportGuard™ - Fuel and Ignition Lever
- L. Air Intake Grille
- M. Gear Reduction Unit (if equipped)
- N. Stop Switch (if equipped)
- O. Electric Start Switch (if equipped) ¹

¹ Some engines and equipment have remote controls. See the equipment manual for location and operation of remote controls.



Engine Control Symbols and Meanings

Symbol	Meaning	Symbol	Meaning
	Engine speed - FAST		Engine speed - SLOW
	Engine speed - STOP		ON - OFF
	Engine start - Choke CLOSED		Engine start - Choke OPEN
	Fuel Cap Fuel Shut-off - OPEN		Fuel Shut-off - CLOSED
	Fuel level - Maximum Do not overfill		

A	SAE 30 - Below 40 °F (4 °C) the use of SAE 30 will result in hard starting.
B	10W-30 - Above 80 °F (27 °C) the use of 10W-30 may cause increased oil consumption. Check oil level more frequently.
C	5W-30
D	Synthetic 5W-30
E	Vanguard™ Synthetic 15W-50

Check Oil Level

See Figure: 5

Before adding or checking the oil

- Make sure the engine is level.
- Clean the oil fill area of any debris.

1. Remove the dipstick (A, Figure 5) and wipe with a clean cloth.
2. Install the dipstick (A, Figure 5). **Do not turn or tighten.**
3. Remove the dipstick and check the oil level. Correct oil level is at the top of the full indicator (B, Figure 5) on the dipstick.
4. If oil level is low, slowly add oil into the engine oil fill (C, Figure 5). Fill to point of overflowing.
5. Reinstall and tighten the dipstick (A, Figure 5).

Low Oil Protection System (if equipped)

Some engines are equipped with a low oil sensor. If the oil is low, the sensor will either activate a warning light or stop the engine. Stop the engine and follow these steps before restarting the engine.

- Make sure the engine is level.
- Check the oil level. See the **Check Oil Level** section.
- If the oil level is low, add the proper amount of oil. Start the engine and make sure the warning light (if equipped) is not activated.
- If the oil level is not low, do not start the engine. Contact a Briggs & Stratton Authorized Service Dealer to have the oil problem corrected.

Fuel Recommendations

Fuel must meet these requirements:

- Clean, fresh, unleaded gasoline.
- A minimum of 87 octane/87 AKI (91 RON). High altitude use, see below.
- Gasoline with up to 10% ethanol (gasohol) is acceptable.

NOTICE Do not use unapproved gasolines, such as E15 and E85. Do not mix oil in gasoline or modify the engine to run on alternate fuels. Use of unapproved fuels will damage the engine components, which will not be covered under warranty.

To protect the fuel system from gum formation, mix a fuel stabilizer into the fuel. See **Storage**. All fuel is not the same. If starting or performance problems occur, change fuel providers or change brands. This engine is certified to operate on gasoline. The emissions control system for this engine is EM (Engine Modifications).

High Altitude

At altitudes over 5,000 feet (1524 meters), a minimum 85 octane/85 AKI (89 RON) gasoline is acceptable.

For carbureted engines, high altitude adjustment is required to maintain performance. Operation without this adjustment will cause decreased performance, increased fuel consumption, and increased emissions. Contact a Briggs & Stratton Authorized Service

Operation

Oil Recommendations

Oil Capacity: See the **Specifications** section.

NOTICE

This engine was shipped from Briggs & Stratton without oil. Equipment manufacturers or dealers may have added oil to the engine. Before you start the engine for the first time, make sure to check the oil level and add oil according to the instructions in this manual. If you start the engine without oil, it will be damaged beyond repair and will not be covered under warranty.

We recommend the use of Briggs & Stratton Warranty Certified oils for best performance. Other high-quality detergent oils are acceptable if classified for service SF, SG, SH, SJ or higher. Do not use special additives.

Outdoor temperatures determine the proper oil viscosity for the engine. Use the chart to select the best viscosity for the outdoor temperature range expected. Engines on most outdoor power equipment operate well with 5W-30 Synthetic oil. For equipment operated in hot temperatures, Vanguard™ 15W-50 Synthetic oil provides the best protection.

Dealer for high altitude adjustment information. Operation of the engine at altitudes below 2,500 feet (762 meters) with the high altitude adjustment is not recommended.

For Electronic Fuel Injection (EFI) engines, no high altitude adjustment is necessary.

Add Fuel

See Figure: 6



WARNING

Fuel and its vapors are extremely flammable and explosive.

Fire or explosion can cause severe burns or death.

When adding fuel

- Turn engine off and let engine cool at least 2 minutes before removing the fuel cap.
 - Fill fuel tank outdoors or in well-ventilated area.
 - Do not overfill fuel tank. To allow for expansion of the fuel, do not fill above the bottom of the fuel tank neck.
 - Keep fuel away from sparks, open flames, pilot lights, heat, and other ignition sources.
 - Check fuel lines, tank, cap, and fittings frequently for cracks or leaks. Replace if necessary.
 - If fuel spills, wait until it evaporates before starting engine.
1. Clean the fuel cap area of dirt and debris. Remove the fuel cap.
 2. Fill the fuel tank (A, Figure 6) with fuel. To allow for expansion of the fuel, do not fill above the bottom of the fuel tank neck (B).
 3. Reinstall the fuel cap.

Start and Stop Engine

See Figure: 7, 8

Start Engine



WARNING

Rapid retraction of starter cord (kickback) will pull hand and arm toward engine faster than you can let go.

Broken bones, fractures, bruises or sprains could result.

- When starting engine, pull the starter cord slowly until resistance is felt and then pull rapidly to avoid kickback.



WARNING

Fuel and its vapors are extremely flammable and explosive.

Fire or explosion can cause severe burns or death.

When Starting Engine

- Ensure that spark plug, muffler, fuel cap and air cleaner (if equipped) are in place and secured.
- Do not crank engine with spark plug removed.
- If engine floods, set choke (if equipped) to OPEN or RUN position, move throttle (if equipped) to FAST position and crank until engine starts.



WARNING

POISONOUS GAS HAZARD. Engine exhaust contains carbon monoxide, a poisonous gas that could kill you in minutes. You CANNOT see it, smell it, or taste it. Even if you do not smell exhaust fumes, you could still be exposed to carbon monoxide gas. If you start to feel sick, dizzy, or weak while using this product, shut it off and get to fresh air RIGHT AWAY. See a doctor. You may have carbon monoxide poisoning.

- Operate this product ONLY outside far away from windows, doors and vents to reduce the risk of carbon monoxide gas from accumulating and potentially being drawn towards occupied spaces.
- Install battery-operated carbon monoxide alarms or plug-in carbon monoxide alarms with battery back-up according to the manufacturer's instructions. Smoke alarms cannot detect carbon monoxide gas.

- DO NOT run this product inside homes, garages, basements, crawlspaces, sheds, or other partially-enclosed spaces even if using fans or opening doors and windows for ventilation. Carbon monoxide can quickly build up in these spaces and can linger for hours, even after this product has shut off.
- ALWAYS place this product downwind and point the engine exhaust away from occupied spaces.

NOTICE This engine was shipped from Briggs & Stratton without oil. Before you start the engine, make sure you add oil according to the instructions in this manual. If you start the engine without oil, it will be damaged beyond repair and will not be covered under warranty.

Note: Equipment may have remote controls. See the equipment manual for location and operation of remote controls.

1. Check the engine oil. See the **Check Oil Level** section.
 2. Make sure equipment drive controls, if equipped, are disengaged.
 3. Move the fuel or ignition lever (A, Figure 7), if equipped, to the on or start position.
 4. Move the throttle control (B, Figure 7), if equipped, to the fast position. Operate the engine in the fast position.
 5. Move the choke control (C, Figure 7, 8) to the closed position.
- Note:* Choke is usually unnecessary when restarting a warm engine.
6. Move the stop switch (E, Figure 8), if equipped, to the on position.
 7. **Rewind Start, if equipped:** Firmly hold the starter cord handle (D, Figure 7, 8). Pull the starter cord handle slowly until resistance is felt, then pull rapidly.



WARNING

Rapid retraction of the starter cord (kickback) will pull your hand and arm toward the engine faster than you can let go. Broken bones, fractures, bruises or sprains could result. When starting engine, pull the starter cord slowly until resistance is felt and then pull rapidly to avoid kickback.

8. **Electric Start, if equipped:** Turn the electric start switch (F, Figure 8) to the on or start position.

NOTICE To extend the life of the starter, use short starting cycles (five seconds maximum). Wait one minute between starting cycles.

9. As the engine warms up, move the choke control (C, Figure 7, 8) to the open position.

Note: If the engine does not start after repeated attempts, contact a local dealer or go to **VanguardEngines.com** or call **1-800-999-9333** (in USA).

Stop Engine



WARNING

Fuel and its vapors are extremely flammable and explosive.

Fire or explosion can cause severe burns or death.

- Do not choke the carburetor to stop the engine.
1. **Stop Switch, if equipped:** Move the stop switch (E, Figure 8) to the stop position. **Fuel and Ignition Lever, if equipped:** Move the fuel and ignition lever (A, Figure 7) to the off or stop position.
 2. **Electric Start, if equipped:** Remove the key. Keep the key out of reach of children.

Maintenance

NOTICE If the engine is tipped during maintenance, the fuel tank, if mounted on engine, must be empty and the spark plug side must be up. If the fuel tank is not empty and if the engine is tipped in any other direction, it may be difficult to start due to oil or gasoline contaminating the air filter and/or the spark plug.



WARNING

When performing maintenance that requires the unit to be tipped, the fuel tank, if mounted on the engine, must be empty or fuel can leak out and result in a fire or explosion.

We recommend that you see any Briggs & Stratton Authorized Service Dealer for all maintenance and service of the engine and engine parts.

NOTICE All the components used to build this engine must remain in place for proper operation.



WARNING

Unintentional parking can result in fire or electric shock.

Unintentional start-up can result in entanglement, traumatic amputation, or laceration.

Fire hazard

Before performing adjustments or repairs:

- Disconnect the spark plug wire and keep it away from the spark plug.
- Disconnect battery at negative terminal (only engines with electric start.)
- Use only correct tools.
- Do not tamper with governor spring, links or other parts to increase engine speed.
- Replacement parts must be of the same design and installed in the same position as the original parts. Other parts may not perform as well, may damage the unit, and may result in injury.
- Do not strike the flywheel with a hammer or hard object because the flywheel may later shatter during operation.

When testing for spark:

- Use approved spark plug tester.
- Do not check for spark with spark plug removed.

Emissions Control Service

Maintenance, replacement, or repair of the emissions control devices and systems may be performed by any off-road engine repair establishment or individual. However, to obtain "no charge" emissions control service, the work must be performed by a factory authorized dealer. See the Emissions Control Statements.

Maintenance Schedule

First 5 Hours
<ul style="list-style-type: none"> • Change oil
Every 8 Hours or Daily
<ul style="list-style-type: none"> • Check engine oil level • Clean area around muffler and controls • Clean air intake grille
Every 25 Hours or Annually
<ul style="list-style-type: none"> • Clean air filter ¹ • Clean pre-cleaner ¹
Every 50 Hours or Annually
<ul style="list-style-type: none"> • Change engine oil • Service exhaust system
Every 100 Hours
<ul style="list-style-type: none"> • Change gear reduction oil (if equipped)
Annually
<ul style="list-style-type: none"> • Replace spark plug • Replace air filter • Replace pre-cleaner • Service fuel system • Service cooling system ¹ • Check valve clearance ²

¹ In dusty conditions or when airborne debris is present, clean more often.

² Not required unless engine performance problems are noted.

Carburetor and Engine Speed

Never make adjustments to the carburetor or engine speed. The carburetor was set at the factory to operate efficiently under most conditions. Do not tamper with the governor spring, linkages, or other parts to change the engine speed. If any adjustments are required contact a Briggs & Stratton Authorized Service Dealer for service.

NOTICE The equipment manufacturer specifies the maximum speed for the engine as installed on the equipment. **Do not exceed** this speed. If you are unsure what the equipment maximum speed is, or what the engine speed is set to from the factory, contact a Briggs & Stratton Authorized Service Dealer for assistance. For safe and proper operation of the equipment, the engine speed should be adjusted only by a qualified service technician.

Service Spark Plug

See Figure: 9

Check the gap (A, Figure 9) with a wire gauge (B). If necessary, reset the gap. Install and tighten the spark plug to the recommended torque. For gap setting or torque, see the **Specifications** section.

Note: In some areas, local law requires using a resistor spark plug to suppress ignition signals. If this engine was originally equipped with a resistor spark plug, use the same type for replacement.

Service Exhaust System



WARNING

Running engines produce heat. Engine parts, especially muffler, become extremely hot.

Severe thermal burns can occur on contact.

Combustible debris, such as leaves, grass, brush, etc. can catch fire.

- Allow muffler, engine cylinder and fins to cool before touching.
- Remove accumulated debris from muffler area and cylinder area.
- It is a violation of California Public Resource Code, Section 4442, to use or operate the engine on any forest-covered, brush-covered, or grass-covered land unless the exhaust system is equipped with a spark arrester, as defined in Section 4442, maintained in effective working order. Other states or federal jurisdictions may have similar laws. Contact the original equipment manufacturer, retailer, or dealer to obtain a spark arrester designed for the exhaust system installed on this engine.

Remove accumulated debris from muffler and cylinder area. Inspect the muffler for cracks, corrosion, or other damage. Remove the deflector or the spark arrester, if equipped, and inspect for damage or carbon blockage. If damage is found, install replacement parts before operating.



WARNING

Replacement parts must be of the same design and installed in the same position as the original parts. Other parts may not perform as well, may damage the unit, and may result in injury.

Change Engine Oil

See Figure: 10, 11

Used oil is a hazardous waste product and must be disposed of properly. Do not discard with household waste. Check with your local authorities, service center, or dealer for safe disposal/recycling facilities.

Remove Oil

1. With engine off but still warm, disconnect the spark plug wire (D, Figure 10) and keep it away from the spark plug (E).
2. Remove the dipstick (A, Figure 11).
3. Remove the oil drain plug (F, Figure 11). Drain the oil into an approved container.

Note: Various oil drain plugs (G, Figure 11) are installed in the engine.

4. After the oil has drained, install and tighten the oil drain plug (F, Figure 11).

Add Oil

- Make sure the engine is level.
 - Clean the oil fill area of any debris.
 - See the **Specifications** section for oil capacity.
1. Remove the dipstick (A, Figure 11) and wipe with a clean cloth.
 2. Slowly pour oil into the engine oil fill (C, Figure 11). Fill to point of overflowing.
 3. Install the dipstick (A, Figure 11). **Do not turn or tighten.**
 4. Remove the dipstick and check the oil level. Correct oil level is at the top of the full indicator (B, Figure 11) on the dipstick.
 5. Reinstall and tighten the dipstick (A, Figure 11).
 6. Connect the spark plug wire (D, Figure 10) to the spark plug (E).

Change Gear Reduction Oil

See Figure: 12, 13

6:1 Gear Reduction (Figure 12)

If your engine is equipped with a 6:1 gear reduction unit, service as follows:

1. Remove the oil fill plug (A, Figure 12) and the oil level plug (B).
2. Remove the oil drain plug (C, Figure 12) and drain the oil into an appropriate receptacle.
3. Reinstall and tighten the oil drain plug (C, Figure 12).
4. To refill, slowly pour gear lube (see **Specifications** section) into the oil fill hole (D, Figure 12). Continue to pour until the oil runs out of the oil level hole (E).
5. Reinstall and tighten the oil level plug (B, Figure 12).
6. Reinstall and tighten the oil fill plug (A, Figure 12).

Note: The oil fill plug (A, Figure 12) has a vent hole (F) and must be installed on the top of the gear case cover as shown.

2:1 Gear Reduction (Figure 13)

The 2:1 gear reduction unit (G, Figure 13) does not require an oil change.

Service Air Filter

See Figure: 14, 15, 16



Fuel and its vapors are extremely flammable and explosive.

Fire or explosion can cause severe burns or death.

- Never start and run the engine with the air cleaner assembly (if equipped) or the air filter (if equipped) removed.

NOTICE Do not use pressurized air or solvents to clean the filter. Pressurized air can damage the filter and solvents will dissolve the filter.

See the **Maintenance Schedule** for service requirements.

Various models use either a foam or a paper filter. Some models may also have an optional pre-cleaner that can be washed and reused. Compare the illustrations in this manual with the type installed on your engine and service as follows.

Foam Air Filter

1. Loosen the fastener(s) (A, Figure 14).
2. Remove the cover (B, Figure 14).
3. Remove the fastener (D, Figure 14) and washer (E).
4. To prevent debris from falling into the carburetor, carefully remove the foam element (C, Figure 14) from the air filter base (G).
5. Remove the support cup (F, Figure 14) from the foam element (C).
6. Wash the foam element (C, Figure 14) in liquid detergent and water. Squeeze dry the foam element in a clean cloth.
7. Saturate the foam element (C, Figure 14) with clean engine oil. To remove the excess engine oil, squeeze the foam element in a clean cloth.
8. Insert the support cup (F, Figure 14) into the foam element (C).

9. Install the foam element (C, Figure 14) to air filter base (G) and onto stud (H). Make sure foam element is properly assembled to air filter base and secure with washer (E) and fastener (D).
10. Install the cover (B, Figure 14) and secure with fastener(s) (A). Make sure the fastener(s) is tight.

Paper Air Filter

1. Loosen the fastener(s) (A, Figure 15).
2. Remove the cover (B, Figure 15).
3. Remove the fastener (E, Figure 15).
4. To prevent debris from falling into the carburetor, carefully remove the pre-cleaner (D, Figure 15), if equipped, and the filter (C) from the air filter base (F).
5. To loosen debris, gently tap the filter (C, Figure 15) on a hard surface. If the filter is excessively dirty, replace with a new filter.
6. Remove the pre-cleaner (D, Figure 15), if equipped, from the filter (C).
7. Wash the pre-cleaner (D, Figure 15) in liquid detergent and water. Allow the pre-cleaner to thoroughly air dry. **Do not** oil the pre-cleaner.
8. Assemble the dry pre-cleaner (D, Figure 15), if equipped, to the filter (C).
9. Install the seal washer (H, Figure 15), the filter (C), and the pre-cleaner (D), if equipped, to air filter base (F) and onto stud (G). Make sure the filter is properly assembled to air filter base and secure with fastener (E).
10. Install the cover (B, Figure 15) and secure with the fastener(s) (A). Make sure the fastener(s) is tight.

Paper Air Filter

1. Loosen the fastener(s) (D, Figure 16).
2. Remove the cover (A, Figure 16).
3. Remove the pre-cleaner (C, Figure 16), if equipped, and the filter (B).
4. To loosen debris, gently tap the filter (B, Figure 16) on a hard surface. If the filter is excessively dirty, replace with a new filter.
5. Wash the pre-cleaner (C, Figure 16), if equipped, in liquid detergent and water. Allow the pre-cleaner to thoroughly air dry. **Do not** oil the pre-cleaner.
6. Install the dry pre-cleaner (C, Figure 16), if equipped, and the filter (B).
7. Install the cover (A, Figure 16) and secure with the fastener(s) (D). Make sure the fastener(s) is tight.

Service Fuel System

See Figure: 17, 18



Fuel and its vapors are extremely flammable and explosive.

Fire or explosion can cause severe burns or death.

- Keep fuel away from sparks, open flames, pilot lights, heat, and other ignition sources.
- Check fuel lines, tank, cap, and fittings frequently for cracks or leaks. Replace if necessary.
- Before cleaning or replacing the fuel filter, drain the fuel tank or close the fuel shut-off valve.
- If fuel spills, wait until it evaporates before starting engine.
- Replacement parts must be the same and installed in the same position as the original parts.

Fuel Filter, if equipped

1. Before cleaning or replacing the fuel filter (A, Figure 17), drain the fuel tank or close the fuel shut-off valve. Otherwise, fuel can leak out and cause a fire or explosion.
2. Use pliers to squeeze tabs (B, Figure 17) on the clamps (C), then slide the clamps away from the fuel filter (A). Twist and pull the fuel lines (D) off of the fuel filter.
3. Check the fuel lines (D, Figure 17) for cracks or leaks. Replace if necessary.
4. Replace the fuel filter (A, Figure 17) with an original equipment replacement filter.
5. Secure the fuel lines (D, Figure 17) with clamps (C) as shown.

Fuel Strainer, if equipped

1. Remove the fuel cap (A, Figure 18).
2. Remove the fuel strainer (B, Figure 18).

- If the fuel strainer is dirty, clean or replace it. If you replace the fuel strainer, make sure to use an original equipment replacement fuel strainer.

Service Cooling System



Running engines produce heat. Engine parts, especially muffler, become extremely hot.

Severe thermal burns can occur on contact.

Combustible debris, such as leaves, grass, brush, etc., can catch fire.

- Allow muffler, engine cylinder and fins to cool before touching.
- Remove accumulated debris from muffler area and cylinder area.

NOTICE Do not use water to clean the engine. Water could contaminate the fuel system. Use a brush or dry cloth to clean the engine.

This is an air cooled engine. Dirt or debris can restrict air flow and cause the engine to overheat, resulting in poor performance and reduced engine life.

- Use a brush or dry cloth to remove debris from the air intake grille.
- Keep linkage, springs and controls clean.
- Keep the area around and behind the muffler, if equipped, free of any combustible debris.
- Make sure the oil cooler fins, if equipped, are free of dirt and debris.

After a period of time, debris can accumulate in the cylinder cooling fins and cause the engine to overheat. This debris cannot be removed without partial disassembly of the engine. Have a Briggs & Stratton Authorized Service Dealer inspect and clean the air cooling system as recommended in the **Maintenance Schedule**.

Storage



Fuel and its vapors are extremely flammable and explosive.

Fire or explosion can cause severe burns or death.

When Storing Fuel Or Equipment With Fuel In Tank

- Store away from furnaces, stoves, water heaters or other appliances that have pilot lights or other ignition sources because they can ignite fuel vapors.

Fuel System

See Figure: 19

Store the engine level (normal operating position). Fill fuel tank (A, Figure 19) with fuel. To allow for expansion of fuel, do not overfill above the fuel tank neck (B).

Fuel can become stale when stored over 30 days. Stale fuel causes acid and gum deposits to form in the fuel system or on essential carburetor parts. To keep fuel fresh, use **Briggs & Stratton Advanced Formula Fuel Treatment & Stabilizer**, available wherever Briggs & Stratton genuine service parts are sold.

There is no need to drain gasoline from the engine if a fuel stabilizer is added according to instructions. Run the engine for two (2) minutes to circulate the stabilizer throughout the fuel system before storage.

If gasoline in the engine has not been treated with a fuel stabilizer, it must be drained into an approved container. Run the engine until it stops from lack of fuel. The use of a fuel stabilizer in the storage container is recommended to maintain freshness.

Engine Oil

While the engine is still warm, change the engine oil. See the **Change Engine Oil** section.

Troubleshooting

For assistance, contact your local dealer or go to VanguardEngines.com or call 1-800-999-9333 (in USA).

Specifications

Model: 130000	
Displacement	12.48 ci (205 cc)
Bore	2.688 in (68,28 mm)
Stroke	2.200 in (55,88 mm)
Oil Capacity	20 - 22 oz (.59 - .65 L)
Gear Reduction Oil Type	80W-90
Gear Reduction Oil Capacity	4 oz (.12 L)
Spark Plug Gap	.030 in (.76 mm)
Spark Plug Torque	180 lb-in (20 Nm)
Armature Air Gap	.010 - .014 in (.25 - .36 mm)
Intake Valve Clearance	.004 - .006 in (.10 - .15 mm)
Exhaust Valve Clearance	.009 - .011 in (.23 - .28 mm)

Model: 190000	
Displacement	18.63 ci (305 cc)
Bore	3.120 in (79,24 mm)
Stroke	2.438 in (61,93 mm)
Oil Capacity	26 - 28 oz (.77 - .83 L)
Gear Reduction Oil Type	SAE 30
Gear Reduction Oil Capacity	12 oz (.35 L)
Spark Plug Gap	.030 in (.76 mm)
Spark Plug Torque	180 lb-in (20 Nm)
Armature Air Gap	.010 - .014 in (.25 - .36 mm)
Intake Valve Clearance	.004 - .006 in (.10 - .15 mm)
Exhaust Valve Clearance	.004 - .006 in (.10 - .15 mm)

Engine power will decrease 3.5% for each 1,000 feet (300 meters) above sea level and 1% for each 10° F (5.6° C) above 77° F (25° C). The engine will operate satisfactorily at an angle up to 15°. Refer to the equipment operator's manual for safe allowable operating limits on slopes.

Service Parts - Model: 130000, 190000	
Service Part	Part Number
Foam Air Filter (Model 130000, Figure 14)	797378
Paper Air Filter (Model 130000, Figure 15)	797033
Pre-cleaner (Model 130000, Figure 15)	798513
Paper Air Filter (Model 190000, Figure 15)	797032
Pre-cleaner (Model 190000, Figure 15)	798795
Paper Air Filter (Figure 16)	474279
Pre-cleaner (Figure 16)	491435S
Advanced Formula Fuel Treatment & Stabilizer	100117, 100120
Resistor Spark Plug	491055
Spark Plug Wrench	19576, 5402
Spark Tester	19368

We recommend that you see any Briggs & Stratton Authorized Dealer for all maintenance and service of the engine and engine parts.

Power Ratings: The gross power rating for individual gasoline engine models is labeled in accordance with SAE (Society of Automotive Engineers) code J1940 Small Engine Power & Torque Rating Procedure, and is rated in accordance with SAE J1995. Torque values are derived at 2600 RPM for those engines with "rpm" called out on the label and 3060 RPM for all others; horsepower values are derived at 3600 RPM. The gross power curves can be viewed at www.BRIGGSandSTRATTON.COM. Net power values are taken with exhaust and air cleaner installed whereas gross power values are collected without these attachments. Actual gross engine power will be higher than net engine power and is affected by, among other things, ambient operating conditions and engine-to-engine variability. Given the wide array of products on which engines are placed, the gasoline engine may not develop the rated gross power when used in a given piece of power equipment. This difference is due to a variety of factors including, but not limited to, the variety of engine components (air cleaner, exhaust, charging, cooling, carburetor, fuel

pump, etc.), application limitations, ambient operating conditions (temperature, humidity, altitude), and engine-to-engine variability. Due to manufacturing and capacity limitations, Briggs & Stratton may substitute an engine of higher rated power for this engine.

Warranty

Briggs & Stratton Engine Warranty

Effective January 2017

Limited Warranty

Briggs & Stratton warrants that, during the warranty period specified below, it will repair or replace, free of charge, any part that is defective in material or workmanship or both. Transportation charges on product submitted for repair or replacement under this warranty must be borne by purchaser. This warranty is effective for and is subject to the time periods and conditions stated below. For warranty service, find the nearest Authorized Service Dealer in our dealer locator map at BRIGGSandSTRATTON.COM. The purchaser must contact the Authorized Service Dealer, and then make the product available to the Authorized Service Dealer for inspection and testing.

There is no other express warranty. Implied warranties, including those of merchantability and fitness for a particular purpose, are limited to the warranty period listed below, or to the extent permitted by law. Liability for incidental or consequential damages are excluded to the extent exclusion is permitted by law. Some states or countries do not allow limitations on how long an implied warranty lasts, and some states or countries do not allow the exclusion or limitation of incidental or consequential damages, so the above limitation and exclusion may not apply to you. This warranty gives you specific legal rights and you may also have other rights which vary from state to state and country to country ¹.

Standard Warranty Terms ^{1, 2, 3}

Brand / Product Name	Consumer Use	Commercial Use
Vanguard™; Commercial Series	36 months	36 months
Engines Featuring Dura-Bore™ Cast Iron Sleeve	24 months	12 months
All Other Engines	24 months	3 months

¹These are our standard warranty terms, but occasionally there may be additional warranty coverage that was not determined at time of publication. For a listing of current warranty terms for your engine, go to BRIGGSandSTRATTON.com or contact your Briggs & Stratton Authorized Service Dealer.

²There is no warranty for engines on equipment used for prime power in place of a utility or for standby generators used for commercial purposes. Engines used in competitive racing or on commercial or rental tracks are not warrantied.

³Vanguard installed on standby generators: 24 months consumer use, no warranty commercial use. Vanguard installed on utility vehicles: 24 months consumer use, 24 months commercial use. Commercial Series with manufacturing date before July 2017, 24 months consumer use, 24 months commercial use.

⁴In Australia - Our goods come with guarantees that cannot be excluded under the Australian Consumer Law. You are entitled to a replacement or refund for a major failure and for compensation for any other reasonably foreseeable loss or damage. You are also entitled to have the goods repaired or replaced if the goods fail to be of acceptable quality and the failure does not amount to a major failure. For warranty service, find the nearest Authorized Service Dealer in our dealer locator map at BRIGGSandSTRATTON.COM, or by calling 1300 274 447, or by emailing or writing to salesenquiries@briggsandstratton.com.au, Briggs & Stratton Australia Pty Ltd, 1 Moorebank Avenue, Moorebank, NSW, Australia, 2170.

The warranty period begins on the original date of purchase by the first retail or commercial consumer. "Consumer use" means personal residential household use by a retail consumer. "Commercial use" means all other uses, including use for commercial, income producing or rental purposes. Once an engine has experienced commercial use, it shall thereafter be considered as a commercial use engine for purposes of this warranty.

Save your proof of purchase receipt. If you do not provide proof of the initial purchase date at the time warranty service is requested, the manufacturing date of the product will be used to determine the warranty period. Product registration is not required to obtain warranty service on Briggs & Stratton products.

About Your Warranty

This limited warranty covers engine-related material and/or workmanship issues only, and not replacement or refund of the equipment to which the engine may be mounted. Routine maintenance, tune-ups, adjustments, or normal wear and tear are not covered under this warranty. Similarly, warranty is not applicable if the engine has been altered or modified or if the engine serial number has been defaced or removed. This warranty does not cover engine damage or performance problems caused by:

1. The use of parts that are not original Briggs & Stratton parts;
2. Operating the engine with insufficient, contaminated, or an incorrect grade of lubricating oil;

3. The use of contaminated or stale fuel, gasoline formulated with ethanol greater than 10%, or the use of alternative fuels such as liquefied petroleum or natural gas on engines not originally designed/manufactured by Briggs & Stratton to operate on such fuels;
4. Dirt which entered the engine because of improper air cleaner maintenance or re-assembly;
5. Striking an object with the cutter blade of a rotary lawn mower, loose or improperly installed blade adapters, impellers, or other crankshaft coupled devices, or excessive v-belt tightness;
6. Associated parts or assemblies such as clutches, transmissions, equipment controls, etc., which are not supplied by Briggs & Stratton;
7. Overheating due to grass clippings, dirt and debris, or rodent nests which plug or clog the cooling fins or flywheel area, or by operating the engine without sufficient ventilation;
8. Excessive vibration due to over-speeding, loose engine mounting, loose or unbalanced cutter blades or impellers, or improper coupling of equipment components to the crankshaft;
9. Misuse, lack of routine maintenance, shipping, handling, or warehousing of equipment, or improper engine installation.

Warranty service is available only through Briggs & Stratton Authorized Service Dealers. Locate your nearest Authorized Service Dealer in our dealer locator map at BRIGGSandSTRATTON.COM or by calling 1-800-233-3723 (in USA).

80004537 (Rev. C)

Briggs & Stratton Emissions Warranty

California, U.S. EPA, and Briggs & Stratton Corporation Emissions Control Warranty Statement - Your Warranty Rights and Obligations

For Briggs & Stratton Engine Models with "F" Trim Designation (Model-Type-Trim Representation xxxxxx xxxx Fx)

The California Air Resources Board, U.S. EPA, and Briggs & Stratton (B&S) are pleased to explain the emissions control system warranty on your Model Year 2016-2018 engine/equipment. In California, new small off-road engines and large spark ignited engines less than or equal to 1.0 liter must be designed, built, and equipped to meet the State's stringent anti-smog standards. B&S must warrant the emissions control system on your engine/equipment for the periods of time listed below provided there has been no abuse, neglect, or improper maintenance of your engine/equipment.

Your exhaust emissions control system may include parts such as the carburetor or fuel injection system, ignition system, and catalytic converter. Also included may be hoses, belts, connectors, sensors, and other emissions-related assemblies. Your evaporative emission control system may include parts such as: carburetors, fuel tanks, fuel lines, fuel caps, valves, canisters, filters, vapor hoses, clamps, connectors, and other associated components.

Where a warrantable condition exists, B&S will repair your engine/equipment at no cost to you including diagnosis, parts, and labor.

Manufacturer's Warranty Coverage:

Small off-road engines and large spark ignited engines less than or equal to 1.0 liter, and any related emissions components of the equipment, are warranted for two years, or for the time period listed in the respective engine or product warranty statement, whichever is greater. If any emissions-related part on your B&S engine/equipment is defective, the part will be repaired or replaced by B&S.

Owner's Warranty Responsibilities:

- As the engine/equipment owner, you are responsible for the performance of the required maintenance listed in your Operator's Manual. B&S recommends that you retain all receipts covering maintenance on your engine/equipment, but B&S cannot deny warranty solely for the lack of receipts or your failure to ensure the performance of all scheduled maintenance.
- As the engine/equipment owner, you should however be aware that B&S may deny you warranty coverage if your engine/equipment or a part has failed due to abuse, neglect, improper maintenance, or unapproved modifications.
- You are responsible for presenting your engine/equipment to a B&S distribution center, servicing dealer, or other equivalent entity, as applicable, as soon as a problem exists. The warranty repairs should be completed in a reasonable amount of time, not to exceed 30 days. If you have any questions regarding your warranty rights and responsibilities, you should contact B&S at 1-800-444-7774 (in USA) or BRIGGSandSTRATTON.COM.

Briggs & Stratton Emissions Control Warranty Provisions

The following are specific provisions relative to your Emissions Control Warranty Coverage. It is in addition to the B&S engine warranty for non-regulated engines found in the Operator's Manual.

1. **Warranted Emissions Parts**
Coverage under this warranty extends only to the parts listed below (the emissions control systems parts) to the extent these parts were present on the B&S engine and/or B&S supplied fuel system.

a. **Fuel Metering System**

- Cold start enrichment system (soft choke)
- Carburetor or fuel injection system
- Oxygen sensor
- Electronic control unit
- Fuel pump module
- Fuel line, fuel line fittings, clamps
- Fuel tank, cap and tether
- Carbon canister

b. **Air Induction System**

- Air cleaner
- Intake manifold
- Purge and vent line

c. **Ignition System**

- Spark plug(s)
- Magneto ignition system

d. **Catalyst System**

- Catalytic converter
- Exhaust manifold
- Air injection system or pulse valve

e. **Miscellaneous Items Used in Above Systems**

- Vacuum, temperature, position, time sensitive valves and switches
- Connectors and assemblies

2. **Length of Coverage**

Coverage is for a period of two years from date of original purchase, or for the time period listed in the respective engine or product warranty statement, whichever is greater. B&S warrants to the original purchaser and each subsequent purchaser that the engine is designed, built, and equipped so as to conform with all applicable regulations adopted by the Air Resources Board; that it is free from defects in material and workmanship that could cause the failure of a warranted part; and that it is identical in all material respects to the engine described in the manufacturer's application for certification. The warranty period begins on the date the engine is originally purchased.

The warranty on emissions-related parts is as follows:

- Any warranted part that is not scheduled for replacement as required maintenance in the Operator's Manual supplied, is warranted for the warranty period stated above. If any such part fails during the period of warranty coverage, the part will be repaired or replaced by B&S at no charge to the owner. Any such part repaired or replaced under the warranty will be warranted for the remaining warranty period.
- Any warranted part that is scheduled only for regular inspection in the Operator's Manual supplied, is warranted for the warranty period stated above. Any such part repaired or replaced under warranty will be warranted for the remaining warranty period.
- Any warranted part that is scheduled for replacement as required maintenance in the Operator's Manual supplied, is warranted for the period of time prior to the first scheduled replacement point for that part. If the part fails prior to the first scheduled replacement, the part will be repaired or replaced by B&S at no charge to the owner. Any such part repaired or replaced under warranty will be warranted for the remainder of the period prior to the first scheduled replacement point for the part.
- Add-on or modified parts that are not exempted by the Air Resources Board may not be used. The use of any non-exempted add-on or modified parts by the owner will be grounds for disallowing a warranty claim. The manufacturer will not be liable to warrant failures of warranted parts caused by the use of a non-exempted add-on or modified part.

3. **Consequential Coverage**

Coverage shall extend to the failure of any engine components caused by the failure of any warranted emissions parts.

4. **Claims and Coverage Exclusions**

Warranty claims shall be filed according to the provisions of the B&S engine warranty policy. Warranty coverage does not apply to failures of emissions parts that are not original equipment B&S parts or to parts that fail due to abuse, neglect, or improper maintenance as set forth in the B&S engine warranty policy. B&S is not liable for warranty coverage of failures of emissions parts caused by the use of add-on or modified parts.

Look For Relevant Emissions Durability Period and Air Index Information On Your Small Off-Road Engine Emissions Label

Engines that are certified to meet the California Air Resources Board (CARB) small off-road Emissions Standard must display information regarding the Emissions Durability Period and the Air Index. Briggs & Stratton makes this information available to the consumer on our emissions labels. The engine emissions label will indicate certification information.

The **Emissions Durability Period** describes the number of hours of actual running time for which the engine is certified to be emissions compliant, assuming proper maintenance in accordance with the Operator's Manual. The following categories are used:

Moderate:

Engines at or less than 80 cc displacement are certified to be emissions compliant for 50 hours of actual engine running time. Engines greater than 80 cc displacement are certified to be emissions compliant for 125 hours of actual engine running time.

Intermediate:

Engines at or less than 80 cc displacement are certified to be emissions compliant for 125 hours of actual engine running time. Engines greater than 80 cc displacement are certified to be emissions compliant for 250 hours of actual engine running time.

Extended:

Engines at or less than 80 cc displacement are certified to be emissions compliant for 300 hours of actual engine running time. Engines greater than 80 cc displacement are certified to be emissions compliant for 500 hours of actual engine running time.

For example, a typical walk-behind lawn mower is used 20 to 25 hours per year. Therefore, the **Emissions Durability Period** of an engine with an **intermediate** rating would equate to 10 to 12 years.

Briggs & Stratton engines are certified to meet the United States Environmental Protection Agency (USEPA) Phase 2 or Phase 3 emissions standards. The Emissions Compliance Period referred to on the Emissions Compliance label indicates the number of operating hours for which the engine has been shown to meet Federal emissions requirements.

For engines at or less than 80 cc displacement:

Category C = 50 hours, Category B = 125 hours, Category A = 300 hours

For engines greater than 80 cc displacement and less than 225 cc displacement:

Category C = 125 hours, Category B = 250 hours, Category A = 500 hours

For engines of 225 cc or more displacement:

Category C = 250 hours, Category B = 500 hours, Category A = 1000 hours

80008256 (Rev E)

California, U.S. EPA, and Briggs & Stratton Corporation Emissions Control Warranty Statement - Your Warranty Rights and Obligations

For Briggs & Stratton Engine Models with "B" or "G" Trim Designation (Model-Type-Trim Representation xxxxxx xxxx Bx or xxxxxx xxxx Gx)

The California Air Resources Board, U.S. EPA, and Briggs & Stratton (B&S) are pleased to explain the emissions control system warranty on your Model Year 2016-2018 engine. In California, new small off-road engines and large spark ignited engines less than or equal to 1.0 liter must be designed, built, and equipped to meet the State's stringent anti-smog standards. B&S must warrant the emissions control system on your engine for the periods of time listed below provided there has been no abuse, neglect, or improper maintenance of your engine.

Your exhaust emissions control system may include parts such as the carburetor or fuel injection system, ignition system, and catalytic converter. Also included may be hoses, belts, connectors, sensors, and other emissions-related assemblies.

Where a warrantable condition exists, B&S will repair your engine at no cost to you including diagnosis, parts, and labor.

Manufacturer's Warranty Coverage:

Small off-road engines and large spark ignited engines less than or equal to 1.0 liter, and any related emissions components of the equipment, are warranted for two years, or for the time period listed in the respective engine or product warranty statement, whichever is greater. If any emissions-related part on your B&S engine is defective, the part will be repaired or replaced by B&S.

Owner's Warranty Responsibilities:

- As the engine owner, you are responsible for the performance of the required maintenance listed in your Operator's Manual. B&S recommends that you retain all receipts covering maintenance on your engine, but B&S cannot deny warranty solely for the lack of receipts or your failure to ensure the performance of all scheduled maintenance.

- As the engine owner, you should however be aware that B&S may deny you warranty coverage if your engine or a part has failed due to abuse, neglect, improper maintenance, or unapproved modifications.
- You are responsible for presenting your engine to a B&S distribution center, servicing dealer, or other equivalent entity, as applicable, as soon as a problem exists. The warranty repairs should be completed in a reasonable amount of time, not to exceed 30 days. If you have any questions regarding your warranty rights and responsibilities, you should contact B&S at 1-800-444-7774 (in USA) or BRIGGSandSTRATTON.COM.

Briggs & Stratton Emissions Control Warranty Provisions

The following are specific provisions relative to your Emissions Control Warranty Coverage. It is in addition to the B&S engine warranty for non-regulated engines found in the Operator's Manual.

1. **Warranted Emissions Parts**
Coverage under this warranty extends only to the parts listed below (the emissions control systems parts) to the extent these parts were present on the B&S engine.
 - a. **Fuel Metering System**
 - Cold start enrichment system (soft choke)
 - Carburetor or fuel injection system
 - Oxygen sensor
 - Electronic control unit
 - Fuel pump module
 - b. **Air Induction System**
 - Air cleaner
 - Intake manifold
 - c. **Ignition System**
 - Spark plug(s)
 - Magneto ignition system
 - d. **Catalyst System**
 - Catalytic converter
 - Exhaust manifold
 - Air injection system or pulse valve
 - e. **Miscellaneous Items Used in Above Systems**
 - Vacuum, temperature, position, time sensitive valves and switches
 - Connectors and assemblies
2. **Length of Coverage**
Coverage is for a period of two years from date of original purchase, or for the time period listed in the respective engine or product warranty statement, whichever is greater. B&S warrants to the original purchaser and each subsequent purchaser that the engine is designed, built, and equipped so as to conform with all applicable regulations adopted by the Air Resources Board; that it is free from defects in material and workmanship that could cause the failure of a warranted part; and that it is identical in all material respects to the engine described in the manufacturer's application for certification. The warranty period begins on the date the engine is originally purchased.

The warranty on emissions-related parts is as follows:

- Any warranted part that is not scheduled for replacement as required maintenance in the Operator's Manual supplied, is warranted for the warranty period stated above. If any such part fails during the period of warranty coverage, the part will be repaired or replaced by B&S at no charge to the owner. Any such part repaired or replaced under the warranty will be warranted for the remaining warranty period.
- Any warranted part that is scheduled only for regular inspection in the Operator's Manual supplied, is warranted for the warranty period stated above. Any such part repaired or replaced under warranty will be warranted for the remaining warranty period.
- Any warranted part that is scheduled for replacement as required maintenance in the Operator's Manual supplied, is warranted for the period of time prior to the first scheduled replacement point for that part. If the part fails prior to the first scheduled replacement, the part will be repaired or replaced by B&S at no charge to the owner. Any such part repaired or replaced under warranty will be warranted for the remainder of the period prior to the first scheduled replacement point for the part.
- Add-on or modified parts that are not exempted by the Air Resources Board may not be used. The use of any non-exempted add-on or modified parts by the owner will be grounds for disallowing a warranty claim. The manufacturer will not be liable to warrant failures of warranted parts caused by the use of a non-exempted add-on or modified part.

3. **Consequential Coverage**

Coverage shall extend to the failure of any engine components caused by the failure of any warranted emissions parts.

4. **Claims and Coverage Exclusions**
Warranty claims shall be filed according to the provisions of the B&S engine warranty policy. Warranty coverage does not apply to failures of emissions parts that are not original equipment B&S parts or to parts that fail due to abuse, neglect, or improper maintenance as set forth in the B&S engine warranty policy. B&S is not liable for warranty coverage of failures of emissions parts caused by the use of add-on or modified parts.

Look For Relevant Emissions Durability Period and Air Index Information On Your Small Off-Road Engine Emissions Label

Engines that are certified to meet the California Air Resources Board (CARB) small off-road Emissions Standard must display information regarding the Emissions Durability Period and the Air Index. Briggs & Stratton makes this information available to the consumer on our emissions labels. The engine emissions label will indicate certification information.

The **Emissions Durability Period** describes the number of hours of actual running time for which the engine is certified to be emissions compliant, assuming proper maintenance in accordance with the Operator's Manual. The following categories are used:

Moderate:

Engines at or less than 80 cc displacement are certified to be emissions compliant for 50 hours of actual engine running time. Engines greater than 80 cc displacement are certified to be emissions compliant for 125 hours of actual engine running time.

Intermediate:

Engines at or less than 80 cc displacement are certified to be emissions compliant for 125 hours of actual engine running time. Engines greater than 80 cc displacement are certified to be emissions compliant for 250 hours of actual engine running time.

Extended:

Engines at or less than 80 cc displacement are certified to be emissions compliant for 300 hours of actual engine running time. Engines greater than 80 cc displacement are certified to be emissions compliant for 500 hours of actual engine running time.

For example, a typical walk-behind lawn mower is used 20 to 25 hours per year. Therefore, the **Emissions Durability Period** of an engine with an **intermediate** rating would equate to 10 to 12 years.

Briggs & Stratton engines are certified to meet the United States Environmental Protection Agency (USEPA) Phase 2 or Phase 3 emissions standards. The Emissions Compliance Period referred to on the Emissions Compliance label indicates the number of operating hours for which the engine has been shown to meet Federal emissions requirements.

For engines at or less than 80 cc displacement:

Category C = 50 hours, Category B = 125 hours, Category A = 300 hours

For engines greater than 80 cc displacement and less than 225 cc displacement:

Category C = 125 hours, Category B = 250 hours, Category A = 500 hours

For engines of 225 cc or more displacement:

Category C = 250 hours, Category B = 500 hours, Category A = 1000 hours

80008114 (Rev E)

Това ръководство съдържа сведения за безопасна работа, за да сте наясно с аварията и опасностите, свързани с тези двигатели и как да ги избягвате. То съдържа и инструкции за правилната им употреба и поддръжка. Тъй като в Корпорация Briggs & Stratton не биха могли да знаят каква машина ще се задвижва с този двигател, важно е да прочетете и разберете тези инструкции и инструкциите за задвижваната машина. **Запишете тези оригинални инструкции за бъдещи справки.**

Забележка: Фигурите и илюстрациите в това ръководство са дадени само за справка и могат да се различават от вашия специфичен модел. Свържете се с вашия дистрибутор, ако имате въпроси.

За да получите резервни части или техническа помощ в бъдеще, запишете тук модела, типа и кодовия номер на двигателя си заедно с датата на закупуването му. Тези номера са поставени върху вашия двигател (вижте раздел **Характеристики и управление**).

Дата на купуване	
Модел на двигателя - Вид - Настройка	
Сериен номер на двигателя	

Търсете двукоординатен баркод (2D), поставен на някои двигатели. Когато се разчита с 2D-четящо устройство, кодът ще ви даде нашата Интернет страница, където можете да имате достъп до информация за поддръжка на този продукт. Въвеждане на данни. В някои страни е възможно да няма он-лайн достъпна информация за поддръжка.




Информация за рециклиране





Всичките опаковки, отработилото масло и акумулаторите трябва да бъдат рециклирани според действащите правителствени постановления.


Безопасност на оператора

Предупредителни символи за безопасност и предупредителни думи

Предупредителният символ за безопасност  се използва за обозначаване на информацията за безопасност, свързани с опасности, които могат да доведат до нараняване. Предупредителните думи (ОПАСНОСТ, ПРЕДУПРЕЖДЕНИЕ или ВНИМАНИЕ) се използват заедно с предупредителен символ, за да обозначат вероятността и потенциалната тежест на нараняването. Предупредителен символ за безопасност може да се използва, за да покаже типа на опасността.

















 **ОПАСНО** посочва опасност, която, ако не бъде избегната, ще доведе до смърт или сериозно нараняване.

 **ПРЕДУПРЕЖДЕНИЕ** посочва опасност, която, ако не бъде избегната, може да доведе до смърт или сериозно нараняване.

 **ВНИМАНИЕ** посочва опасност, която, ако не бъде избегната, би могла да доведе до малка или средна степен на нараняване.

ПРЕДУПРЕЖДЕНИЕ посочва ситуация, която би могла да доведе до повреждане на продукта.

Символи за опасности и техните значения

Символ	Значение	Символ	Значение
	Информация по техника на безопасност относно рискове, които могат да причинят нещастен случай.		Прочетете и разберете Ръководството за оператора, преди да работите или правите техническо обслужване на агрегата.
	Опасност от пожар		Опасност от взрив
	Опасност от ударно въздействие		Опасност от токсични изпарения
	Опасност от нагорещена повърхност		Опасност от висок шум - При продължително ползване се препоръчва защита на слуха.
	Опасност от изхвърляне на предмет - Носете защитни очила.		Опасност от взрив
	Опасност от обледяване		Опасност от откат (обратен удар)
	Опасност от отрязване на крайник - движещи се части		Опасност от химикали
	Опасност от топлинно въздействие		Корозивен

Съобщения за безопасност



ПРЕДУПРЕЖДЕНИЕ

Някои от съставните елементи на този продукт и свързаните с тях приспособления съдържат химически вещества, известни в щата Калифорния като причинители на рак, увреждания при новородени или други увреждания, свързани с репродуктивната способност. След работа с тях, измийте ръцете си.



ПРЕДУПРЕЖДЕНИЕ

Изгорелите газове от този продукт съдържат химически вещества, известни в щата Калифорния като причинители на рак, увреждания при новородени или други увреждания, свързани с репродуктивната способност.



ПРЕДУПРЕЖДЕНИЕ

Двигателите на Briggs & Stratton не са предназначени за и не трябва да се използват за захранване на: развлекателни картове; състезателни картове; детски, развлекателни или спортни вседходни превозни средства (АТВ-та); мотоциклети; съдове на въздушна възглавница; продукти за авиацията или превозни средства, използвани в състезания, които не са разрешени от Briggs & Stratton. За информация относно изделия за състезателни цели вижте www.briggsracing.com. При използване на АТВ, моля, свържете се с Приложния център за двигатели на Briggs & Stratton на тел. 1-866-927-3349. Неправилното приложение на двигателя може да причини нещастен случай или смърт.



ПРЕДУПРЕЖДЕНИЕ

Горивото и неговите пари са изключително огнеопасни и избухливи.

Пожар или взрив могат да причинят сериозни изгаряния или смърт.

Когато доливате гориво

- Изключете двигателя и го оставете да изстине за поне 3 минути, преди да свалите капачката на горивото.
- Пълнете резервоара за гориво на открито или в добре проветриво помещение.
- Не препълвайте резервоара за гориво. За да оставите възможност за разширение на горивото, не пълнете над долната част на на гърлото на резервоара.
- Дръжте горивото далече от искри, открити пламъци, пилотни светлини, топлина и други източници на запалване.
- Проверявайте често горивопроводите, резервоара, капачката и съединенията за пукнатини или течове. Сменете ги, ако е необходимо.
- Ако горивото се разлиее, изчакайте докато се изпари, преди да стартирате двигателя.

При стартиране на двигателя

- Уверете се, че запалителната свещ, шумозаглушителя, капачката на резервоара за гориво и въздушния филтър (ако има такива) са на мястото си и са обезопасени.
- Не развъртайте двигателя с извадена запалителна свещ.
- Ако двигателят се задави, поставете смукача (ако има такъв) в позиция OPEN/RUN (Отворен/Работа), преместете дросела (ако има такъв) в позиция FAST (Бързо) и въртете докато двигателя стартира.

При работа с оборудването

- Не наклонявайте двигателя или машината под ъгъл, който води до разливане на горивото.
- Не запущайте камерата на карбуратора, за да спрете двигателя.
- Никога не стартирайте и не работете с двигателя при отстранен комплект на въздушния филтър (ако има такъв) или при отстранен въздушен филтър (ако има такъв).

Когато сменяте маслото

- Ако източвате маслото от горната тръба за пълнене с масло, резервоарът за гориво трябва да бъде празен или то може да изтече и да причини пожар или експлозия.

При наклоняване на устройството за техническо обслужване

- Когато извършвате техническо обслужване, изискващо наклоняване на устройството, резервоарът за гориво, ако е снабден с такъв двигателя, трябва да бъде празен, или то може да изтече и да причини пожар или експлозия.

При транспортиране на оборудването

- Транспортирайте с ПРАЗЕН резервоар за горивото или с клапан за подаване на горивото на ЗАТВОРЕНА позиция.

Когато съхранявате гориво или оборудване с гориво в резервоара

- Съхранявайте далече от печки, печки, водонагреватели или други електрически уреди, които имат сигнални лампи или други запалителни източници, защото те могат да възпламенят изпаренията от горивото.



ПРЕДУПРЕЖДЕНИЕ

Пускането на двигателя създава искрене.

Искренето може да запали близките запалими газове.

Биха могли да възникнат експлозия и пожар.

- Ако има изтичане на природен или втечен газ пропан в помещението, не стартирайте двигателя.
- Не използвайте течности за начално запалване под налягане, защото парите им са възпламеними.



ПРЕДУПРЕЖДЕНИЕ

ОПАСНОСТ ОТ ОТРОВНИ ГАЗОВЕ. Отработените газове от двигателя съдържат въглероден оксид, отровен газ, който би могъл да Ви убие за минути. **Вие НЕ МОЖЕТЕ да го видите, да го помиришете или вкусите.** Дори ако не помиришете отработените газове, все още може да бъдете изложени на въздействието на въглеродния оксид. Ако усетите гадене, замаяване или слабост докато използвате този продукт, **ВЕДНАГА излезте на чист въздух. Посетете лекар.** Възможно е да сте получили отравяне от въглероден оксид.

- Работете с този продукт САМО на открито, далече от прозорци, врати и вентилационни отвори, за да намалите риска от натрупване на въглероден оксид и евентуалното му пренасяне към обитавани пространства.
- Монтирайте сигнални уредби за въглероден оксид, захранвани с батерии или такива, захранвани чрез контакт, които се включват при появата му, според инструкциите на производителя. Сигналните уредби за дим не могат да засичат въглероден оксид.
- **НЕ РАБОТЕТЕ** с този продукт в домове, гаражи, мазета, непреходни коридори, хангари или други частично затворени помещения, дори при използване на вентилатори или при отворени врати и прозорци за вентилация. Въглеродният оксид може бързо да се натрупа в тези помещения и да се задържи в продължение на часове, дори след като този продукт е изключен.
- **ВИНАГИ** поставяйте този продукт по посока на въздушното течение и насочвайте изгорелите газове от двигателя далеч от обитаваните помещения.



ПРЕДУПРЕЖДЕНИЕ

Бързото издърпване на пусковото въже (обратен удар) придърпва ръката към двигателя по-бързо, отколкото можете да я отдръпнете.

Това може да причини счупени кости, фрактури, контузии или навяхвания.

- При стартиране на двигателя, издърпайте бавно пусковото въже докато усетите съпротивление, а след това дръпнете рязко, за да избегнете обратния удар.
- Изключете всички външни товари на оборудването/двигателя преди да го стартирате.
- Директно прикачените към двигателя елементи като, но не само, ножове, перки, лебедки, зъбни колела и други, трябва да бъдат сигурно прикрепени.



ПРЕДУПРЕЖДЕНИЕ

Въртящите се части могат да захванат или завлекат ръцете, краката, косата, облеклото или аксесоари.

Може да се достигне до травматична ампутация или сериозно нараняване.

- Работете с двигателя при поставени защитни капаци.
- Дръжте ръцете и краката си на разстояние от въртящите се части.
- Връзвайте дълги коси и и сваляйте бижута преди да работите с устройството.
- Не носете по себе си широко облекло, висящи шнурове или вещи, които могат да бъдат захванати.



ПРЕДУПРЕЖДЕНИЕ

Работещите двигатели отделят топлина. Частите на двигателя, особено шумозаглушителят, стават изключително горещи.

При контакт може да се получат сериозни топлинни изгаряния.

Запалими отпадъци като листа, трева, сухи клонки и др., могат да бъдат запалени.

- Оставете шумозаглушителя, цилиндъра на двигателя и охлаждащите пластини да се охладят, преди да ги докосвате.
- Отстранете натрупаните отпадъци от зоните на шумозаглушителя и цилиндъра.
- Според Правилника на Калифорния за обществените ресурси, Раздел 4442, използването или работата с двигателя по залесени с гори, храсти или с тревни площи, представлява нарушение, освен ако системата за отработени газове не е снабдена с искрогасител, поддържан в ефикасно работно състояние, както е определено в Раздел 4442. Възможно е други щатски или федерални законодателства да имат подобни закони. Свържете се с производителя, търговеца или продавача на оригинално оборудване, за да получите

искроуловител, проектиран за системата за отработени газове на този двигател.



ПРЕДУПРЕЖДЕНИЕ

Случайно искрене може да доведе до пожар или електрически удар.

Случайно стартиране може да доведе до захващане, травматична ампутация или разкъсване на плътта.

Опасност от пожар

Преди извършване на регулировки или поправки:

- Откачете кабела на запалителната свещ и го дръжте далеч от нея.
- Откачете отрицателната клемма на акумулатора (само при двигатели с електрически стартер).
- Използвайте само правилните инструменти.
- Не застопорявайте с регулираща пружина, връзки или други части, за да повишавате оборотите на двигателя.
- Резервните части трябва да бъдат със същата конструкция и да се монтират в същото положение, както оригиналните части. Части от друг производител може да не работят добре, може да повредят устройството или да доведат до нараняване.
- Не удряйте маховика с чук или твърд предмет, защото той може да се счупи по време на работа.

Когато тествате за искра:

- Използвайте одобрен тестер за свещи.
- Не проверявайте за искра при извадена свещ.

Елементи и управления

Управления на двигателя

Сравнете илюстрацията (фигура: 1, 2, 3, 4) с вашия двигател, за да се запознаете с разположението на различните елементи и управления.

- A. Идентификационни номера на двигателя **Модел - Тип - Код**
- B. Запалителна свещ
- C. Резервоар за гориво и капачка
- D. Въздушен филтър
- E. Ръкохватка на въжето за ръчния стартер
- F. Отвор за пълнене с масло и нивопоказател
- G. Пробка за източване на маслото
- H. Шумозаглушител, кожух на шумозаглушителя (ако има такъв), искрогасител (ако има такъв)
- I. Лост на смукача
- J. Ръчна газ (ако има такава)
- K. TransportGuard™ - лост за горивото и запалването
- L. Решетка на отвора за въздух
- M. Редукторна кутия (ако е налична)
- N. Стоп-ключ (ако има такъв)
- O. Превключвател за електрически стартер, ако има такъв ¹

¹ Някои двигатели и оборудване са снабдени с устройства за дистанционно управление. Направете справка в Ръководството за работа с оборудването за разположението и работата с устройствата за дистанционно управление.

Символи за управление на двигателя и техните значения

Символ	Значение	Символ	Значение
	Обороти на двигателя - FAST (бързи)		Обороти на двигателя - SLOW (бавни)

Символ	Значение	Символ	Значение
	Обороти на двигателя - STOP (спрян)		ON - OFF (Вкл. - Изкл.)
	Стартиране на двигателя - Смукач CLOSED (затворен)		Стартиране на двигателя - Смукач OPEN (отворен)
	Капачка на резервоара за гориво Кранче за подаване на гориво - OPEN (отворено)		Кранче за подаване на гориво - CLOSED (затворено)
	Ниво на горивото - Максимално Не препълвайте		

Работа

Препоръки за маслото

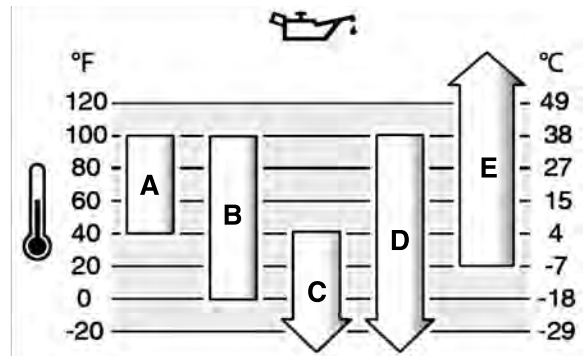
Вместимост на масло: Вижте *Раздел Спецификации на маслото*.

ПРЕДУПРЕЖДЕНИЕ

Този двигател се доставя от Briggs & Stratton без масло. Производителите на оборудването или търговците може да са добавили масло в двигателя. Преди да стартирате двигателя за първи път, се уверете, че сте проверили и добавили масло в него според инструкциите в настоящото ръководство. Ако стартирате двигателя без масло, той ще се повреди, без да бъде възможно да се ремонтира и без покритие от гаранцията.

За най-добро представяне препоръчваме да се използват сертифицираните масла с гаранция на Briggs & Stratton. Приемливи са и други висококачествени прочистващи масла от клас SF, SG, SH, SJ или по-висок. Не използвайте специални добавки.

Външните температури определят правилния вискозитет на маслото за двигателя. Използвайте таблицата, за да изберете най-добрия вискозитет според очаквания диапазон на външната температура. Двигателите на по-голямата част от оборудването с външно захранване работят добре със синтетично масло 5W-30. За оборудване, което се използва при високи температури, синтетичното масло Vanguard™ 15W-50 осигурява най-добра защита.



A	SAE 30 - При температури под 40°F (4°C) употребата на SAE 30 ще доведе до трудно стартиране.
B	10W-30 - При температури над 80°F (27°C) употребата на 10W-30 може да предизвика повишен разход на масло. Проверявайте нивото на маслото често.
C	5W-30
D	Синтетично масло 5W-30
E	Vanguard™ Synthetic 15W-50

Проверка на нивото на маслото

Вижте Фигура: 5

Преди наливане или проверяване на маслото

- Уверете се, че двигателят е хоризонтално разположен.
 - Почистете мястото около отвора за наливане на масло от всички отломки.
1. Свалете нивопоказателя за маслото (А, Фигура 5) и го избършете с чист плат.
 2. Поставете нивопоказателя (А, Фигура 5). **Не го въртете или затягайте.**
 3. Свалете нивопоказателя и проверете нивото на маслото. Коририрайте нивото на маслото до горната граница на индикатора (В, Фигура 5) върху нивопоказателя.
 4. Ако нивото на маслото е ниско, внимателно долейте през отвора за наливане на масло (С, Фигура 5). Напълнете до точката на преливане.
 5. Поставете отново нивопоказателя (А, Фигура 5) и го затегнете.

Система за защита при ниско ниво на маслото (ако има такава)

Някои двигатели са оборудвани с датчик за ниско ниво на маслото. Ако нивото на маслото е ниско, датчикът или ще включи сигнален индикатор или ще спре двигателя. Спрете двигателя и следвайте тези етапи, преди да го пуснете отново.

- Уверете се, че двигателят е хоризонтално разположен.
- Проверете нивото на маслото. Направете справка в раздела **Проверка на нивото на маслото**.
- Ако нивото на маслото е ниско, долейте съответното количество масло. Пуснете двигателя и се уверете, че предупредителният индикатор (ако има такъв) не е задействан.
- Ако нивото на маслото е ниско, не пускайте двигателя. Свържете се с Оторизиран сервизен представител на Briggs & Stratton за отстраняване на проблема с маслото.

Препоръки за горивото

Горивото трябва да отговаря на следните изисквания:

- Чист, пресен, безоловен бензин.
- Минимално октаново число от 87/87 AKI (антидетонационен коефициент)(91 RON)(пътно октаново число). За използване при голяма надморска височина, вижте по-долу.
- Бензин, с не повече от 10% съдържание на етанол (бензоспирт), е допустим.

ПРЕДУПРЕЖДЕНИЕ Да не се използват неодобриени марки бензини, като напр. E15 и E85. Да не се смесва масло и бензин и да не се модифицира двигателят за работа с алтернативни горива. Използването на неодобриени горива ще причини повреда на детайли от двигателя, която няма да бъде под гаранция.

За да предпазите горивната система от образуването на смоли, прибавете стабилизатор на горивото към него. Вижте **Складиране**. Не всички горива са еднакви. Ако изникнат проблеми със стартирането или техническите показатели, сменете доставчика на гориво или сменете търговските марки гориво. Този двигател има сертификат да работи с бензин. Системата за контрол над вредните емисии за двигателя е тип EM (Модификации на двигателя).

Голяма надморска височина

При надморска височина над 5 000 фута (1524 метра) е приемлив бензин с октаново число минимум 85 /85 AKI (89 RON), където AKI е антидетонационен коефициент, а RON е окт. число по метода на изследване.

При двигатели с карбуратор се изисква регулиране за голяма надморска височина, за да се поддържа производителността им. Работа на двигателя, без да е направено такова регулиране, ще доведе до намаляване на производителността, повишено потребление на гориво и по-голямо отделяне на емисии. Направете справка при Оторизиран сервизен представител на Briggs & Stratton за сведения относно настройката за голяма надморска височина. Не се препоръчва работа на двигателя при надморска височина под 2 500 фута (762 м) с направено регулиране за голяма надморска височина.

За двигателите (EFI) с електронно управление на впръскването на гориво не е необходимо регулиране за голяма надморска височина.

Наливане на гориво

Вижте Фигура: 6



ПРЕДУПРЕЖДЕНИЕ Горивото и неговите пари са изключително огнеопасни и избухливи.

Пожар или взрив могат да причинят сериозни обгаряния или смърт.

При доливане на гориво

- Изключете двигателя и го оставете да се охлади най-малко 2 минути, преди да свалите капачката на резервоара за гориво.
 - Пълнете резервоара за гориво на открито или в добре проветриво помещение.
 - Не препълвайте резервоара за гориво. За да позволите разширение на бензина, не пълнете над долната основа на гърловината за наливане на гориво.
 - Дръжте горивото далеч от искри, открити пламъци, сигнални лампи, топлина и други запалителни източници.
 - Проверявайте често горивопроводите, резервоара, капачката и съединенията за пукнатини и течове. Заменете ги ако е необходимо.
 - Ако горивото се разлее, изчакайте докато то се изпари, преди да стартирате двигателя.
1. Почистете пространството около капачката на резервоара за гориво от мръсотия и наслоявания. Свалете капачката за горивото.
 2. Напълнете резервоара за гориво (А, Фигура 6) с гориво. За да позволите разширение на горивото, не пълнете над долната основа на гърловината за наливане на гориво (В).
 3. Поставете обратно капачката.

Стартиране и спиране на двигателя

Вижте фигура: 7, 8

Стартиране на двигателя



ПРЕДУПРЕЖДЕНИЕ Бързото притегляне на пусковото въже (обратен удар) придърпва ръката към двигателя по-бързо, отколкото вие можете да я отдръпнете.

Това може да причини счупени кости, фрактури, контузии и навяхвания.

- При стартиране на двигателя изтеглете бавно пусковото въже, докато почувствате съпротивление, след което го дръпнете рязко, за да избегнете обратния удар.



ПРЕДУПРЕЖДЕНИЕ Горивото и неговите пари са изключително огнеопасни и избухливи.

Пожар или взрив могат да причинят сериозни обгаряния или смърт.

При стартиране на двигателя

- Уверете се, че запалителната свещ, шумозаглушителя, капачката на резервоара за гориво и въздушния филтър (ако има такива) са на мястото си и са безопасни.
- Не развъртайте двигателя с извадена запалителна свещ.
- Ако двигателят се задави, поставете смукача (ако има такъв) на позиция OPEN или RUN, придвижете ръчната газ (ако има такава) на позиция FAST и развъртайте, докато двигателят стартира.



ПРЕДУПРЕЖДЕНИЕ **ОПАСНОСТ ОТ ОТРОВНИ ГАЗОВЕ.** Отработилите газове от двигателя съдържат въглероден оксид, отровен газ, който би могъл да ви убие за минути. Вие НЕ МОЖЕТЕ да го видите, да го помиришете или вкусите. Дори ако не можете да помиришете отработилите газове, вие, все още, може да бъдете изложени на въздействието на въглеродния оксид. Ако започнете да се чувствате зле, объркан или отслабнал, когато ползвате това изделие, излезте ВЕДНАГА на чист въздух. Отидете на лекар. Възможно е да сте получили отравяне от въглероден оксид.

- Работете с този продукт САМО на открито, далеч от прозорци, врати и вентилационни отвори, за да намалите опасността от натрупване на въглероден оксид и от потенциалното му насочване към помещения с хора.
- Монтирайте сигнални уредби за въглероден оксид, захранвани с батерии или с такива, включващи се от появата му, според инструкциите на производителя. Сигналните уредби за димни газове не могат да откриват въглеродния оксид.
- НЕ ПУСКАЙТЕ този продукт вътре в домове, гаражи, сутерени, непреходни коридори, хангари или други частично затворени помещения, дори при използване на вентилатори или отворени врати и прозорци за вентилация. Въглеродният оксид може бързо да се натрупа в тези помещения и да се задържи в продължение на часове, дори след като този продукт е изключен.

- ВИНАГИ поставяйте този продукт по посока на въздушното течение и насочвайте отработилите димни газове надалеко от заетите с хора помещения.

ПРЕДУПРЕЖДЕНИЕ Този двигател се доставя от Briggs & Stratton без масло. Преди да стартирате двигателя се уверете, че сте налили масло в него според инструкциите в настоящото ръководство. Ако го стартирате без масло, той ще се повреди, без да бъде възможно да се ремонтира и без покритие от гаранцията.

Забележка: Съоръжението може да има устройства за дистанционно управление. Направете справка в Ръководството за работа с оборудването за разположението и работата с устройствата за дистанционно управление.

1. Проверете маслото в двигателя. Направете справка в раздела **Проверка на нивото на маслото**.
2. Уверете се, че задвижващите управления на оборудването, ако има такива, са изключени.
3. Завъртете лоста за горивото или запалването (А, фигура 7), ако има такъв, на позиция „on“ (отв.) или „start“ (старт).
4. Преместете ръчната газ (В, фигура 7), ако има такава, на позиция „fast“ (бързи обороти). Работете с двигателя на позиция „fast“ (бързи обороти).
5. Преместете лоста на смучача (С, фигура 7, 8) на позиция „closed“ (затв.).

Забележка: Обикновено използването на смучач не е необходимо при повторно стартиране на топъл двигател.

6. Придвигнете стоп ключа (Е, фигура 8), ако има такъв, до позиция „on“ (вкл.).
7. **Ръчно стартиране, ако има такава:** Хванете здраво ръкохватката на въжето на стартера (D, фигура 7, 8). Изтеглете бавно ръкохватката на въжето на стартера, докато почувствате съпротивление, след което го дръпнете рязко.



ПРЕДУПРЕЖДЕНИЕ

Бързото оттегляне на пусковото въже (обратен удар) ще притегли цялата ви ръка към двигателя по-бързо, отколкото вие можете да я оттеглите. Това може да причини счупени кости, фрактури, контузии и навяхвания. При стартиране на двигателя изтеглете бавно пусковото въже, докато почувствате съпротивление, след което го дръпнете рязко, за да избегнете обратния удар.

8. **Електрически стартер, ако има такъв** Завъртете ключа за електрическото стартиране (F, фигура 8) на позиция „on“ (вкл.) или „start“ (старт).

ПРЕДУПРЕЖДЕНИЕ За да продължите живота на стартера, използвайте кратки стартови цикли (максимум пет секунди). Изчакайте една минута между отделните стартови цикли.

9. Щом двигателят загрее, поставете лоста на смучача (С, фигура 7, 8) на позиция „open“ (отв.).

Забележка: Ако двигателят не стартира след няколкократни опити, посетете местния дилър или отидете на VanguardEngines.com, или се обадете на **1-800-999-9333** (в САЩ).

Спиране на двигателя



ПРЕДУПРЕЖДЕНИЕ

Горивото и неговите пари са изключително огнеопасни и избухливи.

Пожар или взрив могат да причинят сериозни обгаряния или смърт.

- Не запушвайте камерата на карбуратора, за да спрете двигателя.
1. **Стоп-ключ, ако има такъв** Придвигнете стоп-ключа (Е, фигура 8) на позиция „stop“ (стоп).
 2. **Лост за горивото и запалването, ако има такъв:** Придвигнете лоста за горивото и запалването (А, фигура 7) на позиция „off“ (изкл.) или „stop“ (стоп).
 3. **Електрически стартер, ако има такъв** Извадете ключа. Пазете ключа далеч от достъп на деца.

Техническо обслужване

ПРЕДУПРЕЖДЕНИЕ Ако по време на техническо обслужване двигателят е наклонен, при монтиран резервоар за горивото, той трябва да бъде изпразнен, а страната със запалителната свещ да бъде насочена нагоре. Ако резервоарът не е изпразнен, а двигателят е наклоняван в друга посока, стартирането може да бъде затруднено, поради замърсяване на въздушния филтър и/или запалителната свещ с масло или бензин.



ПРЕДУПРЕЖДЕНИЕ

Когато извършвате техническо обслужване, изискващо наклоняване на агрегата, резервоарът за гориво трябва да бъде изпразнен, или горивото може да потече и да причини пожар или взрив.

Ние ви препоръчваме да посетите Оторизиран сервизен представител на Briggs & Stratton за всички операции по техническото и сервизното обслужване на двигателя и резервните части.

ПРЕДУПРЕЖДЕНИЕ Всички компоненти, използвани при производството на този двигател, трябва да бъдат на мястото си за правилната му работа.



ПРЕДУПРЕЖДЕНИЕ



Случайно искрене може да доведе до пожар или поразяване от електрически ток.

Неволно стартиране може да доведе до захващане, травматична ампутация или до раняване.

Опасност от пожар

Преди извършване на регулировки и поправки:

- Откачете кабела на запалителната свещ и го дръжте далеч от нея.
- Откачете минус-клемата на акумулатора (само при двигатели с електрически стартер).
- Използвайте само подходящи инструменти.
- Не застопорявайте с регулираща пружина, лостчета или други части, за да повишавате оборотите на двигателя.
- Резервните части трябва да бъдат със същата конструкция и да се монтират в същото положение, както оригиналните части. Части от друг производител може да не работят добре, може да повредят агрегата или да доведат до нараняване.
- Не удряйте маховика с чук или твърд предмет, защото той може да се строши по време на работа.

При изпробване за искра:

- Използвайте одобрен тип тестер за свещи.
- Не проверявайте за искра при извадена свещ.

Сервизно обслужване по контрола на вредните емисии

Техническо обслужване, смяна или ремонт на устройствата и ситемите за контрол на вредните емисии могат да се извършват от всяко предприятие или индивидуален специалист по ремонт на двигатели за превозни средства с повишена проходимост. Все пак, за да получите „безплатно“ сервизно обслужване по контрола на вредните емисии, работата трябва да бъде изпълнена от упълномощен представител на завода. Вижте официалните отчети по контрола на вредните емисии.

График за техническото обслужване

След първите 5 часа
<ul style="list-style-type: none"> • Да се смени маслото
На всеки 8 часа или ежедневно
<ul style="list-style-type: none"> • Да се проверява нивото на маслото в двигателя • Да се почистват повърхностите около шумозаглушителя и управленията. • Да се почисти решетката на отвора за въздух
На всеки 25 часа или ежегодно

<ul style="list-style-type: none"> • Да се почиства въздушния филтър ¹ • Да се почиства предфилтъра ¹
На всеки 50 часа или ежегодно
<ul style="list-style-type: none"> • Смяна на маслото на двигателя • Обслужване на изпускателната система
На всеки 100 часа
<ul style="list-style-type: none"> • Да се сменява маслото в редукторната кутия (ако е налична)
Ежегодно
<ul style="list-style-type: none"> • Да се сменя запалителната свещ • Да се сменя въздушния филтър • Да се сменя предфилтъра • Да се обслужва горивната система • Да се обслужва охладителната система ¹ • Да се проверява междината на клапаните ²

¹ При наличие на запрашеност или носещи се в околното пространство отломки, да се почиства по-често.

² Не се налага, освен ако не бъдат забелязани проблеми с техническите показатели на двигателя.

Карбуратор и обороти на двигателя

Никога не извършвайте настройки на карбуратора и оборотите на двигателя. Карбураторът е заводски регулиран да работи ефективно при повечето работни условия. Не застопорявайте с регулираща пружина, лостчета или други части, за да промените оборотите на двигателя. Ако се налагат някакви настройки се обърнете към оторизиран сервизен представител на Briggs & Stratton за обслужване.

ПРЕДУПРЕЖДЕНИЕ Производителят на задвижваното оборудване определя максималните обороти за двигателя, монтиран на него. **Не превишавайте тези обороти.** Ако не сте уверени какви са максималните обороти на оборудването или какви обороти са регулирани от завода, свържете се с Оторизиран сервизен представител Briggs & Stratton за помощ. За безопасна и правилна работа на оборудването оборотите на двигателя трябва да се регулират само от квалифициран сервизен техник.

Обслужване на запалителната свещ

Вижте Фигура: 9

Проверявайте междината (А, Фигура 9) с помощта на калибър за тел (В). Ако е необходимо, регулирайте междината. Монтирайте и затегнете свещта с препоръчвания въртящ момент. За регулиране на междината или относно въртящия момент за затягане, направете справка в раздел **Технически данни**.

Забележка: На някои места, местният закон изисква употребата на резисторна свещ, за да се подтискат радиосмущенията. Ако настоящият двигател е фабрично оборудван с резисторна свещ, използвайте същия тип свещ за смяна.

Обслужване на изпускателната система



ПРЕДУПРЕЖДЕНИЕ

Работещите двигатели отделят топлина. Частите на двигателяте, особено шумозаглушителя, стават изключително горещи.

При допир може да получите сериозно изгаряне.

Горимите отпадъци, като листа, тревя, хрсталак и други, могат да се запалят.

- Оставете шумозаглушителя, цилиндъра на двигателя и ребрата да се охладят, преди да ги докосвате.
- Отстранете натрупаните отломки около шумозаглушителя и цилиндъра.
- Използването или работата с двигателя, по залесени с гори, храсти или с тревя площи, според Правилника на Калифорния за обществените ресурси, Раздел 4442, представлява нарушение, освен ако двигателят не е снабден с искрогасител, поддържан в ефективно работно състояние, както е определено в Раздел 4442 В другите щати и федерални юрисдикции може да има подобни закони. Свържете се със производителя на оригиналното оборудване, с продавача на дребно или дилъра, за да си набавите искрогасител, проектиран за изпускателната система на този двигател.

Отстранете натрупаните отломки около шумозаглушителя и цилиндъра. Проверете шумозаглушителя за пукнатини, корозия или друг вид повреда. Свалете искрогасителя, ако има такъв, и го проверете за повреда или запушване със сажди. Ако откриете повреда, монтирайте резервните части, преди да започнете работа.



ПРЕДУПРЕЖДЕНИЕ

Резервните части трябва да бъдат със същата конструкция и да се монтират в същото положение, както оригиналните части. Части от друг производител може да не работят добре, може да повредят агрегата или да доведат до нараняване.

Смяна на маслото на двигателя

Вижте Фигура: 10, 11

Отработилото масло е опасен отпадъчен продукт и трябва да се складира по подходящ начин. Не го изхвърляйте с домакинските отпадъци. Проверете съвместно с общинските власти, за обслужващ център или за представител на инсталации за безопасно депониране/рециклиране на отработилото масло.

Източване на маслото

1. При изключен, но все още топъл двигател, откачете кабела за свещта (D, фигура 10) и го дръжте далече от запалителната свещ (E).
2. Извадете нивопоказателя (A, фигура 11).
3. Свалете пробката за източване на маслото (F, фигура 11). Източете маслото в един подходящ контейнер.

Забележка: На двигателя са монтирани различни пробки за източване на маслото (G, фигура 11).

4. След като маслото е източено, монтирайте и затегнете пробката за маслото (F, фигура 11).

Наливане на масло

- Уверете се, че двигателят е хоризонтално разположен.
- Почистете мястото около отвора за наливане на масло от всички отломки.
- Направете справка в раздел **Технически данни** относно вместимостта за маслото.

1. Свалете нивопоказателя за маслото (A, Фигура 11) и го избършете с чист плат.
2. Внимателно налейте масло през отвора за наливане в двигателя (C, Фигура 11). Напълнете до точката на преливане.
3. Монтирайте нивопоказателя (A, Фигура 11). **Не го завъртайте или затягайте.**
4. Свалете нивопоказателя и проверете нивото на маслото. Коригирайте нивото на маслото до горния белег за напълване (B, Фигура 11) върху нивопоказателя.
5. Поставете и затегнете отново нивопоказателя (A, Фигура 11).
6. Свържете кабела за запалителната свещ (D, Фигура 10) към запалителната свещ (E).

Смяна на маслото в редукторната кутия

Вижте фигура: 12, 13

6:1 Редукторна кутия (фигура 12)

Ако вашият двигател е снабден с редукторна кутия 6:1, обслужвайте я, както следва:

1. Свалете пробката за наливане на маслото (A, Фигура 12) и пробката за отчитане на нивото на маслото (B).
2. Свалете пробката за източване на маслото (C, Фигура 12) и източете маслото в подходящ съд.
3. Поставете отново и затегнете пробката за източване на маслото (C, Фигура 12).
4. За да я напълните отново, бавно налейте зъбната смазка (направете справка в раздела **Технически данни**) през отвора за пълнене с масло (D, Фигура 12). Продължавайте да наливате, докато маслото потече през отвора за проверка на нивото му (E).
5. Поставете отново и затегнете пробката на отвора за проверка на нивото на маслото (B, Фигура 12).
6. Поставете отново и затегнете пробката на отвора за пълнене с масло (A, Фигура 12).

Забележка: Пробката на отвора за пълнене с масло (А, Фигура 12) има вентилационен отвор (F) и трябва да се монтира отгоре на капака на редукторния картер, както е показано.

Редукторна кутия 2:1 (фигура 13)

Редукторната кутия 2:1 (G, фигура 13) не се нуждае от смяна на маслото.

Обслужване на въздушния филтър

Вижте фигура: 14, 15, 16



ПРЕДУПРЕЖДЕНИЕ

Горивото и неговите пари са изключително огнеопасни и избухливи.

Пожар или взрив могат да причинят сериозни обгаряния или смърт.

- Никога не стартирайте и не работете с двигателя при демонтирани комплект на въздушния филтър (ако има такъв) или въздушен филтър (ако има такъв).

ПРЕДУПРЕЖДЕНИЕ Не използвайте сгъстен въздух или разтворители, за да почистите филтъра. Сгъстеният въздух може да повреди филтъра, а разтворителите го разтварят.

Направете справка в **Графика за техническото обслужване** относно изискванията за обслужване.

Различни модели използват или филтри от пенопласт, или хартиени филтри. Някои модели са оборудвани и с предфилтър, който може да бъде промиван и повторно използван. Сравнете илюстрациите в това ръководство с типа филтър, монтиран на вашия двигател и го обслужвайте, както следва.

Въздушен филтър от пенопласт

1. Разхлабете фиксатора (ите) (А, Фигура 14).
2. Свалете капака (В, Фигура 14).
3. Свалете фиксатора (D, Фигура 14) и шайбата (E).
4. За да предотвратите отломки да попаднат в карбуратора, внимателно свалете филтърния елемент от пенопласт (С, Фигура 14) от основата на въздушния филтър (G).
5. Свалете поддържащата чашка (F, Фигура 14) от филтърния елемент от пенопласт (C).
6. Измийте елемента от пенопласт (С, Фигура 14) в разтвор от течен почистващ препарат и вода. Изстискайте го до сухо в чист плат.
7. Накиснете елемента от пенопласт (С, Фигура 14) в чисто масло за двигателя. За да отстраните излишното масло, изстискайте елемента от пенопласт в чист плат.
8. Въведете поддържащата чашка (F, Фигура 14) към филтърния елемент от пенопласт (C).
9. Монтирайте елемента от пенопласт (С, Фигура 14) към основата на въздушния филтър (G) и върху шпилката (H). Уверете се, че елементът от пенопласт е правилно монтиран към филтърната основа и го закрепете с шайбата (E) и фиксатора (D).
10. Монтирайте капака (В, Фигура 14) и го закрепете със скрепителния(те) елемент(и) (А). Уверете се, че фиксаторът(ите) е(са) затегнат(и).

Въздушен филтър с хартиен филтърен елемент

1. Разхлабете фиксатора (ите) (А, Фигура 15).
2. Свалете капака (В, Фигура 15).
3. Свалете фиксатора (E, Фигура 15).
4. За да предотвратите наслоявания да попаднат в карбуратора, внимателно свалете предфилтъра (D, Фигура 15), ако има такъв и филтъра (C) от филтърната основа (F).
5. За да освободите наслояванията, леко почуквайте филтъра (С, Фигура 15) върху твърда повърхност. Ако филтърът е прекомерно замърсен, заменете го с нов.
6. Свалете предфилтъра (D, Фигура 15), ако има такъв, от филтъра (C).
7. Промийте предфилтъра (D, Фигура 15) във воден разтвор на почистващ препарат. Оставете предфилтъра добре да изсъхне. **Не** смазвайте предфилтъра.
8. Монтирайте изсъхналия предфилтър (D, Фигура 15), ако има такъв, към филтъра (C).

9. Монтирайте уплътнителната шайба (H, Фигура 15), филтъра (C) и предфилтъра (D), ако има такъв, върху филтърната основа (F) и върху шпилката (G). Уверете се, че филтърът е правилно сглобен към филтърната основа и го закрепете с фиксатора (E).
10. Монтирайте капака (В, Фигура 15) и го закрепете със фиксатора(ите) (А). Уверете се, че фиксаторът(ите) е(са) затегнат(и).

Въздушен филтър с хартиен филтърен елемент

1. Разхлабете фиксатора (ите) (D, фигура 16).
2. Свалете капака (А, фигура 16).
3. Свалете предфилтъра (С, фигура 16), ако има такъв, и филтъра (В).
4. За да освободите наслояванията, леко почуквайте филтъра (В, фигура 16) върху твърда повърхност. Ако филтърът е прекомерно замърсен, заменете го с нов.
5. Промийте предфилтъра (С, фигура 16), ако има такъв, във воден разтвор на почистващ препарат. Оставете предфилтъра добре да изсъхне. **Не** смазвайте предфилтъра.
6. Поставете сух предфилтър (С, фигура 16), ако има такъв, и филтъра (В).
7. Монтирайте капака (А, фигура 16) и го закрепете със фиксатора(ите) (D). Уверете се, че фиксаторът(ите) е(са) затегнат(и).

Обслужване на горивната система

Вижте Фигура: 17, 18



ПРЕДУПРЕЖДЕНИЕ

Горивото и неговите пари са изключително огнеопасни и избухливи.

Пожар или взрив могат да причинят сериозни обгаряния или смърт.

- Дръжте горивото далеч от искри, открити пламъци, сигнални лампи, топлина и други запалителни източници.
- Проверявайте често горивопроводите, резервоара, капачката и съединенията за пукнатини и течове. Заменяйте ги ако е необходимо.
- Преди почистване или смяна на филтъра за гориво, източете резервоара или затворете кранчето за подаване на гориво.
- Ако горивото се разлиее, изчакайте докато то се изпари, преди да стартирате двигателя.
- Резервните части трябва да бъдат със същото качество и да се монтират в същата позиция, както оригиналните части.

Филтър за горивото, ако има такъв

1. Преди почистване или смяна на филтъра за гориво (D, Фигура 17), източете резервоара или затворете кранчето за подаване на гориво. В противен случай, горивото може да протече, създавайки опасност от пожар или взрив.
2. Използвайте плоски клещи да притиснете пластините (В, Фигура 17) на скобите (С), след това плъзнете скобите настрана от филтъра за гориво (А). Усучете и изтеглете горивопроводите (D) от филтъра за гориво.
3. Проверете горивопроводите (D, Фигура 17) за пукнатини или течове. Сменете ги, ако е необходимо.
4. Сменете филтъра за гориво (А, Фигура 17) с оригинален резервен филтър.
5. Закрепете горивопроводите (D, Фигура 17) със скобите (С), както е показано.

Филтър за горивото, ако има такъв

1. Свалете капачката на резервоара за горивото (А, Фигура 18).
2. Свалете капачката на резервоара за горивото (А, Фигура 18).
3. Ако филтърът за горивото е замърсен, почистете го или го сменете. Ако я смените, уверете се, че поставяте оригинална цедка за гориво.

Обслужване на охладителната система



ПРЕДУПРЕЖДЕНИЕ

Работещите двигатели отделят топлина. Частите на двигателите, особено шумозаглушителя, стават изключително горещи.

При допир може да получите сериозно изгаряне.

Горимите отпадъци, като листа, тревы, храсталак и други, могат да се запалят.

- Оставете шумозаглушителя, цилиндъра на двигателя и ребрата да се охладят, преди да ги докосвате.
- Отстранете натрупаните отломки около шумозаглушителя и цилиндъра.

ПРЕДУПРЕЖДЕНИЕ Не използвайте вода, за да почистите двигателя. Водата може да замърси горивната система. Използвайте четка или сух плат, за да го почистите.

Това е двигател с въздушно охлаждане. Нечистотиите и наслояванията могат да ограничат въздушния поток и да причинят прегряването му, което води до намаляване на показателите и продължителността на живота му.

1. Използвайте четка или сух плат, за да отстраните наслояванията от решетката на отвора за въздуха.
2. Пазете чисти лостовата система, пружините и управленията
3. Пазете пространството около и зад шумозаглушителя свободно от всякакви запалими наслоявания.
4. Убедете се, че пластините за охлаждане на маслото са почистени от замърсяване и наслоявания.

След известно време наслояванията могат да се натрупат по охладителните пластини на цилиндъра и да доведат до прегряване на двигателя. Тези наслоявания не могат да се отстранят без частично разглобяване на двигателя. Потърсете Оторизиран сервизен представител на Briggs & Stratton за проверка и почистване на въздушната охладителна система, както се препоръчва в **Графика за техническо обслужване**.

Складиране



ПРЕДУПРЕЖДЕНИЕ

Горивото и неговите пари са изключително огнеопасни и избухливи.

Пожар или взрив могат да причинят сериозни изгаряния или смърт.

Когато складираме гориво или оборудване с гориво в резервоара

- Складирайте далече от пещи, печки, водонагреватели или други електрически устройства, които имат сигнални лампи или други запалителни източници, защото те могат да възпламенят изпаренията от горивото.

Горивна система

Вижте Фигура: 19

Съхранявайте двигателя в хоризонтално положение (нормално работно положение). Напълнете резервоара за гориво (А, фигура 19) с гориво. За да се даде възможност за топлинно разширение на горивото, не пълнете над долната част на гърлото на резервоара (В).

Горивото може да се развали, когато се съхранява повече от 30 дни. Застоялото гориво предизвиква образуване на киселини и смолисти отлагания в горивната система или в основни части на карбуратора. За да поддържате свежестта на горивото, използвайте **усъвършенстваната формула за обработване и стабилизиране на горивото на Briggs & Stratton**, която е налична навсякъде, където се продават оригинални части на Briggs & Stratton.

Ако стабилизаторът за гориво се добави съгласно инструкциите, не е необходимо да се източва бензина от двигателя. Оставете двигателя да работи две (2) минути, за да може да премине стабилизатора през горивната система преди съхранение.

Ако бензина в двигателя не е бил обработван със стабилизатор за гориво, той трябва да бъде източен в подходящ за целта съд. Оставете двигателя да работи, докато спре поради изчерпване на горивото. За да поддържате свежестта на горивото при складирането му, препоръчваме използването на стабилизатор.

Масло на двигателя

Докато двигателят е все още топъл, сменете маслото. Вижте раздела **Смяна на маслото на двигателя**.

Откриване и отстраняване на неизправности

Ако двигателят не стартира след няколкократни опити, посетете **VanguardEngines.com** или се обадете **1-800-999-9333** (в САЩ).

Технически данни

Модел: 130000	
Работен обем	12.48 ci (205 cc)
Вътрешен диаметър на цилиндъра	2.688 in (68,28 mm)
Работен ход на буталото	2.200 in (55,88 mm)
Вместимост за масло	20 - 22 oz (,59 - ,65 L)
Вид масло за редукторната кутия	80W-90
Вместимост за маслото в редукторната кутия	4 oz (,12 L)
Искрова междина на запалителната свещ	,030 in (,76 mm)
Въртящ момент за затягане на запалителната свещ	180 lb-in (20 Nm)
Въздушна междина между ротора и статора	,010 - ,014 in (,25 - ,36 mm)
Междина на смукателния клапан	,004 - ,006 in (,10 - ,15 mm)
Междина на изпускателния клапан	,009 - ,011 in (,23 - ,28 mm)

Модел: 190000	
Работен обем	18.63 ci (305 cc)
Вътрешен диаметър на цилиндъра	3.120 in (79,24 mm)
Работен ход на буталото	2.438 in (61,93 mm)
Вместимост за масло	26 - 28 oz (,77 - ,83 L)
Вид масло за редукторната кутия	SAE 30
Вместимост за маслото в редукторната кутия	12 oz (,35 L)
Искрова междина на запалителната свещ	,030 in (,76 mm)
Въртящ момент за затягане на запалителната свещ	180 lb-in (20 Nm)
Въздушна междина между ротора и статора	,010 - ,014 in (,25 - ,36 mm)
Междина на смукателния клапан	,004 - ,006 in (,10 - ,15 mm)
Междина на изпускателния клапан	,004 - ,006 in (,10 - ,15 mm)

Мощността на двигателя намалява с 3,5% на всеки 1000 фута (300 метра) над морското ниво и с 1% за всеки 10°F (5,6°C) над 77°F (25°C). Двигателят ще работи задоволително при наклон до 15°. Направете справка в Ръководството за работа с оборудването за безопасните граници за работа на наклони.

Резервни части - Модел: 130000, 190000	
Резервна част	Номер на частта
Въздушен филтър с филтърен елемент от пенопласт (модел 130000, фигура 14)	797378
Въздушен филтър с филтърен елемент от хартия (модел 130000, фигура 15)	797033
Предфилтър (модел 130000, фигура 15)	798513
Въздушен филтър с филтърен елемент от хартия (модел 190000, фигура 15)	797032
Предфилтър (модел 190000, фигура 15)	798795
Въздушен филтър с филтърен елемент от хартия (Фигура 16)	474279
Предфилтър (фигура 16)	491435S
Усъвършенствана формула на стабилизатора за гориво Fuel Treatment & Stabilizer	100117, 100120
Резисторна запалителна свещ	491055
Ключ за свещ	19576, 5402
Искров тестер	19368

Ние ви препоръчваме да посетите Оторизиран сервизен представител на Briggs & Stratton за всички операции по техническото и сервизното обслужване на двигателя и резервните части.

Скала на мощностите: Пълната мощност е отбелязана върху отделните модели бензинови двигатели в съответствие с Методиката за определяне на номиналната мощност и въртящия момент на малки двигатели в Правилника за техническа експлоатация J1940 и е оценена съгласно Правилника J1995 на SAE (Дружество на инженерите от автомобилната промишленост и транспорта). Стойностите на въртящия момент са изведени при 2600 об./мин. за тези двигатели, чито „об./мин.“ са посочени на етикета, а при 3060 об./мин. - за всички останали; полезните мощности в конски сили са изведени при 3600 об./мин. Графиките на общата мощност може да се видят на www.BRIGGSandSTRATTON.COM. Стойностите на нетната мощност са отчетени при инсталирани системи за отделяне на изгорели газове и за почистване на въздуха, докато стойностите на общата мощност се отчитат без тези приспособления. Действителната обща мощност на двигателя е по-висока от нетната мощност и зависи, освен всичко друго, от условията на работната среда, както и от специфичните особености на всеки двигател. Имайки предвид голямото разнообразие от устройства, на които се монтира такива двигатели, бензиновият двигател може да не е в състояние да развие общата номинална мощност, когато се използва в даден вид оборудване. Тези разлики се дължат на различни фактори, включително, но без ограничение до разнообразните компоненти на двигателите (системи за почистване на въздуха, за отделяне на изгорели газове, за зареждане, за охлаждане, карбуратор, горивна помпа и др.), ограничения на приложението, условия на работната среда (температура, влажност, надморска височина), както и от специфичните особености на всеки двигател. Вследствие на ограниченията за производство и капацитет, Briggs & Stratton може да замени даден двигател с двигател с по-висока номинална мощност.

Гаранция

Гаранция за двигателите Briggs & Stratton

В сила от януари 2017 г.

Ограничена гаранция

Фирма Briggs & Stratton гарантира, че по време на указания по-долу гаранционен период ще поправя или заменя безплатно всяка част, оказала се дефектна по отношение на материалите или изработката, или и двете. Транспортните разходи за изпратения за ремонт или за замяна продукт по тази гаранция трябва да бъдат поети от клиента. Тази гаранция е валидна за определени срок и се подчинява на изложените по-долу условия. За гаранционното обслужване намерете най-близкия упълномощен сервизен представител в нашата указателна карта на адрес BRIGGSandSTRATTON.COM. Потребителят трябва да се свърже с упълномощен сервизен представител, на когото да предостави продукта за оглед и изпитване.

Няма друга изрична гаранция. Подразбиращите се гаранции, включително тези за годност за продажба и за определено предназначение, са ограничени до посочения по-долу гаранционен срок или до степента, разрешена от закона. Отговорността за непредвидени или закономерно настъпили повреди са изключени до степента на изключване, позволена от закона. Някои щати или държави не допускат ограничения за срока на валидност на подразбиращи се гаранции. Също така някои щати или държави не позволяват изключване или ограничаване на отговорността за случайни или закономерно настъпили повреди, така че горното ограничение и изключване може да не се отнася за Вас. Тази гаранция Ви дава определени законови права, а Вие можете да имате и други такива, които са различни в отделните щати и в отделните държави ⁴.

Стандартни гаранционни условия 1, 2, 3

Марка / Име на продукта	Потребителска употреба	Търговска употреба
Vanguard™; Търговска серия	36 месеца	36 месеца
Двигатели с чугунена риза Dura-Bore™	24 месеца	12 месеца
Всички други двигатели	24 месеца	3 месеца

¹ Това са нашите стандартни гаранционни условия, но е възможно понякога да има допълнително гаранционно покритие, което не е било определено към момента на публикуването на този документ. За списък на текущите гаранционни условия за Вашия двигател посетете BRIGGSandSTRATTON.com или се обърнете към Вашия оторизиран сервизен представител на Briggs & Stratton.

² Няма гаранция за двигатели, монтирани на оборудване, ползвано като източник на първично захранване вместо централното захранване или като резервни генератори, ползвани за търговски цели. Двигателите, използвани за състезания, за търговски цели или за отдаване под наем, не са обхванати в гаранционните условия.

³ Vanguard, монтиран на резервни генератори: 24 месеца при потребителска употреба, няма гаранция при търговска употреба. Vanguard, монтиран на сервизни автомобили: 24 месеца при потребителска употреба, 24 месеца за търговска употреба. Търговски серии с дата на производство преди м.юли 2017 г.: 24 месеца за потребителска употреба, 24 месеца за търговска употреба.

⁴ За Австралия - Нашите стоки се доставят с гаранции, които не могат да се изключват по силата на австралийското законодателство за потребителите. При сериозен дефект имате право на замяна или възстановяване на сумата, както и на компенсация за всяка друга нормално предвидима загуба или

повреда. Също така имате право на ремонт или замяна на стоката, в случай че тя не е с приемливо качество и повредата не може да се квалифицира като сериозен дефект. За гаранционното обслужване намерете най-близкия упълномощен сервизен представител в нашата указателна карта на BRIGGSandSTRATTON.COM или се обадете на 1300 274 447, изпратете имейл или пишете на salesenquiries@briggsandstratton.com.au, Briggs & Stratton Australia Pty Ltd, 1 Moorebank Avenue, Moorebank, NSW, Australia, 2170.

Гаранционният срок започва да тече от първоначалната дата на закупуване от първия потребител на дребно или потребител за търговски цели. „Потребителска употреба“ означава употреба за лични и домашни цели от краен потребител. „Търговска употреба“ означава всеки друг вид употреба, включително за търговски цели, за генериране на доходи или за отдаване под наем. След като веднъж двигателят е бил ползван за търговска употреба, по-нататък той ще бъде считан като двигател за търговска употреба за целите на тази гаранция.

Запазете касовата бележка като доказателство за покупката. Ако при необходимост от гаранционно обслужване не осигурите доказателство за датата на първоначалната покупка, за определяне на гаранционния срок ще бъде използвана датата на производство на продукта. Не се изисква регистрация на продукта, за да получите гаранционно сервизно обслужване на продукти на Briggs & Stratton.

Относно Вашата гаранция

Тази ограничена гаранция покрива само употребен в двигателя дефектен материал и/или изработка, а не замяната или възстановяването на средствата за оборудването, към което двигателят може да е монтиран. Текущото техническо обслужване, регулировки, настройки или нормалното износване и изхвърляне не са покрити от тази гаранция. Също така, гаранцията е невалидна, ако двигателят е видоизменен, преобразуван или серийният му номер е повреден или отстранен. Тази гаранция не покрива повреди или проблеми с работата на двигателите причинени от:

1. използването на части, които не са оригинални части на Briggs & Stratton;
2. експлоатиране на двигателя с недостатъчно, замърсено или неправилно избрано масло за смазване;
3. използването на замърсено или остаряло гориво, на бензин, смесван с повече от 10% етанол, или използването на алтернативни горива, например втечен нефтен газ или природен газ за двигатели, които по начало не са проектирани/произведени от Briggs & Stratton, за да работят с такива горива;
4. Замърсяване, което е проникнало в двигателя, поради неправилно техническо обслужване на въздушния филтър и неправилното му последващо монтиране;
5. удяране на предмет с режещия нож на ротационната полева косачка, разхлабени или неправилно поставени адаптери за ножовете, лопатките или други устройства, свързани към коляновия вал, или от прекомерно натягане на трапецовидния ремък;
6. Съответстващи части или сглобки като съединители, трансмисии, контроли на оборудването и други, които не са доставени от Briggs & Stratton;
7. прегряване, дължащо се на окосена трева, на замърсяване или отломки, или на гнезда на гризачи, които запущат или задържат охлаждащите пластини или кожата на маховика, или работа на двигателя без достатъчно охлаждане;
8. прекомерна вибрация, причинена от превишени обороти, хлабав монтаж на двигателя, хлабави или небалансирани ножове или перки, или неправилно свързване на елементите на оборудването към коляновия вал;
9. неправилна употреба, липса на редовно техническо обслужване, неправилно транспортиране, маневриране или складиране на оборудването или неправилен монтаж на двигателя.

Гаранционното обслужване се осъществява само посредством упълномощените сервизни представители на Briggs & Stratton. Намерете най-близкия Оторизиран сервизен представител в нашата указателна карта за представителите на BRIGGSandSTRATTON.COM или се обадете на 1-800-233-3723 (за САЩ).

80004537 (Ред. С)

Tato příručka obsahuje bezpečnostní informace o nebezpečích a rizicích, která se týkají motorů, a o způsobech, jak se jim vyhnout. Obsahuje i pokyny, jak řádně motor používat a jak se o něj starat. Vzhledem k tomu, že společnost Briggs & Stratton nemusí nutně vědět, jaké zařízení bude tento motor pohánět, je důležité, abyste si přečetli a pochopili tyto pokyny a pokyny pro zařízení, které tento motor pohání. **Tyto původní pokyny si uložte pro pozdější použití.**

Poznámka: Obrázky, ilustrace a diagramy v tomto návodu slouží pouze pro referenční účely a mohou se lišit od vašeho specifického modelu. Máte-li jakékoli otázky, kontaktujte prodejce.

Potřebujete-li náhradní díly nebo technickou pomoc, запиšte níže model motoru, typové a kódové číslo a datum nákupu. Tyto údaje naleznete na svém motoru (viz kapitolu **Funkce a ovládací prvky**).

Datum zakoupení:	
Model motoru – Typ – Výbava	
Sériové číslo motoru	

Najděte si 2D čárový kód, který je na některých motorech umístěn. Při zobrazení pomocí čtečky 2D kódů se zobrazí naše webová stránka, kde můžete najít další informace pro tento produkt. Mohou být účtovány poplatky za přenos dat. Online informace o podpoře nemusí být pro některé země k dispozici.



Informace o recyklaci



Veškeré obaly, použitý olej a baterie je nutno zlikvidovat podle platných zákonných předpisů.

Bezpečnost obsluhy

Bezpečnostní varovné značky a signální slova

Bezpečnostní varovné značky se používají k označení bezpečnostních informací o rizicích, která mohou vést ke zranění osob. Signální slova (NEBEZPEČÍ, VAROVÁNÍ nebo UPOZORNĚNÍ) jsou používána spolu s varovnou značkou a označují pravděpodobnost a vážnost potenciálního zranění. Navíc může být použit symbol rizika vyjadřující typ rizika.

NEBEZPEČÍ označuje riziko, které, jestliže se mu nevyhnete, **povede ke smrti nebo vážnému poranění.**

VAROVÁNÍ označuje riziko, které, jestliže se mu nevyhnete, **může vést ke smrti nebo vážnému poranění.**

UPOZORNĚNÍ označuje riziko, které, jestliže se mu nevyhnete, **může vést k malému či střednímu poranění.**

OZNÁMENÍ označuje situaci, která **by mohla vést k poškození výrobku.**

Symbole rizika a jejich význam

Symbol	Význam	Symbol	Význam
	Bezpečnostní informace o rizicích, která mohou vést k poranění.		Před provozem či prováděním servisu si přečtěte návod k obsluze.

Symbol	Význam	Symbol	Význam
	Riziko požáru		Riziko výbuchu
	Riziko úrazu elektrickým proudem		Riziko toxických plynů
	Riziko horkého povrchu.		Riziko hluku – při dlouhodobém používání se doporučuje nosit ochranu sluchu.
	Riziko odletujících předmětů – noste ochranu očí.		Riziko výbuchu
	Riziko omrzlin		Riziko zpětného rázu
	Riziko amputace – pohyblivé součásti		Chemické riziko
	Riziko vysokých teplot		Způsobuje korozi

Bezpečnostní upozornění



VAROVÁNÍ

Určité součástky tohoto výrobku a příslušné doplňky obsahují chemické látky, o kterých je ve státu Kalifornie známo, že způsobují rakovinu, vrozené vady a jiné rozmnožovací problémy. Po zacházení si umyjte ruce.



VAROVÁNÍ

Výfukové plyny z frézy obsahují chemické látky, o kterých je ve státu Kalifornie známo, že způsobují rakovinu, vrozené vady nebo jiné reprodukční problémy.



VAROVÁNÍ

Motory značky Briggs & Stratton nejsou konstruovány pro pohánění následujících zařízení a nesmějí být tedy takto používány: vozítka, motokáry, dětská, rekreační nebo sportovní terénní vozidla (ATV), motocykly, vznášedla, letecké výrobky nebo vozidla používaná v soutěžích, které společnost Briggs & Stratton neschválila. Informace o soutěžních a závodních výrobcích naleznete na adrese www.briggsracing.com. Informace o používání ve čtyřkolkách a ATV vozidlech side-by-side získáte v Engine Application Center, středisku pro aplikaci motorů společnosti Briggs & Stratton, tel. 1-866-927-3349. Nesprávné použití motoru může vést k vážnému zranění nebo i smrti.



VAROVÁNÍ



Palivo a jeho výpary jsou extrémně hořlavé a výbušné.

Oheň či exploze mohou způsobit vážné popáleniny nebo smrt.

Při tankování

- Vypněte motor a před odstraněním uzávěru ho nechte vychladit alespoň po dobu 2 minut.
- Tankujte venku nebo v dobře ventilovaném prostoru.
- Nádrž nepřepĺňujte. Aby se umožnila expanze paliva, netankujte nad spodní část hrdla nádrže (B).
- Palivo udržujte mimo otevřený oheň, jiskry, pilotní světla, teplo nebo jiné zdroje vzplanutí.

- Palivové trubičky, nádrží a uzávěr často kontrolujte pro známky poškození. Jestliže je to nutné, nahraďte je novými.
- Jestliže dojde k rozlití paliva, před dalším startováním vyčkejte, než znovu vyschne.

Při startování motoru

- Zkontrolujte, zda jsou na svém místě svíčky, tlumič výfuku, víčko palivové nádrže a vzduchový filtr (je-li jím motor vybaven), a zda jsou dobře zajištěny.
- Nestartujte motor, je-li zapalovací svíčka vyšroubována.
- Při přeplavení motoru nastavte sytič (je-li k dispozici) do polohy OTEVŘÍT/JET a ovladač akceleračního (je-li jím motor vybaven) do polohy RYCHLE a protáchejte motor, dokud nenaskočí.

Při obsluze zařízení

- Motor ani zařízení nenaklánějte do polohy, která by způsobila únik paliva.
- Motor se nesmí zastavovat zahlcením karburátoru.
- Motor nespouštějte ani neprovozujte s odmontovanou sestavou vzduchového filtru (je-li jím motor vybaven) nebo s vyjmutým vzduchovým filtrem (je-li jím motor vybaven).

Při výměně oleje

- Jestliže vypouštíte olej z horní plnicí trubice, musí být prázdná nádrž, protože jinak může dojít k úniku paliva, což může vést k požáru nebo výbuchu.

Překlopení zařízení za účelem údržby

- Když provádíte údržbu, která vyžaduje naklonění zařízení, palivová nádrž (pokud je na motoru osazena) musí být prázdná, jinak může palivo uniknout a způsobit požár nebo explozi.

Při přepravě zařízení

- Zařízení přepravujte s PRÁZDNOU palivovou nádrží nebo ZAVŘENÝM palivovým kohoutem.

Při skladování paliva nebo zařízení s palivem v nádrži

- Uchovávejte odděleně od pecí, kamen, ohřivačů vody či jiných zařízení, která mají věčný plamínek nebo jiných zdrojů zatehnutí. Mohlo by dojít ke vznícení výparů z paliva.



VAROVÁNÍ

Startování motoru je doprovázené jiskřením.

Jiskření může zatehnout přítomné hořlavé plyny.

Může dojít k požáru nebo explozi.

- Nespouštějte motor, uniká-li v prostoru zemní plyn nebo propan-butan (LPG).
- Nepoužívejte stlačené startovací kapaliny, jejich páry jsou hořlavé.



VAROVÁNÍ

RIZIKO VZNIKU JEDOVATÝCH PLYNŮ. Výfukové plyny z motoru obsahují oxid uhelnatý, jedovatý plyn, který může zabít během minut. **NEMŮŽETE** ho vidět, cítit či chutnat. I když výfukové plyny necítíte, přesto můžete být vystaveni oxidu uhelnatému. Jestliže při používání tohoto zařízení začnete cítit nevolnost, závratě či slabost, **OKAMŽITĚ** ho vypněte a jděte na čerstvý vzduch. Vyhledejte lékaře. Mohlo u vás dojít k otravě oxidem uhelnatým.

- Tento výrobek používejte POUZE venku a mimo dosah oken, dveří a větracích otvorů, aby se předešlo riziku otravy oxidem uhelnatým hromadícím se a pohybujičím směrem k obytným prostorům.
- Nainstalujte alarmy na oxid uhelnatý (na baterie či síťové se záložním napájením z baterie) v souladu s pokyny výrobce. Detektory kouře nedokážou oxid uhelnatý odhalit.
- Tento produkt **NEPOUŽÍVEJTE** uvnitř domů, garáží, sklepů, stodol či jiných částečně uzavřených prostor, i když používáte větrák či máte otevřené dveře a okna pro větrání. V těchto místech se může rychle nahromadit a dlouho udržovat oxid uhelnatý, a to i po vypnutí výrobku.
- Tento produkt **VŽDY** umístěte po větru a výfuk namiřte směrem mimo obydlené prostory.



VAROVÁNÍ

Rychlé zatažení startovacího lanka (zpětné „kopnutí“) přitáhne ruku a paži k motoru rychleji, než ho stačíte pustit.

To může způsobit zlomeniny, pohmožděny nebo odřeniny.

- Při startování motoru pomalu zatahněte za startovací kabel, až ucítíte odpor a pak rychle zatahněte, aby se předešlo zpětnému tlaku.
- Před nastartováním motoru zbavte motor veškeré vnější zátěže/zařízení.
- Přímou spřažené součásti zařízení, např. nože, oběžná kola, řemenice, ozubená kola atd., musí být bezpečně upevněny.



VAROVÁNÍ

Rotující části mohou přijít do kontaktu s rukama, nohama, vlasy, oděvy či doplňky.

Může dojít k těžkým tržným ranám až amputacím končetin.

- Provozujte zařízení pouze s upevněnými ochrannými kryty.
- Udržujte ruce a nohy v dostatečné vzdálenosti od rotujících součástí.
- Svažte si dlouhé vlasy a sundejte šperky.
- Nenoste volně vlající oděv, volně visící stahovací tkalouny a šňůry, jež mohou být zachyceny.



VAROVÁNÍ

Provoz motoru vede ke vzniku tepla. Díly motoru, zejména tlumič výfuku, jsou za provozu extrémně horké.

Při dotyku může dojít k vážným popáleninám.

Hořlavý odpad, jako například listí, tráva, křoví atd. mohou chytit.

- Před dotykem vyčkejte, až tlumič, válec motoru a žebra motoru vychladnou.
- Odstraňte nahromaděný materiál z tlumiče a oblasti válce.
- Použití zařízení na jakékoli zalesněné či zatravněné ploše bez řádně udržovaného lapače jisker v souladu s definicí v části 4442 je porušením předpisů Veřejných pravidel pro Kalifornii, část 4442. Jiné státy nebo federální jurisdikce mohou mít podobné zákony. Chcete-li zakoupit lapač jisker vhodný pro výfukový systém nainstalovaný na tomto motoru, kontaktujte výrobce původního zařízení, prodejce nebo dodavatele.



VAROVÁNÍ

Neplánované jiskření může vést k požáru nebo k elektrickému šoku.

Neplánované spuštění může vést k zamotání, amputacím či poraněním.

Riziko požáru

Před prováděním úprav či oprav:

- Odpojte drát svíček a uložte ho odděleně od svíček.
- Odpojte baterii z negativního pólu (pouze motory s elektrickým startérem).
- Vždy používejte správné nástroje.
- Pro účely zvýšení rychlosti neměňte pružiny, spojení či jiné části.
- Náhradní díly musí být stejné a namontované do stejné polohy jako původní část. Jiné součástky nemusí stejně dobře fungovat, mohou poškodit jednotku či vést k poranění.
- Na setrvačnicku netlučte klavírem nebo tvrdým předmětem, protože hrozí rozpad setrvačnicku při dalším provozu.

Při testování svíček:

- Používejte schválenou zkoušečku svíček.
- Svíčky nekontrolujte, když jsou vyndané.

Funkce a ovládací prvky

Ovládací prvky motoru

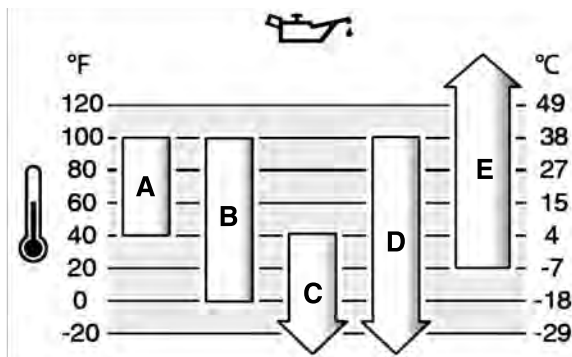
Srovnejte svůj motor s ilustrací (obrázek: 1, 2, 3, 4), abyste se seznámili s umístěním různých funkcí a ovládacích prvků.

- A. Identifikační čísla motoru **Model – Typ – Kód**
- B. Zapalovací svíčka
- C. Palivová nádrž a víčko
- D. Vzduchový filtr
- E. Držadlo lanka startéru
- F. Plnění oleje a měrka
- G. Vypouštěcí zátka oleje
- H. Tlumič výfuku, kryt tlumiče výfuku (je-li jím motor vybaven), lapač jisker (je-li jím motor vybaven)
- I. Ovladač sytiče
- J. Akcelerátor (je-li jím motor vybaven)
- K. TransportGuard™ – páčka plynu a zapalování
- L. Mřížka přívodu vzduchu
- M. Jednotka redukčního převodu (je-li jí motor vybaven)
- N. Vypínač (je-li jím motor vybaven)
- O. Spínač elektrického spouštění (je-li jím motor vybaven) ¹

¹ Některé motory a zařízení jsou vybaveny dálkovými ovladači. Popis umístění a funkce tohoto dálkového ovládání najdete v příručce k zařízení.

Pro nejlepší výkon doporučujeme použití olejů schválených pro použití s výrobky Briggs & Stratton. Přijatelné jsou i jiné kvalitní čisticí oleje za předpokladu, že jsou označené pro servis SF, SG, SH, SJ či vyšší. Nepoužívejte speciální přídavky.

Venkovní teploty určují správnou viskozitu oleje pro motor. K výběru nejlepší viskozity pro očekávanou venkovní teplotu použijte tabulku. Motory ve většině venkovních motorových strojů správně fungují se syntetickým olejem 5W-30. Pro vybavení provozovaná při vysokých teplotách poskytuje nejlepší ochranu syntetický olej Vanguard™ 15W-50 Synthetic.



A	SAE 30 - Při teplotách pod 4°C povede použití SAE 30 k obtížnému startování.
B	10W-30 - Při teplotách nad 27 °C povede použití 10W-30 ke zvýšené spotřebě oleje. Pravidelně kontrolujte množství oleje.
C	5W-30
D	Syntetický 5W-30
E	Syntetický Vanguard™ 15W-50

Symboly ovládání motoru a jejich význam

Značka	Význam	Značka	Význam
	Rychlost motoru – RYCHLE		Rychlost motoru – POMALU
	Rychlost motoru – STOP		ZAPNUTO – VYPNUTO
	Spuštění motoru – sytič ZAVŘEN		Spuštění motoru – sytič OTEVŘEN
	Zátka nádrže Palivový uzavírací ventil – OTEVŘEN		Palivový uzavírací ventil – ZAVŘEN
	Hladina paliva – maximum Nepřeplňujte.		

Provoz

Doporučení oleje

Kapacita oleje: Viz část **Technické údaje**.

UPOZORNĚNÍ

Tento motor byl z továrny Briggs & Stratton vyexpedován bez oleje. Je možné, že olej do motoru přidali výrobci zařízení nebo prodejci. Než motor poprvé nastartujete, zkontrolujte hladinu oleje a doplňte olej podle pokynů v této příručce. Jestliže motor nastartujete bez oleje, dojde k jeho nenapravitelnému poškození, na které se nebude vztahovat záruka.

Kontrola množství oleje

Viz obrázek 5

Před doplněním nebo kontrolou oleje

- Zkontrolujte, zda je motor vyvážen a zda stojí rovně.
- Plochu pro plnění oleje vyčistěte.

1. Vyměňte měrku (A, obrázek 5) a oťete ji čistým hadříkem.
2. Vraťte zpět měrku (A, obrázek 5). **Neotáčejte jí, ani ji neutahujte.**
3. Měrku vyndejte a překontrolujte množství oleje. Správná hladina oleje má dosahovat k horní rýsce hladiny (B, obrázek 5) na měrce.
4. Pokud je hladina oleje nízká, nalévejte olej pomalu do plnicího otvoru (C, obrázek 5). Naplňte až po okraj.
5. Vraťte zpět měrku a dotáhněte ji (A, obrázek 5).

System ochrany před nízkou hladinou oleje (je-li jím zařízení vybaveno)

Některé motory jsou vybaveny senzorem nízké hladiny oleje. Pokud je hladina oleje nízká, senzor buď aktivuje výstražné světlo nebo zastaví motor. Zastavte motor a před jeho opětovným spuštěním postupujte podle těchto kroků.

- Zkontrolujte, zda je motor vyvážen a zda stojí rovně.
- Zkontrolujte množství oleje. Viz část **Kontrola množství oleje**.
- Pokud je hladina oleje nízká, dolijte potřebné množství oleje. Spusťte motor a zkontrolujte, zda není aktivní výstražné světlo (pokud je jím motor vybaven).
- Pokud hladina oleje není nízká, nespouštějte motor. Kontaktujte autorizovaný servis Briggs & Stratton a požádejte je o pomoc s problémem týkajícím se hladiny oleje.

Doporučení týkající se paliva

Palivo musí splňovat následující požadavky:

- Čistý, čerstvý, bezolovnatý benzin.
- Minimálně 87 oktanů/87 AKI (91 RON). Informace o použití ve vysokých nadmořských výškách naleznete níže.
- Benzin s obsahem až 10 % etanolu je přijatelný.

UPOZORNĚNÍ Nepoužívejte neschválené benziny, jako je například E15 nebo E85. Do benzínu nepřidávejte olej a motor nemodifikujte tak, aby fungoval s jinými palivy. Použití neschváleného paliva způsobí poškození součástí motoru, na které se nevztahuje záruka.

K ochraně palivového systému před tvorbou pryskyřičných usazenin přidávejte do paliva stabilizátor paliva. Viz **Skladování**. Různá paliva se liší. Jestliže dojde k problémům se startováním či výkonem, změňte dodavatele či značku paliva. Tento motor je úředně schválen jako benzínový motor. Systém řízení emisí tohoto motoru je EM (Engine Modifications).

Vysoké nadmořské výšky

Při nadmořských výškách nad 1 524 metrů (5 000 stop) se vyžaduje benzín s minimem 85 oktanů/85 AKI (89 RON).

U motorů vybavených karburátorem je nastavení pro vysoké nadmořské výšky nezbytné, aby se zachoval výkon motoru. Provoz bez této úpravy může snížit výkonnost, zvýšit spotřebu paliva a zvýšit vylučování emisí. Informace o seřízení pro vyšší nadmořské výšky získáte u autorizovaného prodejce značky Briggs & Stratton. Motor se seřízením pro vysoké nadmořské výšky se nedoporučuje používat při nadmořské výšce pod 762 metrů (2 500 stop).

U motorů s elektronickým vstříkáváním paliva (EFI) není nastavení pro vysoké nadmořské výšky zapotřebí.

Přidávání paliva

Viz obrázek: 6



Palivo a jeho páry jsou velice hořlavé a výbušné.

Požár nebo výbuch může způsobit vážné popáleniny nebo i smrt.

Při přidávání paliva

- Vypněte motor a před odstraněním víčka ho nechte vychladnout alespoň po dobu 2 minut.
 - Tankujte venku nebo v dobře ventilovaném prostoru.
 - Nádřz nepřepíňujte. Aby se umožnila expanze paliva, netankujte nad spodní část hrdla nádřze.
 - Palivo udržujte mimo otevřený oheň, jiskry, věčný plamínek, tepelné nebo jiné zápalné zdroje.
 - Palivové trubičky, nádřz a víčko často kontrolujte, zda nevykazují známky poškození. Jestliže je to nutné, nahradte je novými.
 - Jestliže dojde k rozlítí paliva, před dalším startováním vyčkejte, než znovu vyschne.
1. Plochu kolem palivového víčka očistěte od nečistot. Odstraňte víčko palivové nádřze.
 2. Naplňte palivovou nádřz (A, obrázek 6) palivem. Aby se umožnila expanze paliva, netankujte nad spodní část hrdla nádřze (B).
 3. Nasaďte víčko palivové nádřze.

Spuštění a zastavení motoru

Viz obrázek: 7, 8

Spuštění motoru



Rychlé zatažení (zpětné „kopnutí“) startovacího lanka přitáhne ruku a paži k motoru rychleji, než ho stačíte pustit.

To může vést k zlomeninám, pohmožděninám či odřeninám.

- Při startování motoru táhněte za startovací lanko nejprve pomalu, dokud neucítíte odpor a pak zatáhněte rychle, abyste zabránili zpětnému kopnutí.



Palivo a jeho páry jsou velice hořlavé a výbušné.

Požár nebo výbuch může způsobit vážné popáleniny nebo i smrt.

Při startování motoru

- Zkontrolujte, zda jsou na svém místě svíčky, tlumič výfuku, víčko palivové nádřze a vzduchový filtr (je-li jím motor vybaven), a zda jsou dobře zajištěny.

- Nestartujte motor, je-li zapalovací svíčka vyšroubována.
- Při přeplavení motoru nastavte sytič (je-li k dispozici) do polohy OTEVŘENO nebo CHOD a ovladač akcelerátoru (je-li jím motor vybaven) do polohy RYCHLE a protáchejte motor, dokud nenaskočí.



RIZIKO VZNIKU JEDOVATÝCH PLYNŮ. Výfukové plyny z motoru obsahují oxid uhelnatý, jedovatý plyn, který vás může během několika minut zabít. **NEMŮŽETE jej vidět ani cítit, je bez chuti. I když výfukové plyny necítíte, můžete být vystaveni působení oxidu uhelnatého. Pokud vám začne být během používání tohoto produktu špatně, začne se vám točit hlava nebo pocítíte slabost, vypněte jej a OKAMŽITĚ jděte na čerstvý vzduch. Vyhledejte lékaře. Možná se jedná o otravu oxidem uhelnatým.**

- Tento produkt používejte VÝHRADNĚ venku a v dostatečné vzdálenosti od oken, dveří a větracích otvorů, aby se snížilo riziko hromadění oxidu uhelnatého a jeho potenciálního pronikání do obytných prostor.
- Nainstalujte alarmany na oxid uhelnatý (na baterie či síťové se záložním napájením z baterie) v souladu s pokyny výrobce. Detektory kouře nedokáží oxid uhelnatý odhalit.
- Tento produkt **NEPOUŽÍVEJTE** uvnitř domů, garáží, sklepů, průlezných prostor, stodol či jiných částečně uzavřených prostor, i když používáte větrák či máte otevřené dveře a okna pro větrání. V těchto místech se může rychle nahromadit a dlouho udržovat oxid uhelnatý, a to i po vypnutí výrobku.
- **VŽDY** umístějte tento produkt po větru a natočte jej tak, aby jeho výfuk směřoval mimo obytné prostory.

UPOZORNĚNÍ Tento motor byl z továrny Briggs & Stratton vyexpedován bez oleje. Než motor nastartujete, ujistěte se, že přidáte olej podle pokynů v tomto návodu. Jestliže motor nastartujete bez oleje, dojde k jeho nenapravitelnému poškození, na které se nebude vztahovat záruka.

Poznámka: Některá zařízení jsou vybavena dálkovým ovládaním. Popis umístění a funkce tohoto dálkového ovládaní najdete v příručce k zařízení.

1. Překontrolujte motorový olej. Viz část **Kontrola množství oleje**.
 2. Zkontrolujte, zda jsou ovládací prvky zařízení (je-li jimi zařízení vybaveno) deaktivovány.
 3. Přepněte páčku plynu nebo zapalování (A, obrázek 7), je-li jím motor vybaven, do polohy ZAPNUTO nebo START.
 4. Posuňte ovladač akcelerátoru (B, obrázek 7), je-li jím zařízení vybaveno, do polohy RYCHLE. Motor používejte v poloze RYCHLE.
 5. Přesuňte ovladač sytiče (C, obrázek 7, 8) do polohy ZAVŘENO.
- Poznámka:* Při startování teplého motoru není normálně sytič potřeba.
6. Posuňte vypínač motoru (E, obrázek 8), je-li jím motor vybaven, do polohy ZAPNUTO.
 7. **Je-li motor vybaven navijecím startérem:** Pevně uchopte držadlo lanka startéru (D, obrázek 7, 8). Pomalu zatáhněte za startovací lanko, až pocítíte odpor, pak zatáhněte rychle.



Rychlé zatažení startovacího lanka (zpětné „kopnutí“) přitáhne vaši ruku a paži směrem k motoru rychleji, než je stačíte pustit. To může vést k zlomeninám, pohmožděninám či odřeninám. Při startování motoru táhněte za startovací lanko nejprve pomalu, dokud neucítíte odpor a pak zatáhněte rychle, abyste zabránili zpětnému kopnutí.

8. **Je-li motor vybaven elektrickým spínačem:** Přepněte vypínač elektrického spouštění (F, obrázek 8) do polohy ZAPNUTO nebo START.

UPOZORNĚNÍ K prodloužení životnosti startéru používejte krátké startovací cykly (maximálně pět sekund). Mezi startovacími cykly čkejte jednu minutu.

9. Když se motor zahřeje, přesuňte ovladač sytiče (C, obrázek 7, 8) do polohy OTEVŘENO.

Poznámka: Pokud motor ani po opakovaných pokusech nenastartuje, kontaktujte místního prodejce, navštivte stránku **VanguardEngines.com** nebo zavolejte na telefonní číslo **1-800-999-9333** (v USA).

Zastavení motoru



Palivo a jeho páry jsou velice hořlavé a výbušné.

Požár nebo výbuch může způsobit vážné popáleniny nebo i smrt.

- Motor se nesmí zastavovat zahlcením karburátoru.
1. **Vypínač chodu motoru, pokud je jím motor vybaven:** Přepněte vypínač (E, obrázek 8) do polohy STOP.
Je-li motor vybaven páčkou plynu/zapalování: Přepněte páčku plynu/zapalování (A, obrázek 7) do polohy VYPNUTO nebo STOP.
 2. **Je-li motor vybaven elektrickým spínačem:** Vyměňte klíč. Uložte klíč mimo dosah dětí.

Údržba

UPOZORNĚNÍ Jestliže při údržbě dojde k naklonění motoru, nádrž (pokud je na motoru) musí být prázdná a svíčka musí být směrem nahoru. Není-li palivová nádrž prázdná nebo je-li motor obrácen jiným směrem, může dojít v důsledku znečištění vzduchového filtru a/nebo zapalovací svíčky olejem nebo benzínem k problémům při startování.



Když provádíte údržbu, která vyžaduje překlopení zařízení, musí být palivová nádrž (pokud je na motoru) prázdná, jinak může palivo uniknout a způsobit požár nebo explozi.

Doporučujeme svěřit veškerý servis a údržbu motorů a jejich dílů některému z autorizovaných prodejců značky Briggs & Stratton.

UPOZORNĚNÍ Aby motor správně fungoval, musí všechny jeho součásti zůstat na svém místě.



Neúmyslné jiskření může způsobit požár nebo úraz elektrickým proudem.

Neplánované spuštění může vést k zamotání, amputacím či poraněním.

Riziko požáru

Před prováděním seřizování nebo oprav:

- Odpojte drát svíček a uložte ho pryč od svíček.
- Odpojte kabel od záporné svorky akumulátoru (jen pokud je motor vybaven elektrickým spouštěčem).
- Vždy používejte správné nástroje.
- Otáčky motoru se nesmí zvyšovat úpravami pružin regulátoru, táhel a ostatních dílů.
- Náhradní díly musí být stejné a namontované do stejné polohy, jako původní část. Jiné součástky nemusí stejně dobře fungovat, mohou poškodit jednotku či vést k poranění.
- Na setvačnicku netlučte kladivem nebo tvrdým předmětem, protože hrozí rozpad setvačnicku při dalším provozu.

Při zkoušení svíčky:

- Používejte schválenou zkoušečku svíček.
- Svíčky nekontrolujte, když jsou vyndané.

Servis řízení emisí

Údržbu, výměnu nebo opravu zařízení a systémů řízení emisí může provádět jakákoliv organizace nebo osoba zabývající se opravami nesilničních motorů. Chcete-li však mít servis řízení emisí „zdarma“, musí práci provádět prodejce autorizovaný továrnou. Viz záruka dodržování emisních limitů.

Plán údržby

Prvních 5 hodin
• Vyměňte olej
Každých 8 hodin či denně

- Zkontrolujte množství oleje
- Vyčistěte oblast kolem tlumiče výfuku a ovládacích prvků
- Vyčistěte mřížku přívodu vzduchu

Každých 25 hodin nebo jednou za rok

- Vyčistěte vzduchový filtr ¹
- Vyčistěte předfiltr ¹

Každých 50 hodin nebo jednou za rok

- Výměna motorového oleje
- Provedte servis výfukové soustavy

Každých 100 hodin

- Vyměňte olej v redukčním převodu (je-li jím motor vybaven)

Jednou ročně

- Vyměňte svíčku
- Vyměňte vzduchový filtr
- Vyměňte předfiltr
- Provedte servis palivové soustavy
- Provedte servis chladicího systému ¹
- Zkontrolujte vůli ventilu ²

¹ V prašném prostředí nebo v prostředí, kde se nečistoty roznáší vzduchem, čistěte častěji.

² Není nutné, pokud se nevyskytnou problémy s výkonem motoru.

Karburátor a rychlost motoru

Nikdy sami neseřizujte karburátor ani rychlost motoru. Karburátor je již z výroby seřízen tak, aby efektivně fungoval ve většině pracovních podmínek. Rychlost motoru se nesmí měnit úpravami pružin regulátoru, táhel a ostatních dílů. Pokud je přece jen nutné seřízení provést, kontaktujte autorizované servisní středisko Briggs & Stratton.

UPOZORNĚNÍ Výrobce zařízení, do kterého je motor osazen, uvádí maximální rychlost motoru vhodnou pro provoz daného zařízení. **Nepřekračujte** tuto rychlost. Pokud si nejste jisti, jaká je maximální rychlost zařízení nebo jaká rychlost motoru byla nastavena z výroby, požádejte o pomoc autorizované servisní středisko Briggs & Stratton. Aby zařízení bezpečně a správně fungovalo, měl by rychlost motoru vždy seřizovat pouze kvalifikovaný servisní technik.

Proved'te servis zapalovací svíčky

Viz obrázek 9

Zkontrolujte vzduchovou mezeru (A, obrázek 9) pomocí drátové měřky (B). Je-li to nutné, mezeru znovu nastavte. Nainstalujte zapalovací svíčku a dotáhněte ji na doporučený krouticí moment. Postup nastavení mezery nebo krouticí moment najdete v části **Specifikace**.

Poznámka: *V některých oblastech místní předpisy vyžadují použití zapalovací svíčky s odporem pro potlačení rušení. Jestliže byl tento motor původně vybaven nainstalovaný na tomto, použijte k výměně svíčky stejného typu.

Servis výfukové soustavy



Provoz motoru vede ke vzniku tepla. Části motoru, zvláště tlumič, budou velice horké.

Ve styku s nimi mohou vzniknout vážné popáleniny.

Hořlavý materiál, jako je listí, tráva, roští atd., může vzplanout.

- Před manipulací nechejte tlumič výfuku, válec a žebra motoru vychladnout.
- Odstraňte nahromaděný materiál z tlumiče a oblasti válce.
- Při použití zařízení na zalesněném, travnatém nebo křovím porostlém pozemku bez lapače jisker nainstalovaného ve výfukovém systému a udržovaného v řádném funkčním stavu porušujete ustanovení paragrafu 4442 Zákona o veřejných zdrojích státu Kalifornie. Jiné státy nebo federální jurisdikce mohou mít podobné zákony. Chcete-li zakoupit lapač jisker vhodný pro výfukový systém nainstalovaný na tomto motoru, kontaktujte výrobce původního zařízení, prodejce nebo dodavatele.

Odstraňte nahromaděný materiál z tlumiče a oblasti válce. Zkontrolujte, zda tlumič výfuku nevykazuje praskliny, korozi nebo jiné opotřebení. Sejměte lapač jisker, je-li jím motor vybaven, a zkontrolujte, zda není poškozen nebo zanesen uhlíkovými usazeninami. Pokud zjistíte poškození, před dalším spuštěním přístroje nainstalujte náhradní díly.



VAROVÁNÍ

Náhradní díly musí být stejné a namontované do stejné polohy, jako původní díl. Jiné součástky nemusí stejně dobře fungovat, mohou poškodit jednotku či vést k poranění.

Výměna motorového oleje

Viz obrázek: 10, 11

Použitý olej je nebezpečný odpad a je nutno jej správným způsobem zlikvidovat. Použitý olej nepatří do domovního odpadu. Ohledně bezpečné likvidace/recyklace oleje se poraďte s místními úřady, servisním střediskem nebo prodejcem.

Odstranění oleje

1. Dokud je motor po vypnutí ještě teplý, odpojte kabel od zapalovací svíčky (D, obrázek 10) a uložte jej dále od zapalovací svíčky (E).
2. Vyměňte měрку (A, obrázek 11).
3. Odstraňte zátku pro vypouštění oleje (F, obrázek 11). Olej vyprázdněte do schválené nádoby.

Poznámka: Na motoru jsou nainstalovány různé zátky pro vypouštění oleje (G, obrázek 11).

4. Po vypouštění oleje zátku pro vypouštění oleje nasadte a utáhněte (F, obrázek 11).

Doplnění oleje

- Zkontrolujte, zda je motor vyvážen a zda stojí rovně.
- Plochu pro plnění oleje vyčistěte.
- Objem oleje naleznete v části **Specifikace**.

1. Vyměňte měрку (A, obrázek 11) a otřete ji čistým hadříkem.
2. Pomalu nalévejte olej do plnicího otvoru (C, obrázek 11). Naplňte jej až po okraj.
3. Vraťte zpět měрку (A, obrázek 11). **Neotáčejte jí, ani ji neutahujte.**
4. Měрку vyndejte a překontrolujte množství oleje. Správná hladina oleje má dosahovat k horní rýsce hladiny (B, obrázek 11) na měrci.
5. Vraťte zpět měрку a dotáhněte ji (A, obrázek 11).
6. Připojte kabel zapalovací svíčky (D, obrázek 10) k zapalovací svíčke (E).

Výměna oleje v redukčním převodu

Viz obrázek: 12, 13

Redukční převod 6:1 (obrázek 12)

Pokud je váš motor vybaven jednotkou redukčního převodu 6:1, postupujte při obsluze takto:

1. Odstraňte uzávěr plnicího otvoru (A, obrázek 12) a zátku pro vypouštění oleje (B).
2. Odstraňte zátku pro vypouštění oleje (C, obrázek 12) a vypusťte olej do vhodné nádoby.
3. Znovu nainstalujte a utáhněte zátku pro vypouštění oleje (C, obrázek 12).
4. Při opětovném plnění pomalu nalévejte mazivo na převody (viz část **Specifikace**) do otvoru pro plnění oleje (D, obrázek 12). Pokračujte, dokud nezačne olej z otvoru pro plnění vytékat (E).
5. Znovu nasadte a dotáhněte měрку hladiny oleje (B, obrázek 12).
6. Znovu nasadte a dotáhněte uzávěr plnicího otvoru (A, obrázek 12).

Poznámka: Uzávěr plnicího otvoru (A, obrázek 12) má větrací otvor (F) a musí být nasazen na kryt převodové skříně tak, jak je to vyobrazeno.

Redukční převod 2:1 (obrázek 13)

Jednotka redukčního převodu 2:1 (G, obrázek 13) nevyžaduje výměnu oleje.

Servis vzduchového filtru

Viz obrázek: 14, 15, 16



VAROVÁNÍ Palivo a jeho páry jsou velice hořlavé a výbušné.

Požár nebo výbuch může způsobit vážné popáleniny nebo i smrt.

- Motor nikdy nespustíte ani nenecháte běžet s vyndanou sestavou čističe vzduchu nebo s vyndaným vzduchovým filtrem (pokud je jím motor vybaven).

UPOZORNĚNÍ K čištění filtru nepoužívejte stlačený vzduch či ředidla. Stlačený vzduch může poškodit filtr a ředidla ho mohou rozpustit.

Informace o servisních požadavcích najdete v **Plánu údržby**.

Různé modely používají buď pěnový nebo papírový filtr. Některé modely jsou také vybaveny předfiltrem, který je možné vyprat a opětovně použít. Porovnejte ilustrace v této příručce s typem filtru, který je nainstalován ve vašem motoru a proveďte servis dle následujících informací.

Pěnový vzduchový filtr

1. Otevřete západku (západky) (A, obrázek 14).
2. Sejměte kryt (B, obrázek 14).
3. Sejměte západku (D, obrázek 14) a podložku (E).
4. Aby se do karburátoru nedostaly nečistoty, opatrně odstraňte pěnovou část (C, obrázek 14) ze základny vzduchového filtru (G).
5. Vyměňte podpůrnou manžetu (F, obrázek 14) z pěnové části (C).
6. Vyperte pěnovou část (C, obrázek 14) v kapalném čisticím prostředku s vodou. Pro vysušení vyždímejte pěnovou část do čistého hadru.
7. Pěnovou část (C, obrázek 14) nasákněte čistým motorovým olejem. Pro odstranění nadměrného množství motorového oleje vyždímejte pěnovou část do čistého hadru.
8. Vložte podpůrnou manžetu (F, obrázek 14) do pěnové části (C).
9. Nainstalujte pěnovou část (C, obrázek 14) do základny vzduchového filtru (G) a na šroub (H). Zkontrolujte, zda je pěnová část správně nainstalována do základny vzduchového filtru a zajistěte ji podložkou (E) a západkou (D).
10. Sestavte kryt (B, obrázek 14) a zajistěte jej západkou (západkami) (A). Ujistěte se, že jsou západky dobře zavřené.

Papírový vzduchový filtr

1. Otevřete západku (západky) (A, obrázek 15).
2. Sejměte kryt (B, obrázek 15).
3. Odstraňte západku (E, obrázek 15).
4. Aby se do karburátoru nedostaly nečistoty, opatrně odstraňte předfiltr (D, obrázek 15), je-li jím motor vybaven, a filtr (C) ze základny vzduchového filtru (F).
5. Aby se nečistoty uvolnily, opatrně oklepejte filtr (C, obrázek 15) o tvrdý povrch. Jestliže je filtr nadměrně špinavý, vyměňte ho za nový filtr.
6. Vyměňte předfiltr (D, obrázek 15), je-li jím motor vybaven, z filtru (C).
7. Vyperte předfiltr (D, obrázek 15) v kapalném čisticím prostředku s vodou. Nechte předfiltr kompletně uschnout na vzduchu. **Nemazte** předfiltr olejem.
8. Sestavte suchý předfiltr (D, obrázek 15), je-li jím motor vybaven, a vložte jej do filtru (C).
9. Nainstalujte těsnicí podložku (H, obrázek 15), filtr (C) a předfiltr (D), je-li jím motor vybaven, do základny vzduchového filtru (F) a na šroub (G). Zkontrolujte, zda je filtr správně nainstalován do základny vzduchového filtru a upevněte jej západkou (E).
10. Nainstalujte kryt (B, obrázek 15) a zajistěte ho západkou (západkami) (A). Ujistěte se, že jsou západky dobře zavřené.

Papírový vzduchový filtr

1. Otevřete západku (západky) (D, obrázek 16).
2. Sejměte kryt (A, obrázek 16).
3. Vyměňte předfiltr (C, obrázek 16), je-li jím motor vybaven, a filtr (B).
4. Aby se nečistoty uvolnily, opatrně oklepejte filtr (B, obrázek 16) o tvrdý povrch. Jestliže je filtr nadměrně špinavý, vyměňte ho za nový filtr.
5. Vyperte předfiltr (C, obrázek 16), je-li jím motor vybaven, v kapalném čisticím prostředku s vodou. Nechte předfiltr kompletně uschnout na vzduchu. **Nemazte** předfiltr olejem.
6. Nainstalujte suchý předfiltr (C, obrázek 16), je-li jím motor vybaven, a filtr (B).
7. Nainstalujte kryt (A, obrázek 16) a zajistěte ho západkou (západkami) (D). Ujistěte se, že jsou západky dobře zavřené.

Servis palivové soustavy

Viz obrázek: 17, 18



VAROVÁNÍ

Palivo a jeho páry jsou velice hořlavé a výbušné.

Požár nebo výbuch může způsobit vážné popáleniny nebo i smrt.

- Palivo udržujte mimo otevřený oheň, jiskry, věčný plamínek, tepelné nebo jiné zápalné zdroje.
- Palivové trubičky, nádrž a víčko často kontrolujte, zda nevykazují známky poškození. Jestliže je to nutné, nahraďte je novými.
- Před čištěním palivového filtru vypusťte palivovou nádrž nebo zavřete palivový kohout.
- Jestliže dojde k rozlití paliva, před dalším startováním vyčkejte, než znovu vyschne.
- Náhradní díly tlumiče výfuku musí být stejné jako originály a namontované na původních místech.

Palivový filtr, je-li jím motor vybaven

1. Před čištěním nebo výměnou palivového filtru (A, obrázek 17) vypusťte palivovou nádrž nebo zavřete uzavírací ventil paliva. Jinak může palivo prosáknout a způsobit požár nebo výbuch.
2. Ke stisknutí úchytek (B, obrázek 17) na svorkách (C) použijte kleště, potom odsuňte svorky stranou od palivového filtru (A). Odšroubujte a vytáhněte palivové potrubí (D) z palivového filtru.
3. Zkontrolujte, zda palivové potrubí (D, obrázek 17) nevykazuje praskliny nebo netěsnosti. Jestliže je to nutné, vyměňte je.
4. Vyměňte palivový filtr (A, obrázek 17) za originální náhradní filtr.
5. Zajistěte palivové potrubí (D, obrázek 17) svorkami (C) dle vyobrazení.

Čistič paliva, je-li jím motor vybaven

1. Sejměte uzávěr palivové nádrže (A, obrázek 18).
2. Sejměte palivové sítko (B, obrázek 18).
3. Je-li palivové sítko znečištěné, vyčistěte je nebo je vyměňte. Při výměně palivového sítka používejte vždy originální náhradní palivové sítko.

Servis chladicí soustavy



VAROVÁNÍ

Provoz motoru vede ke vzniku tepla. Části motoru, zvláště tlumič, budou velice horké.

Ve styku s nimi mohou vzniknout vážné popáleniny.

Hořlavý materiál, jako je listí, tráva, roští atd., může vzplanout.

- Před manipulací nechejte tlumič výfuku, válec a žebra motoru vychladnout.
- Odstraňte nahromaděný materiál z tlumiče a oblasti válce.

UPOZORNĚNÍ Nepoužívejte k čištění motoru vodu. Voda by mohla kontaminovat palivovou soustavu. K čištění motoru použijte kartáč nebo suchý hadřík.

Toto je motor chlazený vzduchem. Špína nebo nečistoty mohou omezovat proudění vzduchu a způsobit přehřátí motoru, což povede ke špatnému výkonu a sníží životnost motoru.

1. Pomocí kartáče nebo suchého hadříku odstraňte nečistoty z mřížky přívodu vzduchu.
2. Udržujte táhla, pružiny a ovládací prvky čisté.
3. Odstraňujte z okolí tlumiče výfuku (je-li jím motor vybaven) hořlavé nečistoty.
4. Zkontrolujte, zda nejsou žebra chladiče oleje zanesená nečistotami a usazeninami.

Po určité době se nečistoty mohou nahromadit v žebrech chladiče oleje a způsobit přehřátí motoru. Tyto nečistoty se nedají odstranit bez částečného rozmontování motoru. O kontrolu a vyčištění vzduchového chladičového systému požádejte autorizovaný servis Briggs & Stratton, jak doporučujeme ve **Schématu údržby**.

Skladování



VAROVÁNÍ

Palivo a jeho výpary jsou vysoce hořlavé a výbušné.

Oheň či exploze mohou způsobit vážné popáleniny nebo smrt.

Při skladování paliva nebo zařízení s palivem v nádrži

- Uchovávejte odděleně od pecí, kamen, ohřivačů vody či jiných zařízení, která mají věčný plamínek nebo jiných zdrojů zažehnutí. Mohlo by dojít ke vznícení palivových výparů.

Palivový systém

Viz obrázek: 19

Motor ukládejte rovně (normální provozní poloha). Nádrž pro plnění (A, obrázek 19) palivem. Aby bylo umožněno roztahování paliva, nádrž nepřepíňujte nad hrdlo (B).

Jestliže je palivo skladováno po dobu delší 30 dnů, může se zkazit. Zkažené palivo vede ke sraženinám kyselin a gumy v palivovém systému či v nezbytných částech karburátoru. K udržování čerstvého paliva používejte **Přípravek pro úpravu a stabilizaci paliva se zdokonaleným složením Briggs & Stratton**, který je možné zakoupit všude, kde se prodávají originální servisní díly Briggs & Stratton.

Jestliže je do paliva přidán stabilizátor v souladu s pokyny, není potřeba benzín vypouštět. Motor zapněte po dobu dvou (2) minut, aby stabilizátor před uložením mohl obíhat palivovým systémem.

Jestliže nebyl do paliva v motoru přidán stabilizátor, palivo je nutno vypustit do schválené nádoby. Motor nechte běžet do té doby, než se zastaví kvůli nedostatku paliva. K udržování dobrého stavu paliva se doporučuje použití stabilizátoru paliva ve skladovací nádobě.

Motorový olej

Olej vyměňujte, dokud je motor ještě teplý. Viz část **Výměna motorového oleje**.

Řešení problémů

Pokud potřebujete pomoc, kontaktujte svého místního prodejce, navštivte stránku **VanguardEngines.com** nebo zavolejte na **1-800-999-9333** (v USA).

Specifikace

Model: 130000	
Zdvihový objem	12.48 ci (205 cc)
Vrtání	2.688 in (68,28 mm)
Zdvih	2.200 in (55,88 mm)
Objem oleje	20 - 22 oz (,59 - ,65 L)
Typ oleje v redukčním převodu	80W-90
Objem oleje v redukčním převodu	4 oz (,12 L)
Vzduchová mezera zapalovací svíčky	.030 in (,76 mm)
Utahovací moment zapalovací svíčky	180 lb-in (20 Nm)
Vzduchová mezera zapalovací cívky	.010 - .014 in (,25 - ,36 mm)
Vůle sacího ventilu	.004 - .006 in (,10 - ,15 mm)
Vůle výfukového ventilu	.009 - .011 in (,23 - ,28 mm)

Model: 190000	
Zdvihový objem	18.63 ci (305 cc)
Vrtání	3.120 in (79,24 mm)
Zdvih	2.438 in (61,93 mm)
Objem oleje	26 - 28 oz (,77 - ,83 L)
Typ oleje v redukčním převodu	SAE 30
Objem oleje v redukčním převodu	12 oz (,35 L)
Vzduchová mezera zapalovací svíčky	.030 in (,76 mm)
Utahovací moment zapalovací svíčky	180 lb-in (20 Nm)
Vzduchová mezera zapalovací cívky	.010 - .014 in (,25 - ,36 mm)

Model: 190000	
Vúle sacího ventilu	.004 - .006 in (,10 - ,15 mm)
Vúle výfukového ventilu	.004 - .006 in (,10 - ,15 mm)

Výkon motoru klesá o 3,5 % na každých 300 metrů (1 000 stop) nadmořské výšky a o 1 % na každých 5,6 °C (10 °F) nad 25 °C (77 °F). Motor funguje normálně při náklonu do 15°. Maximální dovolené provozní limity pro svahy najdete v návodu k obsluze zařízení.

Servisní díly – model: 130000, 190000	
Servisní díl	Číslo dílu
Pěnový vzduchový filtr (model 130000, obrázek 14)	797378
Papírový vzduchový filtr (model 130000, obrázek 15)	797033
Předfiltr (model 130000, obrázek 15)	798513
Papírový vzduchový filtr (model 190000, obrázek 15)	797032
Předfiltr (model 190000, obrázek 15)	798795
Papírový vzduchový filtr (obrázek 16)	474279
Předfiltr (obrázek 16)	491435S
Advanced Formula Fuel Treatment & Stabilizer (Přípravek pro úpravu a stabilizaci paliva se zdokonaleným složením)	100117, 100120
Zapalovací svíčka s odrušením	491055
Klíč na zapalovací svíčku	19576, 5402
Zkoušečka zapalování	19368

Doporučujeme svěřit veškerý servis a údržbu motorů a jejich dílů některému autorizovanému prodejci značky Briggs & Stratton.

Jmenovitý výkon: Hrubý jmenovitý výkon jednotlivých modelů benzinových motorů je uváděn v souladu s normou J1940 pro postup při stanovování výkonu a krouticího momentu u malých motorů (Small Engine Power & Torque Rating Procedure), vydanou asociací SAE (Society of Automotive Engineers) a jmenovitý výkon byl získán a přepočten v souladu s normou SAE J1995. Hodnoty krouticího momentu byly získány při 2600 RPM u motorů označených štítkem „rpm“ a při 3060 RPM u všech ostatních motorů. Hodnoty výkonu u koních byly získány při 3600 RPM. Křivky hrubého výkonu motoru si můžete zobrazit na webu www.BRIGGSandSTRATTON.COM. Čisté hodnoty výkonu byly získány s namontovaným výfukem a vzduchovým filtrem, zatímco hrubé hodnoty výkonu byly získány bez tohoto příslušenství. Skutečný hrubý výkon motoru bude vyšší než čistý výkon, což je ovlivněno mimo jiné provozními podmínkami prostředí a rozdíly mezi jednotlivými vyrobenými kusy motorů. Z důvodu široké škály produktů, do nichž se motory umísťují, nemusí benzinový motor při použití v konkrétním druhu zařízení dosahovat jmenovitého hrubého výkonu. Tento rozdíl je způsoben mnoha faktory, mezi něž patří velký výběr komponent motoru (jako je například vzduchový filtr, výfuk, plnění, chlazení, karburátor, palivové čerpadlo atd.), omezení využití, provozní podmínky prostředí (teplota, vlhkost, nadmořská výška) a rozdíly mezi jednotlivými vyrobenými kusy motoru. V důsledku výrobních a kapacitních omezení může společnost Briggs & Stratton nahradit motor této série motorem s vyšším jmenovitým výkonem.

Záruka

Záruka na motor Briggs & Stratton

Platí od ledna 2017

Omezená záruka

Společnost Briggs & Stratton zaručuje, že během níže uvedených záruční lhůty opraví či vymění zdarma jakékoli defektní součástky, ať už jde o defekt materiálu či provedení či oboje. Za přepravní náklady spojené s přepravou výrobku k opravě či náhradě při uplatnění záruky je zodpovědný zákazník. Tato záruka je platná pro stanovená časová období a podléhá níže uvedeným podmínkám. Pro záruční servis se obraťte na nejbližšího autorizovaného servisního prodejce, který je uveden v přehledu prodejců na webových stránkách www.briggsandstratton.com. Zákazník musí kontaktovat autorizovaného servisního dealera a pak mu produkt zpřístupnit pro inspekci a testy.

Neexistují jiné výslovné záruky. Předpokládané záruky, včetně záruk týkajících se prodejnosti a vhodnosti pro určitý účel, jsou omezeny na níže uvedenou záruční lhůtu, anebo v rozsahu povoleném zákonem. Zodpovědnost za vedlejší či následné škody je vyloučena v rozsahu povoleném zákonem. Některé státy nepovolují omezení na délce trvání implikovaných záruk a některé státy nepovolují vyjmutí či omezení náhodných škod, takže výše uvedená vyjmutí a omezení na vás nemusí vztahovat. Tato záruka vám poskytuje specifická práva, nicméně můžete mít i jiná práva, která se mohou v jednotlivých státech a zemích lišit.⁴

Standardní záruční podmínky 1, 2, 3

Značka / Název produktu	Spotřebitelské použití	Komerční použití
Vanguard™; Série pro komerční použití	36 měsíců	36 měsíců
Motory vybavené litinovou vložkou válce Dura-Bore™	24 měsíců	12 měsíců
Všechny ostatní motory	24 měsíců	3 měsíce

¹Toto jsou naše standardní záruční podmínky, ale v některých případech může existovat další záruční krytí, které nebylo v době vydání tohoto dokumentu stanoveno. Informace o aktuálních záručních podmínkách pro váš motor získáte na webu www.briggsandstratton.com nebo kontaktováním autorizovaného servisního střediska Briggs & Stratton.

² Na motory v zařízeních, používaných jako primární pohon namísto elektrovozvodné sítě, ani v záložních generátorech, používaných ke komerčním účelům, se záruka neposkytuje. Na motory, používané při sportovních závodech nebo na komerčních či nájemních dráhách, se žádná záruka neposkytuje.

³ Motory Vanguard nainstalované na záložních generátorech: 24 měsíců záruka pro spotřebitelské používání, žádná záruka pro komerční používání. Motory Vanguard nainstalované u uživatelských vozidel: 24 měsíců záruka pro spotřebitelské používání, 24 měsíců záruka pro komerční používání. Série pro komerční použití s datem výroby do července 2017, 24 měsíců záruka pro spotřebitelské používání, 24 měsíců záruka pro komerční používání.

⁴ V Austrálii – Naše zboží je dodáváno se zárukami, které nelze vyloučit podle australských zákonů pro styk se zákazníky. Máte nárok na výměnu či vrácení peněz za větší selhání a kompenzaci za jakékoli jiné příměšené předvídatelné ztráty či škody. Máte také nárok na opravy či výměnu zboží, jestliže nedosahuje přijatelné kvality a selhání nepředstavuje rozhodující selhání. Pořebujete-li záruční servis, vyhledejte naše nejbližší autorizované servisní středisko, které zjistíte na mapě na webových stránkách BRIGGSandSTRATTON.com nebo telefonicky na čísle 1300 274 447, případně zasláním e-mailu na adresu salesenquiries@briggsandstratton.com.au, Briggs & Stratton Australia Pty Ltd, 1 Moorebank Avenue, Moorebank, NSW, Austrálie, 2170.

Záruční lhůta začíná původním dnem nákupu prvním maloobchodním nebo komerčním spotřebitelem. "Spotřebitelským používáním" se rozumí osobní používání maloobchodním spotřebitelem v domácnosti. "Komerčním použitím" se rozumí všechny ostatní druhy použití, a to včetně použití komerčního, výdělečného a v půjčovnách. Jakmile byl jednou motor použit pro komerční účely, musí být pro účely této záruky nadále považován za motor pro komerční použití.

Ušchovejte si váš pokladní doklad. Jestliže při vyžádání záruky neposkytnete doklad s datem zakoupení, bude pro určení záruční lhůty produktu použito datum výroby. Pro obdržení záruky na produkty Briggs & Stratton není nutné, aby byly registrovány.

O vaší záruce

Tato omezená záruka se vztahuje pouze na materiál a/nebo zpracování související s motorem, a nikoliv na výměnu nebo proplacení zařízení, na kterém může být motor namontován. Na běžnou údržbu, tuning, seřizování nebo normální opotřebení se tato záruka nevztahuje. Stejně tak se záruka nevztahuje na motor, který byl pozměněn nebo upraven ani na motor, jehož sériové číslo bylo znečitelněno nebo odstraněno. Tato záruka se nevztahuje na poškození motoru ani na problémy s výkonem způsobené:

1. Použitím jiných než originálních dílů Briggs & Stratton;
2. Provozováním motoru s kontaminovaným mazacím olejem, s nesprávným typem oleje nebo s jeho nedostatečnou hladinou;
3. Použitím kontaminovaného nebo starého paliva, benzínu smíchaného s více než 10 % etanolu nebo použitím alternativních paliv, jako je zkapalněný nebo zemní plyn u motorů, které nebyly společností Briggs & Stratton zkonstruovány/vyrobeny pro použití těchto paliv;
4. Nečistotou, která se dostala do motoru v důsledku nesprávné údržby nebo zpětné montáže vzduchového filtru;
5. Úderem nože rotační sekačky na trávu do nějakého předmětu, uvolněnými nebo nesprávně namontovanými nožovými adaptéry, oběžnými koly nebo jinými prvky spojenými s klikovým hřídelem nebo nadměrným napnutím klínového řemene;
6. Souvisejícími součástmi nebo sestavami, např. spojkami, převody, ovládacími zařízeními apod., které nebyly dodány společností Briggs & Stratton;
7. Přehřátím vyvolaným kusy trávy, nečistotami, úlomky nebo hnízdý hlodavců ucpávajících chladicí žebra nebo prostor setrvačnicku nebo provozování motoru bez dostatečné ventilace;
8. Nadměrnými vibracemi vyvolanými přílišnými otáčkami, uvolněným závěsem motoru, uvolněnými nebo nevyváženými noži či oběžnými koly nebo nesprávnou montáží součástí zařízení na klikový hřídel;
9. Nesprávným používáním, nedostatečnou běžnou údržbou, přepravou, manipulací nebo skladováním zařízení nebo nesprávnou montáží motoru.

Záruční služby zajišťují pouze autorizovaní zástupci společnosti Briggs & Stratton. Vaše nejbližší autorizované zástupce společnosti Briggs & Stratton zjistíte na naší mapě na webových stránkách www.briggsandstratton.com nebo telefonicky na čísle 1-800-233-3723 (v USA).

Not for
Reproduction

See kasutusjuhend sisaldab ohutusosalast infot, et teadvustada Teid mootoritega seotud ohtudest ja riskidest ning nende vältimise võimalustest. Lisaks sisaldab see juhiseid mootori õige kasutamise ja hooldamise kohta. Kuna Briggs & Stratton Corporation ei pruugi teada, millist seadet see mootor käitab, on oluline, et te loeksite ja mõistaksite siinseid ja käitatava seadme kohta käivaid juhiseid **Hoidke käesolev kasutusjuhend edaspidiseks kasutamiseks alles.**

Märkus. Joonised, illustatsioonid ja piktogramm selle juhendis on üksnes viitelise iseloomuga ja võivad konkreetselt mudelist erineda. Kui teil tekib küsimusi, siis pöörduge oma edasimüüja poole.

Varuosade tellimisel ja tehnilise abi saamiseks pange allpool kirja mootori mudel, tüüp ja koodid koos ostukuupäevaga. Nende numbrite asukohti vaadake mootorilt (vt teemat **Omadused ja juhtseadised**).

Ostukuupäev:	
Mootori mudel – Tüüp – Kood	
Mootori seerianumber	

Mõnel mootoril on olemas vastav 2D-võõtkood. 2D-võõtkoodi toega seadmega skannides viib kood meie veebisaidile, kus saate vaadata selle toote tugiteavet. Sellega võivad kaasneda teie teenusepakkuja andmesideteadused. Mõnes riigis ei pruugi veebipõhine tugiteave olla kättesaadav.



Ringlussevõtuinfo

		Kõik pakendid, kasutatud õlid ja akud tuleb ringlusse võtta vastavalt sellekohastele valitsuse määrustele.
--	--	--

Kasutaja turvalisus

Hoiatussümbol ja märgusõnad

Hoiatustähisega on tähistatud ohusteave, mis hoiatab võimalike kehavigastuste ohu eest. Märgusõna (OHT, HOIATUS või ETTEVAATUST) kasutatakse koos hoiatustähisega, et näidata ohu tõenäosust ja võimaliku kehavigastuse tõsidust. Lisaks võib ohutähis märkida ohu tüüpi.

OHT tähistab ohtu, mis juhul, kui seda ei väldita, **toob kaasa surma või raske kehavigastuse.**

HOIATUS tähistab ohtu, mis juhul, kui seda ei väldita, **võib kaasa tuua surma või raske kehavigastuse.**

ETTEVAATUST tähistab ohtu, mis juhul, kui seda ei väldita, **võib kaasa tuua kerge või keskmise kehavigastuse.**

TEATIS tähistab olukorda, kus seade võib saada kahjustada.

Ohu tähised ning nende tähendused

Sümbol	Tähendus	Sümbol	Tähendus
	Ohusteave ohtude kohta, mis võivad põhjustada kehavigastusi.		Lugege kasutusjuhend enne seadme käsitsemist või hooldamist tähelepanelikult läbi.

Sümbol	Tähendus	Sümbol	Tähendus
	Tuleoht		Plahvatusoht
	Elektriöögi oht		Mürgiste gaaside sissehingamise oht
	Põletushaavade oht (kuum pind)		Mürakahjustuse oht – pikemaajalisel kasutamisel on soovitatav kanda kõrvaklappe.
	Lendupaiskuvate objektide oht – kandke kaitseprille.		Plahvatusoht
	Külmakahjustuse oht		Tagasilöögi oht
	Jäsemekaotuse oht – liikuvad osad		Keemiline oht
	Soojusenergia oht		Söövitav

Ohutusteated



HOIATUS

Teatud komponendid tootel ja sellega seotud tarvikud sisaldavad keemilisi aineid, mis põhjustavad California osariigile teadaolevalt vähki, sünnidefekte või muid reproduktiivsuskahjustusi. Pärast käsitsemist peske käsi.



HOIATUS

Käesoleva toote mootori heitgaasid sisaldavad keemilisi aineid, mis põhjustavad California osariigile teadaolevalt vähki, sünnidefekte või muid reproduktiivsuskahjustusi.



HOIATUS

Briggs & Strattoni mootorid pole mõeldud kasutamiseks järgmistes rakendustes: kardid, lastekardid, lastesõidukid, vabaaja- või sportlikud maastikusõidukid (ATV-d); mootorrrattad; hõljuhid; õhusõidukid; või sõidukid, mida kasutatakse võistlustel, millele pole Briggs & Stratton luba andnud. Võidusõidutoodete kohta leiate teavet aadressilt www.briggsracing.com. Tarbesõidukite ja mitmekohaliste ATVdega kasutamiseks pidage nõu Briggs & Strattoni mootorirakenduste keskusega, tel 1 866 927 3349. Mootori mittekohane kasutamine võib põhjustada raskeid vigastusi või surma.



HOIATUS



Kütus ja selle aurud on äärmiselt kergesti süttivad ning plahvatusohtlikud.

Tulekahju või plahvatus võivad põhjustada tõsiseid põletusi või surma.

Kütuse lisamisel

- Lülitage mootor välja ning laske sellel jahtuda vähemalt 2 minutit enne kütusekorgi eemaldamist.
- Lisage kütust õues või hästi ventileeritud alas.
- Vältige kütusepaagi ületäitmist. Jätmaks ruumi kütuse paisumiseks, ärge täitke kõrgemalt kui kütusepaagi kaela alumise osani.
- Hoidke kütus eemal sädemetest, lahtisest leegist, pilootleekidest, kuumusest ning teistest süüteallikatest.

- Veenduge sageli, et kütusetorudes, paagis, korgi ning torulütmike juures ei oleks pragusid ega lekkeid. Vajaduse korral asendage.
- Kütuse väljaloksumisel oodake selle aurustumist, enne kui mootori käivitate.

Mootori käivitamisel

- Veenduge, et süüteküünlal, summuti, kütusepaagi kork ning õhupuhasi (selle olemasolul) on paigas ja kinnitatud.
- Ärge käituge mootorit, kui süüteküünlal on eemaldatud.
- Kui mootor on üle ujutatud, siis seadke õhuklapp (selle olemasolul) asendisse AVATUD/TOIDE, viige seguklapp (selle olemasolul) asendisse KIIRE ning käituge, kuni mootor käivitub.

Seadme kasutamine

- Ärge kallutage mootorit ega seadet asendisse, milles kütus võib välja voolata.
- Ärge sulgege karburaatori ahendusklappi mootori peatamiseks.
- Ärge käivitage ega käituge mootorit, kui õhupuhasi koost (kui olemas) või õhufilter (kui olemas) on eemaldatud.

Õli vahetamisel

- Kui lasete õli välja ülemise õlitäitetoru kaudu, peab kütusepaak olema tühi, vastasel korral võib kütus välja voolata ja põhjustada tulekahju või plahvatus.

Seadme hooldusotstarbeks kallutamisel

- Kui seadme hooldamine nõuab selle kallutamist, peab kütusepaak, kui see on kinnitatud mootori külge, olema tühi, vastasel korral võib kütus välja voolata ja põhjustada tulekahju või plahvatus.

Seadme transportimisel

- Transportimise ajal peab kütusepaak olema TÜHI või kütusekraan SULETUD asendis.

Kütuse või paagis oleva kütusega seadmete hoiustamisel

- Paigutage need eemale ahjustest, pliitidest, veesoojenditest või teistest seadmetest, millel on pilootleek või teised süüteallikad, sest need võivad kütuseaurusid süüdata.



HOIATUS

Mootori käivitamisel tekib säde.

Säde võib süüdata lähedalolevaid kergestisüttivaid gaase.

See võib põhjustada plahvatus ja tulekahju.

- Kui ümbruskonnas on aset leidnud maa- või vedelgaasilekke, ärge mootorit käivitage.
- Ärge kasutage survestatud käivitusvedelikke, sest nende aurud on tuleohtlikud.



HOIATUS

MÜRGISE GAASI OHT. Mootori heitgaasid sisaldavad süsinikmonoksiidi e vingugaasi, mis on mürgine ja võib tappa mõne minuti jooksul. Te EI NÄE seda, ei tunne selle lõhna ega maitset. Isegi kui te ei tunne heitgaaside lõhna, ei pruugi te olla kaitstud vingugaasi eest. Kui tunnete selle toote kasutamisel iiveldust, peapööritust või nõrkust, siis lülitage masin välja ja minge KOHE värse õhu kätte. Pöörduge arsti poole. Võimalik, et teil on vingugaasi mürgitus.

- Kasutage seda toodet AINULT väga kaugel akendest, udest ja ventilatsioonivadest, et vältida vingugaasi kogunemise ohtu ja selle potentsiaalset liikumist eluruumide suunas.
- Paigaldage akutoitel töötavad vingugaasi alarimid või vooluvõrgutoitega vingugaasi alarimid koos varutoite akuga kooskõlas tootja juhistega. Suitsualarimid ei suuda vingugaasi tuvastada.
- ÄRGE käituge seda toodet majades, garaazides, keldrites, madalates käikudes, kuurides või teistes osaliselt suletud ruumides isegi siis, kui kasutate ventilaatoreid või avate ukseid ja aknad õhutamiseks. Vingugaas võib kiiresti nendesse ruumidesse koguneda ja seal mitmeid tunde püsida, isegi pärast masina väljalülitamist.
- Paigutage see toode ALATI allatuult ja suunake mootori heitgaasid eemale aladest, kus viibivad inimesed.



HOIATUS

Starteritrossi järsk tagasitõmbumine (tagasilöökk) tõmbab teie kätt mootori poole kiiremini, kui te starteritrossist lahti suudate lasta.

See võib põhjustada luumurde, muljumishaavasid või nikastusi.



HOIATUS

Pöörlevad osad võivad käte, jalgade, juuste, rõivaste või aksessuaaride vastu puutuda või nende külge haakuda.

Tagajärjeks võib olla kehaosade küljestrebimine või vigastus.

- Kasutage üksnes korras kaitsepiiretega seadmeid.
- Hoidke käed ja jalad pöörlevatest osadest eemal.
- Siduge pikad juuksed üles kokku ning eemaldage ehted.
- Ärge kandke avaraid rõivaid, rippuvaid kinnituspaelu ega muid esemeid, mis võivad seadmesse takerduda.



HOIATUS

Mootori töötamine tekitab soojust. Mootori osad, eriti summuti, muutuvad äärmiselt kuumaks.

Kokkupuude sellega võib kaasa tuua tõsiseid põletusi.

Lehed, rohi, hagu vms praht võivad kergesti süttida.

- Laske summutil, mootori silindril ning ribidel enne nende katsumist jahtuda.
- Eemaldage kogunenud prügi summuti ning silindri piirkonnast.
- California avalike ressursside seaduse (ingl California Public Resource Code) lõike 4442 järgi on motoriseeritud seadme kasutamine mis tahes metsa-, põõsa- või murualadel ja nende lähedal keelatud, kui nimetatud seadme väljalaskesüsteem ei ole varustatud eelnimetatud seaduselõike nõuetele vastava sädemepüüdjaga. Teistes riikides või jurisdiktsioonides võivad kehtida sarnased seadused. Võtke ühendust originaalvaruosade tootja, jaemüüja või edasimüüjaga, et hankida sellele mootorile paigaldatud väljalaskesüsteemile mõeldud sädemepüüdur.



HOIATUS

Juhuslik säde võib põhjustada tulekahju või elektrilöögi.

Tahtmatu käivitus võib põhjustada takerdumise, traumaatilise amputatsiooni või rebendeid.

Tuleoht

Enne reguleerimise või parandustööde teostamist tehke järgmist.

- Ühendage süüteküünla juhe lahti ning hoidke see süüteküünlast eemal.
- Ühendage lahti aku miinusklapp (ainult elektrikäivitiga mootorite puhul).
- Kasutage ainult sobivaid tööriistu.
- Ärge püüdke gaasihoova vedru, ühendusülili või mõne muu detaili manipuleerimisega suurendada mootori pöördeid.
- Varuosad peavad olema sama kujuga ja paigaldatud samas asendis kui originaaldetailid. Muud varuosad ei pruugi sama hästi toimida ning võivad kahjustada seadet ja põhjustada vigastusi.
- Ärge lööge hooratust haamri või muu kõva esemega, sest see võib põhjustada hooratta hilisema purunemise töö käigus.

Sädeme kontrollimisel tehke järgmist.

- Kasutage tunnustatud süüteküünla testrit.
- Ärge kontrollige sädet, kui süüteküünlal on eemaldatud.

Omadused ja juhtseadised

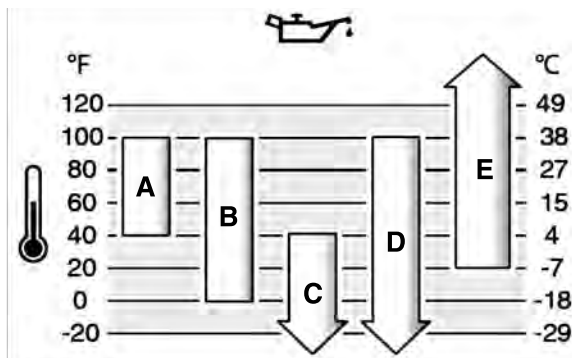
Mootori juhtseadised

Võrrelge illustratsiooni (joonis: 1, 2, 3, 4) oma mootoriga, et õppida tundma osade ja juhtseadiste paigutust.

- Mootori tuvastusnumbrid **mudel – tüüp – kood**

- B. Süüteküüna
- C. Kütusepaak ja kork
- D. Õhufilter
- E. Starteri nõõri käepide
- F. Õli täiteava ja mõõtevarras
- G. Õli väljalaskeava
- H. Summuti, summuti kate (kui on olemas), sädemepüüdja (kui on olemas)
- I. Õhuklapi juhtimine
- J. Seguklapi hoob (kui on olemas)
- K. TransportGuard™ – kütuse- ja süütehoob
- L. Õhuvõtuvõre
- M. Reduktorisõlm (kui on olemas)
- N. Seiskamislülit (kui on olemas)
- O. Elektrilise käivituse lülit, kui see on varustuses ¹

¹ Mõnel mootoril ja seadmel on kaugjuhtimispuul. Kaugjuhtimispuuldi asukohta ja kasutamist vt seadme kasutusjuhendist.



A	SAE 30 – 4 °C (40 °F) madalamatel temperatuuridel on SAE 30 õli kasutamisel mootori käivitamine raskendatud.
B	10W-30 – 27 °C (80 °F) temperatuuridel võib 10W-30 õli kasutamine õlitartvet suurendada. Kontrollige õlitaset sagedamini.
C	5W-30
D	Sünteeiline 5W-30
E	Vanguard™ Synthetic 15W-50

Mootori juhtsümbolid ja nende tähendused

Sümbol	Tähendus	Sümbol	Tähendus
	Mootori kiirus – KIIRE		Mootori kiirus – AEGLANE
	Mootori kiirus – SEISKAMINE		SEES – VÄLJAS
	Mootori käivitamine – õhuklapp asendis SULETUD		Mootori käivitamine – õhuklapp asendis AVATUD
	Kütusepaagi kork Kütusekraan – AVATUD		Kütusekraan – SULETUD
	Kütusetase – maksimaalne Ärge täitke üle.		

Kasutamine

Õlisoovitused

Õlimaht: Vt jaotist *Spetsifikatsioonid*.

MÄRKUS

Mootor tarnitakse Briggs & Strattoni tehases ilma õlita. Seadme tootjad või edasimüüjad võivad olla mootori õliga täitnud. Kontrollige kindlasti enne mootori esmakordset käivitamist õlitaset ja lisage vajadusel õli vastavalt kasutusjuhendis toodud juhistele. Kui käivitate mootori ilma õlita, saab see püsivalt kahjustusi, mida ei saa remontida ning millele garantii ei laiene.

Parima jõudluse tagamiseks on soovitatav kasutada Briggs & Strattoni garantiinõuetele vastavat sertifitseeritud õli. Muude kvaliteetsete õlide kasutamine on lubatud, kui need vastavad klassi SF, SG, SH, SJ nõuetele või ületavad neid. Ärge kasutage lisandeid.

Mootoriõli vajaliku viskoossuse määravad välistemperatuurid. Kasutage tabelit, et valida oodatava välistemperatuuri vahemiku jaoks kõige sobivama viskoossusega õli. Enamik õues kasutatavatest masinatest töötavad hästi 5W-30 sünteetilise õliga. Kõrgete temperatuuride korral tagab parima kaitse sünteetiline õli Vanguard™ 15W-50.

Kontrollige õlitaset

Vt joonist 5

Enne õli lisamist või kontrollimist

- Veenduge, et mootor on tasakaalus.
- Puhastage õlitäiteava ümbrus prahist.

1. Eemaldage õlivarras (A, joonis 5) ja pühkige see puhta lapiga üle.
2. Paigaldage mõõtevarras (A, joonis 5). **Ärge pöörake ega pingutage.**
3. Eemaldage õlivarras ja kontrollige õlitaset. Õige õlitase on mõõtevarra täistase tühise ülaservas (B, joonis 5).
4. Kui õlitase on madal, siis lisage aeglaselt õli mootoriõli täiteavas (C, joonis 5). Täitke kuni ääreni.
5. Paigaldage mõõtevarras ja keerake kinni (A, joonis 5).

Madala õlitase kaitse süsteem (sõltuvalt varustusest)

Mõnel mootoril on madala õlitase andur. Kui õlitase on madal, siis aktiveerib andur hoiatustule või seiskab mootori. Seisake mootor ja tehke enne selle uut käivitamist allnimetatud toimingud.

- Veenduge, et mootor on tasakaalus.
- Kontrollige õlitaset. Vt teemat **Õlitase kontrollimine**.
- Kui õlitase on madal, siis lisage vajalik kogus õli. Käivitage mootor ja veenduge, et hoiatustuli (kui olemas) ei sütti.
- Kui õlitase ei ole madal, siis ärge mootorit käivitage. Võtke ühendust Briggs & Strattoni volitatud esindusega ja laske õlisüsteemi rike korda teha.

Kütusega seotud soovitus

Kütus peab vastama järgmistele nõuetele:

- puhas, värske, pliivaba bensiin.
- Minimaalne oktaanarv 87 / 87 AKI (91 RON). Suurtel kõrgustel kasutamine, vt allpool.
- Lubatud on kasutada kuni 10%-lise etanoolisisaldusega bensiini (bensini ja alkoholi segu).

MÄRKUS Ärge kasutage heakskiitmata bensiini, nt E15 ja E85. Ärge lisage õli bensiinile ega modifitseerige mootorit teiste kütustega kasutamiseks. Kasutusloata kütuste tarvitamine tekitab mootoriosade kahjustusi, mida garantii ei kata.

Vältimaks vaigujääkide ladestumist kütusesüsteemis, lisage kütusele kütusestabilisaatorit. Vt teemat **Hoiustamine**. Kõik kütused ei ole ühesugused. Kui esineb probleeme mootori käivitamise või jõudlusega, siis vahetage kütuse tarnijat või kütuse marki. See mootor on sertifitseeritud kasutamiseks bensiiniga. Mootori heitgaasikoguste kontrollisüsteem on EM (mootori modifikatsioonid).

Suured kõrgused

Kõrgustel üle 1524 meetri (5000 jalga) on nõutav bensiin oktaanarvuga vähemalt 85/85 AKI (89 RON).

Karburaatoriga mootor tuleb töövoime säilitamiseks suure kõrguse jaoks reguleerida. Reguleerimata kasutus põhjustab madalamat jõudlust, suuremat kütusekulu ja lubatud rohkem heitmeid. Mootori seadistamiseks suurte kõrgustel töötamiseks võtke ühendust Briggs & Strattoni volitatud edasimüüjaga. Mootori kasutamine kõrgustel alla 762 meetri (2500 jalga) suure kõrguse jaoks mõeldud varustusega ei ole soovitatav.

Elektronilise sissepritsiga mootorit ei ole vaja suure kõrguse jaoks reguleerida.

Kütuse lisamine

Vt joonist 6



HOIATUS

Bensiin ja selle aurud on väga tule- ja plahvatusohtlikud.

Süttimine või plahvatus võib põhjustada raskeid põletushaavu või surma.

Kütuse lisamisel

- Lülitage mootor välja ning laske sellel jahtuda vähemalt 2 minutit enne kütusekorgi eemaldamist.
 - Lisage kütust õues või hästi ventileeritud alas.
 - Ärge kütusepaaki üle täitke. Jätmaks ruumi kütuse paisumiseks, ärge täitke kõrgemalt kui kütusepaagi kaela alumise osani.
 - Hoidke kütus eemal sädemetest, lahtisest leegist, süütleegist, kuumusest ning teistest süütleelikest.
 - Kütusetorusid, paaki, korki ning toruliitmikke kontrollige sageli pragude ja lekete suhtes. Vajaduse korral asendage need.
 - Kütuse väljaloksumise korral oodake, kuni see on aurustunud, enne kui käivitate mootorit.
- Puhastage kütusekorgi ala mustusest ja prügist. Eemaldage kütusepaagi kork.
 - Täitke kütusepaak (A, joonis 6) kütusega. Jätmaks ruumi kütuse paisumiseks, ärge täitke kõrgemalt kui kütusepaagi kaela (B) alumise osani.
 - Asetage kütusepaagi kork tagasi.

Mootori käivitamine ja seiskamine

Vt joonist 7, 8

Käivitage mootor



HOIATUS

Starteritrossi järsk tagasitõmbumine (tagasilöök) tõmbab teie kätt mootori poole kiiremini, kui te starteritrossist lahti suudate lasta.

See võib põhjustada luumurde, muljumishaavasid ja nikastusi.

- Mootori käivitamisel tõmmake aeglaselt starteri trossi, kuni tunnete vastupanu, seejärel tõmmake kiiresti, et vältida tagasilööki.



HOIATUS

Bensiin ja selle aurud on väga tule- ja plahvatusohtlikud.

Süttimine või plahvatus võib põhjustada raskeid põletushaavu või surma.

Mootori käivitamisel

- Veenduge, et süüteküünel, summuti, kütusepaagi kork ning õhupuhasi (selle olemasolul) on paigas ja kinnitatud.
- Ärge käitage mootorit, kui süüteküünel on eemaldatud.
- Kui mootor on üle ujutatud, siis seadke õhuklapp (selle olemasolul) asendisse OPEN või RUN (Avatud/Käita), viige seguklapp asendisse KIIRE ning käitage, kuni mootor käivitub.



HOIATUS

OHTLIKULT MÜRGINE GAAS. Mootori heitgaasid sisaldavad süsinikmonoksiidi e vingugaasi, mis on mürgine ja võib tappa mõne minuti jooksul. **Te EI NÄE seda, ei tunne selle lõhna ega maitset. Isegi kui te ei tunne heitgaaside lõhna, ei pruugi te olla kaitstud vingugaasi eest. Kui tunnete selle toote kasutamisel iiveldust, peapööritust või nõrkust, lülitage see välja ja minge KOHE värskesse õhu kätte. Pöörduge arsti poole. Võimalik, et teil on vingugaasimürgitus.**

- Kasutage toodet AINULT välitingimustes ning akendest, udest ja õhutusavadest eemal, et vältida vingugaasi kogunemist ja sattumist siseruumidesse.
- Paigaldage akutoitel töötavad vingugaasi alarmid või juhtmega vingugaasi alarmid koos varutoite akuga kooskõlas tootja juhistega. Suitsuandurid ei suuda tuvastada vingugaasi.
- ÄRGE kasutage seda toodet majades, garaazides, keldrites, madalates käikudes, kuurides või teistes osaliselt suletud ruumides isegi siis, kui kasutate ventilaatoreid või avate ukseid ja aknad õhutamiseks. Vingugaas võib kiiresti nendes ruumides koguneda ja püsida seal mitmeid tunde isegi pärast masina väljalülitamist.
- Asetage toode ALATI allatuult ja suunake heitgaasid inimestest eemale.

MÄRKUS Mootor tarnitakse Briggs & Strattoni tehastest õliga täidetult. Enne mootori käivitamist tuleb lisada õli vastavalt kasutusjuhendis toodud instruktsioonidele. Mootori käivitamine ilma õlita põhjustab selle pöördumatuid kahjustusi, mida garantii ei kata.

Märkus. Seadmel võib olla kaugjuhtimispuult. Kaugjuhtimispuldi asukohta ja kasutamist vt seadme kasutusjuhendist.

- Kontrollige mootoriõli. Vt teemat **Õlitase kontrollimine**.
- Kandke hoolt, et juhtseadised (nende olemasolul) oleksid välja lülitatud.
- Seadke kütuse- või süütehoob (A, joonis 7) selle olemasolul avatud või käivitusasendisse.
- Kui seadmel on olemas seguklapi hoob (B, joonis 7), siis viige see kiirese asendisse. Kasutage mootorit kiirese asendis.
- Lükake õhuklapi hoob (C, joonis 7, 8) suletud asendisse.

Märkus. Õhuklapi kasutamine ei ole tavaliselt vajalik, kui käivitatakse sooja mootorit.

- Lülitage stopplüliti (E, joonis 8), kui see on olemas, sisselülituse asendisse.
- Käsistarter, kui see on varustuses** Haarake kindlalt käiviti trossi käepidemest (D, joonis 7, 8). Tõmmake trossi aeglaselt, kuni tunnete takistust, seejärel tõmmake kiiresti.



HOIATUS

Starteritrossi järsk tagasitõmbumine (tagasilöök) tõmbab teie kätt mootori poole kiiremini, kui te starteritrossist lahti suudate lasta. See võib põhjustada luumurde, muljumishaavasid ja nikastusi. Mootori käivitamisel tõmmake aeglaselt starteri trossi, kuni tunnete vastupanu, seejärel tõmmake kiiresti, et vältida tagasilööki.

- Elektrikäivitus, kui on varustatud** Keerake elektrilise käivituse lüliti (F, joonis 8) töö/käivituse asendisse.

MÄRKUS MÄRKUS: Kasutage starteri eluea pikendamiseks lühikesi käivitustsükleid (kõige enam viis sekundit) Enne uut käivitamist oodake minut aega.

- Kuni mootor soojeneb, lükake õhuklapi hoob (C, joonis 7, 8) avatud asendisse.

Märkus. Kui mootor pärast korduvaid katseid ei käivitu, võtke ühendust oma edasimüüjaga, vaadake **VanguardEngines.com** või helistage **1-800-999-9333** (USAs).

Seisake mootor



HOIATUS

Bensiin ja selle aurud on väga tule- ja plahvatusohtlikud.

Süttimine või plahvatus võib põhjustada raskeid põletushaavu või surma.

- Ärge sulgege ahendusklappi mootori peatamiseks.
- Seiskamisüliti, kui on varustuses olemas** Liigutage seiskamisüliti (E, joonis 8) seiskamisasendisse.
Kütuse- ja süütehoob, kui on varustuses Liigutage kütuse-/süütehoob (A, joonis 7) väljalülitus- või seiskamisasendisse.
 - Elektrikäivitus, kui on varustatud** Eemaldage võti. Hoidke võtit laste jaoks kättesaamatus kohas.

Hooldamine

MÄRKUS Kui mootorit tuleb hoolduse käigus kallutada, siis peab mootorile kinnitatud kütusepaak olema tühi ja süüteküünal üleval. Kui kütusepaak ei ole tühi ja mootor on kallutatud mõnes muus suunas, võib käivitamine olla raskendatud, kuna õli või bensiin on saastanud õhufiltri ja/või süüteküünla.



HOIATUS

Kui seadme hooldamine nõuab selle kallutamist, peab kütusepaak olema tühi, vastasel korral võib kütus välja voolata ja põhjustada tulekahju või plahvatuse.

Soovitame mootori ja mootori osade mis tahes hoolduseks pöörduda Briggs & Strattoni volitatud edasimüüja poole.

MÄRKUS Kõik mootori ehitamisel kasutatud osad peavad jääma korrektse töö tagamiseks oma kohale.



HOIATUS



Juhuslik säde võib põhjustada põlengu või elektrilöögi.

Tahtmatu käivitus võib põhjustada takerdumise, traumaatilise amputatsiooni või rebendeid.

Tuleoht

Enne seadistamist või parandamist:

- Ühendage süüteküünla juhe lahti ning hoidke see süüteküünlast eemal.
- Ühendage lahti aku miinusklapp (ainult elektrikäivitiga mootorite puhul).
- Kasutage ainult õigeid tööriistu.
- Ärge püüdke gaasihoova vedru, ühendusülili või mõne muu detaili kallal nokitsemisega suurendada mootori pöördedeid.
- Varuosad peavad olema sama kujuga ja paigaldatud samas asendis kui originaaldetailid. Muud varuosad ei pruugi sama hästi toimida ning võivad kahjustada seadet ja põhjustada vigastusi.
- Ärge lööge hooratust haamri või muu kõva esemega, sest see võib põhjustada hooratta hilisema purunemise töö käigus.

Sedeme kontrollimisel:

- Kasutage selleks ettenähtud süüteküünlatestrit.
- Ärge kontrollige sädet, kui süüteküünal on eemaldatud.

Heitgaasikoguste kontrollsüsteemi hooldus

Heitgaasikoguste kontrollseadiste ja süsteemide hooldust, osade vahetust ja remonti võib teha iga töökoda või isik, kes tegeleb maastikusõidu mootorite remontimisega. Heitgaasikoguste kontrollsüsteemi tasuta hoolduse saamiseks tuleb töö lasta teha tootja volitusega esinduses. Vt heitgaasikoguste kontrollsüsteemi teatisi.

Hooldusgraafik

Pärast esimest 5 tundi
<ul style="list-style-type: none">• Vahetage õli välja
Iga 8 tunni järel või iga päev
<ul style="list-style-type: none">• Kontrollige mootoriõli taset• Puhastage summuti ja juhtseadiste ümbrus• Puhastage õhuvõtuvõre
Iga 25 töötundi järel või kord aastas
<ul style="list-style-type: none">• Puhastage õhufilter ¹• Puhastage eelpuhasti ¹
Iga 50 töötundi järel või kord aastas
<ul style="list-style-type: none">• Vahetage mootoriõli• Hooldage heitgaasisüsteemi
Iga 100 tunni järel
<ul style="list-style-type: none">• Vahetage reduktoriõli (olemasolul)

Kord aastas

- Vahetage süüteküünal
- Asendage õhufilter
- Vahetage eelpuhasti
- Hooldage kütusesüsteemi
- Hooldage jahutussüsteemi ¹
- Kontrollige klappivahesid ²

¹ Tolmustes tingimustes või kergesti lenduva prügi korral puhastage sagedamini.

² Pole kohustuslik, kui mootor töötab tõrgeteta.

Karburaator ja mootori pöörded

Ärge reguleerige karburaatorit või mootori pöörelemissagedust. Karburaator on tehases häälestatud efektiivseks tööks enamikus kasutustingimustes. Ärge püüdke gaasihoova vedru, ühendusülili või mõne muu detaili kallal nokitsemisega muuta mootori pöördedeid. Kui on vaja midagi reguleerida, siis laske seda teha Briggs & Strattoni volitatud teeninduses.

MÄRKUS Seadme tootja on määranud seadmele paigaldatud mootori suurima lubatud kiiruse. Ärge ületage seda kiirust. Kui te ei tea seadme max lubatud kiirust või seda, millisele kiirusele on mootor tehases reguleeritud, siis pöörduge abi saamiseks Briggs & Strattoni volitatud teenindusse. Seadme ohutu ja nõuetekohase töö tagamiseks tohib mootori kiirust reguleerida ainult vastava kvalifikatsiooniga hooldustehnik.

Süüteküünla hooldus

Vt joonist 9

Kontrollige sädevahemikku (A, joonist 9) vastava mõõdikuga (B). Vajadusel reguleerige vahemikku Paigaldage süüteküünal ja pingutage nõutud jõumomendini Sädevahemiku ja jõumomendi kohta saate teavet peatükist **Tehnilised andmed**.

Märkus. *Mõningates piirkondades nõutakse süüteimpulssi summutava takistiga süüteküünla kasutamist Kui teie mootor oli algselt varustatud takistiga süüteküünlaga, kasutage sarnast süüteküünalt ka edaspidi.

Heitgaasisüsteemi hooldus



HOIATUS



Mootori töötamine tekitab soojust. Mootori osad, eriti summuti, muutuvad eriti kuumaks.

Nende puudutamine võib kaasa tuua raskeid põletushaavu.

Põlevad jäägid, näiteks puulehed, rohulibled, kõrred jms võivad süttida.

- Laske summutil, mootori silindril ning ribidel enne nende katsumist jahtuda.
- Eemaldage kogunenud prügi summuti ning mootorisilindri piirkonnast.
- California avalike ressursside koodeksi lõike 4442 järgi on motoriseeritud seadme kasutamine mis tahes metsa-, põõsa- või murualadel ja nende lähedal keelatud, kui nimetatud seadme väljalaskesüsteem ei ole varustatud lõikes 4442 määratletud sädemepüüdjaga. Teistes riikides või jurisdiktsioonides võivad kehtida sarnased seadused. Võtke ühendust originaalvaruosade tootja, jaemüüja või edasimüüjaga, et hankida sellele mootorile paigaldatud väljalaskesüsteemile mõeldud sädemepüüdur.

Eemaldage kogunenud prügi summuti ning mootorisilindri piirkonnast. Kontrollige summutit pragude, rooste või muude kahjustuste suhtes Eemaldage sädemepüüdur (kui olemas) ja veenduge, et ei esine kahjustusi ega tahmasadestisi Kahjustuste avastamisel paigaldage enne kasutamist varuosad.



HOIATUS

Varuosad peavad olema sama kujuga ja paigaldatud samas asendis kui originaaldetailid. Muud varuosad ei pruugi sama hästi toimida ning võivad kahjustada seadet ja põhjustada vigastusi.

Vahetage mootoriõli

Vt joonist 10, 11

Kasutatud õli on ohtlik jääkprodukt ning see tuleb nõuetekohaselt kõrvaldada. Ärge visake seda ära koos olmejäätmetega. Kasutatud õli kõrvaldamise ja/või töötlemise kohta saate teavet kohalikust omavalitsusest, teeninduskeskusest või edasimüüjalt.

Õlist tühjendamine

1. Kui mootor on välja lülitatud, kuid veel soe, siis lahutage süüteküünla juhe (D, joonis 10) ja hoidke see süüteküünlast (E) eemal.
2. Eemaldage mõõtevarras (A, joonis 11).
3. Eemaldage õli väljalaskekork (F, joonis 11). Laske õli välja sobivasse mahutisse.

Märkus. Mootorile saab paigaldada mitmesuguseid õli väljalaskekork (G, joonis 11).

4. Kui õli on välja voolanud, siis pange väljalaskekork (F, joonis 11) tagasi ja keerake kinni.

Lisage õli

- Veenduge, et mootor on tasakaalus.
- Puhastage õli täiteava ümbrus prahist.
- Vt õlikoguse määramiseks jaotist **Tehnilised andmed**.

1. Eemaldage õlivarras (A, joonis 11) ja pühkige see puhta lapiga üle.
2. Valage aeglaselt õli mootoriõli täitevasse (C, Figure 11). Täitke kuni ääreni.
3. Paigaldage mõõtevarras (A, joonis 11). **Ärge pöörake ega pingutage.**
4. Eemaldage õlivarras ja kontrollige õlitaset. Õige õlitase on mõõtevarra täis-taseme tähise ülal servas (B, joonis 11).
5. Paigaldage mõõtevarras tagasi ja keerake kinni (A, joonis 11).
6. Ühendage süüteküünla juhe (D, joonis 10) süüteküünlaga (E).

Reduktiõli vahetus

Vt joonist 12, 13

6:1 reductor (joonis 12)

Kui teie mootoril on 6:1 reductorisõlm, toimige järgmiselt.

1. Eemaldage õli täitekork (A, joonis 12) ja õlitaseme kork (B).
2. Eemaldage õli väljalaskekork (C, joonis 12) ja laske õli sobivasse mahutisse.
3. Paigaldage õli väljalaskekork (C, joonis 12) tagasi ja keerake kinni.
4. Taastäitmiseks valage aeglaselt ülekandemääret (vt jaotist **Tehnilised andmed**) õli täitevasse (D, joonis 12). Valage seni, kuni õlitaseme avast (E) hakkab õli välja jooksma.
5. Paigaldage õlitaseme kork (B, joonis 12) tagasi ja keerake kinni.
6. Paigaldage õli täitekork (A, joonis 12) tagasi ja keerake kinni.

Märkus. Õli täitekorgil (A, joonis 12) on tuulutusava (F) ning see tuleb paigaldada käigukasti karteri peale, nagu näidatud.

2:1 reductor (joonis 13)

2:1 reductori (G, joonis 13) õli pole vaja vahetada.

Hooldage õhufiltrit

Vt joonist 14, 15, 16



HOIATUS

Bensiin ja selle aurud on väga tule- ja plahvatusohtlikud.

Süttimine või plahvatus võib põhjustada raskeid põletushaavu või surma.

- Ärge käivitage ega käitage mootorit, kui õhupuhassti koost (kui olemas) või õhufilter (kui olemas) on eemaldatud.

MÄRKUS Ärge kasutage filtri puhastamiseks suruõhku ega lahusteid. Suruõhk võib filtrit kahjustada ja lahustid lagundavad seda.

Hooldusjuhised on esitatud **hoolduskavas**.

Mitmes mudelis on kasutusel kas vaht- või paberfilter. Mõned mudelid on varustatud ka eelpuhastiga, mida on võimalik pesta ja uuesti kasutada. Võrreldes kasutusjuhendi jooniseid oma mootorile paigaldatud tüübiga ja hooldage sellele vastavalt.

Vahtelemendiga õhufilter

1. Vabastage sulgur(id) (A, joonis 14).
2. Eemaldage kate (A, joonis 14).

3. Eemaldage sulgur (D, joonis 14) ja seib (E).
4. Et vältida prahi kukkumist karburaatorisse, eemaldage ettevaatlikult õhufiltri aluselt (G) vahtelemend (C, joonis 14).
5. Eemaldage vahtelemendi (C) küljest tugivõru (F, joonis 14).
6. Peske vahtelementi (C, joonis 14) puhastusvedeliku ja veega. Kuivatage vahtelemend puhta lapiga.
7. Küllastage vahtelemend (C, joonis 14) puhta mootoriõliga. Üleliigse mootoriõli eemaldamiseks pühkige vahtelementi puhta lapiga.
8. Sisestage vahtelementi (C) tugivõru (F, joonis 14).
9. Paigaldage vahtelemend (C, joonis 14) õhufiltri alusele (G) ning sõrmele (H). Veenduge, et vahtelemend on korralikult õhufiltri aluse küljes. Kinnitage seibiga (E) ja sulguriga (D).
10. Paigaldage kaas (B, joonis 14) ja kinnitage sulguri(te)ga (A). Veenduge, et sulgur(id) on tihedalt kinni.

Õhufilter, paber

1. Vabastage sulgur(id) (A, joonis 15).
2. Eemaldage kate (A, joonis 15).
3. Eemaldage sulgur (E, joonis 15).
4. Et vältida prahi kukkumist karburaatorisse, eemaldage ettevaatlikult õhufiltri aluselt (F) eelpuhasti (D, joonis 15, kui see on olemas) ja filter (C).
5. Mustuse eemaldamiseks koputage filtrit (C, joonis 15) kergelt kõva pinna vastu. Kui filter on väga määrdunud, vahetage see välja.
6. Eemaldage filtri (C) küljest eelpuhasti (D, joonis 15, kui see on olemas).
7. Peske eelpuhastit (D, joonis 15) puhastusvedeliku ja veega. Laske eelpuhastil õhu käes korralikult kuivada. **Ärge** õlitage eelpuhastit.
8. Paigaldage kuiv eelpuhasti (D, joonis 15, kui see on olemas) filtrile (C).
9. Paigaldage tihendusseib (H, joonis 15), filter (C) ja eelpuhasti (D, kui see on olemas) õhufiltri alusele (F) ja sõrmele (G). Veenduge, et filter on korralikult õhufiltri aluse küljes. Kinnitage sulguriga (E).
10. Paigaldage kaas (B, joonis 15) ja kinnitage sulguri(te)ga (A). Veenduge, et sulgur(id) on tihedalt kinni.

Paberist õhufilter

1. Vabastage sulgur(id) (D, joonis 16).
2. Eemaldage kate (A, joonis 16).
3. Eemaldage eelpuhasti (C, joonis 16), kui see on olemas, ja filter (B).
4. Mustuse eemaldamiseks koputage filtrit (B, joonis 16) kergelt vastu kõva pinda. Kui filter on väga määrdunud, vahetage see välja.
5. Peske eelpuhastit (C, joonis 16), kui see on olemas, vedela pesuvahendi ja veega. Laske eelpuhastil õhu käes korralikult kuivada. **Ärge** õlitage eelpuhastit.
6. Paigaldage kuiv eelpuhasti (C, joonis 16), kui see on olemas, ja filter (B).
7. Paigaldage kate (A, joonis 16) ja fikseerige sulguri(te)ga (D). Veenduge, et sulgur(id) on tihedalt kinni.

Kütusesüsteemi hooldus

Vt joonist: 17, 18



HOIATUS

Bensiin ja bensiinaurud on väga tule- ja plahvatusohtlikud.

Süttimine või plahvatus võib põhjustada raskeid põletushaavu või surma.

- Hoidke kütus eemal sädemetest, lahtisest leegist, süüteleegist, kuumusest ning teistest süüteallikatest.
- Kütusetorusid, paaki, korki ning toruliitmikke kontrollige sageli pragude ja lekete suhtes. Vajaduse korral asendage need.
- Enne kütusefiltri puhastamist või väljavahetamist tühjendage kütusepaak või sulgege kütuse sulgeklapp.
- Kütuse väljaloksumise korral oodake, kuni see on aurustunud, enne kui käivitate mootori.
- Varuosad peavad olema samasugused ja need tuleb paigaldada samasse asendisse kui originaalosad.

Kütusefilter, kui on varustatud

1. Enne kütusefiltri (A, joonis 17) puhastamist või väljavahetamist tühjendage kütusepaak või sulgege kütuse sulgeklapp. Vastasel juhul võib kütus lekkida ja põhjustada tulekahju või plahvatus.
2. Kasutage klambrite (C) sakkide (B, joonis 17) kokkusurumiseks näpitsaid; seejärel libistage klambriid kütusefiltrist (A) eemale Keerake ja tõmmake kütusevoolikud (D) kütusefiltrist eemale.
3. Kontrollige kütusevoolikuid (D, joonis 17) pragude ja lekete suhtes. Vajaduse korral asendage defektsed osad.
4. Kasutage kütusefiltri (A, joonis 17) vahetusfiltrina originaalfiltrit.
5. Kinnitage kütusevoolikud (D, joonis 17) klambritega (C), nagu on joonisel näidatud.

Kütusesõel, kui on olemas

1. Eemaldage kütusekork (A, joonis 18).
2. Eemaldage kütusesõel (B, joonis 18).
3. Kui kütusesõel on määrdunud, siis puhastage see või vahetage välja. Kütusesõela vahetades kasutage kindlasti originaalvaruosa.

Jahutussüsteemi hooldus



HOIATUS

Mootori töötamine tekitab soojust. Mootori osad, eriti summuti, muutuvad eriti kuumaks.

Nende puudutamine võib kaasa tuua raskeid põletushaavu.

Põlevad jäägid, näiteks puulehed, rohulibled, kõrred jms võivad süttida.

- Laske summutil, mootori silindril ning ribidel enne nende katsumist jahtuda.
- Eemaldage kogunenud prügi summuti ning mootorisilindri piirkonnast.

MÄRKUS Ärge kasutage mootori puhastamiseks vett. Vesi võib kahjustada kütusesüsteemi. Kasutage mootori puhastamiseks harja või puhast riidetükki.

See mootor on õhkjahutusega. Mustus või praht võib õhuvoolu takistada ja mootor võib üle kuumeneda, mis omakorda tingib jõudluse vähenemist ja mootori eluea lühenemist.

1. Eemaldage mustus õhuvõtuvõre piirkonnast harja või kuiva lapiga.
2. Hoidke ühendused, vedrud ja juhtseadised puhtana.
3. Hoidke summuti ümbrus ja tagune puhas kergestisüttivaist jäätmeist.
4. Veenduge, et õli jahuti labad on tolmust ja mustusest vabad.

Aja jooksul võib prügi kuhjuda silindri jahutusribide vahele ja põhjustada mootori ülekuumenemist. Seda prügi ei saa eemaldada ilma mootori osalise lahtivõtmiseta. Laske Briggs & Strattoni volitatud edasimüüjal kontrollida ja puhastada õhkjahutussüsteemi, nagu on kirjas **Hoolduskavas**.

Hoiustamine



HOIATUS

Kütus ja selle aurud on äärmiselt kergestisüttivad ning plahvatusohtlikud.

Tulekahju või plahvatus võivad põhjustada raskeid põletusi või surma.

Kütuse või paagis oleva kütusega seadmete hoiustamisel

- Paigutage need eemale ahjudest, pliitidest, veesoojenditest või teistest seadmetest, millel on pilotleek või teised süüteallikad, sest need võivad kütuseaurusid süüdata.

Kütusesüsteem

Vt joonist 19

Hoiustamisel peab mootor jääma rõhelt (tavaline tööasend). Täitke kütusepaak (A, joonis 19) kütusega. Kütuse paisumise lubamiseks, ärge täitke kütusepaagi kaela alumisest servast kõrgemale (B).

Kütus võib aeguda, kui seda säilitatakse üle 30 päeva. Aegunud kütus põhjustab happe- ja vaigujääkide ladestumist kütusesüsteemi või olulistele karburaatori osadele. Kütuse värskena hoidmiseks kasutage **Briggs & Strattoni täiustatud koostisega kütusestabilisaatorit**, mis on saadaval kõikjal, kus müüakse ehtsaid Briggs & Strattoni varuosi.

Kasutades kütusestabilisaatorit vastavalt juhistele, puudub vajadus mootori bensiinist tühjendamiseks. Enne hoiustamist laske mootoril kaks (2) minutit töötada, et stabilisaator kütusesüsteemis ringlema pääseks.

Kui mootoris olevale bensiinile pole kütusestabilisaatorit lisatud, tuleb kütus masinast sobivasse mahutisse välja valada. Laske mootoril töötada, kuni see kütuse lõppemisel seiskub. Värskuse tagamiseks on soovitatav kasutada kütusestabilisaatorit säilitusmahutis.

Mootoriõli

Vahetage mootoriõli siis, kui mootor on veel soe. Vt teemat **Mootoriõli vahetus**.

Tõrgete kõrvaldamine

Abi saamiseks võtke ühendust oma edasimüüjaga, vaadake **VanguardEngines.com** või helistage **1-800-999-9333** (USA).

Tehnilised andmed

Mudel: 130000	
Töömaht	12.48 ci (205 cc)
Õõs	2.688 in (68,28 mm)
Käigu pikkus	2.200 in (55,88 mm)
Õlimaht	20 - 22 oz (.59 - .65 L)
Reduktiõli tüüp	80W-90
Reduktiõli kogus	4 oz (.12 L)
Süüteküünla elektroodide vahe	.030 in (.76 mm)
Süüteküünla jõumoment	180 lb-in (20 Nm)
Süütemagneeto õhupilu	.010 - .014 in (.25 - .36 mm)
Sisselaskeklapi vahe	.004 - .006 in (.10 - .15 mm)
Väljalaskeklapi vahe	.009 - .011 in (.23 - .28 mm)

Mudel: 190000	
Töömaht	18.63 ci (305 cc)
Õõs	3.120 in (79,24 mm)
Käigu pikkus	2.438 in (61,93 mm)
Õlimaht	26 - 28 oz (.77 - .83 L)
Reduktiõli tüüp	SAE 30
Reduktiõli kogus	12 oz (.35 L)
Süüteküünla elektroodide vahe	.030 in (.76 mm)
Süüteküünla jõumoment	180 lb-in (20 Nm)
Süütemagneeto õhupilu	.010 - .014 in (.25 - .36 mm)
Sisselaskeklapi vahe	.004 - .006 in (.10 - .15 mm)
Väljalaskeklapi vahe	.004 - .006 in (.10 - .15 mm)

Mootori võimsus väheneb 3,5% iga 300 meetri kohta üle merepinna ja 1% iga 5,6 °C kohta, mis on üle 25 °C. Mootor töötab rahuldavalt nurga all kuni 15°. Kallakutel töötamise ohutute kasutuspiiride leidmiseks vt seadme kasutusjuhendit.

Varuosad - mudel 130000, 190000	
Varuosa	Varuosa number
Vahtelemendiga õhufilter (mudel 130000, joonis 14)	797378
Paberist õhufilter (mudel 130000, joonis 15)	797033
Eelpuhasti (mudel 130000, joonis 15)	798513
Paberist õhufilter (mudel 190000, joonis 15)	797032
Eelpuhasti (mudel 190000, joonis 15)	798795
Paberist õhufilter (joonis 16)	474279
Eelpuhasti (joonis 16)	491435S
Advanced Formula kütusestabilisaator	100117, 100120
Takistiga süüteküünal	491055
Süüteküünla võti	19576, 5402

Varuosad - mudel 130000, 190000

Süüretester

19368

Soovitame mootori ja selle osade mis tahes hoolduseks pöörduda Briggs & Strattoni volitatud edasimüüja poole.

Võimsusklassid: Individuaalsete bensiinimootorite koguvõimsuse klass on tähistatud SAE (Society of Automotive Engineers) standardi J1940 (väikemootorite võimsuse ja pöördemomendi hindamise protseduur) ja määratud SAE standardi J1995 alusel. Pöördemomendiväärtused on tuletatud 2600 p/min juures nende mootorite puhul, mille sildil on „rpm” ja 3060 p/min kõigi teiste puhul, väärtused hobujõududes on tuletatud 3600 p/min juures. Võimsuskõverad võite leida veebilehelt www.BRIGGSandSTRATTON.COM. Tegelikku netovõimsust on mõõdetud koos väljalasketoru ja õhupuhaistiga, brutovõimsust aga mõõdetakse ilma nende seadisteta. Mootori tegelik koguvõimsus on suurem kui netovõimsus ja sõltub muu hulgas keskkonnatingimustest ning mootorite individuaalsetest erinevustest. Arvestades laia tooteskaalat, milles mootoreid kasutatakse, ei pruugi gaasimootor saavutada märgitud brutovõimsust konkreetses seadmes. See erinevus tuleneb mitmest tegurist, k.a. mitmesugused mootori osad (õhupuhaist, väljalaskesüsteem, laadimine, jahutus, karburaator, kütusepump jne), kasutuspiirangud, keskkonnatingimused (temperatuur, niiskus, kõrgus) ning mootorite individuaalsed erinevused. Tootmis- ja mahupiirangute tõttu võib Briggs & Stratton asendada kõrgema nimivõimsusega mootori selle seeria mootoriga.

Garantii

Briggs & Strattoni mootori garantii

Jõustub jaanuaris 2017

Piiratud garantii

Briggs & Stratton garanteerib allpool määratletud garantiiperioodi jooksul mis tahes osa, millel on materjali- või tootmisdefekt või mõlemad, tasuta paranduse või asenduse. Parandamiseks või asendamiseks saadatud toote transportikulu tasub ostja. Käesolev garantii kehtib allpool nimetatud ajaperioodil ja tingimustel. Garantiiteeninduse saamiseks leidke lähim volitatud hooldustöökoda, kasutades meie edasimüüjate kaarti aadressil BRIGGSandSTRATTON.COM. Ostja peab võtma ühendust volitatud hooldustöökojaga ja andma seejärel toote volitatud hooldustöökojale selle kontrollimiseks ja testimiseks.

Käesolev garantii on ainus selgesõnaline garantii. Kaudsed garantiid, kaasa arvatud need, mis puudutavad turustatavust ja konkreetseks otstarbeks sobivust, kehtivad allpool nimetatud garantiiperioodi jooksul või seadusega lubatud ulatuses. Vastutus ettenägematute või kaudsete kahjude eest on välistatud seadusega lubatud ulatuses. Mõned riigid ei luba piiranguid ei luba piiranguid kaudse garantii kehtivusajale ning mõned riigid ei luba juhuslike või kaudsete kahjude välistamist või piiramist, mistõttu ei pruugi eespool nimetatud piirang või välistamine teile kehtida. See garantii annab teile konkreetseid juriidilisi õigusi ja teil võib olla ka muid õigusi olenevalt osariigist või riigist.

4.

Standardised garantiitingimused 1, 2, 3

Kaubamärgi/toote nimi	Erakasutus	Kommertskasutus
Vanguard™; Commercial Series	36 kuud	36 kuud
Mootorid, millel on Dura-Bore™ malmist muhv	24 kuud	12 kuud
Kõik muud mootorid	24 kuud	3 kuud

¹ Need on meie üldised garantiitingimused, kuid vahel võivad lisanduda täiendavad garantiid, mis ei olnud juhendi ilmumise ajal määratletud. Oma mootori garantiitingimused leiate veebisaidilt BRIGGSandSTRATTON.com. Teise võimalusena pöörduge kohaliku Briggs & Strattoni volitatud hooldustöökoja poole.

² Garantii ei kehti mootoritele, mida kasutatakse primaarenergia saamiseks kasutuskohas või äriotstarbeks mõeldud turvageneraatorites. Võistlustel, tööstuslikel või renditud võistlusradadel kasutatavatele mootoritele garantii puudub.

³ Turvageneraatoritele paigaldatud Vanguard : tavatarbija kasutuses 24 kuud, ärikasutuses garantiid ei ole. Tarbesõidukitele paigaldatud Vanguard: tavatarbija kasutuses 24 kuud, ärikasutuses 24 kuud. Commercial Series, mis toodeti enne 2017 juulit, tavatarbija kasutuses 24 kuud, ärikasutuses 24 kuud.

⁴ Austraalias – meie toodetel on garantiid, mida ei saa Austraalia tarbijaõiguse kohaselt välistada. Teil on õigus asendusele või raha tagasimaksule suure rike korral ning kompensatsioonile mis tahes muude mõistlikult prognoositavate kadude või kahjude korral. Samuti on teil õigus toodete parandamisele või asendamisele, kui toodete kvaliteet ei ole vastuvõetaval tasemel ja rike ei ole suur.

Garantiinhoolduseks pöörduge lähima volitatud hooldustöökoja poole, kasutades meie edasimüüjate asukoha leidmise kaarti aadressil BRIGGSandSTRATTON.com või helistades numbril 1300 274 447 või saates e-kirja aadressil salesenquiries@briggsandstratton.com.au, Briggs & Stratton Australia Pty Ltd, 1 Moorebank Avenue, Moorebank, NSW, Austraalia, 2170.

Garantiiperiood algab esimese jaetarbija või kommertskasutaja ostu sooritamise kuupäevast. „Tarbijakasutus” tähendab isiklikku kasutamist kodumajapidamises jaetarbija poolt. „Ärieesmärgil kasutamine” tähendab kõiki teisi kasutusi, kaasa arvatud äriisese, tulu saamise või rentimise eesmärgil kasutamist. Kui mootorit on kasutatud mõnel perioodil

kommertseesmärkidel, siis loetakse seda mootorit selle garantii mõttes ärikasutuses olevaks mootoriks.

Hoidke ostmist tõendav tšekk alles. Kui teil puudub esmase ostmise kuupäeva tõendav dokument, siis lähtutakse garantiiteenindusel garantiiperioodi pikkuse määramisel toote valmistamiskuupäevast. Briggs & Strattoni toodetele garantiiteeninduse tagamiseks ei ole garantii registreerimine vajalik.

Teie garantiist

See garantii katab üksnes neid mootoriga seotud vigu, mille põhjuseks on kasutatud materjalid ja/või ebaõige töö, ning ei hõlma selle seadme asendamist ega hüvitamist, millesse mootor paigaldati. Garantii ei hõlma tavapärasest hooldust, häälestamist, reguleerimist ja mootori harilikku kulumist. Samuti ei kehti garantii juhul, kui mootorit on ümber tehtud või kui selle seerianumber on loetamatuks muutunud või eemaldatud. Käesolev garantii ei kehti mootori kahjustuste ja tööhäirete suhtes, mis tulenevad:

1. varuosade kasutamisest, mis ei ole originaalsed Briggs & Strattoni varuosad;
2. mootori kasutamisest õliga, mida on lisatud ebapiisavas koguses või mis on mustunud või vale kvaliteediklassiga;
3. saastunud või vana kütuse kasutamisest, bensiini kasutamisest, mis sisaldab üle 10% etanooli, või muude kütuste kasutamisest, nt vedelgaas või maagaas, mootoritel, mis pole Briggs & Strattoni poolt konstrueeritud/toodetud tööks selliste kütustega;
4. mustusest, mis on mootoris sattunud õhupuhaist ebaõige hoolduse või mootori uuesti kokkupaneku tõttu;
5. muruniiduki löiketeraga objekti tabamisest, terakohandajate, tiivikute või teiste väntvõlliile ühendatud seadiste ebaõigest paigaldusest, kiirihma liigest pingusest;
6. muude kui Briggs & Strattoni pakutavate abiosade või sõlmede, nt sidurite, jõuülekanne, seadmekontrollerite jne kasutamisest;
7. ülekuumenemisest niidetud muru, mustuse, kiviprügi või näriiliste pesade sattumise tõttu jahutusribidesse või hooratta alasse või mootori kasutamisest piisava ventilatsioonita;
8. ülemäärases vibratsioonist, mis on tingitud liigest kiirusest, mootori lahtisest paigaldusest, lahtisest või tasakaalustamata löiketeradest või tiivikutest või seadmeosade ebaõigest ühendamisest väntvõlliile;
9. väärkasutusest, regulaarse hoolduse puudumisest, tarnimisest, käsitsemisest, seadmete ladustamisest või mootori ebaõigest paigaldamisest.

Garantiinhooldust teostavad ainult ettevõtte Briggs & Stratton volitatud hooldustöökodad. Leidke lähim volitatud hooldustöökoda meie edasimüüjate kaardilt aadressil BRIGGSandSTRATTON.COM või helistades numbrile 1 800 223 3723 (USA).

80004537 (Red. C)

Ovaj priručnik sadrži sigurnosne obavijesti koje vas moraju učiniti svjesnima opasnosti vezanih uz motore i uz načine izbjegavanja tih opasnosti. Ovdje se također nalaze upute o tome kako na pravilan način koristiti i održavati motor. Budući da Briggs & Stratton ne mora znati koji stroj će se pogoniti ovim motorom, važno je da pročitate i shvatite ove upute i upute koje se odnose na stroj koji će biti pogonjen ovim motorom. **Spremite originalne upute radi budućih potreba.**

Napomena: Slike, ilustracije i piktogrami u ovom priručniku služe samo kao referenca i mogu se razlikovati na pojedinim modelima. Ako imate pitanja, obratite se predstavniku.

Radi zamjenskih dijelova ili tehničke pomoći, zapišite dolje model motora, vrstu i kodne brojeve zajedno s datumom kupnje. Ovi brojevi se nalaze na vašem motoru (pogledajte poglavlje **Funkcije i upravljanje**).

Datum kupnje	
Model - Vrsta - Podešavanje	
Serijski broj motora	

Potražite 2D crtični kod koji se nalazi na nekim motorima. Kada se pregledava s uređajem koji može očitavati 2D kodove, na kodu će se vidjeti mrežna stranica na kojoj možete pristupiti podacima o ovom proizvodu. Promet podataka se naplaćuje. Za neke zemlje nisu dostupni podaci za podršku na mreži.



Podaci o recikliranju

		Sva ambalaža, uključujući staro ulje i baterije moraju se reciklirati u skladu s važećim državnim propisima.
--	--	--

Sigurnost rukovatelja

Simbol sigurnosnog upozorenja i signalne riječi

Sigurnosni simbol upozorenja upotrebljava se za utvrđivanje sigurnosnih informacija o opasnostima koje mogu prouzročiti ozljede osoba. Signalna riječ (OPASNOST, UPOZORENJE ili OPREZ) upotrebljava se sa simbolom upozorenja da označi vjerojatnost i moguću težinu ozljede. Osim toga, simbol opasnosti može se upotrijebiti da označi vrstu opasnosti.

OPASNOST označava opasnost koja će, u slučaju da se ne izbjegne, **izazvati smrt ili tešku ozljedu**.

UPOZORENJE označava opasnost koja može, u slučaju da se ne izbjegne, **izazvati smrt ili tešku ozljedu**.

OPREZ označava opasnost koja može, u slučaju da se ne izbjegne, **izazvati laku ili srednje tešku ozljedu**.

NAPOMENA označava situaciju koja **može izazvati oštećenje proizvoda**.

Simboli opasnosti sa značenjem

Simbol	Značenje	Simbol	Značenje
	Sigurnosni podaci o opasnostima koja mogu dovesti do tjelesne ozljede.		Pročitajte i proučite priručnik za rukovanje prije upotrebe ili servisiranja uređaja.

Simbol	Značenje	Simbol	Značenje
	Opasnost od požara		Opasnost od eksplozije
	Opasnost od udara		Opasnost od otrovnog dima
	Opasnost od vruće površine		Opasnost od buke - pri dužem radu preporučuje se upotreba zaštite sluha.
	Opasnost od odbacivanja predmeta - nosite zaštitu za oči.		Opasnost od eksplozije
	Opasnost od smrzotina		Opasnost od povratnog udarca
	Opasnost od amputacije - pokretni dijelovi		Opasnost od kemijskih sredstava
	Opasnost od ozljeda djelovanjem topline		Korozivno

Sigurnosne poruke

UPOZORENJE

Neki dijelovi ovog proizvoda i pripadajuće dodatne opreme sadrže kemikalije poznate u državi Kaliforniji kao uzrok karcinoma, urođenih mana i drugih oštećenja reproduktivnih organa. Nakon rukovanja operite ruke.

UPOZORENJE

Ispušna cijev motora na ovom stroju sadrži kemikalije poznate u državi Kaliforniji kao uzrok karcinoma, urođenih mana i drugih oštećenja reproduktivnih organa.

UPOZORENJE

Motorni tvrtke Briggs & Stratton nisu namijenjeni za i ne smiju se koristiti kao pogon kod: fun-kart i go-kart karting vozila; dječjih, rekreacijskih ili sportskih ATV vozila; motorbicikla; lebdjelica; zrakoplova ili vozila koja se koriste u natjecanjima za koja tvrtka Briggs & Stratton nije dala odobrenje. Više pojedinosti o proizvodima za natjecateljsku vožnju potražite na www.briggsracing.com. U vezi upotrebe na pomoćnim i paralelnim ATV vozilima kontaktirajte Centar za primjenu motora tvrtke Briggs & Stratton na broj 1-866-927-3349. Neprimjeren upotreba motora može uzrokovati ozbiljne ozljede ili smrt.

UPOZORENJE
Gorivo i njegove pare izuzetno su zapaljivi i eksplozivni.

Požar ili eksplozija mogu izazvati teške opekline ili smrt.

Prilikom nadolijevanja goriva

- Isključite motor i pustite da se ohladi barem 2 minuta prije skidanja čepa spremnika za gorivo.
- Spremnik za gorivo napunite na otvorenom ili u dobro prozračenom prostoru.
- Nemojte prenapuniti spremnik. Kako bi se omogućila ekspanzija goriva ne puniti spremnik iznad donjeg dijela vrha spremnika za gorivo.
- Gorivo držite podalje od iskri, otvorenog plamena, inicijalizacijskih plamčaka, topline ili drugih izvora zapaljenja.

- Često provjeravajte cijevi za gorivo, spremnik i čep spremnika za goriva i njihove dijelove te utvrdite postoje li napukline ili curenje. Zamijenite ih ako je potrebno.
- Ako se gorivo prolje, pričekajte dok ne ispari prije pokretanja motora.

Prilikom pokretanja motora

- Pazite na to da svječica, prigušivač, čep goriva i filter za zrak (ako je ugrađen) budu na svome mjestu i učvršćeni.
- Nemojte pokretati motor s uklonjenom svjećicom.
- Ako je motor zaliven gorivom, postavite čok (ako je ugrađen) u položaj OTVORENO/RAD, pomaknite gas (ako je ugrađen) u položaj BRZO i okretanjem pokrenite motor.

Prilikom rukovanja opremom

- Ne naginjte motor ili opremu pod kutom koji može izazvati prolijevanje goriva.
- Ne pokušavajte zaustaviti motor prigušivanjem rasplinjača.
- Nikad ne pokrećite niti koristite motor kada je uklonjen sklop pročišćavača zraka (ako postoji) ili filter za zrak (ako postoji).

Prilikom zamjene ulja

- Ako ulje ispuštate kroz gornju cijev za nalijevanje ulja, spremnik s gorivom mora biti prazan ili bi gorivo moglo istjecati te dovesti do požara ili eksplozije.

Prilikom naginjanja uređaja radi održavanja

- Prilikom obavljanja održavanja kada je potrebno nagnuti stroj, spremnik za gorivo, ako je postavljen na motor, mora se isprazniti jer se gorivo može izliti što može izazvati požar ili eksploziju.

Prilikom prijevoza opreme

- Opremu prevozite s PRAZNIIM spremnikom za gorivo ili ventil za zatvaranje dovoda goriva podesite na ZATVORENO.

Prilikom skladištenja goriva ili uređaja s gorivom u spremniku

- Pohranite daleko od peći, kuhala, grijača vode ili drugih uređaja koji imaju inicijalizacijske plamičke ili druge izvore paljenja jer oni mogu zapaliti pare goriva.



UPOZORENJE

Pokretanje motora uzrokuje iskrenje.

Iskre mogu zapaliti zapaljive plinove u okruženju.

To može rezultirati eksplozijom i požarom.

- Ako u blizini istječe prirodni ili LP plin, ne pokrećite motor.
- Ne koristite tekućine za pokretanje pod tlakom jer su njihove pare zapaljive.



UPOZORENJE

OPASNOST OD OTROVNOG PLINA. Ispušni plinovi motora sadrže otrovni ugljični monoksid, otrovni plin koji vas može usmrtniti za nekoliko minuta. To je plin BEZ boje, mirisa i okusa. Čak i ako ne udišete ispušne plinove, ipak možete biti izloženi ugljičnom monoksidu. Ako počnete osjećati mučninu, vrtoglavicu ili slabost kada koristite ovaj proizvod, ODMAH izađite na svjež zrak. Odmah potražite liječničku pomoć. Možda ste udahnuili ugljični monoksid.

- Ovim proizvodom rukujte ISKLJUČIVO na otvorenom daleko od prozora, vrata i ventilacijskih otvora jer ćete time smanjiti opasnost od nakupljanja ugljičnog monoksida i mogućnosti da dođe do njegovog uvlačenja u prostor u kojemu borave ljudi.
- Montirajte alarmne uređaje za ugljični monoksid s baterijskim napajanjem ili ukopčajte alarmne uređaje za ugljični monoksid s rezervnim baterijskim napajanjem sukladno s uputama proizvođača. Detektori dima ne mogu otkriti prisutnost ugljičnog monoksida.
- NEMOJTE koristiti ovaj proizvod u kućama, garažama, podrumima, skućenim prostorima, ostavama ili drugim djelomično zatvorenim prostorima, čak i ako koristite ventilatore ili držite vrata i prozore otvorenima radi ventilacije. Ugljični monoksid može se brzo nakupiti u takvim prostorima i tamo se zadržati satima, čak i nakon gašenja proizvoda.
- Proizvod UVIJEK postavljajte niz vjetar i usmjerite ispuh motora dalje od mjesta u kojemu borave ljudi.



UPOZORENJE

Brzo vraćanje konopa za pokretanje (povratni udarac) povući će šaku i ruku prema motoru brže no što ga možete ispustiti.

To može izazvati lom kostiju, frakture, modrice ili iščašenja.

- Prilikom pokretanja motora lagano povucite konop za pokretanje dok ne osjetite otpor i zatim naglo povucite da izbjegnute povratni udar.
- Uklonite sva vanjska opterećenja opreme/motora prije pokretanja motora.
- Izravno spojeni dijelovi opreme poput, ali ne i isključivo, oštrica noževa, krilaca, remenica, lančanika, itd. moraju biti dobro pričvršćeni.



UPOZORENJE

Rotirajući dijelovi mogu dodirnuti ili zahvatiti ruke, stopala, kosu, odjeću ili nakit.

Može doći do traumatske amputacije ili teških razderotina.

- Opremu koristite samo ako su štitnici postavljeni na njihovo mjesto.
- Ruke i noge držite podalje od rotirajućih dijelova.
- Zavežite dugu kosu i skinite nakit.
- Ne odijevajte široku odjeću, pazite na vezice i ostale odjevne predmete koje stroj može zahvatiti.



UPOZORENJE

Rad motora proizvodi toplinu. Dijelovi motora, posebno prigušivač, postaju iznimno topli.

U slučaju dodira možete zadobiti teške opekline.

Zapaljivi ostaci, poput lišća, trave, grmlja i sl. mogu se zapaliti.

- Prije dodirivanja pričekajte da se ohlade prigušivač, cilindar motora i rebra motora.
- Uklonite ostatke s područja prigušivača i cilindra.
- Uporaba ili rukovanje motorom na bilo kojem zemljištu prekrivenom šumom, grmljem ili travom smatra se kršenjem Kalifornijskog zakona o javnim resursima dio 4442 (California Public Resource Code Section 4442), osim ako ispušni sustav nije opremljen hvatačem iskri kao što je to definirano u dijelu 4442 gornjeg zakona, koji treba održavati u dobrom radnom stanju. Druge države ili federalna zakonodavstva mogu imati slične zakone. Kontaktirajte proizvođača originalne opreme, trgovca ili zastupnika i pribavite hvatač iskri osmišljen za ispušni sustav postavljen na ovom motoru.



UPOZORENJE

Nenamjerno iskrenje može rezultirati požarom ili strujnim udarom.

Nehotično pokretanje može rezultirati zahvaćanjem, traumatičnim amputacijama ili razderotinama.

Opasnost od požara

Prije podešavanja ili popravljaja:

- Odspojite žicu svječice i držite je podalje od same svječice.
- Odspojite akumulator na negativnom priključku (samo za motore s električnim paljenjem)
- Koristite samo ispravne alate.
- Ne dirajte opruge regulatora, veze ili druge dijelove radi povećanja brzine motora.
- Zamjenski dijelovi moraju biti jednakog dizajna kao izvorni i moraju se postaviti na isto mjesto kao i izvorni dijelovi. Ostali dijelovi možda neće raditi jednako dobro, mogu oštetiti stroj i izazvati ozljede.
- Ne udarajte po zamašnjaku čekićem ili tvrdim predmetima jer se zbog toga zamašnjak može smrskati za vrijeme rada.

Prilikom ispitivanja svječice:

- Koristite odobreni ispitivač svječica.
- Ne provjeravajte ima li iskrenja kada je svječica uklonjena.

Značajke i komande

Upravljanje motorom

Uporedite sliku (slika: 1, 2, 3, 4) s vašim motorom kako biste se upoznali s položajem različitih funkcija i upravljanja.

- A. Prepoznavanje motora **Model - Vrsta - Kod**
- B. Svjećica
- C. Spremnik s gorivom i čep
- D. Zračni filtar
- E. Ručka užeta pokretača
- F. Otvor za ulijevanje ulja i mjerna šipka
- G. Čep za ispuštanje ulja
- H. Prigušivač, štitnik prigušivača (ako je ugrađen), hvatač iskre (ako je ugrađen)
- I. Regulator čoka
- J. Regulator gasa (ako je ugrađen)
- K. TransportGuard™ - ručica za dovod goriva i paljenje
- L. Rešetka na usisu zraka
- M. Reduktorska jedinica (ako je ugrađena)
- N. Sklopka za zaustavljanje (ako je ugrađena)
- O. Sklopka elektropokretača (ako je ugrađena) ¹

¹ Neki motori i oprema imaju daljinsko upravljanje. Lokaciju daljinskog upravljanja potražite u priručniku opreme.

Simboli upravljanja motorom i njihovo značenje

Simbol	Značenje	Simbol	Značenje
	Brzina vrtnje motora - VISOKA		Brzina vrtnje motora - NISKA
	Brzina vrtnje motora - ZAUSTAVLJEN		Uključeno - Isključeno
	Pokretanje motora - čok ZATVOREN		Pokretanje motora - čok OTVOREN
	Čep za gorivo Ventil za dovod goriva - OTVOREN		Ventil za dovod goriva - ZATVOREN
	Razina goriva - maksimalno Nemojte prepunjavati		

Rukovanje strojem

Preporučena ulja

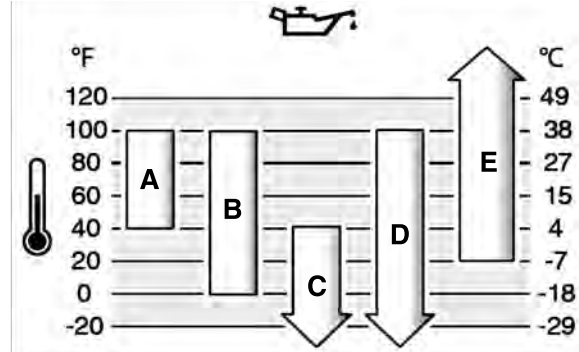
Kapacitet spremnika ulja: Pogledajte odjeljak *Tehnički podaci*.

OPASKA

Ovaj se motor iz tvrtke Briggs & Stratton isporučuje bez ulja. Moguće je da su proizvođači uređaja ili prodajni zastupnici dodali ulje u motor. Prije pokretanja motora pobrinite se da provjerite razinu ulja u motoru i dolijete ulje u skladu s uputama u ovom priručniku. Ako motor pokrenete bez ulja, doći će do oštećenja koje nije moguće popraviti i to nije obuhvaćeno jamstvom.

Za postizanje najboljeg radnog učinka preporučujemo uporabu jamstveno potvrđenih ulja tvrtke Briggs & Stratton. Druga visokokvalitetna motorna ulja s aditivima deterdženta su prihvatljiva ako su klasificirana za SF, SG, SH, SJ ili višu namjenu. Ne koristite posebne aditive.

Vanjska temperatura određuju točnu viskoznost ulja za motor. Za odabir najbolje viskoznosti u skladu s očekivanim rasponom vanjske temperature koristite grafikon. Motori za većinu opreme za vanjsku primjenu uredno rade sa sintetičkim uljem 5W-30. Za opremu koja se koristi na visokim temperaturama, najbolju zaštitu pruža sintetičko ulje Vanguard™ 15W-50.



A	SAE 30 - Ispod 40 ° F (4 ° C) upotreba ulja SAE 30 će izazvati teškoće s pokretanjem.
B	10W-30 - Iznad 80 ° F (27 ° C) upotreba ulja 10W-30 može dovesti do povećane potrošnje ulja. Često provjeravajte razinu ulja.
C	5W-30
D	Sintetičko ulje 5W-30
E	Vanguard™ sintetičko ulje 15W-50

Provjera razine ulja

Pogledajte sliku 5

Prije provjere ili dolijevanja ulja

- Pazite da motor bude u vodoravnom položaju.
- Iz područja za ulijevanje ulja očistite sve nečistoće.

1. Izvadite mjernu šipku (A, slika 5) i obrišite je čistom krpom.
2. Vratite mjernu šipku (A, slika 5). **Nemojte okretati ili stezati.**
3. Izvadite mjernu šipku i provjerite razinu ulja. Propisana razina ulja nalazi se na gornjem dijelu indikatora napunjenosti (B, slika 5) na mjernoj šipki.
4. Ako je razina ulja niska, polako dolijevajte ulje u otvor za ulijevanje ulja na motoru (C, slika 5). Nalijevajte do točke preljevanja.
5. Vratite i stegnite mjernu šipku (A, slika 5).

Sustav za zaštitu od niske razine ulja (ako je ugrađen)

Neki motori opremljeni su senzorom niske razine ulja. Ako je razina ulja niska, senzor će aktivirati svjetlo upozorenja ili zaustaviti rad motora. Zaustavite rad motora i provedite sljedeći postupak prije ponovnog pokretanja motora.

- Pazite da motor bude u vodoravnom položaju.
- Provjerite razinu ulja Pogledajte odjeljak *Provjera razine ulja*.
- Ako je razina ulja niska, dolijte propisanu količinu ulja. Pokrenite motor i provjerite da se svjetlosno upozorenje (ako je ugrađeno) nije aktiviralo.
- Ako razina ulja nije niska, ne pokrećite rad motora. Obratite se ovlaštenom serviseru tvrtke Briggs & Stratton kako biste riješili problem s uljem.

Preporuke u vezi goriva

Gorivo mora zadovoljiti ove zahtjeve:

- Čist, svjež bezolovni benzin.
- Najmanje 87 oktana/87 AKI (91 RON). Za visoke nadmorske visine vidi u nastavku.
- Prihvatljiv je benzin s 10% etanola (gazohol).

OPASKA Ne upotrebljavajte neodobrene benzine, primjerice, E15 i E85. Ne miješajte ulje i benzin i ne prepravljajte motor kako bi radio na neka druga goriva. 1Upotreba neodobrenog goriva će dovesti do oštećenja dijelova motora, koji nisu obuhvaćeni jamstvom.

Da biste zaštitili sustav od formiranja gume, u gorivo umiješajte stabilizator goriva. Pogledajte **Skladištenje**. Sva goriva nisu jednaka. Ako se javi problemi s pokretanjem ili radom, promijenite dobavljača ili marku goriva. Ovaj motor određen je za rad sa benzinom. Sustav kontrole ispuštanja za ovaj motor je EM (Engine Modifications (Izmjene na motoru)).

Velika nadmorska visina

Na nadmorskim visinama višima od 5000 stopa (1524 metara), prihvatljiv je benzin od minimalno 85 oktana/85 AKI (89 RON).

Na motorima s rasplinjačem, za održavanje radnih svojstava potrebno je izvršiti prilagodbu za veliku nadmorsku visinu. Rad bez podešavanja uzrokovat će lošiju kvalitetu rada, povećanu potrošnju goriva i pojačane emisije. Podatke o podešavanju za veliku nadmorsku visinu potražite kod ovlaštenog predstavnika Briggs & Stratton. Na nadmorskim visinama nižima od 2500 stopa (762 metra) ne preporučuje se rad s podešavanjima za visoke nadmorske visine.

Za motore s elektroničkim ubrizgavanjem goriva (EFI), podešavanje za velike nadmorske visine nije potrebno.

Dolijevanje goriva

Pogledajte sliku 6



UPOZORENJE

Gorivo i njegove pare izuzetno su zapaljivi i eksplozivni.

Požar ili eksplozija mogu izazvati ozbiljne opekline ili smrt.

Prilikom dolijevanja goriva

- Ugasite motor i pustite da se hladi bar 2 minute prije skidanja poklopca goriva.
 - Puniti spremnik goriva na otvorenom ili u dobro ventiliranom prostoru.
 - Nemojte prelići spremnik goriva. Da omogućite širenje goriva, nemojte ga puniti dalje od dna grla spremnika goriva.
 - Benzin držite podalje od iskrenja, otvorenog plamena, inicijalizacijskih plamičaka, vrućine i drugih izvora zapaljenja.
 - Provjeravajte češće vodove goriva, spremnik, poklopac i spojeve radi napuknuća ili curenja. Zamijenite ih ako je potrebno.
 - Ako se gorivo prolje, pričekajte dok ne ishlapi prije pokretanja motora.
1. Iz područja za ulijevanje goriva odstranite svu prljavštinu i nečistoću. Skinite spremnik goriva.
 2. Spremnik za gorivo napunite s gorivom (A, slika 6). Da omogućite širenje goriva, nemojte ga puniti dalje od dna grla spremnika goriva (C).
 3. Vratite čep otvora za ulijevanje goriva.

Pokretanje i zaustavljanje rada motora

Pogledajte sliku: 7, 8

Pokretanje motora



UPOZORENJE

Brzo vraćanje konopca za pokretanje (povratni udarac) povući će šaku i ruku prema motoru brže no što ga možete ispustiti.

Može doći do loma kostiju, fraktura, modrica ili iščašenja.

- Pri pokretanju motora, lagano povucite užu pokretača sve dok ne osjetite otpor, zatim je povucite snažno i brzo da izbjegnute povratni udarac.



UPOZORENJE

Gorivo i njegove pare izuzetno su zapaljivi i eksplozivni.

Požar ili eksplozija mogu izazvati ozbiljne opekline ili smrt.

Pri pokretanju motora

- Pazite na to da svjećica, prigušivač, čep goriva i filtar za zrak (ako je montiran) budu na svome mjestu i učvršćeni.
- Nemojte pokretati motor sa skinutom svjećicom.

- Ako dođe do zalijevanja motora gorivom, postavite čok (ako postoji) u položaj OPEN ili RUN, pomaknite gas (ako postoji) u položaj FAST i okrećite motor sve dok ne upali.



UPOZORENJE

OPASNOST OD OTROVNOG PLINA. Ispušni plinovi motora sadrže otrovni ugljični monoksid, otrovni plin koji vas može usmrtniti za nekoliko minuta. On je BEZ boje, mirisa i okusa. Čak i ako ne udišete ispušne plinove, ipak možete biti izloženi ugljičnom monoksidu. Ako za vrijeme korištenja ovog proizvoda osjetite mučninu, vrtoglavica ili slabost, ugasite ga i BEZ ODLAGANJA izađite na svjež zrak. Potražite pomoć liječnika. Možda ste udahnuili ugljični monoksid.

- Ovaj proizvod koristite ISKLJUČIVO na velikoj udaljenosti od prozora, vrata i ventilacijskih otvora jer time ćete smanjiti opasnost od nakupljanja ugljičnog monoksida i mogućnosti da dođe do njegovog uvlačenja u prostor u kojemu borave ljudi.
- Ugradite alarmne uređaje za ugljični monoksid s baterijskim napajanjem ili uključite alarmne uređaje za ugljični monoksid s rezervnim baterijskim napajanjem u skladnosti s uputama proizvođača. Detektori dima ne mogu otkriti prisutnost ugljičnog monoksida.
- NEMOJTE koristiti ove proizvode u kući, garaži, podrumu, niskom podrumu, skloništu ili drugom djelomično zatvorenom prostoru čak ni ako koristite ventilatore, prozore ili vrata za provjetranje prostora. Ugljični monoksid može se brzo nakupiti u takvim prostorima i tamo se zadržati satima, čak i nakon gašenja proizvoda.
- Ovaj proizvod UVIJEK postavite niz vjetar i ispuh usmjerite izvan mjesta u kojemu borave ljudi.

OPASKA Ovaj motor je iz tvrtke Briggs & Stratton isporučen bez ulja. Prije pokretanja motora pobrinite se da u motor ulijete ulje u skladu s uputama u ovom priručniku. Ako motor pokrenete bez ulja, doći će do njegova oštećenja preko granice mogućeg popravka i to nije obuhvaćeno jamstvom.

Napomena: Uređaji mogu imati daljinsko upravljanje. Lokaciju daljinskog upravljanja potražite u priručniku opreme.

1. Provjerite ulje u motoru. Pogledajte odjeljak **Provjera razine ulja**.
 2. Ako postoje, provjerite da li su upravljačke ručice uređaja deaktivirane.
 3. Prebacite ručicu za dovod goriva/paljenje (A, slika 7) ako je ugrađena, u položaj za uključivanje ili pokretanje.
 4. Pomaknite regulator gasa (B, slika 7) u položaj FAST, ako postoji. Pustite motor da radi u brzom načinu rada.
 5. Postavite regulator čoka (C, slika 7, 8) u zatvoreni položaj.
- Napomena:* Čok je obično nepotreban pri ponovnom paljenju toplog motora.
6. Postavite sklopku za zaustavljanje (E, slika 8), ako je ugrađena, u uključeni položaj.
 7. **Ručni pokretač, ako je ugrađen:** Čvrsto uhvatite ručku užeta za pokretanje (D, slika 7, 8). Dršku konopca pokretača povlačite polagano dok ne osjetite otpor, a zatim ga povucite brzo.



UPOZORENJE

Brzo vraćanje konopca za pokretanje (povratni udarac) povući će šaku i ruku prema motoru brže no što ga možete ispustiti. Može doći do loma kostiju, fraktura, modrica ili iščašenja. Pri pokretanju motora, lagano povucite užu pokretača sve dok ne osjetite otpor, zatim je povucite snažno i brzo da izbjegnute povratni udarac.

8. **Elektropokretač, ako je ugrađen** Okrenite sklopku za električno pokretanje (F, slika 8) za uključivanje ili pokretanje.

OPASKA Koristite kratke cikluse pokretanja (najviše pet sekundi) kako biste produžili radni vijek pokretača. Pričekajte jednu minutu između dva pokretanja.

9. Kad se motor zagrije, regulator čoka (C, slika 7, 8) okrenite u otvoreni položaj.

Napomena: Ako se motor ne pokrene ni nakon nekoliko pokušaja, obratite se lokalnom predstavniku ili idite na VanguardEngines.com ili zovite **1-800-999-9333** (u SAD-u).

Zaustavljanje rada motora



UPOZORENJE

Gorivo i njegove pare izuzetno su zapaljivi i eksplozivni.

Požar ili eksplozija mogu izazvati ozbiljne opekline ili smrt.

- Nemojte čokom gušiti motor da ga zaustavite.
1. **Zaustavna sklopka, ako je ugrađena:** Prebacite sklopku za zaustavljanje (E, slika 8) u položaj za zaustavljanje.
Poluga za gorivo i paljenje, ako je ugrađena: Prebacite ručicu za dovod goriva/paljenje (A, slika 7) u položaj za isključivanje ili zaustavljanje.
 2. **Elektropokretač, ako je ugrađen** Izvadite ključ. Ključ držite izvan dohvata djece.

Održavanje

OPASKA Ako se tijekom održavanja motor nagne, ako je spremnik s gorivom montiran, on mora biti prazan i strana sa svjećicom mora biti okrenuta prema gore. Ako spremnik s gorivom nije prazan i ako se motor nagne u bilo kojem drugom smjeru, to bi moglo dovesti do teškoća pri pokretanju jer će se ulje i gorivo onečistiti filter za zrak i/ili svjećicu.



UPOZORENJE

Prilikom radova na održavanju za koje je potrebno nagibanje uređaja, spremnik s gorivom mora biti prazan jer će u protivnom istjecati gorivo što može dovesti do požara ili eksplozije.

Preporučujemo vam da se obratite ovlaštenom Briggs & Stratton servisu za održavanje i servis motora i dijelova motora.

OPASKA Svi sastavni dijelovi moraju biti na svom mjestu kako bi ovaj motor radio ispravno.



UPOZORENJE



Nenamjerno iskrenje može dovesti do požara ili strujnog udara.

Nenamjerno pokretanje može dovesti do zapetljanja, traumatske amputacije ili ranjavanja.

Opasnost od požara

Prije podešavanja ili popravljaja:

- Odvojite kabel svjećice i držite ga podalje od svjećice.
- Odvojite bateriju na negativnom polu (samo za motore s električnim paljenjem).
- Koristite samo ispravne alate.
- Nemojte dirati opruge regulatora, veze ili druge dijelove radi povećavanja brzine motora.
- 1Zamjenski dijelovi moraju biti jednake izvedbe i moraju se ugraditi u istom položaju kao i originalni dijelovi. Drugi dijelovi neće raditi kako treba i mogu oštetiti jedinicu te dovesti do ozljede.
- Nemojte udarati po zamašnjaku čekićem ili tvrdim predmetima jer će to kasnije dovesti do vibracija zamašnjaka.

Kad provjeravate ima li iskre:

- Koristite odobreni ispitivač svjećica.
- NEMOJTE provjeravati iskru sa skinutom svjećicom.

Servis sustava za kontrolu emisija

Održavanje, zamjenu ili popravak uređaja i sustava za kontrolu emisije može obaviti bilo koja radionica ili osoba, a koji se bave popravcima terenskih motora. Ipak, "besplatan" servis sustava za kontrolu emisije radove mora obaviti ovlašteni serviser tvornice. Pogledajte izjave o kontroli emisije.

Plan održavanja

Nakon prvih 5 sati rada
<ul style="list-style-type: none"> • Promijenite ulje
Svakih 8 sati ili jednom dnevno
<ul style="list-style-type: none"> • Provjerite razinu ulja u motoru • Očistite područje oko prigušivača i regulatora • Očistite rešetku na usisu zraka
Svakih 25 sati ili jednom godišnje

<ul style="list-style-type: none"> • Očistite zračni filter ¹ • Očistite predfilter ¹
Svakih 50 sati ili jednom godišnje
<ul style="list-style-type: none"> • Zamjena ulja u motoru • Servisirajte ispušni sustav
Svakih 100 sati
<ul style="list-style-type: none"> • Promijenite ulje u reduktoru (ako postoji)
Jednom godišnje
<ul style="list-style-type: none"> • Zamijenite svjećicu • Zamijenite filter za zrak • Zamijenite predfilter • Servisirajte sustav za gorivo • Servisni sustav hlađenja ¹ • Provjerite zazor ventila ²

¹ U prašnjavim uvjetima ili ako u zraku ima nečistoća, čišćenje izvršite češće.

² Nije potrebno osim ako se pojave problemi u radu motora.

Rasplinjač i brzina vrtnje motora

Nikad izvodite podešavanja na rasplinjaču regulatoru brzine. Rasplinjač je tvornički već podešen za efikasan rad pod većinom uvjeta. Nemojte dirati opruge regulatora, poluže ili druge dijelove radi povećavanja brzine vrtnje motora. Ako su podešavanja ipak potrebna, obratite se ovlaštenom servisnom centru Briggs & Stratton.

OPASKA Proizvođač opreme propisuje maksimalnu brzinu vrtnje motora koji je montiran na opremi. **Nemojte prekoračivati** ovu brzinu. Ako niste sigurni kolika je maksimalna brzina vrtnje opreme ili na koju je brzinu vrtnje motor podešen u tvornici, obratite se ovlaštenom servisnom centru Briggs & Stratton radi pomoći. Kako bi se osigurao siguran i propisani rad opreme, brzinu vrtnje smije podešavati samo kvalificirani servisni tehničar.

Servisiranje svjećice

Pogledajte sliku 9

Provjerite razmak elektroda (A, slika 9) žičanim mjeracom (B) Ako je potrebno podesite razmak Postavite svjećicu i pritegnite je odgovarajućim momentom Vrijednosti razmaka elektroda i momenta pritezanja svjećice potražite u odjeljku **Tehnički podaci**.

Napomena: *U nekim područjima lokalni propisi zahtijevaju uporabu svjećice s otpornikom da bi se spriječile radio-smetnje koje nastaju pri paljenju Ako je na ovom motoru ugrađena svjećica s otpornikom, pri njezinoj zamjeni koristite istovrsnu svjećicu.

Uklanjanje ispušnog sustava



UPOZORENJE



Rad motora proizvodi toplinu. Dijelovi motora, naročito prigušivač, izuzetno se zagrijavaju.

Teške opekline mogu nastati pri dodiru.

Zapaljivi otpad poput lišća, trave, grmlja itd. može se upaliti.

- Pustite da se prigušivač, cilindri motora i rebra ohlade prije dodirivanja.
- Odstranite nakupine nečistoće iz okoline prigušivača i cilindra.
- Upotreba motora na pošumljenom terenu, terenu punom žbunja ili niskog raslinja i trave ako ispušni sustav nije opremljen hvatačem iskrni, kako je to definirano u odjeljku 4442, koji se održava u ispravnom stanju, predstavlja kršenje kodeksa o javnim resursima Kalifornije, odjeljak 4442 Druge države ili federalne jedinice mogu imati slične zakone. Kontaktirajte proizvođače originalne opreme, prodavača ili veletrgovca kako biste nabavili hvatač iskre koji je predviđen za montažu na ispušni sustav ovog motora.

Odstranite nakupine nečistoće iz okoline prigušivača i cilindra. Pregledajte da na prigušivaču (A) nema pukotina, korozije ili drugih oštećenja Skinite hvatač iskre (B), ako je ugrađen i pregledajte da nema oštećenja ili začepljenosti ugljičnim naslagama Ako otkrijete oštećenje, montirajte zamjenski dio prije pokretanja.



UPOZORENJE

1 Zamjenski dijelovi moraju biti jednake izvedbe i moraju se ugraditi u istom položaju kao i originalni dijelovi. Drugi dijelovi neće raditi kako treba i mogu oštetiti jedinicu te dovesti do ozljede.

Zamjena ulja u motoru

Pogledajte sliku: 10, 11

Iskorišteno ulje opasno je otpad i mora se odložiti na ekološki prihvatljiv način. Ne bacajte u kućni otpad. Provjerite s mjesnim vlastima, servisnim centrom ili prodavateljem /pogonom za sigurno odlaganje/reciklažu.

Ispuštanje ulja

1. Dok je motor ugašen, ali je još uvijek topao, odvojite vod od svjeće (D, slika 10) i odložite ga dalje od svjeće (E).
2. Izvadite mjernu šipku (A, slika 11).
3. Skinite čep za ispuštanje ulja (F, slika 11). Ulje ispuštite u odgovarajuću posudu.

Napomena: Na motoru su postavljeni različiti čepovi za ispuštanje ulja (G, slika 11).

4. Kada ispuštite ulje, postavite i zategnite čep za ispuštanje ulja (F, slika 11).

Dolijevanje ulja

- Pazite da motor bude u vodoravnom položaju.
- Iz područja za ulijevanje ulja očistite sve nečistoće.
- Pogledajte odjeljak **Tehnički podaci** radi količine ulja.

1. Izvadite mjernu šipku (A, slika 11) i obrišite je čistom krpom.
2. Polako ulijevajte ulje u otvor za ulijevanje ulja u motor (C, slika 11). Nalijevajte do točke prelijevanja.
3. Montirajte mjernu šipku (A, slika 11). **Nemojte okretati ili stezati.**
4. Izvadite mjernu šipku i provjerite razinu ulja. Propisana razina ulja nalazi se na gornjem dijelu indikatora napunjenosti (B, slika 11) na mjestu šipki.
5. Vratite i stegnite mjernu šipku (A, slika 11).
6. Spojite kabel svjeće (D, slika 10) na svječicu (E).

Promjena ulja u reduktoru

Pogledajte sliku: 12, 13

6:1 reduktor (slika 12)

Ako je motor opremljen reduktorom 6:1, servisirajte ga na ovaj način:

1. Skinite čep za ulijevanje ulja (A, slika 12) i čep za provjeru razine ulja (B).
2. Skinite čep za ispuštanje ulja (C, slika 12) i ispuštite ulje u odgovarajuću posudu.
3. Vratite i stegnite čep za ispuštanje ulja (C, slika 12).
4. Prilikom punjenja polagano ulijevajte ulje za prijenose (pogledajte odjeljak **Tehnički podaci**) u otvor za ulijevanje ulja (D, slika 12). Nastavite s ulijevanjem sve dok ulje ne počne izlaziti kroz otvor za provjeru razine ulja (E).
5. Vratite i stegnite čep za provjeru ulja (B, slika 12).
6. Vratite i stegnite čep za ulijevanje ulja (A, slika 12).

Napomena: Čep za ulijevanje ulja (A, slika 12) na sebi ima otvor za odzračivanje (F) i mora se postaviti na gornjem dijelu kućišta sa supčanicima.

2:1 reduktor (slika 13)

Reduktor 2:1 (G, slika 13) ne zahtijeva mijenjanje ulja.

Servisiranje zračnog filtra

Pogledajte sliku: 14, 15, 16



UPOZORENJE



Gorivo i njegove pare izuzetno su zapaljivi i eksplozivni.

Požar ili eksplozija mogu izazvati ozbiljne opekline ili smrt.

- Nikad ne pokrećite i ne koristite motor s montiranim filtrom za zrak (ako je ugrađen) ili s demontiranim zračnim filtrom (ako je montiran).

OPASKA Za čišćenje filtra nemojte koristiti komprimirani zrak ili otapala. Komprimirani zrak može oštetiti filter, a otapala ga mogu rastvoriti.

Pogledajte **Plan održavanja** radi utvrđivanja potrebnih servisa.

Na raznim modelima koristi se spužvasti ili papirni filter. Neki modeli su također opremljeni predfiltrom koji se može prati i opet koristiti. Usporedite slike u ovom priručniku s vrstom koja je montirana na vašem motoru i servisirajte prema uputama.

Ravni zračni filter

1. Otpustite vijke (A, slika 14).
2. Skinite poklopac (B, slika 14).
3. Uklonite vijak (D, slika 14) i podlošku (E).
4. Kako nečistoća ne bi dospjela u rasplinjač, pažljivo skinite spužvasti element (C, slika 14) s osnove zračnog filtra (G).
5. Uklonite nosivu čašicu (F, slika 14) iz spužvastog uložka (C).
6. Operite spužvasti uložak (C, slika 14) u tekućem deterdžentu i vodi. Iscijedite spužvasti uložak do suhoga u čistoj krpici.
7. Natopite spužvasti uložak (C, slika 14) čistim motornim uljem. Za uklanjanje viška ulja, iscijedite spužvasti uložak u čistu krpicu.
8. Stavite nosivu čašicu (F, slika 14) u spužvasti uložak (C).
9. Montirajte spužvasti uložak (C, slika 14) na bazu zračnog filtra (G) i na svornjak (H). Pazite da spužvasti uložak propisno montirate na osnovu zračnog filtra i pričvrstite ga podloškom (E) i vijkom (D).
10. Montirajte poklopac (B, slika 14) i pričvrstite ga vijcima (A). Provjerite je li vijak čvrsto stegnut.

Papirni zračni filter

1. Otpustite vijke (A, slika 15).
2. Skinite poklopac (B, slika 15).
3. Skinite poklopac (E, slika 15).
4. Kako nečistoća ne bi dospjela u rasplinjač, pažljivo skidajte predfilter (D, slika 15), ako je ugrađen i filter (C) s osnove zračnog filtra (F).
5. Ako se želite osloboditi otpadaka, lagano kucnite filter (C, slika 15) o tvrdu površinu. Ako je filter prekomjerno zaprljan, zamijenite ga novim filtrom.
6. Uklonite poklopac predfiltera (D, slika 15), ako je ugrađen, s filtra (C).
7. Operite predfilter (D, slika 15) u tekućem deterdžentu i vodi. Ostavite predfilter da se dobro osuši na zraku. **Nemojte** nauljivati predfilter.
8. Montirajte suhi predfilter (D, slika 15), ako je ugrađen, na filter (C).
9. Montirajte brtvenu podlošku (H, slika 15) i filter (C) i predfilter (D), ako je ugrađen, na osnovu zračnog filtra (F) i na svornjak (G). Pazite da filter propisno montirate na osnovu zračnog filtra i pričvrstite ga vijkom (E).
10. Montirajte poklopac (B, slika 15) i pričvrstite ga vijcima (A). Provjerite je li vijak čvrsto stegnut.

Papirni zračni filter

1. Otpustite vijke (D, slika 16).
2. Skinite poklopac (A, slika 16).
3. Uklonite poklopac predfiltera (C, slika 16), ako je ugrađen i filter (B).
4. Ako se želite osloboditi otpadaka, lagano kucnite filter (B, slika 16) o tvrdu površinu. Ako je filter prekomjerno zaprljan, zamijenite ga novim filtrom.
5. Operite predfilter (C, slika 16), ako je ugrađen, u tekućem deterdžentu i vodi. Ostavite predfilter da se dobro osuši na zraku. **Nemojte** uljiti predfilter.
6. Ugradite suhi predfilter (C, slika 16), ako postoji i filter (B).
7. Postavite poklopac (A, slika 16) i pričvrstite ga vijcima (D). Provjerite je li vijak čvrsto stegnut.

Servisiranje sustava goriva

Pogledajte sliku 17, 18



UPOZORENJE

Gorivo i njegove pare izuzetno su zapaljivi i eksplozivni.

Požar ili eksplozija mogu izazvati ozbiljne opekline ili smrt.

- Benzin držite podalje od iskrenja, otvorenog plamena, inicijalizacijskih plamčaka, vrućine i drugih izvora zapaljenja.
- Provjeravajte češće vodove goriva, spremnik, poklopac i spojeve radi napuknuća ili curenja. Zamijenite ih ako je potrebno.
- Ispustite gorivo iz spremnika ili zatvorite ventil za dovod goriva prije čišćenja ili zamjene filtra goriva.
- Ako se gorivo prolje, pričekajte dok ne ishlapi prije pokretanja motora.
- Zamjenski dijelovi moraju biti jednaki i postavljeni na istim mjestima kako i originalni dijelovi.

Filtar za gorivo, ako je ugrađen

1. Ispustite gorivo iz spremnika ili zatvorite ventil za dovod goriva prije čišćenja ili zamjene filtra goriva (A, Figure 17). U protivnom bi moglo doći do istjecanja goriva što može dovesti do požara ili eksplozije.
2. Kliještima stisnite jezičke ((B, slika 17) na obujmicama (C), a zatim svucite obujmice s filtra za gorivo (A) Uvrnite i svucite vodove za gorivo (D) s filtra za gorivo.
3. Provjerite da na vodovima za gorivo (D, Figure 17) nema pukotina ili curenja. Zamijenite ih ako je potrebno.
4. Zamijenite filtara za gorivo (A, slika 17) originalnim zamjenskim filtrom na uređaju.
5. Pričvrstite vodove za dovod goriva (D, slika 17) uz pomoć obujmica (C), kao što je prikazano.

Mrežica filtra za gorivo, ako je ugrađena

1. Skinite čep za ulijevanje goriva (A, slika 18).
2. Skinite čep za ulijevanje goriva (B, slika 18).
3. Ako je filtara goriva zaprljan, očistite ga ili zamijenite. Ako vršite zamjenu sita za otpad, pobrinite se da upotrijebite originalno sito za zamjenu.

Servisiranje rashladnog sustava



UPOZORENJE

Rad motora proizvodi toplinu. Dijelovi motora, naročito prigušivač, izuzetno se zagrijavaju.

Teške opekline mogu nastati pri dodiru.

Zapaljivi otpad poput lišća, trave, grmlja itd. može se upaliti.

- Pustite da se prigušivač, cilindri motora i rebra ohlade prije dodirivanja.
- Odstranite nakupine nečistoće iz okoline prigušivača i cilindra.

OPASKA Nemojte vodom čistiti motor. Voda može onečistiti sustav goriva. Motor očistite četkom ili suhom krpom.

Ovo je motor sa zračnim hlađenjem. Prljavština ili nečistoća može ograničiti protok zraka te izazvati pregrijavanje motora, što će za posljedicu imati slabiji rad i skraćeni životni vijek motora.

1. Četkom ili suhom krpom odstranite otpad s rešetke na usisu zraka.
2. Polužje, opruge i ručice upravljanja održavajte čistima.
3. U prostoru iza i oko prigušivača neka bude nikakvih zapaljivih nečistoća.
4. Pobrinite se da na rebrima hladnjaka a ulje ne bude prljavštine i otpadaka.

S vremenom može doći do nakupljanja nečistoća u rebrima za hlađenje cilindra te izazvati pregrijavanje motora. Ove nečistoće se ne mogu uočiti bez djelomičnog rasklapanja motora. Prepustite ovlaštenom predstavniku Briggs & Stratton da pregleda i očisti sustav zračnog hlađenja prema preporukama iz **Tablice održavanja**.

Skladištenje



UPOZORENJE

Gorivo i njegove pare izuzetno su zapaljivi i eksplozivni.

Požar ili eksplozija mogu izazvati teške opekline ili smrt.

Prilikom skladištenja goriva ili opreme s gorivom u spremniku

- Pohranite daleko od peći, štednjaka, grijača vode i drugih uređaja koji imaju inicijalizacijske plamčike ili druge izvore paljenja jer oni mogu zapaliti pare goriva.

Sustav dovoda goriva

Pogledajte sliku: 19

Motor uskladištite u vodoravnom položaju (normalni radni položaj). Spremnik za gorivo (A, slika 19) napunite gorivom. Kako bi bila moguća ekspanzija goriva, nemojte puniti spremnik više od dna otvora spremnika (B).

Gorivo može postati ustajalo ako je uskladišteno dulje od 30 dana. Zbog ustajalog goriva stvaraju se kiseli i gumasti talozi u sustavu goriva ili na važnim dijelovima rasplinjača. Za održavanje goriva svježim koristite **Briggs & Stratton naprednu formulu za tretiranje i stabiliziranje goriva** koja je dostupna na svim mjestima na kojima se prodaju originalni rezervni dijelovi tvrtke Briggs & Stratton.

Nema potrebe za ispuštanjem goriva iz motora ako je stabilizator goriva dodan prema uputama. Pustite motor da radi dvije (2) minute kako bi se stabilizator rasporedio po sustavu za dovod goriva.

Ako gorivo u motoru prije skladištenja nije bilo obrađeno stabilizatorom goriva, mora se ispuštiti u odgovarajući spremnik. Pustite motor da radi dok se ne zaustavi zbog pomanjkanja goriva. Za održavanje svježine goriva preporučuje se uporaba stabilizatora goriva u spremniku za čuvanje.

Motorno ulje

Dok je motor još uvijek zagrijan, promijenite ulje. Pogledajte odjeljak **Promjena motornog ulja**.

Rješavanje problema

Za pomoć se obratite lokalnom prodavatelju ili idite na **VanguardEngines.com** ili nazovite **1-800-999-9333** (u SAD-u).

Tehnički podaci

Model: 130000	
Radni volumen	12.48 ci (205 cc)
Otvor	2.688 in (68,28 mm)
Hod klipa	2.200 in (55,88 mm)
Kapacitet spremnika ulja	20 - 22 oz (.59 - .65 L)
Vrsta ulja za reduktor	80W-90
Količina ulja za reduktor	4 oz (.12 L)
Zazor svjeće	.030 in (.76 mm)
Moment pritezanja svjeće	180 lb-in (20 Nm)
Zazor rotora	.010 - .014 in (.25 - .36 mm)
Zazor usisnog ventila	.004 - .006 in (.10 - .15 mm)
Zazor ispušnog ventila	.009 - .011 in (.23 - .28 mm)

Model: 190000	
Radni volumen	18.63 ci (305 cc)
Otvor	3.120 in (79,24 mm)
Hod klipa	2.438 in (61,93 mm)
Kapacitet spremnika ulja	26 - 28 oz (.77 - .83 L)
Vrsta ulja za reduktor	SAE 30
Količina ulja za reduktor	12 oz (.35 L)
Zazor svjeće	.030 in (.76 mm)
Moment pritezanja svjeće	180 lb-in (20 Nm)
Zazor rotora	.010 - .014 in (.25 - .36 mm)
Zazor usisnog ventila	.004 - .006 in (.10 - .15 mm)
Zazor ispušnog ventila	.004 - .006 in (.10 - .15 mm)

Snaga motora će se smanjiti za 3,5% na svakih 1.000 stopa (300 metara) nadmorske visine i za 1% na svakih 10 °F (5,6 °C) iznad 77 °F (25 °C). Rad motora će biti zadovoljavajući do kutova nagiba od 15°. Pogledajte u upute za operatera radi podataka o dopuštenim sigurnosnim ograničenjima pri radu na usponima.

Servisni dijelovi - model: 130000, 190000

Servisni dio	Broj dijela
Pjenasti zračni filter (model 130000, slika 14)	797378
Papirni zračni filter (model 130000, slika 15)	797033
Predfilter (model 130000, slika 15)	798513
Papirni zračni filter (model 190000, slika 15)	797032
Predfilter (model 190000, slika 15)	798795
Papirni zračni filter (slika 16)	474279
Predfilter (slika 16)	491435S
Napredna formula za pripremu goriva i stabilizator	100117, 100120
Svjećica s otpornikom	491055
Ključ za svjećicu	19576, 5402
Ispitivna iskre	19368

Preporučujemo vam da se obratite ovlaštenom Briggs & Stratton servisu za održavanje i servis motora i dijelova motora.

Nominalne vrijednosti snage: Nominalna vrijednost bruto snage za pojedinačne modele benzinskih motora označena je u skladu s kodeksom J1940 Postupak određivanja snage i zakretnog momenta za male motore & društva SAE (Society of Automotive Engineers) i određuje se u skladu s kodeksom SAE J1995. Vrijednosti momenta izvedene su pri 2600 o/min za motore kod kojih se "o/min" nalazi na naljepnici i pri 3060 o/min za sve druge motore; vrijednosti o snazi dobiveni su pri 3600 o/min. Krivulje bruto snage mogu se vidjeti na stranici www.BRIGGSandSTRATTON.COM. Neto vrijednosti snage dobivene su uz montirani ispušni lonac i filter za zrak, dok su bruto vrijednosti snage dobivene bez tih podataka. Stvarna bruto snaga motora bit će viša od neto snage i na nju između ostalog utječu radni uvjeti okoline i različitosti od motora do motora. S obzirom na široki asortiman uređaja na kojima su ugrađeni naši motori, benzinski motor neće moći razviti nominalnu bruto snagu kad se bude upotrebljavao na određenom stroju. Ta razlika nastaje zbog brojnih čimbenika uključujući, među ostalim, raznolikost komponenti motora (zračni filter, ispušna cijev, punjenje, hlađenje, rasplinjač, pumpa za gorivo itd.), ograničenja primjene, radne uvjete okoline (temperaturu, vlagu, nadmorsku visinu) i razlike od motora do motora. Zbog ograničenja u proizvodnji i kapacitetima, Briggs & Stratton mogu izvršiti zamjenu nekog motora više nominalne snage motorom iz ove serije.

Jamstvo

Jamstvo za motor Briggs & Stratton

Vrijedi od siječnja 2017.

Ograničeno jamstvo

Tvrtka Briggs & Stratton jamči da će, u dolje navedenom jamstvenom razdoblju, besplatno popraviti ili zamijeniti bilo koji manjkavi dio uslijed nedostataka u materijalu i/ili izradi. Troškove prijevoza proizvoda poslanog na popravak ili zamjenu u smislu ovog jamstva mora snositi kupac. Ovo jamstvo vrijedi unutar dolje navedenog vremenskog razdoblja i pod dolje navedenim uvjetima. Ako trebate popraviti uređaj unutar jamstvenoga razdoblja pronađite najbliži ovlašten servis uz pomoć naše mape ovlaštenih servisa dostupne na BRIGGSandSTRATTON.COM. Kupac se mora obratiti ovlaštenom servisu te dostaviti proizvod radi pregleda i provjere.

Ne postoje druga izričita jamstva. Implicirana jamstva, uključujući i ona o utrživosti i prikladnost za određenu namjenu, ograničena su na jamstveno razdoblje navedeno dolje ili na rok dozvoljen zakonom. Odgovornost za slučajnu ili posljedičnu štetu je isključena u obimu dozvoljenom zakonom. U nekim državama ili zemljama nije dozvoljeno ograničenje impliciranog jamstva, a neke države ili zemlje ne dozvoljavaju ograničenje ili izuzeće slučajnih ili posljedičnih šteta stoga se gornja ograničenja ili izuzeća možda neće odnositi na vas. Ovo jamstvo pruža vam određena zakonska prava, a ostala prava, na koja možda imate pravo, razlikuju se među saveznom državama i zemljama⁴.

Uvjeti standardnog jamstva 1, 2, 3

Naziv marke/proizvoda	Privatna uporaba	Komercijalna uporaba
Vanguard™; komercijalna serija	36 mjeseci	36 mjeseci
Motori koji se odlikuju Dura-Bore™ košuljicama od lijevanog željeza	24 mjeseca	12 mjeseci
Svi ostali motori	24 mjeseca	3 mjeseca

¹Ovo su naši standardni jamstveni uvjeti, no ponekad može postojati pokriveno jamstvom koje nije bilo definirano u vrijeme objave ovog materijala. Popis trenutnih jamstvenih uvjeta potražite na adresi BRIGGSandSTRATTON.com ili kontaktirajte ovlaštenog zastupnika tvrtke Briggs & Stratton.

²Jamstvo se ne daje za motore strojeva koji se koriste kao osnovni pogon na mjestu rada ili za kućne generatore u komercijalne svrhe. Jamstvo se ne odnosi na motore

koji se koriste za natjecanje u utrkama ili u komercijalnim kamionima ili kamionima koji se iznajmljuju.

³Vanguard motor koji se ugrađuje na stacionarne generatore: 24 mjeseca za privatnu uporabu, nema jamstva za komercijalnu uporabu. Vanguard motor koji se ugrađuje na pomoćna vozila: 24 mjeseca za privatnu uporabu, 24 mjeseca za komercijalnu uporabu. Komercijalne serije proizvedene prije srpnja 2017, 24 mjeseca privatne uporabe, 24 mjeseca komercijalne uporabe.

⁴U Australiji - naši proizvodi obuhvaćeni su jamstvima koja ne mogu biti izuzeta iz australskog zakona o potrošačima. Imate pravo na zamjenu ili povrat novca u slučaju velikog kvara te na odštetu u slučaju bilo kakvog razumno predvidivog gubitka ili oštećenja. Također, imate pravo na popravak proizvoda ili zamjenu proizvoda ako njegova kvaliteta nije na prihvatljivoj razini i ako kvar nije velik. Usluge popravka pod jamstvom ostvarit ćete u najbližem ovlaštenom servisu kojega možete pronaći na mapi ovlaštenih servisa na stranici BRIGGSandSTRATTON.COM, pozivom na broj 1300 274 447 ili slanjem poruke e-pošte na adresu salesenquiries@briggsandstratton.com.au, Briggs & Stratton Australia Pty Ltd, 1 Moorebank Avenue, Moorebank, NSW, Australia, 2170.

Jamstveno razdoblje započinje datumom prve kupovine u maloprodaji za privatnu ili komercijalnu uporabu. Korišten u ovoj polici, izraz "privatna uporaba" označava uporabu od strane prvog vlasnika u vlastitom kućanstvu. "Komercijalna uporaba" označava sve ostale uporabe, uključujući uporabu u komercijalne svrhe radi ostvarivanja zarade ili iznajmljivanja. Kada se motor jednom upotrijebi u komercijalne svrhe, za potrebe ovog jamstva smatra se motorom u komercijalnoj uporabi.

Sačuvajte račun kao dokaz kupnje. Ako prilikom traženja usluge popravka u jamstvenom razdoblju ne predočite dokaz o datumu prve kupnje, jamstveno razdoblje utvrdit će se sukladno datumu proizvodnje. Proizvode tvrtke Briggs & Stratton nije potrebno registrirati za ostvarivanje prava na popravak pokriven jamstvom.

Više o vašem jamstvu

Ovo ograničeno jamstvo obuhvaća samo greške u materijalu i/ili izradi motora, a ne zamjenu ili naknadu opreme na koju je motor postavljen. Redovito održavanje, podešavanje, prilagodbe i normalno habanje nisu pokriveni ovim jamstvom. Također, jamstvo ne vrijedi ako je motor izmijenjen ili promijenjen ili ako je serijski broj nečitak ili uklonjen. Ovim jamstvom nisu obuhvaćena oštećenja motora ili problemi u radu koje su izazvali:

- uporaba dijelova koji nisu originalni dijelovi tvrtke Briggs & Stratton;
- rad motora s nedovoljnom količinom ulja ili s onečišćenim uljem ili s uljem za podmazivanje nedovoljne gradacije;
- uporaba onečišćenog ili ustajalog goriva, mješavine benzina s više od 10% etanola ili zbog upotrebe alternativnih goriva kako što je ukapljeni naftni ili prirodni plin na motorima koji izvorno nisu projektirani/izrađeni za rad s takvim gorivima u tvrtki Briggs & Stratton;
- nečistoća koja je ušla u motor zbog nepropisnog održavanja ili ponovne montaže;
- udarac oštrice noža kosilice u neki tvrdi predmet na travnjaku koji se kosi, olabavljeni ili nepravilno postavljeni adapteri noža, rotora ili drugih elemenata spojenih na radilicu ili prezategnutos klinastih remena;
- pridruženi dijelovi ili sklopovi poput spojke, prijenosi, upravljački dijelovi uređaja itd., koje nije isporučila tvrtka Briggs & Stratton;
- pregrijavanje zbog nakupljene pokošene trave, prijavštine i otpada, gnijezda glodavaca što može izazvati začepljenje rashladnih lamela ili područja zamašnjaka ili rad motora bez dovoljne ventilacije;
- jaka vibracija zbog prekoračenja brzine, olabavljenih nosača motora, olabavljenih ili nebalansiranih noževa ili rotora ili nepropisnog načina povezivanja dijelova oprema na vratilo motora;
- neprijmerna uporaba, pomanjkanje redovitog održavanja, otprema, rukovanje ili skladištenje opreme ili nepropisna montaža motora.

Popravak obuhvaćen jamstvom dostupan je samo u ovlaštenim servisima tvrtke Briggs & Stratton. Pronađite najbližeg ovlaštenog serviseru na mapi ovlaštenih servisa na BRIGGSandSTRATTON.COM ili nazovite 1-800-233-3723 (u SAD-u).

80004537 (Rev. C)

1 Biztonsági tudnivalókat tartalmaz ezen útmutató, hogy felhívja a figyelmet a motorokhoz kapcsolódó veszélyekre és kockázatokra, illetve ezek elkerülésének módzataira. A motor helyes gondozására és használatára vonatkozó útmutatásokat is tartalmaz. Mivel a Briggs & Stratton Corporation nem feltétlenül tudja, milyen berendezést fog ez a motor hajtani, fontos, hogy elolvassa és megértse ezen, valamint a motor által meghajtott berendezésre vonatkozó útmutatásokat **Őrizze meg ezeket az utasításokat későbbi tájékozódás céljából.**

Megjegyzés: Az útmutatóban lévő számok és illusztrációk csak tájékoztató jellegűek, eltérhetnek az ön specifikus modelljétől. Ha kérdései vannak, forduljon a szakkereskedéshez.

Pótalkatrészek beszerzéséhez vagy műszaki támogatáshoz alább jegyezze fel a motor modell, típus és kódszámát a vásárlás időpontjával együtt. Ezen számok a motorján találhatóak (lásd a **Funkciók és kezelőszervek** című részt).

Vásárlás dátuma:	
Motor Modell - Típus - Kódszám	
Motorszám	

Keresse meg az egyes motorokon elhelyezett 2D vonalkódot. Ha 2D képes eszközzel nézi, akkor a webhelyünkre irányítja a kód, ahol hozzájuthat e termék támogatási információihoz. Adatátviteli sebességek kerülnek alkalmazásra. Egyes országokban előfordulhat, hogy nem állnak hálózaton keresztül elérhető támogatási információk rendelkezésre.



Újrahasznosítási tudnivalók

		A vonatkozó kormányrendeleteknek megfelelően kell elvégezni valamennyi csomagolóanyag, fáradt olaj és akkumulátor újrahasznosítását.
--	--	--

A felhasználó biztonsága

Biztonsági figyelmeztető jel és figyelmeztető szavak

Egy biztonsági riasztási szimbólum használatos a személyi sérüléssel járó kockázatokra vonatkozó biztonsági tudnivalók jelzésére. Figyelemfelhívó jelekkel ellátott jelzőszó (VESZÉLY, FIGYELMEZTETÉS vagy VIGYÁZAT) utal a veszély előfordulásának valószínűségére és az esetleges sérülés súlyosságára. Egy veszély-szimbólum is használatos a veszély jellegének jelzésére.

VESZÉLY olyan veszélyre utal, mely, ha nem sikerül elkerülni, akkor **halált, vagy súlyos sérülést okoz.**

FIGYELMEZTETÉS olyan veszélyre utal, mely, ha nem sikerül elkerülni, akkor **halált, vagy komoly sérülést okozhat.**

VIGYÁZAT olyan veszélyre utal, mely, ha nem sikerül elkerülni, akkor **könnyebb vagy közepesen súlyos sérülést okozhat.**

MEGJEGYZÉS olyan tevékenységet jelöl, mely a termék károsodását okozhatja.

Veszélyjelek és jelentésük

Szimbólum	Jelentés	Szimbólum	Jelentés
	Biztonsági információ a személyi sérülést okozható veszélyekről.		A készülék üzemeltetése vagy szervizelése előtt olvassa el és értse meg a használati útmutatót.

Szimbólum	Jelentés	Szimbólum	Jelentés
	Tűzveszély		Robbanásveszély.
	Áramütés veszélye.		Mérgező gázok veszélye
	Forró felület veszélye.		Zajveszély - Hallásvédő használata ajánlott hosszabb használat esetén.
	Kidobott tárgyak miatti veszély - Viseljen szemvédőt.		Robbanásveszély.
	Fagyásveszély		Visszautás veszélye
	Levágásveszély - mozgó alkatrészek		Vegyvi veszély
	Égésveszély		Korrozív

Biztonsági közlemények

FIGYELMEZTETÉS

E termék bizonyos alkatrészei és a velük kapcsolatos tartozékok olyan vegyszereket tartalmaznak, melyeket Kalifornia Államban rákkeltőknek, születési rendellenességeket okozóknak és a reprodukív rendszerre káros hatásúnak ismernek. Miután ezekkel dolgozott, mosson kezet.

FIGYELMEZTETÉS

A termék motorjának kipufogógáza olyan vegyszereket tartalmaznak, amelyeket Kalifornia államban rákkeltőknek, születési rendellenességeket okozóknak, és a reprodukív rendszerre káros hatásúnak ismernek.

FIGYELMEZTETÉS

A Briggs & Stratton motorokat nem a következő járművekhez tervezték és nem használhatóak ezek hajtására: szórakoztató kartok; gokartok; gyermek szabadidős vagy sport terepjárók (ATV); motorkerékpárok; légpárnás járművek; repülőgépek; vagy a Briggs & Stratton által nem támogatott versenyeken használt járművek. A versenytermékekre vonatkozó további tudnivalókért keresse fel a www.briggsracing.com című webhelyet. Hasznójárművekben és side-by-side terepjárókban történő használat esetén kérjük, forduljon a Briggs & Stratton Motor alkalmazási központjához, 1-866-927-3349. Komoly sérüléshez vagy halálhoz vezethet a motor nem megfelelő alkalmazása.

FIGYELMEZTETÉS
Az üzemanyag és annak kipárolgása rendkívül gyúlékony és robbanékony.
A tűz vagy robbanás súlyos égési sérüléseket vagy halált okozhat.

Üzemanyag betöltések

- Kapcsolja ki a motort és hagyja lehűlni legalább 2 percig, mielőtt levonná az üzemanyagsapkát.
- Az üzemanyagtartályt szabadban vagy jól szellőztetett helyen töltsen meg.

- Ne töltse túl az üzemanyagtartályt. Az üzemanyag tágulásának lehetővé tétele érdekében ne töltse feljebb az üzemanyagot, mint a tartály nyakának alja.
- Az üzemanyagot tartsa távol szikráktól, nyílt lángtól, gyújtólángtól, hőtől és más gyújtóforrásoktól.
- Rendszeresen ellenőrizze az üzemanyag-vezetékeket, a tartályt, a tartálysapkát és a szerelvényeket repedések vagy szivárgás szempontjából. Szükség esetén cserélje ki.
- Ha az üzemanyag kiömlik, várja meg, amíg az üzemanyag elpárolog mielőtt beindítaná a motort.

A motor beindításakor

- Ellenőrizze, hogy a gyújtógyertya, a kipufogódob, az üzemanyagsapka és a légtisztító (ha van) a helyükön, illetve rögzítve vannak-e.
- Ne indítsa be a motort, ha a gyújtógyertya nincs a helyén.
- Ha a motor túlfolyik, állítsa a szivatót (ha van) NYITVA/ÜZEM pozícióba, a gázkart (ha van) állítsa GYORS pozícióba, és indítózson, amíg a motor be nem indul.

A berendezés működésekor

- Ne döntse meg a motort, vagy a berendezést akkora szögben, hogy az üzemanyag kilöttyenjen.
- Ne fojtsa el a karburátort a motor leállításához.
- Soha ne indítsa vagy üzemeltesse a motort úgy, hogy a levegőszűrő szerelvényt (ha van) vagy a levegőszűrőt (ha van) eltávolították.

Olajcsere közben

- Ha kiüríti az olajat a felső olajfeltöltő csőből, az üzemanyagtartálynak üresnek kell lennie, ellenkező esetben üzemanyag-szivárgás léphet fel, ami tüzet vagy robbanást okozhat.

Az egység karbantartáshoz történő megdöntése közben

- Ha olyan karbantartást végez, mely az egység megdöntését igényli, akkor az üzemanyagtartálynak, amennyiben a motorra van szerelve, üresnek kell lennie ellenkező esetben az üzemanyag kifolyhat és tüzet vagy robbanást okoz.

A készülék szállításakor

- A szállításhoz az üzemanyagtartálynak ÜRESNEK vagy az elzárószelvénynek a ZÁRT helyzetben kell lennie.

Üzemanyag vagy olyan berendezés tárolása, amelynek üzemanyagtartályában üzemanyag van

- Tárolja távol kazánoktól, tűzhelyektől, vízmelegítőktől vagy más olyan berendezésektől, amelyek gyújtólánggal vagy más gyújtószerkezettel vannak ellátva, mivel ezek meggyújthatják az üzemanyag kipárolgását.



FIGYELMEZTETÉS

A motor indítása szikrákat képez.

A szikrázás gyúlékony gázok közelében azok meggyulladását eredményezheti.

Ez robbanáshoz és tűzhöz vezethet.

- Ha földgáz-, vagy propán-bután gázszivárgás van a területen, ne indítsa el a motort.
- Ne alkalmazzon nyomás alatt lévő indítófolyadékot, mert a gőzök gyúlékonyak.



FIGYELMEZTETÉS

MÉRGEZŐ GÁZ VESZÉLYE. A motor kipufogógáza szénmonoxidot, egy mérgező gázt tartalmaz, amely percek alatt halálos mérgezést okozhat. A szénmonoxid NEM látható, szagtalan és íztelen. Még ha nem is érzi a kipufogógázokat, akkor is ki lehet téve a szénmonoxid-gáz hatásának. Amennyiben a termék használata közben szédülést, rosszullétet vagy gyengeséget érez, AZONNAL menjen friss levegőre. Menjen orvoshoz. Előfordulhat, hogy szénmonoxid-mérgezése van.

- Ezt a terméket KIZÁRÓLAG a szabadban, ablakoktól, ajtóktól és szellőzőnyílásoktól távol működtesse annak érdekében, hogy csökkentse a szénmonoxid gáz felgyülemeléséből és esetleg emberi tartózkodásra szolgáló helyek felé áramlásából származó veszélyt.
- Telepítsen elemmel működő szénmonoxid-érzékelőket, vagy bedugható szénmonoxid-érzékelőket tartalék akkumulátorral a gyártó utasításai szerint. A füstérzékelők nem tudják érzékelni a szénmonoxid gázt.
- NE üzemeltesse a terméket lakóépületekben, garázsokban, pincékben, kúszótérben, fészerekben vagy más, részben zárt helyiségekben, még akkor se, ha ventilátorokat vagy nyitott ajtókat és ablakokat használ szellőztetéshez. A szénmonoxid gyorsan képes felhalmozódni ezeken a helyeken és órákon át fennmaradhat, még a termék kikapcsolása után is.

- MINDIG a hátszél irányába, ill. úgy fordítsa a terméket, hogy ne áramoljon emberi tartózkodásra szolgáló helyek felé a kipufogógáz.



FIGYELMEZTETÉS

A berántózsínor gyors visszahúzása (visszarúgás) gyorsabban rántja vissza a kezét és karját a motor felé, mint ahogyan el tudja engedni.

Ez csonttörést, roncsolást, zúzódást vagy rándulásokat okozhat.

- A motor indításakor lassan húzza a berántózsínort, amíg ellenállást nem érez, majd a visszahúgás elkerülésére gyorsan rántsa meg.
- Távolítsa el minden külső berendezést/motorterhelést a motor indítása előtt.
- A berendezés közvetlenül rákapcsolt alkatrészeit, mint például a lapátokat, járókereket, ékszíjtárcsákat, lánckereket, stb. biztonságosan rögzíteni kell.



FIGYELMEZTETÉS

A forgó alkatrészek érintkezésbe kerülhetnek a kézzel, lábbal, hajjal, ruházzal és más, a testen viselt tárgyakkal, vagy beleakadhatnak azokba.

Ennek sérüléssel amputáció vagy súlyos vágás lehet a következménye.

- A berendezés működtetésekor a védőberendezések legyenek a helyükön.
- Kezét és lábát tartsa távol a forgó alkatrészekről.
- A hosszú haját kösse fel és vegye le az ékszereket.
- Ne viseljen bő ruhát, lógó húzózsínórokat, vagy olyan ruhadarabokat, amelyeket a gép elkaphat.



FIGYELMEZTETÉS

A járó motorok hőt termelnek. A motor alkatrészei, különösképpen a kipufogódob rendkívül felforrósodnak.

Érintkezéskor súlyos égési sérüléseket szenvedhet.

Az olyan gyúlékony szennyeződések, mint a levelek, fű, bozót, stb lángra lobbanhatnak.

- Hagyja, hogy a kipufogódob, a motor, a henger és a hűtőbordák lehűljenek, mielőtt megérintené őket.
- Távolítsa el a felgyűlt hulladékot a kipufogódob és a henger környékéről.
- A California Public Resources törvénykönyv 4442. fejezetének megsértésének minősül, ha a motort paragon hagyott erdő, bokros vagy füves területen, illetve ezek mellett használja vagy üzemelteti, ha a kipufogórendszer nincs felszerelve megfelelő állapotban tartott szikrafogóval, a 4442. fejezet meghatározása szerint. Hasonló törvényeket más államok vagy szövetségi fennhatóság által tartozó területek is előírhatnak. Lépjen kapcsolatba az eredeti gyártóval, kiskereskedővel vagy viszonteladóval a jelen motor kipufogórendszeréhez meghatározott szikrafogó beszerzése érdekében.



FIGYELMEZTETÉS

A véletlen szikrázás tüzet vagy áramütést okozhat.

A véletlen beindítás belegabalyodást, sérüléssel amputációt vagy mély vágást okozhat.

Tűzveszély

Beállítások vagy javítások elvégzése előtt:

- Válassza le a gyújtógyertya vezetékét és tartsa távol a gyújtógyertyától.
- Válassza le az akkumulátort a negatív pólusnál (csak az elektromos indítású motorok esetében.)
- Csak megfelelő szerszámokat használjon.
- Ne állítsa át a szabályozórúgót, csatlakozásokat vagy más részeket a motor sebességének növelése érdekében.
- A pótalkatrészek legyenek ugyanolyan kivitelűek, mint az eredeti alkatrészek, valamint az eredeti alkatrészekkel megegyező helyzetben kell felszerelni azokat. Eltérő alkatrészek teljesítménye esetleg nem megfelelő, károsíthatják a készüléket, vagy sérülést okozhatnak.
- Ne üsse meg a lendkereket kalapáccsal vagy egyéb kemény tárggyal, mivel a lendkerék később összetörhet működés közben.

A szikraképződés ellenőrzésekor:

- Engedélyezett gyújtógyertya tesztet alkalmazzon.
- A szikraképződést ne ellenőrizze eltávolított gyújtógyertyával.

Funkciók és kezelőszervek

Motor kezelőszervei

Hasonlítsa össze az ábrát (1, 2, 3, 4) motorjával, hogy megismerhesse a különböző funkciókat és kezelőszervek helyeit.

- A. Motorszám **Modell - Típus - Kódszám**
- B. Gyújtógyertya
- C. Üzemanyagtartály és sapka
- D. Levegőszűrő
- E. Berántózsínór fogantyúja
- F. Olajbetöltő nyílás és olajsintjelző pálca
- G. Olajleeresztő csavar
- H. Kipufogódob, kipufogódob védő (ha be van szerelve) szikrafogó (ha be van szerelve)
- I. Szívatókar
- J. Gázszabályozó (ha be van szerelve)
- K. TransportGuard™ - Üzemanyag és gyújtás kar
- L. Légbeszívó nyílás rácsa
- M. Fordulatszám-csökkentő egység (ha be van szerelve)
- N. Leállító kapcsoló (ha be van szerelve)
- O. Elektromos indítókulcs (ha be van szerelve) ¹

¹ Egyes motorok és gépek távvezérlővel rendelkeznek. A távvezérlő helyének és működésének ismertetését a berendezés útmutatójában találja meg.

Motorvezérlési szimbólumok és jelentésük

Szimbólum	Jelentés	Szimbólum	Jelentés
	Motorfordulatszám - GYORS		Motorfordulatszám - LASSÚ
	Motorfordulatszám - LEÁLLÍTÁS		Be - Ki
	Motorindítás - szívató KI		Motorindítás - szívató BE
	Üzemanyagsapka Üzemanyag-elzáró csap - NYITVA		Üzemanyag-elzáró csap - ZÁRVA
	Üzemanyagszint – Maximum Ne töltse túl		

Üzemeltetés

Az olajra vonatkozó javaslatok

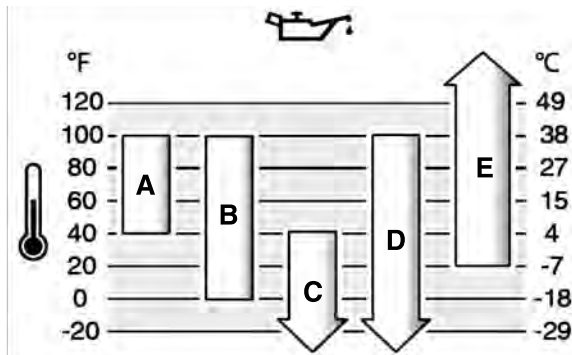
Olajtérfigat: Lásd a *Műszaki leírás* fejezetet.

MEGJEGYZÉS

A motort a Briggs & Stratton vállalat olaj nélkül szállította. Előfordulhat, hogy a berendezésgyártók, illetve forgalmazók olajat tettek a motorba. A motor első beindítása előtt győződjön meg, hogy a jelen útmutatóban lévő utasításoknak megfelelően ellenőrizi az olajsintet és tölti fel olajjal a készüléket. A motor olaj nélkül történő elindítása végtelen károsodást okoz, és a garancia elvesztését vonja maga után.

A minél jobb teljesítmény érdekében használjon Briggs & Stratton szavatossággal jóváhagyott olajokat. Egyéb jó minőségű tisztító olajok is elfogadhatóak, amennyiben SF, SG, SH, SJ vagy magasabb szerviz besorolásúak. Ne használjon speciális adalékokat.

A környezeti hőmérséklet határozza meg a motor számára a megfelelő olaj viszkozitást. A táblázat segítségével válassza ki a legjobb olaj viszkozitást a várható külső hőmérséklet függvényében. A legtöbb kültéri berendezésben lévő motor jól működik 5W-30 szintetikus olajjal. A magas hőmérsékleten üzemeltetett berendezéseknél a Vanguard™ 15W-50 szintetikus olaj kínálja a legjobb védelmet.



A	SAE 30 - 40 ° F (4 ° C) alatt az SAE 30 használata nehéz indítást okoz.
B	10W-30 - 27°C (80°F) felett a 10W-30 használata megnövelt olajfogyasztást eredményezhet. Gyakrabban ellenőrizze az olajsintet.
C	5W-30
D	Synthetic 5W-30 (Szintetikus 5W-30)
E	Vanguard™ Synthetic 15W-50

Ellenőrizze az olajsintet

Lásd ábra: 5

Olaj betöltése és ellenőrzése előtt

- Ellenőrizze, hogy szintben van-e a motor.
- Tisztítsa meg az olajbetöltő nyílás környékét.

1. Vegye ki a szintjelző pálcat (A, 5 ábra) és törölje le egy tiszta anyaggal.
2. Dugja be az olajsintjelző pálcat (A, 5 ábra). **Ne fordítsa el vagy húzza meg.**
3. Vegye ki a szintjelző pálcat és ellenőrizze az olajsintet. A megfelelő olajsint a szintjelző pálca tele jelzésének felső részén található (B, 5 ábra).
4. Ha alacsony az olajsint, akkor lassan töltsön motorolajat a töltőnyílásba (C, 5 ábra). A túlfolyási pontig töltsse fel.
5. Dugja be ismét az olajsintjelző pálcat (A, 5 ábra).

Alacsony olajsintet figyelő védőrendszer (ha be van szerelve)

Egyes motorok alacsony olajsint érzékelővel vannak ellátva. Ha alacsony az olajsint, akkor az érzékelő vagy aktivál egy figyelmeztető fényt vagy leállítja a motort. Állítsa le a motort, és a motor újraindítása előtt végezze el a következő lépéseket.

- Ellenőrizze, hogy szintben van-e a motor.
- Ellenőrizze az olajsintet. Nézze meg az **Ellenőrizze az olajsintet** című részt.
- Ha alacsony az olajsint, akkor végezze el megfelelő mennyiségű olaj utántöltését. Indítsa be a motort és ellenőrizze, hogy nincs-e aktiválva a figyelmeztető fény (ha be van szerelve).
- Ha nem alacsony az olajsint, akkor ne indítsa be a motort. Forduljon egy Briggs & Stratton egyik hivatalos márkaszervizéhez az olajprobléma megszüntetése érdekében.

Ajánlott üzemanyag-minőségek

Az üzemanyagoknak meg kell felelni e követelményeknek:

- Tiszta, friss, ólommentes benzin.
- Az oktánszám legalább 87 legyen/87 AKI (91 RON). Nagy magasságban való működtetésnél, lásd alább.
- Maximum 10% etanol (gazohol) tartalmazó benzin használható.

MEGJEGYZÉS Ne alkalmazzon nem engedélyezett benzineket, mint pl. az E15 és az E85. Ne keverjen olajat a benzinbe, illetve ne módosítsa a motort, hogy az alternatív üzemanyagokkal működjön. 1 Olyan károkat okoz a jóvá nem hagyott üzemanyagok használata, melyekre nem terjed ki a garancia.

Keverjen tartósítószer-adalékot az üzemanyagba, hogy megóvja az üzemanyagrendszer a gumilerakódástól. Lásd a **Tárolás** című rész. Az üzemanyagok nem egyformák. Ha gondolja támadnak az indítással vagy a teljesítménnyel kapcsolatban, váltson üzemanyag-beszállítót vagy üzemanyagmárkát. Benzinnel történő üzemeltetésre tanúsított e motor. EM (Engine Modifications) típusú e motor károsanyag-kibocsátást szabályozó rendszere.

Nagy magasságban történő használat

1524 méter (5000 láb) feletti magasságokban minimum 85-ös oktánszámú (85 AKI/89 RON) benzin használata elfogadható.

Porlasztóval rendelkező motorok esetén, nagy magasságban beállítás szükséges a teljesítmény megőrzése érdekében. E beállítás nélküli működtetés csökkenő teljesítményt, növekvő üzemanyag-fogyasztást és megnövekedett károsanyag-kibocsátást eredményez. Forduljon egy Briggs & Stratton hivatalos szakkereskedésbe a nagy magasságban történő használathoz szükséges szabályozással kapcsolatban. Nem javasolt a motor üzemeltetése 762 méter (2500 láb) alatt a nagy magasságban történő használathoz beszabályozva.

Elektronikus üzemanyag-befecskendezéssel (EFI) rendelkező motorok esetén nem szükséges nagy magasságban beállítást végezni.

Üzemanyag betöltése

Lásd ábra 6



FIGYELMEZTETÉS

Az üzemanyag és gőzei rendkívül gyúlékony és robbanásveszélyes anyagok.

A tűz vagy a robbanás komoly égési sérüléseket vagy halált okozhat.

Üzemanyag betöltések

- Kapcsolja ki a motort és hagyja lehűlni legalább 2 percig, mielőtt levonná az üzemanyagsapkát.
 - Az üzemanyagtartályt szabadban vagy jól szellőztetett helyen tölts meg.
 - Ne tölts túl az üzemanyagtartályt. A benzin tágulásának lehetővé tételére ne tölts a benzint az üzemanyagtartály nyakának alja fölé.
 - Az üzemanyagot tartsa távol szikráktól, nyílt lángtól, gyújtólángtól, hőtől és más tűzforrásoktól.
 - Rendszeresen ellenőrizze az üzemanyag-vezetékeket, a tartályt, tartálysapkát és szerelvényeket repedések vagy szivárgás szempontjából. Szükség esetén cserélje ki.
 - Ha az üzemanyag kiömlik, mielőtt beindítaná a motort, várja meg, amíg az üzemanyag elpárolog.
1. Tisztítsa meg az üzemanyagsapka környékét a kosztól és a szennyeződésektől. Vegye le a tanksapkát.
 2. Tölts az üzemanyagot az üzemanyagtartályba (A, 6 ábra). A benzin tágulásának lehetővé tételére ne tölts a benzint az üzemanyagtartály nyakának (B) fölé.
 3. Tegye vissza az üzemanyagtartály-sapkát.

A motor beindítása és leállítása

Lásd ábra: 7, 8

A motor beindítása



FIGYELMEZTETÉS

A berántózsín gyors visszahúzása (visszarugás) gyorsabban rántja vissza a kezét és karját a motor felé, mint ahogyan el tudja engedni.

Ez csonttörést, roncsolást, zúzódást vagy ficamodást okozhat.

- A motor indításakor lassan húzza a berántózsínort, amíg ellenállást nem érez, majd hirtelen rántsa meg, hogy elkerülje a visszarugást.



FIGYELMEZTETÉS

Az üzemanyag és gőzei rendkívül gyúlékony és robbanásveszélyes anyagok.

A tűz vagy a robbanás komoly égési sérüléseket vagy halált okozhat.

A motor beindításakor

- Győződjön meg, hogy a gyújtógyertya, kipufogódob, üzemanyagsapka és légtisztító (ha van) a helyükön vannak és rögzítve vannak.
- Ne indítsa be a motort, ha a gyújtógyertya nincs a helyén.
- Ha túlfolyik a motor, akkor állítsa a szívatót (ha be van szerelve) NYITOTT vagy MŰKÖDÉS állásba, állítsa a gázszabályozót (ha be van szerelve) a GYORS állásba és indítózson, amíg be nem indul a motor.



FIGYELMEZTETÉS

MÉRGEZŐ GÁZ VESZÉLYE. A motor kipufogógáza szénmonoxidot tartalmaz, egy mérgező gázt, amely percek alatt halálos mérgezést okozhat. A szénmonoxid NEM látható, szagtalan és íztelen. Még ha nem is érzi a kipufogógázt, akkor is ki lehet téve a szénmonoxid-gáz hatásának. Ha hányingere van, szédül vagy gyengének érzi magát a termék használata közben, kapcsolja ki és AZONNAL menjen friss levegőre. Forduljon orvoshoz. Előfordulhat, hogy szénmonoxid-mérgezése van.

- KIZÁRÓLAG ablakoktól, ajtóktól és szellőzőnyílásoktól távol, a szabadban működtesse a terméket, hogy csökkentse a szénmonoxid gáz felgyülemeléséből és esetlegesen emberi tartózkodásra szolgáló hely felé áramlásából származó veszélyt.
- Telepítse az elemmel működő szénmonoxid-érzékelőket vagy bedugható szénmonoxid-érzékelőket a tartalék elemmel a gyártó utasításai szerint. A füstérzékelők nem észlelik a szénmonoxid gázt.
- NE üzemeltesse a terméket lakóépületekben, garázsokban, pincékben, szervizcsatornáknál, fészerekben vagy más, részben zárt helyiségekben, még akkor se, ha ventilátorokat vagy nyitott ajtókat és ablakokat használja szellőztetéshez. A szénmonoxid gyorsan képes felhalmozódni ezeken a helyeken és órákon át fennmaradhat, még a készülék kikapcsolása után is.
- MINDIG a hátszél irányába ill. úgy fordítsa e terméket, hogy ne áramoljon emberi tartózkodásra szolgáló hely felé a kipufogógáz.

MEGJEGYZÉS A motor olaj nélkül kerül szállításra a Briggs & Stratton vállaltól. A motor beindítása előtt győződjön meg, hogy a jelen útmutatóban lévő utasításoknak megfelelően tölts fel olajjal a készüléket. A motor olaj nélkül történő elindítása végzetes károsodást okoz, és a garancia elvesztését vonja maga után.

Megjegyzés: * Egyes berendezések távvezérlővel lehetnek ellátva A távvezérlő helyének és működésének ismertetését a berendezés útmutatójában találja meg.

1. Ellenőrizze a motor olajsintjét. Lásd az **Ellenőrizze az olajsintet** című rész.
2. Ellenőrizze a berendezés hajtásszabályozóit, ha be vannak szerelve, hogy szét vannak-e kapcsolva.
3. Állítsa az üzemanyag vagy gyújtás kart (A, 7 ábra), ha be van szerelve, a BE vagy START állásba.
4. Állítsa a fojtószelep vezérlést (B, 7 ábra), ha be van szerelve, gyors állásba. A motort gyors helyzetben üzemeltesse.
5. Állítsa a szívatókart (C, 7, 8 ábra) a ZÁRT állásba.

Megjegyzés: Meleg motor újraindításához általában nincs szükség a szívatóra.

6. Állítsa a leállítási kapcsolót (E, 8 ábra), ha be van szerelve, a BE állásba.
7. **Rugóerős indítás, ha be van szerelve:** Erősen tartsa a berántózsínór fogantyúját (D, 7, 8 ábra). Lassan húzza a berántózsínort, amíg ellenállást nem érez, majd hirtelen rántsa meg.



FIGYELMEZTETÉS

A berántózsínór gyors visszahúzása (visszarugás) a várnál gyorsabban rántja a kezét és karját a motorhoz. Ez csonttörést, roncsolást, zúzódást vagy ficamodást okozhat. A motor indításakor lassan húzza a berántózsínort, amíg ellenállást nem érez, majd hirtelen rántsa meg, hogy elkerülje a visszarugást.

8. **Elektromos indítás, ha be van szerelve:** Fordítsa BE vagy START állásba az elektromos indítókulcsot (F, 8 ábra).

MEGJEGYZÉS Az indító élettartamának meghosszabbítása érdekében rövid indítási ciklusokat alkalmazzon (maximum öt másodperc). Az indítási ciklusok között tartson egy perc szünetet.

9. Ahogyan bemelegszik a motor mozgassa a szívatókart (C, 7, 8 ábra) a nyitott állásba.

Megjegyzés: Ha többszöri kísérlet után sem indul a motor, akkor forduljon a helyi viszonteladóhoz, keresse fel az **VanguardEngines.com** című webhelyet vagy a **1-800-999-9333** számot használja telefonhíváshoz (az Egyesült Államokban).

A motor leállítása



Az üzemanyag és gőzei rendkívül gyúlékony és robbanásveszélyes anyagok.

A tűz vagy a robbanás komoly égési sérüléseket vagy halált okozhat.

• A motor leállításához ne fojtsa el a karburátort.

1. **Leállító kapcsoló, ha be van szerelve:** Állítsa a LEÁLLÍTÁS helyzetbe leállító kapcsolót (E, 8 ábra).

Üzemanyag és gyújtás kar, ha be van szerelve: Állítsa a KI vagy LEÁLLÍTÁS helyzetbe az üzemanyag és gyújtás kart (A, 7 ábra).

2. **Elektromos indítás, ha be van szerelve:** Vegye ki a kulcsot. Tartsa gyermekek által nem érhető helyen.

Karbantartás

MEGJEGYZÉS Ha tároláskor megdönti a motort, ha a motorra van szerelve az üzemanyagtartály, akkor ki kell ürítenie azt és a gyújtógyertyának felfelé kell néznie. Ha az üzemanyagtartály nem üres és a motor más irányban van megdöntve, nehézzé válhat a motor beindítása, mivel az olaj vagy a benzin beszennyezi a légszűrőt és/vagy a gyújtógyertyát.



Ha olyan karbantartást végez, mely az egység megdöntését igényli, akkor az üzemanyagtartálynak üresnek kell lennie ellenkező esetben kifolyhat az üzemanyag és tüzet vagy robbanást okoz.

Javasoljuk, hogy a motor és motor alkatrészek bármely karbantartását és szervizelését Hivatalos Briggs & Stratton szervizállomáson végeztesse.

MEGJEGYZÉS Minden alkatrésznek, melyet ebbe a motorba építettek a helyén kell maradnia a megfelelő működés érdekében.



Véletlen szikraképződés tüzet vagy áramütést okozhat.

A véletlen beindítás belegabalyodást, sérüléssel amputációt vagy zúzódást okozhat.

Tűzveszély

Beállítások vagy javítások végzése előtt:

- Csatlakoztassa le a gyújtógyertya vezetékét és tartsa távol a gyújtógyertyától.
- Bontsa az akkumulátor csatlakozását a negatív pólusnál (csak elektromos indítással rendelkező motorok esetében.)
- Csak megfelelő szerszámokat használjon.
- Tilos állítani a gázadagoló rugóját, a karokat és egyéb alkatrészeket a motor fordulatszámának fokozása érdekében.
- A pótalkatrészek legyenek ugyanolyan kivételűek, mint az eredeti alkatrészek, valamint az eredeti alkatrészekkel megegyező helyzetben kell felszerelni azokat. Más alkatrészek teljesítménye nem megfelelő lehet, a készülék károsodását vagy sérülést okozhatnak.
- Ne üsse meg a lendkereket kalapáccsal vagy egyéb kemény tárggyal, mivel a lendkerék később működés közben összetörhet.

Gyújtás ellenőrzésekor:

- Engedélyezett gyújtógyertya tesztet alkalmazzon.
- A szikraképződést ne ellenőrizze kivett gyújtógyertyával.

Károsanyag-kibocsátást szabályozó rendszer szervizelése

A károsanyag-kibocsátást szabályozó eszközök és rendszerek karbantartását, cseréjét vagy javítását bármelyik nem közúti motorok javításával foglalkozó cég vagy személy elvégezheti. Azonban a "díjmentes" károsanyag-kibocsátást szabályozó

rendszer szervizelés érdekében hivatalos szervizállomáshoz kell fordulnia. Lásd a Károsanyag-kibocsátási nyilatkozatot.

Karbantartási táblázat

Első 5 üzemóra
<ul style="list-style-type: none">• Cseréljen olajat.
8 óránként vagy naponta
<ul style="list-style-type: none">• Ellenőrizze az olajsztintet.• Tisztítsa meg a kipufogódob és a kezelőszervek körüli területet.• Tisztítsa meg a légbeszívó nyílás rácsát.
25 óránként vagy évente
<ul style="list-style-type: none">• Tisztítsa meg a levegőszűrőt ¹.• Tisztítsa meg az előtétiszűrő ¹.
50 óránként vagy évente
<ul style="list-style-type: none">• Cserélje ki a motorolajat.• Végezze el a kipufogó rendszer szervizelését.
100 üzemóránként
<ul style="list-style-type: none">• Cserélje ki a fordulatszám-csökkentő olajat (ha be van szerelve).
Évente
<ul style="list-style-type: none">• Cserélje ki a gyújtógyertyát.• Cserélje ki a levegőszűrőt.• Cserélje ki az előszűrőt.• Végezze el a kipufogó rendszer szervizelését.• Hűtőrendszer szervizelése ¹.• Ellenőrizze a szélephézagot ².

¹ Poros környezetben vagy amikor levegőből származó nyersedék van jelen, akkor gyakrabban tisztítsa meg.

² Nem szükséges, hacsak motorteljesítmény problémákat nem észlelt.

Porlasztó és motorfordulatszám

Sohase végezzen porlasztó és motorfordulatszám beállítást. Gyárilag történt a porlasztó beállítása annak érdekében, hogy a legtöbb körülmény esetén hatékonyan működjön.

Tilos állítani a gázadagoló rugóját, a karokat és egyéb alkatrészeket a motor fordulatszámának növelése érdekében. Ha bármilyen beállítás szükséges, akkor forduljon egy Hivatalos Briggs & Stratton szervizállomáshoz.

MEGJEGYZÉS A berendezés gyártója megadja a maximális motorfordulatszámot a berendezésre történő telepítésekor. **Ne lépje túl** ezt a fordulatszámot. Ha nem biztos a berendezés maximális fordulatszámában vagy gyárilag történt a motorfordulatszám beállítása, akkor támogatásért forduljon az egyik Hivatalos Briggs & Stratton szervizállomáshoz. A berendezés biztonságos és megfelelő működése érdekében kizárólag szakképzett szerviztechnikus végezheti a motorfordulatszám beállítását.

Végezze el a gyújtógyertya szervizelését.

Lásd ábra: 9

Résmérővel (B) ellenőrizze a hézagot (A, 9 ábra). Ha szükséges, akkor állítsa vissza a hézagot Szerelje be és az ajánlott nyomatékka húzza meg a gyújtógyertyát Hézag beállításához vagy a nyomatékhoz lásd a **Műszaki jellemzők** című részt.

Megjegyzés: *Bizonyos helyeken a helyi törvények megkivánják az ellenállással szerelt gyújtógyertya használatát a zavarójelek elnyomása végett Ha ez a motor eredetileg is előtét ellenállással szerelt gyújtógyertyával volt ellátva, csakis az azonos típusút használja csere esetén.

A kipufogó rendszer eltávolítása



A járó motorok hőt termelnek. A motor alkatrészek, különösképpen a kipufogódob rendkívül felforrósodnak.

Ha hozzáérnek, komoly égési sérülések keletkezhetnek.

A gyúlékony hulladék, pl. lomb, fű, cserje stb. meggyulladhatnak.

- Hagyja, hogy a kipufogódob, a henger és a hűtőbordák lehűljenek, mielőtt megérintené őket.
- Távolítsa el a felgyűlt hulladékokat a kipufogódob és a henger környékéről.
- A California Public Resources törvény 4442. fejezetének megsértésének minősül, ha a motort paragon hagyott erdős, bokros vagy füves területen, illetve ezek mellett használja vagy üzemelteti, ha a kipufogórendszer nincs felszerelve megfelelő állapotban fenntartott szikrafogóval, a 4442. fejezet meghatározása szerint. Hasonló törvényeket más államok vagy szövetségi fenntartóság alá tartozó területek is előírhatnak. Lépjen kapcsolatba az eredeti gyártóval, kiskereskedővel vagy viszonteladóval a jelen motor kipufogórendszeréhez meghatározott szikrafogó beszerzése érdekében.

Távolítsa el a felgyűlt hulladékokat a kipufogódob és a henger környékéről. Ellenőrizze a kipufogódobot, hogy nincsenek-e rajta repedések, korróziós károsodások vagy más sérülések Szerelje le a szikrafogót, ha be van szerelve, és ellenőrizze a sérüléseit vagy a széntől származó eltömődését Ha sérülést talál, akkor üzemeltetés előtt szerelje be a pótkatrészt.



FIGYELMEZTETÉS

A pótkatrészek legyenek ugyanolyan kivitelűek, mint az eredeti alkatrészek, valamint az eredeti alkatrészekkel megegyező helyzetben kell felszerelni azokat. Más alkatrészek teljesítménye nem megfelelő lehet, a készülék károsodását vagy sérülést okozhatnak.

Motorolaj csere

Lásd ábra: 10, 11

A használt olaj veszélyes hulladék, gondoskodni kell a megfelelő elhelyezéséről. Ne dobja ki a háztartási szeméttel együtt. Tájékozódjon a helyi önkormányzatnál, szervizközpontnál vagy szakkereskedésnél a biztonságos gyűjtő-/újrahasznosító telepekről.

Olaj leeresztése

1. Kikapcsolt, de még meleg motornál, bontsa a gyújtógyertya kábel csatlakozását (D, 10 ábra) és tartsa távol a gyújtógyertyától (E).
2. Húzza ki az olajsztintjelző pálcát (A, 11 ábra).
3. Csavarja ki az olajleeresztő csavart (F, 11 ábra). Az olajat egy engedélyezett tartályba engedje le.

Megjegyzés: Különböző olajleeresztő csavarokat (G, 11 ábra) szerelnek a motorba.

4. Az olaj leeresztése után ütközésig húzza meg az olajleeresztő csavart (F, 11 ábra).

Olaj betöltése

- Ellenőrizze, hogy szintben van-e a motor.
- Tisztítsa meg az olajbetöltő nyílás környékét.
- Az olajkapacitással kapcsolatban a **Műszaki adatok** című részt nézze meg.

1. Húzza ki az olajsztintjelző pálcát (A, 11 ábra), és törölje le egy tiszta ringgyal.
2. Lassan töltsön olajat az olajtöltő nyílásba (C, 11 ábra). A túlfolyási pontig töltsen fel.
3. Dugja be az olajsztintjelző pálcát (A, 11 ábra). **Ne fordítsa el vagy húzza meg.**
4. Vegye ki a szintjelző pálcát és ellenőrizze az olajsztintet. A megfelelő olajsztint a szintjelző pálcá tele jelzésének felső részén található (B, 11 ábra).
5. Dugja vissza az olajsztintjelző pálcát (A, 11 ábra).
6. Csatlakoztassa gyújtógyertya vezetékét (D, 10 ábra) a gyújtógyertyához (E).

Fordulatszám-csökkentő olaj cseréje

Lásd ábra: 12, 13

6:1 fordulatszám-csökkentés (12 ábra)

Ha egy 6:1 fordulatszám-csökkentő egységgel van ellátva a motorja, akkor a következőképpen végezze a szervizelését.

1. Csavarja ki az olajbetöltő nyílás csavarját (A, 12 ábra) és az olajsztint ellenőrző nyílás csavarját (B).
2. Csavarja ki az olajleeresztő csavart (C, 12 ábra) és engedje le a csavart egy megfelelő gyűjtőedénybe.
3. Csavarja vissza és húzza meg az olajleeresztő csavart (C, 12 ábra).
4. Az újbóli feltöltéshez lassan töltsön hajtóműolajat (lásd a **Műszaki adatok** című részt) az olajbetöltő-csonkba (D, 12 ábra). Addig folytassa a töltést, amíg ki nem folyik az olaj az olajbetöltő-csonkból (E).

5. Dugja vissza az olajsztint ellenőrző nyílás csavarját (B, 12 ábra).
6. Csavarja be és húzza meg az olajbetöltő nyílás csavarját (A, 12 ábra).

Megjegyzés: Egy szellőzőnyílással (F) rendelkezik az olajbetöltő nyílás csavarja (A, 12 ábra), és az ábrának megfelelően a fogaskerékház fedelére kell csavarni.

2:1 fordulatszám-csökkentés (13 ábra)

Nem igényel olajcserét a 2:1 fordulatszám-csökkentő egység (G, 13 ábra).

Levegőszűrő szervizelése

Lásd ábra: 14, 15, 16



FIGYELMEZTETÉS



Az üzemanyag és gőzei rendkívül gyúlékony és robbanásveszélyes anyagok.

A tűz vagy a robbanás komoly égési sérüléseket vagy halált okozhat.

- Soha ne indítsa vagy járassa a motort, ha a előtétiszűrő (ha be van szerelve) vagy a levegőszűrő (ha be van szerelve) nincs a helyén.

MEGJEGYZÉS A szűrő tisztításához ne alkalmazzon sűrített levegőt vagy oldószereket. A sűrített levegő a szűrő meghibásodását, míg az oldószerek a szűrő anyagának oldását okozhatják.

A szervizkövetelmények a **Karbantartási táblázat** című részben találhatóak.

Szivacs- vagy papírszűrőt használnak a különböző modellek. Egyes modellek még egy mosható és újrahasználatos előtétiszűrővel vannak ellátva. Hasonlítsa össze ezen útmutató a motorjában használt típusal és ennek megfelelően végezze a szervizelést.

Szivacs levegőszűrő

1. Lazítsa meg a rögzítőket (A, 14 ábra).
2. Szerelje le a fedelet (B, 14 ábra).
3. Csavarja ki a rögzítőcsavart (D, 14 ábra) és vegye ki az alátétet (E).
4. A törmeléknek a porlasztóba esésének megakadályozására, körültekintően vegye le a szivacsbetétet (C, 14 ábra) levegőszűrő talpáról (G).
5. Vegye ki a tartócsészét (F, 14 ábra) a szivacsbetétből (C).
6. Folyékony mosószerrel és vízzel mossa meg a habszivacs elemet (C, 14 ábra). Egy tiszta anyagban nyomja szárazra a szivacsbetétet.
7. Itassa át a szivacsbetétet (C, 14 ábra) tiszta motorolajjal. A felesleg motorolaj eltávolításához egy tiszta anyagban szárítsa meg a szivacsbetétet.
8. Vegye ki a tartócsészét (F, 14 ábra) a szivacsbetétből (C).
9. Tegye a szivacsbetétet (C, 14 ábra) a levegőszűrő talpára (G) és a rúdára (H). Ügyeljen arra, hogy a szűrőbetét illeszkedjen a szűrő talpára, majd az alátéttel (E) és rögzítőcsavarral (D) rögzítse.
10. Szerelje fel a fedelet (B, 14 ábra) és a csavarral (A) rögzítse. Ügyeljen arra, hogy meg legyen ill. legyenek húzva a csavar(ok).

Papír levegőszűrő

1. Lazítsa meg a rögzítőket (A, 15 ábra).
2. Szerelje le a fedelet (B, 15 ábra).
3. Csavarja ki a rögzítőcsavart (E, 15 ábra).
4. A törmeléknek a porlasztóba esésének megakadályozására, körültekintően vegye le az előtétiszűrőt (D, 15 ábra) és a szűrőt (C) levegőszűrő talpáról (F).
5. A szennyeződés meglazításához óvatosan ütögesse a szűrőt (C, 15 ábra) egy kemény felülethez. Ha a szűrő túlságosan piszkos, cserélje ki új szűrőre.
6. Vegye ki az előszűrőt (D, 15 ábra), ha be van szerelve, a szűrőből (C).
7. Folyékony mosószerrel és vízzel mossa meg az előtisztítót (D, 15 ábra). Hagyja levegőn alaposan megszáradni az előszűrőt. **Ne** olajozza az előszűrőt.
8. Tegye vissza a száraz előszűrőt (D, 15 ábra), ha be van szerelve, a szűrőbe (C).
9. Tegye a tömítő alátétet (C, 15 ábra), a szűrőt és az előszűrőt (D), ha be van szerelve, a szűrőtalpra (F) és a menetes rúdra (G). Ügyeljen arra, hogy a szűrő illeszkedjen a szűrő talpára és rácsavarja a csavart (E).
10. Szerelje fel a fedelet (B, 15 ábra) és a rögzítőcsavarral (A) rögzítse. Ügyeljen arra, hogy meg legyen ill. legyenek húzva a csavar(ok).

Papír levegőszűrő

1. Csavarja ki a csavar(oka)t (D, 16 ábra).
2. Vegye le a fedelet (A, 16 ábra).
3. Vegyek ki az előtétiszűrőt (C, 16 ábra) a szűrőből (B).
4. A nyesedék fellazítására óvatosan ütögesse egy kemény felülethez a szűrőt (B, 16 ábra). Ha a szűrő túlságosan piszkos, cserélje ki új szűrőre.
5. Folyékony mosószeres vízzel mossa ki az előtétiszűrőt (C, 16 ábra), ha be van szerelve. Hagyja levegőn alaposan megszáradni az előtétiszűrőt. **Ne** olajozza az előtétiszűrőt.
6. Szerelje vissza az előtétiszűrőt (C, 16 ábra), ha be van szerelve, és a szűrőt (B).
7. Szerelje vissza a fedelet (A, 16 ábra) és rögzítse a csavarral, illetve csavarokkal (D). Ügyeljen arra, hogy meg legyen ill. legyenek húzva a csavar(ok).

Az üzemanyag-ellátó rendszer szervizelése

Lásd ábra: 17, 18



FIGYELMEZTETÉS

Az üzemanyag és gőzei rendkívül gyúlékony és robbanásveszélyes anyagok.

A tűz vagy a robbanás komoly égési sérüléseket vagy halált okozhat.

- Az üzemanyagot tartsa távol szikráktól, nyílt lángtól, gyújtólángtól, hőtől és más tűzforrásoktól.
- Rendszeresen ellenőrizze az üzemanyag-vezetékeket, a tartályt, tartálysapkát és szerelvényeket repedések vagy szivárgás szempontjából. Szükség esetén cserélje ki.
- Mielőtt üzemanyagszűrőt tisztít vagy cserél engedje le az üzemanyagtartály tartalmát, vagy zárja el az üzemanyag-elzáró csapot.
- Ha az üzemanyag kiömlik, mielőtt beindítaná a motort, várja meg, amíg az üzemanyag elpárolog.
- A pótalkatrészeknek ugyanolyanoknak kell lenniük, és ugyanarra a helyre kell beszerelni azokat, mint az eredeti alkatrészeket.

Üzemanyagszűrő, ha be van szerelve

1. Mielőtt üzemanyagszűrőt (A, 17 ábra) tisztít vagy cserél engedje le az üzemanyagtartály tartalmát, vagy zárja el az üzemanyag-elzáró csapot. Máskülönben kiszivároghat az üzemanyag és tüzet vagy robbanást okoz.
2. Fogót használjon a kapcsolón lévő fülek (B, 17 ábra) összenyomására, majd a kapcsokat csúsztassa el az üzemanyagszűrőtől (A). Csavarja meg és húzza el az üzemanyagszűrőtől az üzemanyag-vezetékeket (D).
3. Repedések és szivárgások szempontjából ellenőrizze az üzemanyag-vezetékeket (D, 17 ábra). Szükség esetén cserélje ki.
4. Az eredetivel megegyező típusúra cserélje ki az üzemanyagszűrőt (A, 17 ábra).
5. Az ábrának megfelelően bilincsekkel (C) rögzítse az üzemanyag-vezetékeket (D, 17 ábra).

Üzemanyagszűrő (ha be van szerelve)

1. Vegye le az üzemanyag-tartály sapkát (A, 18 ábra).
2. Vegye az üzemanyag-durvaszűrőt (B, 18 ábra).
3. Ha szennyezett az üzemanyag-durvaszűrő, akkor tisztítsa meg vagy cserélje ki. Az üzemanyag-durvaszűrő cseréjénél ügyeljen arra, hogy az eredetivel megegyező típusú üzemanyag-durvaszűrőt használjon.

A hűtőrendszer szervizelése



FIGYELMEZTETÉS

A járó motorok hőt termelnek. A motor alkatrészek, különösképpen a kipufogódob rendkívül felforrósodnak.

Ha hozzáérnek, komoly égési sérülések keletkezhetnek.

A gyúlékony hulladék, pl. lomb, fű, cserje stb. meggyulladhatnak.

- Hagyja, hogy a kipufogódob, a henger és a hűtőbordák lehűljenek, mielőtt megérintené őket.
- Távolítsa el a felgyűlt hulladékokat a kipufogódob és a henger környékéről.

MEGJEGYZÉS Vízet ne használjon a motor tisztításához. A víz szennyezheti az üzemanyag-ellátó rendszert. Kefét vagy száraz kendőt használjon a motor tisztításához.

Ez egy léghűtéses motor. A szennyeződés vagy a nyesedék akadályozhatja a légáramlást és a motor túlmelegedését okozhatja, mely gyengébb teljesítményt és rövidebb motor élettartamot okoz.

1. Egy kefével vagy száraz rongyot használjon a nyesedék légbeszívó területéről való eltávolítására.
2. Tartsa tisztán a kapcsoló rugókat és a kezelőszerveket.
3. A kipufogódob körüli és mögötti területet tartsa tisztán a gyúlékony nyesedéktől.
4. Ellenőrizze, hogy mentesek-e az olajhűtő bordák a szennyeződéstől és a nyesedéktől.

Egy idő elteltével a henger hűtőbordáin nyesedék gyűlhet össze és a motor túlmelegedését okozza. Ez a nyesedék a motor részleges szétszerelése nélkül nem tisztítható le. Egy Hivatalos Briggs & Stratton szervizállomáson ellenőriztesse és tisztítsa meg a léghűtő rendszert, ahogyan a **Karbantartási táblázatban** ajánlják.

Tárolás



FIGYELMEZTETÉS

Az üzemanyag és annak kipárolgása rendkívül gyúlékony és robbanékony.

A tűz vagy robbanás súlyos égési sérüléseket vagy halált okozhat.

Üzemanyag vagy olyan berendezés tárolásakor, amelyek üzemanyagtartályában üzemanyag van

- Tárolja távol kazánoktól, tűzhelyektől, vízmelegítőktől vagy más olyan berendezésektől, amelyek gyújtólánggal vagy más gyújtószerkezettel vannak ellátva, mivel ezek meggyújthatják az üzemanyag kipárolgást.

Üzemanyagrendszer

Lásd az ábrán: 19

A motort vízszintes helyzetben tárolja (normál üzemi pozícióban). Töltsen meg az üzemanyagtartályt (A, ábra 19) üzemanyaggal. Az üzemanyag tárolása érdekében ne töltsön üzemanyagot az üzemanyag betöltő nyílás nyaka (B) fölé.

Az üzemanyag állottá válhat, ha 30 napnál tovább tárolja. Az állott üzemanyag sav- és kátránylerakódást okoz az üzemanyag-ellátó rendszerben vagy a porlasztó fontos alkatrészein. Az üzemanyag frissen tartásához használjon **Briggs & Stratton Speciális formulájú üzemanyag kezelő és stabilizáló adalékot**, amelyet a Briggs & Stratton eredeti alkatrészeket értékesítő helyeken árulnak.

Nem szükséges leereszteni a benzint a motorból, ha üzemanyag-stabilizáló adalékot adott hozzá az utasításoknak megfelelően. Járassa a motort két (2) percen keresztül, hogy a stabilizáló adalék körbejárjon az üzemanyagrendszerben tárolás előtt.

Ha a motorban lévő benzint nem kezelték üzemanyag-stabilizáló adalékkal, akkor azt le kell engedni egy jóváhagyott tárolóedénybe. Addig járassa a motort, amíg az le nem áll üzemanyag hiányában. A frissesség megőrzéséhez javasolt az üzemanyag-stabilizáló adalék használata a tárolótartályban.

Motorolaj

Amíg még meleg a motor cseréljen motorolajat. Lásd a **Cserélje ki a motorolajat** című részt.

Hibakeresés

Segítségért forduljon a helyi viszonteladóhoz, keresse fel az **VanguardEngines.com** vagy hívja az **1-800-999-9333** (az Egyesült Államokban).

Műszaki adatok

Modell: 130000	
Lökettérfogat	12.48 ci (205 cc)
Hengerfurat	2.688 in (68,28 mm)
Lökethossz	2.200 in (55,88 mm)
Olaj befogadóképesség	20 - 22 oz (,59 - ,65 L)
Fordulatszám-csökkentő olaj típusa	80W-90
Fordulatszám-csökkentő olajtérfogata	4 oz (,12 L)
Gyertyahézag	.030 in (,76 mm)

Modell: 130000	
Gyújtógyertya nyomaték	180 lb-in (20 Nm)
Forgórész légrés	.010 - .014 in (,25 - ,36 mm)
Szívószelep hézag	.004 - .006 in (,10 - ,15 mm)
Kipufogószelep hézag	.009 - .011 in (,23 - ,28 mm)

Modell: 190000	
Lökettérfogat	18.63 ci (305 cc)
Hengerfurat	3.120 in (79,24 mm)
Lökethossz	2.438 in (61,93 mm)
Olaj befogadóképesség	26 - 28 oz (,77 - ,83 L)
Fordulatszám-csökkentő olaj típusa	SAE 30
Fordulatszám-csökkentő olajtérfogata	12 oz (,35 L)
Gyertyahézag	.030 in (,76 mm)
Gyújtógyertya nyomaték	180 lb-in (20 Nm)
Forgórész légrés	.010 - .014 in (,25 - ,36 mm)
Szívószelep hézag	.004 - .006 in (,10 - ,15 mm)
Kipufogószelep hézag	.004 - .006 in (,10 - ,15 mm)

A tengerszint felett 300 méterenként (1000 lábanként)) 3,5 %-kal, továbbá 25° C (77° F) felett 5,6° C-onként (10° F) 1%-kal csökken a motor teljesítménye. A motor maximum 15° értékű lejtőn működik kielégítően. A megengedett lejtőkre vonatkozólag lásd a berendezés kezelési útmutatóját.

Pótalkatrészek - Modell: 130000, 190000	
Pótalkatrész	Alkatrészszám
Szivacsos levegőszűrő (130000 modell, 14 ábra)	797378
Papírszűrő (130000 modell, 15 ábra)	797033
Előszűrő (130000 modell, 15 ábra)	798513
Papírszűrő (190000 modell, 15 ábra)	797032
Előszűrő (190000 modell, 15 ábra)	798795
Papír levegőszűrő (16 ábra)	474279
Előszűrő (16 ábra)	491435S
Speciális formulájú üzemanyag kezelő és stabilizáló adalék	100117, 100120
Előtét ellenállással szerelt gyújtógyertya	491055
Gyújtógyertya kulcs	19576, 5402
Gyújtógyertya tesztelő	19368

Javasoljuk, hogy a motor és motor alkatrészek bármely karbantartását és szervizelését Hivatalos Briggs & Stratton szervizállomáson végeztesse.

Teljesítménybesorolás: Az egyes benzinmotorok bruttó teljesítménybesorolásának címkézése a SAE (Society of Automotive Engineers) J1940 kódszámú szabványának (Kis méretű motorok teljesítmény- és nyomatékbesorolási eljárása) megfelelően történik, a besorolás pedig megfelel a SAE J1995 szabványnak. A nyomatékértékek 2600 RPM fordulatszám mellett értendők azoknál a motoroknál, amelyeknél „rpm” olvasható a címkén, illetve 3060 RPM fordulatszám mellett az összes többi motornál; a lóerőben megadott értékek 3600 RPM fordulatszám mellett értendők. A www.BRIGGSandSTRATTON.COM címen tekinthetők meg a bruttó teljesítménygörbék. A nettó teljesítményértékek felszerelt kipufogó- és légtisztítóval értendők, a bruttó teljesítményértékek ezen szerelések nélkül értendők. Az aktuális bruttó motorteljesítmény magasabb lesz, mint a nettó motorteljesítmény, és többek között befolyásolják a környezeti működési feltételek és a motorok variálhatósága is. Azon termékek különbözősége miatt, amelyekre a motorokat helyezik, a benzinmotor nem feltétlenül éri el a névleges bruttó teljesítményt, amikor egy adott eszközben használják. Ez a különbség többek között számos olyan tényezőnek tudható be, mint például a motor különböző alkotórészei (légtisztító, kipufogó, töltőrendszer, hűtés, karburátor, üzemanyag-szivattyú stb.), az alkalmazási korlátozások, a környezeti működési feltételek (hőmérséklet, páratartalom, tengerszint feletti magasság), illetve a motorok variálhatósága. Gyártási és kapacitáskorlátozások következtében a Briggs & Stratton ezt a motort egy magasabb teljesítménybesorolású motorral helyettesítheti.

Garancia

Briggs & Stratton motorgarancia

2017. januártól érvényes

Korlátozott jótállás

A Briggs & Stratton az itt meghatározott garanciaidő alatt díjmentesen megjavít minden anyaghibás, gyártási hibás vagy egyszerre anyag- és gyártási hibás alkatrészt. A javítandó termék vagy cserealkatrész szállítási költségeit a garancia szerint a vásárlónak kell fedeznie. A garancia csak az alábbiakban meghatározott időtartamok és feltételek szerint érvényes. A garanciával kapcsolatos ügyintézéshez keresse meg a legközelebbi hivatalos szakszervizt a honlapunk szakszerekesőjében a BRIGGSandSTRATTON.COM helyen. A vevőnek fel kell vennie a kapcsolatot a hivatalos márkaszervizzel, és biztosítania kell, hogy a hivatalos márkaszerviz tesztelhesse és megvizsgálhassa az adott terméket.

Nincs más kifejezett garancia. A vélelmezett garanciák, a forgalmazhatóságot és a kifejezett célra való megfelelést is beleértve, az alább felsorolt jótállási időszakra, vagy a törvény által megállapított időtartamra vonatkoznak. A járulékos vagy következményes károkért vállalt felelősség ki van zárva a törvény által megengedett időtartamra. Egyes államokban vagy országokban nem engedélyeznek arra vonatkozó korlátozásokat, hogy mennyi ideig tart valamely vélelmezett garancia és bizonyos államokban vagy országokban nem engedélyezik a kizárást vagy korlátozást a járulékos vagy következményes károkra vonatkozóan, így lehetséges, hogy a fenti korlátozás és kizárás önmagában nem vonatkozik. Jelen garancia meghatározott jogokat biztosít Önnek és elképzelhető, hogy egyéb jogai is vannak, ezek azonban államról államra és országról országra változnak ⁴.

Normál garanciális feltételek 1, 2, 3

Márka/terméknév	Fogyasztói felhasználás	Kereskedelmi felhasználás
Vanguard™; Kereskedelmi sorozat	36 hónap	36 hónap
Dura-Bore™ motorok öntöttvas persellyel	24 hónap	12 hónap
Az összes többi motor	24 hónap	3 hónap

¹ Ezek a normál garanciális feltételeink, de alkalmanként előfordulhat olyan további garanciális szolgáltatás, amely a kiadás idején még nem került meghatározásra. A motorjára vonatkozó garanciális feltételek jelenlegi listájának megismeréséhez keresse fel a BRIGGSandSTRATTON.COM webhelyet vagy vegye fel a kapcsolatot egy hivatalos Briggs & Stratton szervizállomással.

² Nincs garancia az olyan motorokra, melyeket közmű helyett elsődlegesen áramtermelő berendezésekben vagy kereskedelmi célú készenléti generátorokban használnak. Versenyeken vagy kereskedelmi, illetve bérelt pályákon használt motorokra a garancia nem érvényes.

³ Vanguard, készenléti generátorokon telepítve: 24 hónap fogyasztói használat esetén, nincs kereskedelmi használatra garancia. Vanguard, használati gépekre telepítve: 24 hónap fogyasztói használat esetén, 24 hónap kereskedelmi használat esetén. Kereskedelmi sorozat 2017. július előtti gyártási dátummal, 24 hónap fogyasztói használat, 24 hónap kereskedelmi használat.

⁴ Ausztrália – Termékeinkre olyan garanciák vonatkoznak, amelyek nem zárhatók ki az ausztráliai fogyasztóvédelmi törvény értelmében. Ön a súlyosabb hibák esetében cseréire vagy pénzvisszatérítésre, minden más reálisan előrelátható veszteségért vagy kárért pedig kártérítésre jogosult. Akkor is joga van a termék javítására vagy cseréjére, ha a termékek minősége nem megfelelő, és a meghibásodás nem minősül súlyosnak. Garanciális szervizszolgáltatás igénybevétele céljából keresse meg a legközelebbi hivatalos szervizállomást a BRIGGSandSTRATTON.COM webhelyen viszonteladói keresési térképünk segítségével, vagy hívja az 1 300 274 447 számot, vagy küldjön e-mailt a salesenquires@briggsandstratton.com.au címre, vagy levelet a Briggs & Stratton Australia Pty Ltd, 1 Moorebank Avenue, Moorebank, NSW, Australia, 2170 címre.

A garanciális időszak az első kiskereskedelmi vagy kereskedelmi fogyasztó által történő megvásárlás napján kezdődik. A „fogyasztói felhasználás” a kiskereskedelmi fogyasztó által való személyes lakóhelyi háztartási felhasználást jelenti. A „kereskedelmi felhasználás” az összes egyéb felhasználást jelenti, beleértve a kereskedelmi, jövedelemtermelő és bérleti célú felhasználást. Ha egy motor egyszer már kereskedelmi használatba került, akkor ezt követően a jelen garancia szempontjából kereskedelmi felhasználású motornak kell tekinteni.

Őrizze meg a vásárlást igazoló nyugtát. Ha nem igazolja az eredeti beszerzés dátumát a garanciális szerviz igénylésének időpontjában, akkor a garanciális időszak meghatározásához a termék gyártási időpontját veszik figyelembe. Nincs szükség termékgisztrációra a Briggs & Stratton márkájú termékek garanciajogának érvényesítéséhez.

Az Ön garanciájáról

Ez a garancia csak a motorral kapcsolatos anyag- és/vagy gyártási hibákra vonatkozik, nem pedig annak a berendezésnek a cseréjére vagy árának visszatérítésére, amelyre az illető motor fel van szerelve. A normál karbantartáshoz szükséges anyagokra, feltuningolásokra, beállításokra vagy normál elhasználódásra nem vonatkozik a garancia. Hasonlóképpen nem vonatkozik a garancia arra az esetre, ha a motort megváltoztatták

vagy módosították, vagy ha megrongálták vagy eltávolították a motorszámot. Nem vonatkozik a garancia az alábbi okok miatti motorkárookra vagy teljesítményproblémákra:

1. Nem eredeti Briggs & Stratton alkatrészek használata;
2. A motor elégtelen, szennyezett vagy nem megfelelő konzisztencia besorolású kenőolajjal való működtetése;
3. Szennyezett vagy állott üzemanyag, 10%-nál nagyobb etanoltartalmú benzin vagy alternatív üzemanyagok használata, mint cseppfolyósított szénhidrogén vagy földgáz, olyan motorokban, melyeket eredetileg nem ilyen üzemanyagokkal való működésre tervezett/gyártott a Briggs & Stratton;
4. A motorba jutott szennyeződés a levegőszűrő nem megfelelő karbantartása vagy visszaszerelése miatt;
5. Ráütés egy tárgyra a forgóképes fűnyíró késénvel, laza vagy nem megfelelően felszerelt késadapterek, turbinakerekek vagy más főtengellyel összekötött eszközök, továbbá túl szoros ékszíj;
6. Nem a Briggs & Stratton által gyártott tartozékok vagy részesegységek, mint tengelykapcsolók, sebességváltók, berendezés kezelőszervek stb;
7. Lenyírt fűdarabok, szennyeződés, nyesedék vagy rágcsáló bűvőhelyanyagai miatti túlmelegedés, melyek eldugaszolják illetve eltömítik a hűtőbordákat vagy a lendkerék környékét, továbbá a motor megfelelő szellőzés nélküli működtetése;
8. Túl nagy sebességgel történő működtetés, laza motorrögzítés, laza illetve kiegyensúlyozatlan vágókések vagy turbinák, továbbá a berendezés alkotóelemeinek a főtengelyhez való nem megfelelő csatlakoztatása miatt fellépő túlzott vibráció;
9. Nem rendeltetésszerű használat, a rendszeres karbantartás hiánya, a berendezés szállítása, kezelése vagy raktározása, ill. nem megfelelő motor beszerelés.

A jótállási szolgáltatás kizárólag a Briggs & Stratton jóváhagyott forgalmazó szervizeiben vehető igénybe. Keresse meg a legközelebbi hivatalos szervizállomást viszonteladó keresési térképünk segítségével a BRIGGSandSTRATTON.COM webhelyen, vagy hívja az 1-800-233-3723 számot (az USA-ban).

80004537 (Rev. C)

Not for
Reproduction

Šioje instrukcijoje yra saugumo informacija apie pavojus ir riziką, kuriuos kelia varikliai, ir kaip jų išvengti. Joje taip pat yra informacija apie teisingą variklio naudojimą ir aptarnavimą. Kadangi „Briggs & Stratton“ nežino, kurioje įrangoje bus naudojamas tam tikras variklis, turite atidžiai perskaityti ir suprasti šią ir įrangos instrukcijas. **Išsaugokite šią originalią instrukciją ateičiai.**

Pastaba: Šiame vadove esantys paveikslėliai ir iliustracijos yra tik pavyzdžiai, jie gali skirtis nuo konkretaus modelio. Jeigu kiltų klausimų, susisiekite su savo atstovu.

Norėdami įsigyti atsargines dalis arba gauti techninės pagalbos, šioje vietoje užsirašykite variklio modelį, tipą, kodą ir įsigijimo datą. Šie numeriai yra ant jūsų variklio (žiūrėkite skyrių **Funkcijos ir valdikliai**).

Pirkimo data:	
Variklio modelis – tipas – apdaila	
Variklio serijos numeris	

Ieškokite 2D brūkšninio kodo tam tikrose varikliuose. Peržiūrint 2D atpažįstančiais įrenginiais, kodas nukreips į mūsų svetainę, kur galite rasti šio gaminio palaikymo informaciją. Taikomi duomenų persiuntimo įkainiai. Kai kuriose šalyse informacija internete gali būti neprieinama.



Informacija apie atliekų perdirbimą

		Visą pakuotės medžiagą, panaudotą alyvą, akumuliatorius bei baterijas būtina perdirbti pagal galiojančius vyriausybės nuostatus.
--	--	--

Operatoriaus sauga

Saugos įspėjimo ženklas ir įspėjamieji pranešimai

Saugos įspėjimo ženklas ir įspėjamieji pranešimai

Saugos įspėjimo ženklas yra naudojamas apibūdinti saugumo informaciją apie pavojus, kurių pasekmė gali būti asmens trauma. Žodžiai (PAVOJUS, ĮSPĖJIMAS, PERSPĖJIMAS) naudojami su ženklais apibūdinti galimybę gauti kelias traumas. Taip pat pavojaus ženklas gali būti naudojamas pavojaus tipui apibūdinti.

PAVOJUS reiškia grėsmę, kuri, jos nevengiant, **baigsis mirtimi arba sunkiu asmens sužeidimu.**

ĮSPĖJIMAS reiškia pavojų, kuris, jo nevengiant, **gali baigtis mirtimi arba sunkiu asmens sužeidimu.**

PERSPĖJIMAS reiškia pavojų, kuris, jo nevengiant, **gali sukelti lengvą ar vidutinį sužalojimą.**

PASTABA reiškia situaciją, kuri galėtų baigtis žala gaminiui.

Pavojaus ženklai ir jų reikšmės

Ženklas	Reikšmė	Ženklas	Reikšmė
	Saugos informacija apie pavojus, kurie gali baigtis susižalojimu.		Prieš eksploatuodami įrenginį arba prieš atlikdami jo techninės priežiūros darbus, perskaitykite naudojimo instrukciją ir įsisavinkite joje pateiktą informaciją.
	Gaisro pavojus		Sprogimo pavojus
	Elektros smūgio pavojus		Nuodingų dujų pavojus
	Karštų paviršių keliamas pavojus		Triukšmo pavojus – ilgai naudojant rekomenduojamos ausų apsaugos.
	Svaidomų objektų pavojus – dėvėkite akių apsaugas.		Sprogimo pavojus
	Nušalimo pavojus		Atatrankos pavojus
	Amputacijos pavojus – judančios dalys		Cheminis pavojus
	Karščio pavojus		Korozinis

Saugumo pranešimai

ĮSPĖJIMAS

Tam tikrose šio gaminio sudėtinėse dalyse ir su jomis susijusiuose prietaisuose yra cheminių medžiagų, kurios Kalifornijos valstijos duomenimis sukelia vėžį, apsigimimus ir kitokią reprodukcinę žalą. Po darbo būtinai nusiplaukite rankas.

ĮSPĖJIMAS

Variklio išmetamosios dujos turi savo sudėtyje cheminių medžiagų, kurios Kalifornijos valstijos duomenimis sukelia vėžį, apsigimimus ir kitokią reprodukcinę žalą.

ĮSPĖJIMAS

„Briggs & Stratton“ varikliai nėra skirti ir negali būti naudojami kaip energijos šaltinis: pramoginiuose ar sportiniuose kartinguose; vaikiškuose, pramoginiuose ar sportiniuose keturračiuose (ATV); motocikluose; transporto priemonėse su oro pagalve; aviacijos gaminiuose; arba varžyboms naudojamos mašinos, kurių nepatvirtino „Briggs & Stratton“. Informacijos apie lenktynėms skirtus gaminius rasite svetainėje www.briggsracing.com. Dėl naudojimo darbiniuose arba gretimų sėdinių keturračiuose kreipkitės į „Briggs & Stratton“ variklių taikymo centrą, 1-866-927-3349. Neteisingai panaudojus variklį, galima patirti traumą arba žūtį.

ĮSPĖJIMAS

Degalai ir jų garai yra nepaprastai degūs ir sprogūs.

Ugnis arba sprogdimas gali nudeginti arba sukelti mirtį.

Pildami benzina

- Prieš atsukdami degalų bako dangtelį, išjunkite variklį ir palaukite bent dvi minutes, kad jis atvėstų.
- Pilkite degalus į baką lauke arba labai gerai vėdinamoje patalpoje.
- Neperpildykite degalų bako. Kadangi degalai gali plėstis, nepilkite virš apatinės kaklelio ribos.
- Saugokite degalus nuo kibirkščių, atviros ugnies, nuolat įjungtų dujų degiklių, šilumos ir kitų uždegimo šaltinių.
- Dažnai tikrinkite degalų linijas, degalų bako dangtelį ir montavimo dalis, ar jos nenusidėvėję arba neįskilę. Jei reikia, jas pakeiskite.
- Jeigu degalai išsilietų, prieš užvesdami variklį, palaukite, kol jie išgaruos.

Užvesdami variklį

- Įsitikinkite, kad uždegimo žvakė, duslintuvas, degalų bako dangtelis ir oro filtras (jei įrengtas) yra sumontuoti ir tinkamai įtvirtinti.
- Neužveskite variklio, kai uždegimo žvakė yra išimta.
- Jeigu variklis užlietas, oro sklendę (jeigu yra) nustatykite į padėtį OPEN / RUN (atidaryta / eiga), pastumkite droselį (jeigu yra) į padėtį FAST (greitai) ir sukite variklį tol, kol jis užsives.

Įrenginio naudojimas

- Neverskite variklio arba įrangos ant šono, nes gali išsilieti kuras.
- Nebandykite oro sklende sustabdyti variklio.
- Niekada neužveskite ir nenaudokite variklio be oro valymo bloko (jei įrengtas) arba oro filtro (jeigu įrengtas).

Keisdami alyvą

- Išleidžiant alyvą iš viršutinio įpylimo vamzdelio, degalų bakas privalo būti tuščias, kitaip degalai gali ištekėti ir sukelti gaisrą arba sprogimą.

Įrangos pavertimas aptarnavimui atlikti

- Atlikdami techninę priežiūrą, kai įrangą būtina paversti, įsitikinkite, kad degalų bakas yra tuščias, nes gali išsilieti degalai ir įvykti gaisras arba sprogimas.

Įrenginio gabenimas

- Transportuokite su TUŠČIU degalų baku arba UŽDARYTU degalų išjungimo vožtuvu.

Degalų arba įrenginio su pilnu degalų baku laikymas

- Saugokite atokiai nuo krosnių, viryklių, vandens šildytuvų ar kitų buitinių prietaisų su atvirais dujų degikliai arba kitų uždegimo šaltinių, nes jie gali uždegti degalų garus.



ĮSPĖJIMAS

Užvedant variklį, kyla kibirkščiavimas.

Kibirkštis gali uždegti netoliese esančius degius garus arba dujas.

Dėl to gali kilti sprogimas ir gaisras.

- Jeigu šalia yra gamtinių arba suskystintųjų dujų nuotėkis, neužveskite variklio.
- Nesuslėkite užvedimui skirtų skysčių, nes garai yra degūs.



ĮSPĖJIMAS

NUODINGŲ IŠMETAMŲJŲ DUJŲ KELIAMAS PAVOJUS. Variklio išmetamosiose dujose yra anglies monoksido – nuodingų dujų, kurios per kelias minutes gali sukelti mirtį. Jūs **NEGALITE** jų pamatyti, užuosti arba pajusti jų skonio. **Net jeigu neužuodžiate išmetamųjų dujų kvapo, vis tiek galite būti paveikti anglies monoksido dujų.** Jeigu naudodami šį gaminį pajustumėte pykinimą, galvos svaigimą ar silpnumą, **NEDELSDAMI** jį išjunkite ir pasistenkite įkvėpti gaivaus oro. Kreipkitės į gydytoją. Galbūt esate apsinuodiję anglies monoksidu.

- Naudokite šį gaminį TIK lauke kuo toliau nuo langų, durų arba vėdinimo angų tam, kad sumažintumėte anglies monoksido susikaupimo ir patekimo į žmonių buvimo vietas riziką.
- Įrenkite akumulatorinius anglies monoksido detektorius arba elektrinius anglies monoksido detektorius su atsarginiu akumulatoriumi, vadovaudamiesi gamintojo nurodymais. Dūmų detektoriai negali aptikti anglies monoksido dujų.
- **NENAUDOKITE** šio gaminio namuose, garažuose, rūsiuose, tuneliuose, angaruose ar kitose dalinai uždaroje patalpoje, net ir tuo atveju, jei jos vėdinamos ventiliatoriais ar atidarius duris ir langus. Tokiose vietose gali susikaupti anglies monoksidas, kuris jose gali išbūti daug valandų po to, kai gaminyje jau buvo išjungtas.
- **VISADA** orientuokite gaminį pavėjui ir nukreipkite variklio išmetamųjų dujų vamzdį nuo žmonių.



ĮSPĖJIMAS

Dėl atatranks starterio laido gali stipriai patraukti jūsų ranką link variklio, greičiau nei spėsite jį paleisti.

Dėl to gali lūžti ar įskilti kaulai, atsirasti sumušimų arba sausgyslių patempimų.

- Norėdami užvesti variklį, lėtai traukite už starterio laidą, kol pajusite pasipriešinimą, o tada staigiu ir greitu judesiu užveskite variklį, kad išvengtumėte atatranksos.
- Prieš užvesdami variklį, pašalinkite visą pašalinę įrangą ir variklio apkrovą.
- Tiesiogiai prijungti įrangos komponentai, tokie kaip propeleriai, skriemuliai, siurbliaračiai, krumpļiaračiai ir t. t., turi būti saugiai pritvirtinti.



ĮSPĖJIMAS

Besisukančios dalys gali paliesti ir įtraukti rankas, kojas, plaukus, aprangą ar aprangos detales.

Jos gali smarkiai įplėšti audinius arba nutraukti galūnę.

- Naudokitės įranga tik esant apsaugoms savo vietoje.
- Laikykite rankas ir kojas toliau nuo besisukančių dalių.
- Susiriškite ilgus plaukus ir nusiimkite papuošalus.
- Nesivilkite laisvų rūbų su laisvai kabančiais diržais arba kitais aksesuarais, kuriuos variklis galėtų įtraukti.



ĮSPĖJIMAS

Varikliui veikiant, išskiriama šiluma. Variklio dalys, ypač duslintuvas, labai įkaista.

Prisilietus galima stipriai nudegti.

Degios šiukšlės, pavyzdžiui, lapai, žolė, krūmai ir kt., gali užsiliepsnoti.

- Prieš liedami duslintuvą, variklio cilindrą ir rotoriaus briaunas, palaukite, kol šios dalys atvės.
- Nuvalykite nešvarumus aplink duslintuvą ir cilindrą.
- Kalifornijos valstybinių išteklių kodekso 4442 skyrius draudžia naudoti šį variklį mišku, krūmynais ar žole dengtose vietose, jei variklio išmetimo sistemoje neįrengtas kibirkščių stabdiklis, atitinkantis 4442 skyriaus reikalavimus ir yra tinkamas naudoti. Kitose valstijose gali galioti panašūs įstatymai. Kreipkitės į originalios įrangos gamintoją, platintoją ar atstovą, kad įsigytumėte kibirkščių gaudyklį, pritaikytą jūsų išmetimo sistemai, įrengtai variklyje.



ĮSPĖJIMAS

Netyčinė kibirkštis gali sukelti gaisrą arba elektros smūgį.

Netyčinis užvedimas gali baigtis galūnių įtraukimu, traumuojančia amputacija arba plėštinėmis žaizdomis.

Gaisro pavojus

Prieš atlikdami reguliavimo arba remonto darbus

- Atjunkite uždegimo žvakės laidą ir laikykite jį atokiai nuo uždegimo žvakės.
- Atjunkite akumulatoriaus neigiamą gnybtą (taikytina tik elektra užvedamiems varikliams).
- Naudokite tik darbu tinkamus įrankius.
- Nelieskite variklio regulatoriaus spyruoklės, jungčių ir kitų dalių, norėdami padidinti variklio sūkius.
- Keičiamos atsarginės dalys privalo būti to paties dizaino ir sumontuotos toje pačioje padėtyje kaip ir originalios dalys. Kitos dalys gali veikti netinkamai, sugadinti įrenginį ir sukelti sužalojimą.
- Nedaužykite smagračio plaktuku arba kietu daiktu, nes vėliau darbo metu jis gali subyrėti.

Tikrindami, ar kyla kibirkštis

- Naudokite patvirtintą uždegimo žvakės bandiklį.
- Netikrinkite, ar kyla kibirkštis, kai uždegimo žvakė yra išimta.

Funkcijos ir valdikliai

Variklio valdikliai

Palyginkite paveikslėlį (pav. 1, 2, 3, 4), kuriame pavaizduotas variklis, ir savo variklį, kad susipažintumėte su jo savybėmis ir valdikliais.

- A. Variklio identifikacijos numeriai **Modelis - Tipas - Kodas**
- B. Uždegimo žvakė
- C. Degalų bakas ir dangtelis
- D. Oro filtras
- E. Rankinio starterio rankena
- F. Alyvos pildymas ir alyvos lygio matuoklis
- G. Alyvos išleidimo kaištis
- H. Duslintuvas, duslintuvo apsauga (jei įrengta), kibirkščių gaudiklis (jei įrengtas)
- I. Droselio valdiklis
- J. Greičio reguliatorius (jeigu yra)
- K. „TransportGuard™“ – degalų ir uždegimo valdiklis
- L. Oro įsiurbimo grotelės
- M. Mažinimo pavarų blokelis (jei įrengtas)
- N. Išjungimo jungiklis (jeigu yra)
- O. Elektrinio starterio raktelis (jeigu įrengtas) ¹

¹ Tam tikri varikliai ir įranga turi nuotolinio valdymo pultelius. Jų padėtį ir veikimo būdą galite rasti įrangos naudojimo instrukcijoje.

Variklio valdymo ženklai ir jų reikšmės

Ženklas	Reikšmė	Ženklas	Reikšmė
	Variklio apsukos – GREITOS		Variklio apsukos – LĖTOS
	Variklio apsukos – SUSTABDYTOS		ON / OFF (įjungtas / išjungtas)
	Variklio užvedimas – droselinė sklendė UŽDARYTA		Variklio užvedimas – droselinė sklendė ATIDARYTA
	Degalų bako dangtelis Degalų tiekimo atjungimo sklendė – ATIDARYTA		Degalų tiekimo atjungimo sklendė – UŽDARYTA
	Degalų lygis – maksimalus Neperpildykite		

Naudojimas

Rekomendacijos dėl alyvos

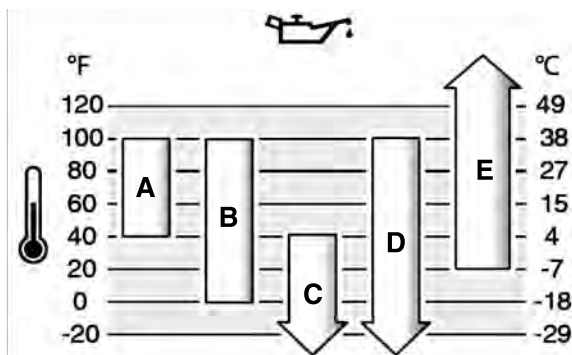
Alyvos talpa: Žr. *Specifikacijos*.

PASTABA

Variklis iš „Briggs & Stratton“ gamyklos pristatomas be alyvos. Įrangos gamintojai arba pardavėjai galėjo pripilti alyvos į variklį. Prieš pirmą kartą užvesdami variklį, būtinai patikrinkite alyvos lygį ir pripilkite alyvos, kaip nurodyta šioje naudojimo instrukcijoje. Jeigu užvesite variklį nepripilę alyvos, jis bus nepataisomai sugadintas ir garantija jam nebegalios.

Kad mašina veiktų optimaliai, rekomenduojama naudoti „Briggs & Stratton“ garantija sertifikuotas alyvas. Galima naudoti kitų gamintojų aukštos kokybės alyvas, jeigu joms galioja techninės priežiūros SF, SG, SH, SJ arba aukštesnės klasės klasifikacija. Nenaudokite specialių priedų.

Varikliui tinkama alyvos klampa priklauso nuo oro temperatūros. Norėdami išsirinkti tinkamiausią klampą pagal numatomos oro temperatūros diapazoną, vadovaukitės pateikta lentele. Daugelio lauke naudojamų elektrinių įrenginių varikliai tinkamai veikia naudojant 5W-30 sintetinę alyvą. Jei įrenginiai naudojami esant aukštai temperatūrai, geriausia apsaugą užtikrina „Vanguard™ 15W-50“ sintetinė alyva.



A	SAE 30 - Jeigu SAE 30 alyva yra naudojama žemiau negu 40 ° F (4 ° C) temperatūroje, variklį bus sunkiau užvesti.
B	10W-30 - Naudojant 10W-30 standarto alyvą esant aukštesnei nei 80 ° C (27 ° C) oro temperatūrai, gali padidėti alyvos sąnaudos. Dažniau tikrinkite alyvos lygį.
C	5W-30
D	Sintetinė 5W-30
E	„Vanguard™“ sintetinė 15W-50

Alyvos lygio tikrinimas

Žiūrėkite paveikslėlį: 5

Prieš pripildami daugiau alyvos arba prieš tikrindami alyvos lygį

- Įsitinkinkite, kad variklis yra horizontalioje padėtyje.
- Nuvalykite purvą nuo alyvos pildymo vietos.

1. Ištraukite lygio matuoklį (A, 5 pav.) ir nušluostykite jį švaria šluoste.
2. Įstatykite alyvos lygio matuoklį (A, 5 pav.). **Nesukite ir neveržkite.**
3. Ištraukite matuoklį ir patikrinkite alyvos lygį. Teisingas alyvos lygis yra lygio matuoklio pilno bako indikatorius viršuje (B, 5 pav.).
4. Jeigu alyvos lygis žemas, lėtai pripilkite alyvos į variklio alyvos pildymo angą (C, 5 pav.). Įpilkite iki kaklelio ribos.
5. Vėl įstatykite ir priveržkite lygio matuoklį (A, 5 pav.).

Apsaugos sistema nuo nepakankamo alyvos kiekio (jeigu yra sumontuota)

Kai kuriuose varikliuose yra sumontuotas žemo alyvos lygio jutiklis. Jeigu alyvos lygis žemas, jutiklis arba aktyvina įspėjamąją lemputę, arba sustabdo variklį. Sustabdykite variklį ir atlikite šiuos veiksmus prieš vėl paleisdami variklį.

- Įsitinkinkite, kad variklis yra horizontalioje padėtyje.
- Patikrinkite alyvos lygį. Žiūrėkite skyrį **Alyvos lygio tikrinimas**.
- Jeigu alyvos lygis žemas, įpilkite reikiamą kiekį alyvos. Užveskite variklį ir įsitinkinkite, kad įspėjamoji lemputė (jeigu įrengta) nešviečia.
- Jeigu alyvos lygis nėra žemas, neužveskite variklio. Dėl informacijos, kaip spręsti nesklaidumus, susijusius su alyva, kreipkitės į įgaliotąjį „Briggs & Stratton“ atstovą.

Degalų rekomendacijos

Degalai turi atitikti šiuos reikalavimus:

- tai turi būti švarūs, neseni, neetiluiotas benzinai.
- Mažiausias oktaniškas skaičius 87 / 87 AKI (91 RON). Naudojimas aukštikalnėse, žiūrėkite žemiau.
- Benzinai, kurio sudėtyje yra iki 10 % etanolio (gasoholio), yra priimtinas.

PASTABA Nenaudokite nepatvirtinto benzino, pavyzdžiui, E15 ir E85. Nebandykite įmaišyti alyvos į benziną arba perdaryti variklį, kad galėtų veikti su kito tipo degalais. Dėl netinkamo degalų vartojimo variklio dalys bus sugadintos ir Jūs neteksite garantijos.

Kad apsaugotumėte degalų sistemą nuo dervų susiformavimo, įmaišykite į degalus degalų stabilizatorius. Žiūrėkite **Laikymas**. Visi degalai nėra vienodi. Jeigu atsiranda užvedimo arba charakteristikų problemų, pakeiskite degalų tiekėją arba gamintoją. Šis variklis skirtas veikti varomas benzinu. Šiam varikliui taikoma išmetamųjų teršalų kontrolės sistema yra EM (variklio pakeitimai).

Didelis aukštis

Didesniame kaip 5 000 pėdų (1 tūkst. 524 metrų) aukštyje rekomenduojama naudoti degalus, kurių oktaninis skaičius – mažiausiai 85 / 85 pagal AKI (89 RON).

Karbiuratorinius variklius dideliame aukštyje reikia sureguliuoti, kad jie išlaikytų savo charakteristikas. Nesureguliuavus, naudojimo metu pablogės charakteristikos ir padidės degalų sąnaudos bei išmetamųjų teršalų kiekis. Dėl informacijos, kaip nustatyti įrenginį darbui dideliame aukštyje, kreipkitės į įgaliotąjį „Briggs & Stratton“ techninės priežiūros atstovą. Naudojant variklį žemesniame nei 2 500 pėdų (762 metrų) aukštyje, reguliavimas dėl aukščio nerekomenduojamas.

Variklių su elektroniniu degalų įpurškimu (EFI) reguliuoti dėl didelio aukščio nereikia.

Degalų pildymas

Žiūrėkite paveikslėlį: 6



Degalai ir jų garai yra labai degūs ir gali sprogti.

Ugnis arba sproginimas gali nudeginti arba sukelti mirtį.

Pildami degalus

- Prieš atsukdami degalų bako dangtelį, išjunkite variklį ir palaukite bent 2 minutes, kad jis atvėstų.
 - Pilkite degalus į baką tik lauke arba labai gerai vėdinamoje patalpoje.
 - Neperpildykite degalų bako. Kadangi degalai gali plėstis, nepilkite virš apatinės kaklelio ribos.
 - Saugokite degalus nuo kibirkščių, atviros ugnies, nuolat įjungtų dujų degiklių, šilumos ir kitų uždegimo šaltinių.
 - Dažnai tikrinkite degalų linijas, degalų bako dangtelį ir montavimo dalis, ar jos nesusidėvėję arba neįskilę. Jei reikia, pakeiskite jį.
 - Jeigu degalai išsilietų, prieš užvesdami variklį, palaukite, kol jie išgaruos.
1. Nuvalykite aplink degalų dangtelį esantį purvą ir nešvarumus. Atsukite degalų bako dangtelį.
 2. Pripildykite degalų baką (A, pav. 6) degalais. Kadangi degalai gali plėstis, nepilkite virš apatinės kaklelio ribos (B).
 3. Užsukite degalų bako dangtį.

Variklio užvedimas ir sustabdymas

Žr. paveikslėlį: 7, 8

Variklio užvedimas



Greitas starterio laido įtraukimas (atatranka) patrauks jūsų ranką link variklio greičiau, nei jūs galėsite jį paleisti.

Dėl to gali būti sulaužyti, įskelti kaulai, gali atsirasti sumušimų arba sausgyslių patempimų.

- Užvesdami variklį, lėtai traukite starterio laidą tol, kol pajusite pasipriešinimą, tuomet staigiai truktelėkite, kad išvengtumėte atatrankos.



Degalai ir jų garai yra labai degūs ir gali sprogti.

Ugnis arba sproginimas gali nudeginti arba sukelti mirtį.

Užvesdami variklį

- Įsitikinkite, kad uždegimo žvakė, duslintuvas, degalų bakas ir oro filtras (jei įrengtas), yra sumontuoti ir tinkamai užtvirtinti.

- Neužveskite variklio, kai uždegimo žvakė yra išimta.
- Jeigu variklis užlietas, nustatykite oro sklendę (jeigu įrengta) į padėtį OPEN arba RUN (atidaryti / paleisti), pastumkite droselį į padėtį FAST (greitas) ir sukite variklį tol, kol jis užsives.



NUODINGŲ IŠMETAMŲJŲ DUJŲ KELIAMAS PAVOJUS. Variklio išmetamosiose dujose yra anglies monoksido – nuodingų dujų, kurios per kelias minutes gali sukelti mirtį. Jūs NEGALITE jų pamatyti, užuosti arba pajausiti jų skonio. Net jeigu neužuodiate išmetamųjų dujų kvapo, Jūs vis tiek galite būti paveikti anglies monoksido dujomis. Jeigu naudodami šį gaminį pajaustumėte pykinimą, galvos svaigimą arba silpnumą, TUOJ PAT jį išjunkite ir pasistenkite įkvėpti gaivaus oro. Kreipkitės į gydytoją. Galite apsinuodyti anglies monoksidu.

- Naudokite šį produktą TIK lauke kuo toliau nuo langų, durų arba ventilacijos angų, tam, kad sumažintumėte anglies monoksido susikaupimo ir patekimo riziką į uždarus erdves.
- Įrenkite akumulatorinius anglies monoksido detektorius arba elektrinius anglies monoksido detektorius su atsarginiu akumuliatoriumi, vadovaudamiesi gamintojo nurodymais. Dūmų detektoriai negali aptikti anglies monoksido dujų.
- NENAUDOKITE šio gaminio namuose, garažuose, rūsiuose, tuneliuose, angaruose ar kitose iš dalies uždaroje patalpoje, net ir tuo atveju, jei jos vėdinamos ventilatoriais ar atidarius duris ir langus. Tokiose vietose gali susikaupti anglies monoksidas, kuris jose gali išbūti daug valandų po to, kai gaminys jau buvo išjungtas.
- VISADA orientuokite gaminį pavėjui ir nukreipkite variklio išmetamųjų dujų vamzdį nuo uždarytų plotų.

PASTABA Variklis iš „Briggs & Stratton“ gamyklos pristatomas be alyvos. Prieš užvesdami variklį, būtinai pripilkite alyvos, kaip nurodyta šioje naudojimo instrukcijoje. Jeigu užvesite variklį nepripilę alyvos, jis bus nepataisomai sugadintas ir garantija neteks galios.

Pastaba: Kai kurioje įrangoje montuojami nuotoliniai valdymo įrenginiai. Jų padėtį ir veikimo būdą galite rasti įrangos naudojimo instrukcijoje.

1. Patikrinkite variklio alyvą. Žiūrėkite skyrių **Alyvos lygio tikrinimas**.
2. Įsitikinkite, kad įrangos pavaros mechanizmai, jeigu tokie yra sumontuoti, yra atjungti.
3. Nustatykite degalų ir uždegimo valdiklį (A, pav. 7), jei yra, ir įjungimo (on) arba paleidimo (start) padėtį.
4. Sklendės valdiklį (B, pav. 7), jei yra, nustatykite į padėtį „Fast“ (greitas). Variklį užveskite įjungę padėtį „Fast“ (greitas).
5. Nustatykite oro sklendės valdiklį (C, pav. 7, 8) į uždarytą padėtį.

Pastaba: Droselinė sklendė, užvedant pašildytą variklį, dažniausiai nereikalinga.

6. Nustatykite sustabdymo jungiklį (E, pav. 8), jei yra, į įjungimo (on) padėtį.
7. **Rankinis starteris, jeigu yra:** Tvirtai laikykite starterio laido rankeną (D, pav. 7, 8). Lėtai traukite starterio laido rankeną tol, kol pajusite pasipriešinimą, tuomet staigiai truktelėkite.



Greitas starterio laido įtraukimas (atatranka) patrauks jūsų ranką link variklio greičiau, nei jūs galėsite jį paleisti. Dėl to gali būti sulaužyti, įskelti kaulai, gali atsirasti sumušimų arba sausgyslių patempimų. Užvesdami variklį, lėtai traukite starterio laidą tol, kol pajusite pasipriešinimą, tuomet staigiai truktelėkite, kad išvengtumėte atatrankos.

8. **Elektrinis starteris, jeigu yra:** Pasukite elektrinio starterio raktelį (F, pav. 8) į padėtį „on“ arba „start“ (įjungti / paleisti).

PASTABA Norėdami pailginti starterio naudojimo laiką, naudokite trumpus užvedimo ciklus (maks. penkių sekundžių trukmės). Palaukite apie 1 minutę tarp paleidimo ciklų.

9. Kai variklis išils, nustatykite droselinės sklendės valdiklį (C, pav. 7, 8) į atidarymo padėtį.

Pastaba: Jeigu variklis neužsiveda po kelių bandymų, kreipkitės į vietinį pardavimo atstovą arba apsilankykite VanguardEngines.com, arba skambinkite 1-800-999-9333 (JAV).

Variklio sustabdymas



Degalai ir jų garai yra labai degūs ir gali sprogti.

Ugnis arba sproginimas gali nudeginti arba sukelti mirtį.

- Neuždarykite karbiuratoriaus oro sklendės, norėdami sustabdyti variklį.
1. **Išjungimo jungiklis, jei įrengtas:** Nustatykite sustabdymo jungiklį (E, 8 pav.) į sustabdymo padėtį.
Degalų ir uždegimo valdiklis, jei yra: Nustatykite degalų ir uždegimo valdiklį (A, pav. 7) į išjungimo (off) arba sustabdymo (stop) padėtį.
 2. **Elektrinis starteris, jeigu yra:** Ištraukite raktą. Raktą laikykite vaikams nepasiekiamoje vietoje.

Techninė priežiūra

PASTABA Jeigu variklis atliekant priežiūrą paverčiamas ir jeigu degalų bakas sumontuotas ant variklio, degalai turi būti išleisti, o ta pusė, kurioje yra uždegimo žvakė, turi būti pakelta. Jeigu degalų bakas nėra tuščias, o variklis paverčiamas bet kuria kryptimi, jį gali būti sunku užvesti dėl alyva arba benzinu užteršto oro filtro ir (arba) uždegimo žvakės.



ĮSPĖJIMAS

Atlikdami techninę priežiūrą, kai įranga turi būti apversta, įsitinkite, kad degalų bakas yra tuščias, nes gali išsilieti degalai ir įvykti gaisras arba sproginimas.

Mes rekomenduojame jums naudotis įgaliotu „Briggs & Stratton“ techninės priežiūros atstovo paslaugomis variklio remontui ir dalims įsigyti.

PASTABA Visos detalės, panaudotos šiame variklyje, turi būti savo vietose.



ĮSPĖJIMAS



Netyčinis uždegimas gali sukelti gaisrą arba elektros smūgį.

Netyčinis užvedimas gali baigtis galūnių įtraukimu, traumuojančia amputacija arba plėštinėmis žaizdomis.

Gaisro pavojus

Prieš atlikdami reguliavimo arba remonto darbus:

- Atjunkite uždegimo žvakės laidą ir laikykite jį atokiai nuo uždegimo žvakės.
- Atjunkite akumuliatorių (varikliuose su elektriniu užvedimu).
- Naudokite tik darbui tinkamus įrankius.
- Nelieskite reguliatoriaus spyruoklės arba kitų variklio dalių, galinčių paveikti variklio greitį.
- Keičiamos atsarginės dalys privalo būti to paties dizaino ir sumontuotos toje pačioje padėtyje kaip ir originalios dalys. Kitos dalys gali veikti netinkamai, sugadinti įrenginį ir sąlygoti sužalojimą.
- Nedaužykite smagračio plaktuku arba kietu daiktu. Jis gali subyrėti.

Tikrindami, ar kyla kibirkštis:

- Naudokite patvirtintą uždegimo žvakės bandiklį.
- Netikrinkite, ar kyla kibirkštis, kai uždegimo žvakė yra išimta.

Išmetamųjų teršalų kontrolės priežiūra

Išmetamųjų teršalų kontrolės prietaisų ir sistemų techninę priežiūrą, keitimo ar remonto darbus gali atlikti bet koks visureigių variklių remonto centras arba remontu užsiimantis fizinis asmuo. Vis dėlto, norint už išmetamųjų teršalų kontrolės paslaugą nieko nemokėti, darbus turi atlikti gamyklos įgaliotasis atstovas. Žr. informaciją apie išmetamųjų teršalų kontrolę.

Techninės priežiūros grafikas

Po pirmųjų 5 darbo valandų
<ul style="list-style-type: none"> • Pakeiskite alyvą
Kas 8 darbo valandas arba kasdien
<ul style="list-style-type: none"> • Patikrinkite variklio alyvos lygį • Nuvalykite purvą aplink duslintuvą ir valdymo elementus • Išvalykite oro įsiurbimas grotelės
Kas 25 valandų arba kasmet

<ul style="list-style-type: none"> • Išvalykite oro filtrą ¹ • Išvalykite pirminį filtrą ¹
Kas 50 valandų arba kasmet
<ul style="list-style-type: none"> • Pakeiskite variklio alyvą • Atlikite išmetimo sistemos techninę priežiūrą
Kas 100 valandų
<ul style="list-style-type: none"> • Pakeiskite mažinimo pavarų alyvą (jei yra)
Kasmet
<ul style="list-style-type: none"> • Pakeiskite uždegimo žvakę • Pakeiskite oro filtrą • Pakeiskite pirminį filtrą • Atlikite degalų sistemos techninę priežiūrą • Atlikite aušinimo sistemos techninę priežiūrą ¹ • Patikrinkite tarpus aplink vožtuvą ²

¹ Dulktėmis sąlygomis arba kai ore yra teršalų, valykite dažniau.

² Nereikia, nebent pastebite variklio veikimo problemų.

Karbiuratoriaus ir variklio greitis

Jokiu būdu nemėginkite keisti karbiuratoriaus arba variklio greičio. Gamykloje karbiuratorius buvo nustatytas daugeliu atveju veikti efektyviai. Nelieskite reguliatoriaus spyruoklės, jungčių ir kitų dalių, galinčių turėti įtakos variklio greičiui. Jei reikia atlikti kokius nors pakeitimus, susisiekite su „Briggs & Stratton“ įgaliotu techninės priežiūros centru.

PASTABA Įrangos gamintojas nurodo didžiausias variklio apsuksas, kai jis sumontuotas šioje įrangoje. **Neviršykite** šių apsuksų. Jei nežinote, koks didžiausias greitis yra nustatytas arba kokį nustatė gamykla, susisiekite su „Briggs & Stratton“ įgaliotu techninės priežiūros centru. Kad įranga būtų saugiai ir tinkamai naudojama, variklio apsuksas reguliuoti turi tik kvalifikuotas techninės priežiūros specialistas.

Uždegimo žvakių priežiūra

Žiūrėkite paveikslėlį: 9

Patikrinkite tarpelį (A, pav. 9) matuokliu (B). Jeigu reikia, sureguliuokite tarpelį. Įdėkite ir priveržkite uždegimo žvakę atitinkama jėga. Ieškokite tarpelio ir sukimo momento duomenų skyriuje **Specifikacijos**.

Pastaba: Kai kuriose vietovėse vietiniai įstatymai reikalauja naudoti specialias uždegimo žvakes su varžomis, kurios slopina uždegimo signalus. Jeigu jūs variklyje yra tokios žvakės, naudokite tokias pačias žvakes ir keitimus.

Išmetimo sistemos techninė priežiūra



ĮSPĖJIMAS



Veikiant varikliui, išskiriama šiluma. Variklio dalys, dažniausiai duslintuvas, labai įkaista.

Prisilietus, galima stipriai nudegti.

Degios šiukšlės, pavyzdžiui, lapai, žolė, krūmai ir kt., gali užsiliepsnoti.

- Prieš liedsdami duslintuvą, variklio cilindrą ir rotorius briaunas, palaukite, kol šios dalys atvės.
- Nuvalykite purvą aplink duslintuvą ir cilindrą.
- Šio variklio negalima naudoti ant neapdirbto miško, krūmynų ar žolės paviršių, jei variklio išmetimo sistemoje neįrengtas kibirkščių stabdiklis, atitinkantis galiojančius vietos arba valstijų įstatymus, nes tai prieštarauja Kalifornijos valstybinių išteklių kodekso 4442 skyriuje išdėstytoms nuostatomis (angl. „California Public Resource Code Section 4442“). Kitose valstijose gali galoti panašūs įstatymai. Jūs galite įsigyti kibirkšties gaudiklį, pritaikytą Jūsų išmetimo sistemai, iš originalios įrangos gamintojo, pardavėjo arba atstovo.

Nuvalykite purvą aplink duslintuvą ir cilindrą. Apžiūrėkite duslintuvą, ant jo neturi būti įskilimų, rūdžių ar kitų pažeidimų. Nuimkite duslintuvo kreiptuvą arba kibirkščių slopintuvą, jeigu toks yra, ir apžiūrėkite, ar nėra pažeistas ir užsikimšęs suodžiais. Jeigu radote pažeidimų, pakeiskite detales prieš įrangos naudojimą.



ĮSPĖJIMAS

Keičiamos atsarginės dalys privalo būti to paties dizaino ir sumontuotos toje pačioje padėtyje kaip ir originalios dalys. Kitos dalys gali veikti netinkamai, sugadinti įrenginį ir sąlygoti sužalojimą.

Variklio alyvos keitimas

Žr. paveikslėlį: 10, 11

Panaudota, sena alyva yra pavojingos atliekos, kurias reikia tinkamai sunaikinti. Neišmeskite jų kartu su buitinėmis atliekomis. Dėl saugaus išmetimo tausojant aplinką, kreipkitės į vietos valdžios institucijas, techninio aptarnavimo centrą arba atstovą.

Alyvos išpylimas

1. Variklį išjungus, bet jam dar esant šiltam, atjunkite uždegimo žvakės laidą (D, pav. 10) ir patraukite jį nuo uždegimo žvakės (E).
2. Nuimkite alyvos lygio matuoklį (A, pav. 11).
3. Nuimkite alyvos išleidimo kamštį (F, pav. 11). Išpilkite alyvą į tinkamą indą.

Pastaba: Variklyje gali būti įrengti įvairūs alyvos išleidimo kamščiai (G, pav. 11).

4. Išleidę alyvą, įstatykite ir užsukite alyvos išleidimo kamštį (F, pav. 11).

Alyvos įpylimas

- Įsitinkinkite, kad variklis yra horizontalioje padėtyje.
- Nuvalykite purvą nuo alyvos pildymo vietos.
- Informacijos apie alyvos bako talpą ieškokite skyriuje **Specifikacijos**.

1. Ištraukite lygio matuoklį (A, 11 pav.) ir nušluostykite jį švaria šluoste.
2. Lėtai pilkite alyvą į variklio alyvos įpylimo angą (C, 11 pav.). Įpilkite iki kaklelio ribos.
3. Įstatykite alyvos lygio matuoklį (A, 11 pav.). **Nesukite ir neveržkite.**
4. Ištraukite matuoklį ir patikrinkite alyvos lygį. Teisingas alyvos lygis yra lygio matuoklio pilno bako indikatorius viršuje (B, 11 pav.).
5. Vėl įstatykite ir priveržkite lygio matuoklį (A, 11 pav.).
6. Prijunkite uždegimo žvakės laidą (D, 10 pav.) prie uždegimo žvakės (E).

Mažinimo pavarų alyvos keitimas

Žr. paveikslėlį: 12, 13

6:1 pavarų mažinimas (pav. 12)

Jei jūsų variklyje sumontuotas 6:1 mažinimo pavarų blokelis, atlikite šiuos techninio aptarnavimo veiksmus:

1. Išimkite alyvos pildymo kamštį (A, 12 pav.) ir alyvos lygio matuoklio kamštį (B).
2. Išimkite alyvos išleidimo kamštį (C, 12 pav.) ir išpilkite alyvą į tinkamą indą.
3. Vėl pritvirtinkite alyvos išleidimo kamštį (C, 12 pav.).
4. Norėdami pripilti alyvos, lėtai pilkite pavarų alyvą (žr. **Specifikacijų** skyrelį) į alyvos pildymo angą (D, 12 pav.). Alyvą pilkite tol, kol ji pradeda tekėti pro angą (E).
5. Vėl pritvirtinkite ir priveržkite alyvos lygio matuoklio kamštį (B, 12 pav.).
6. Vėl pritvirtinkite ir priveržkite pildymo kamštį (A, 12 pav.).

Pastaba: Alyvos pildymo kamštyje (A, 12 pav.) yra ventiliacijos anga (F), todėl ją būtina pritvirtinti ant pavarų dangtelio viršaus, kaip pavaizduota paveiksle.

2:1 pavarų mažinimas (pav. 13)

2:1 mažinimo pavarų blokeliui (G, pav. 13) alyvos keisti nereikia.

Oro filtro techninė priežiūra

Žr. paveikslėlį: 14, 15, 16



ĮSPĖJIMAS



Degalai ir jų garai yra labai degūs ir gali sprogti.

Ugnis arba sprogdimas gali nudeginti arba sukelti mirtį.

- Niekada neužveskite ir nenaudokite variklio be oro valymo bloko (jei įrengtas) arba oro filtro (jeigu įrengtas).

PASTABA Nevalykite filtro suslėgtu oru arba tirpikliais. Suslėgtas oras gali sugadinti filtrą, o tirpikliai gali jį ištrinti.

Informacijos apie aptarnavimo reikalavimus ieškokite **Techninės priežiūros grafike**.

Skirtinguose modeliuose naudojami porolono arba popieriaus filtrai. Tam tikruose modeliuose yra sumontuotas pirminio valymo filtras, kurį galima išplauti ir panaudoti kelis kartus. Palyginkite iliustracijas šiame vadove su jūsų variklyje įdiegtu tipu ir atitinkamai atlikite techninę priežiūrą.

Porolono oro filtras

1. Atlaisvinkite fiksatorių (-ius) (A, 14 pav.).
2. Nuimkite dangtį (B, 14 pav.).
3. Nuimkite fiksatorių (D, 14 pav.) ir poveržlę (E).
4. Kad nešvarumai nepatektų į karbiuratorių, atsargiai nuo oro filtro pagrindo (G) nuimkite porolono elementą (C, pav. 14).
5. Išimkite atramą (F, pav. 14) iš porolono elemento (C).
6. Išplaukite porolono elementą (C, pav. 14) skysta plovimo priemone ir vandeniu. Išspauskite porolono elementą, susukę jį į švarų audeklą, kad jis būtų sausas.
7. Įmirkykite porolono elementą (C, pav. 14) švarioje variklio alyvoje. Norėdami pašalinti variklio alyvos perteklių, išspauskite porolono elementą, susukę jį į švarų audeklą.
8. Įdėkite atramą (F, pav. 14) į porolono elementą (C).
9. Įdėkite porolono elementą (C, pav. 14) į oro filtro pagrindą (G) ir ant smeigės (H). Patikrinkite, ar porolono elementas tinkamai įstatytas į oro filtro pagrindą ir užtvirtinkite poveržlę (E) bei fiksatoriumi (D).
10. Uždėkite dangtį (B, pav. 14) ir priveržkite fiksatoriumi (-iais) (A). Patikrinkite, ar fiksatorius (-iai) tvirtai užveržtas (-i).

Popierinis oro filtras

1. Atlaisvinkite fiksatorių (-ius) (A, 15 pav.).
2. Nuimkite dangtį (B, 15 pav.).
3. Nuimkite dangtį (E, 15 pav.).
4. Kad nešvarumų nepatektų į karbiuratorių, atsargiai nuo oro filtro pagrindo (F) nuimkite pirminį filtrą (D, 15 pav.), jei yra, ir filtrą (C).
5. Norėdami pašalinti purvą, atsargiai patapšnokite filtrą (C, 15 pav.) ant kieto paviršiaus. Jei filtras pernelyg purvinas, pakeiskite jį nauju.
6. Išimkite pirminio valymo filtrą (D, pav. 15), jei yra, iš filtro (C).
7. Nuplaukite pirminio valymo filtrą (D, pav. 15) skysta plovimo priemone ir vandeniu. Palaukite, kol pirminio valymo filtras gerai išdžius ore. **Neužpilkite** alyvos ant pirminio valymo filtro.
8. Įmontuokite sausą pirminio valymo filtrą (D, pav. 15), jei yra, į filtrą (C).
9. Įstatykite sandarinimo poveržlę (H, pav. 15), filtrą (C) ir pirminio valymo filtrą (D), jei yra, į oro filtro pagrindą (F) ir uždėkite ant smeigės (G). Įsitinkinkite, kad filtras tinkamai įstatytas į oro filtro pagrindą ir užtvirtinkite fiksatoriumi (E).
10. Uždėkite dangtį (B, pav. 15) ir priveržkite fiksatoriumi (-iais) (A). Patikrinkite, ar fiksatorius (-iai) tvirtai užveržtas (-i).

Popierinis oro filtras

1. Atlaisvinkite fiksatorių (-ius) (D, pav. 16).
2. Nuimkite dangtį (A, pav. 16).
3. Išimkite pirminio valymo filtrą (C, pav. 16), jei yra, ir filtrą (B).
4. Norėdami pašalinti purvą, atsargiai patapšnokite filtrą (B, pav. 16) ant kieto paviršiaus. Jei filtras pernelyg purvinas, pakeiskite jį nauju.
5. Nuplaukite pirminio valymo filtrą (C, pav. 16), jei yra, skysta plovimo priemone ir vandeniu. Palaukite, kol pirminio valymo filtras gerai išdžius ore. Neužpilkite alyvos ant pirminio valymo filtro.
6. Pritvirtinkite sausą pirminio valymo filtrą (C, pav. 16), jei yra, ir filtrą (B).
7. Uždėkite dangtį (A, pav. 16) ir priveržkite fiksatoriumi (-iais) (D). Patikrinkite, ar fiksatorius (-iai) tvirtai užveržtas (-i).

Degalų sistemos techninė priežiūra

Žr. paveikslėlį: 17, 18

**ĮSPĖJIMAS****Degalai ir jų garai yra labai degūs ir gali sprogti.****Ugnis arba sproginimas gali nudeginti arba sukelti mirtį.**

- Saugokite degalus nuo kibirkščių, atviros ugnies, nuolat įjungtų dujų degiklių, šilumos ir kitų uždegimo šaltinių.
- Dažnai tikrinkite degalų linijas, degalų bako dangtelį ir montavimo dalis, ar jos nesusidėvėję arba neįskilę. Jei reikia, pakeiskite jį.
- Prieš degalų filtro valymą arba pakeitimą išpilkite degalus iš bako arba uždarykite degalų tiekimo vožtuvą.
- Degalams išsiliejus, prieš užvesdami variklį palaukite, kol jie išgaruos.
- Atsarginės dalys turi būti vienodos ir sumontuotos toje pačioje vietoje, kur buvo sumontuotos originalios dalys.

Degalų filtras, jeigu yra

1. Prieš valydami arba keisdami degalų filtrą (A, pav. 17) ištuštinkite degalų baką arba uždarykite degalų tiekimo išjungimo vožtuvą. Kitaip degalai gali išbėgti ir sukelti gaisrą arba sproginimą.
2. Replėmis suspauskite kilpas (B, pav. 17), esančias ant gnybtų (C), ir nuimkite gnybtus nuo degalų filtro (A). Pasukinėkite ir atjunkite degalų žarnas (D) nuo degalų filtro.
3. Patikrinkite, ar degalų žarnelės (D, pav. 17) nėra įtrūkusios ir nesandarios. Jei reikia, pakeiskite jį.
4. Seną degalų filtrą (A, pav. 17) keiskite originaliu nauju filtru.
5. Gnybtais (C) pritvirtinkite degalų žarnelės (D, pav. 17), kaip parodyta.

Degalų filtras, jeigu yra

1. Atsukite degalų bako dangtelį (A, pav. 18).
2. Išimkite degalų filtrą (B, pav. 18).
3. Jeigu degalų filtras yra nešvarus, išvalykite arba pakeiskite jį. Norėdami jį pakeisti, naudokite tik originalų naują filtrą.

Aušinimo sistemos techninė priežiūra

**ĮSPĖJIMAS****Veikiant varikliui, išskiriama šiluma. Variklio dalys, dažniausiai duslintuvai, labai įkaista.****Prisilietus, galima stipriai nudegti.****Degios šiukšlės, pavyzdžiui, lapai, žolė, krūmai ir kt., gali užsiliepsnoti.**

- Prieš liedsdami duslintuvą, variklio cilindrą ir rotorius briaunas, palaukite, kol šios dalys atvės.
- Nuvalykite purvą aplink duslintuvą ir cilindrą.

PASTABA Nenaudokite vandens, kai valote variklį. Vanduo gali patekti į degalus. Valymui naudokite šepetį arba švarų audeklą.

Šis variklis yra aušinamas oru. Purvas ir žolė gali užkimšti oro aušinimo sistemą ir variklis gali perkaisti. Tai sąlygos prastą variklio veikimą ir sutrumpins jo tarnavimo laikotarpį.

1. Nešvarumus nuo oro įsiurbimo srities pašalinkite šepetėliu arba sausa šluoste.
2. Jungtys, spyruoklės ir kitos variklio dalys turi būti švarios.
3. Duslintuvai ir plotas aplink jį turi būti švarūs.
4. Alyvos aušintuvo briaunos turi būti švarios.

Laikui bėgant nešvarumai gali kauptis ant cilindro briaunų, todėl variklis gali perkaisti. Šiuos nešvarumus galima pašalinti iš dalies išardžius variklį. Kreipkitės į įgaliotą „Briggs & Stratton“ techninės priežiūros atstovą, kad patikrintų ir išvalytų oro aušinimo sistemą, kaip rekomenduojama **Techninės priežiūros grafike**.

Laikymas

**ĮSPĖJIMAS****Degalai ir jų garai yra nepaprastai degūs ir sproginę.****Ugnis arba sproginimas gali jus nudeginti arba užmušti.****Degalų arba įrenginio su pilnu degalų baku laikymas**

- Saugokite atokiai nuo krosnių, viryklių, vandens šildytuvų ar kitų buitinių prietaisų su atvirais dujų degikliai arba kitų uždegimo šaltinių, nes jie gali uždegti degalų garus.

Degalų sistema

Žr. paveikslą: 19

Laikykitė variklį horizontaliai (įprastoje darbo padėtyje). Pripilkite į degalų baką (A, pav. 19) degalų. Kad degalams būtų vietos plėstis, nepilkite degalų daugiau nei iki bako kaklelio (B).

Laikomi ilgiau nei 30 dienų, degalai gali pasenti. Dėl senų degalų degalų sistemoje arba pagrindinėse karbiuratoriaus dalyse susidaro rūgštis ir klįjimų nuosėdų. Norėdami, kad degalai nepasentų, **naudokite „Briggs & Stratton“ naujos formulės degalų priedą ir stabilizatorių**, kurį galima įsigyti visur, kur tik prekiaujama originaliomis „Briggs & Stratton“ dalimis.

Jeigu į degalus pagal instrukciją pridėdama degalų stabilizatoriaus, jų iš variklio išleisti nereikia. Prieš palikdami variklį saugojimui, paleiskite jį maždaug dviem (2) minutėms, kad stabilizatorius būtų paskirstytas degalų sistemoje.

Jeigu į variklio benzina nebuvo įpilta degalų stabilizatoriaus, išpilkite jį į tinkamą indą. Leiskite varikliui veikti tol, kol pasibaigs degalai ir jis užges. Mes rekomenduojame įpilti degalų stabilizatoriaus į benzino laikymo baką, kad benzinas nepasentų.

Variklio alyva

Keiskite variklio alyvą, kol variklis šiltas. Žiūrėkite skyrių **Variklio alyvos keitimas**.

Trikčių šalinimas

Dėl pagalbos kreipkitės į vietinį pardavimo atstovą arba apsilankykite **VanguardEngines.com**, arba skambinkite **1-800-999-9333 (JAV)**.

Specifikacijos

Modelis: 130000	
Tūris	12.48 ci (205 cc)
Skersmuo	2.688 in (68,28 mm)
Cilindro eiga	2.200 in (55,88 mm)
Alyvos talpa	20 - 22 oz (,59 - ,65 L)
Mažinimo pavarų alyvos rūšis	80W-90
Mažinimo pavarų alyvos tūris	4 oz (,12 L)
Uždegimo žvakės tarpelis	.030 in (,76 mm)
Uždegimo žvakės sukimo momentas	180 lb-in (20 Nm)
Oro tarpelis tarp indukcinės ritės / smagračio	.010 - .014 in (,25 - ,36 mm)
Įsiurbimo vožtuvo laisvumas	.004 - .006 in (,10 - ,15 mm)
Išmetimo vožtuvo laisvumas	.009 - .011 in (,23 - ,28 mm)

Modelis: 190000	
Tūris	18.63 ci (305 cc)
Skersmuo	3.120 in (79,24 mm)
Cilindro eiga	2.438 in (61,93 mm)
Alyvos talpa	26 - 28 oz (,77 - ,83 L)
Mažinimo pavarų alyvos rūšis	SAE 30
Mažinimo pavarų alyvos tūris	12 oz (,35 L)
Uždegimo žvakės tarpelis	.030 in (,76 mm)
Uždegimo žvakės sukimo momentas	180 lb-in (20 Nm)
Oro tarpelis tarp indukcinės ritės / smagračio	.010 - .014 in (,25 - ,36 mm)
Įsiurbimo vožtuvo laisvumas	.004 - .006 in (,10 - ,15 mm)
Išmetimo vožtuvo laisvumas	.004 - .006 in (,10 - ,15 mm)

Variklio galingumas mažes 3,5 % kas 1 000 pėdų (300 metrų) daugiau nei jūros lygis ir 1 % kas 10 °F (5,6 °C), kai bus daugiau nei 77 °F (25 °C). Variklis veiks patenkinamai iki 15° kampo. Naudojimo instrukcijoje rasite saugos instrukcijas leistinam darbui nuokalnėse.

Atsarginės dalys - modelis: 130000, 190000

Atsarginė dalis	Dalies numeris
-----------------	----------------

Atsarginės dalys - modelis: 130000, 190000	
Porolono oro filtras, (modelis 130000, pav. 14)	797378
Popierinis oro filtras, (modelis 130000, pav. 15)	797033
Pirminis valymo filtras (modelis 130000, pav. 15)	798513
Popierinis oro filtras, (modelis 190000, pav. 15)	797032
Pirminis valymo filtras (modelis 190000, pav. 15)	798795
Popierinis oro filtras (pav. 16)	474279
Pirminis valymo filtras (pav. 16)	491435S
Naujos formulės degalų priedas ir stabilizatorius	100117, 100120
Rezistorinė uždegimo žvakė	491055
Uždegimo žvakės raktas	19576, 5402
Kibirkšties tikrintuvas	19368

Mes rekomenduojame jums naudotis įgaliotu „Briggs & Stratton“ techninės priežiūros atstovo paslaugomis variklio remontui ir dalimis įsigyti.

Galios kategorijos: Atskirų benzinių variklių modelių bendrosios galios dydžiai pažymėti pagal SAE (automobilių inžinierių bendrija, angl. „Society of Automotive Engineers“) standartą Nr. J1940 „Mažų variklių galios ir sukimo momento įvertinimo procedūra“ ir įvertinami pagal SAE standartą Nr. J1995. Sukimo momento vertės nustatytos esant 2 600 APM tiems varikliams, kurių ženklavimo etiketėje nurodyta išnaša „apm“, o visiems kitiems varikliams – esant 3 060 APM; arklio galios vertės nustatytos esant 3 600 APM. Bendrosios galios kreivės galima peržiūrėti tinklalapyje www.BRIGGSandSTRATTON.com. Tikrieji galios dydžiai nustatyti sumontavus išmetimo ir oro valymo filtrus, o bendrieji galios dydžiai nustatyti be šių priedų. Faktinis bendrasis variklio galingumas yra didesnis nei tikrojo variklio galingumas, ir, be kitų dalykų, jį veikia darbo aplinkos sąlygos, be to, galingumas priklauso ir nuo atskirų variklių tipų. Atsižvelgiant į įvairius gaminius, kuriuose montuojami varikliai, benzininis variklis, sumontuotas elektriniame įrenginyje, neišvystys numatytosios bendrosios galios. Šis skirtumas atsiranda dėl įvairių veiksnių, įskaitant, bet neapsiribojant, įvairiomis variklio sudedamosiomis dalimis (oro valymo, išmetimo, krovimo, aušinimo, karbiuratoriaus, degalų filtro ir pan.), naudojimo apribojimais, darbinės aplinkos sąlygomis (temperatūra, drėgnumas, aukščiu virš jūros lygio) ir įvairių variklių tipų. Dėl gamybos ir pajėgumo apribojimų „Briggs & Stratton“ gali pakeisti variklį galingesniu varikliu.

Garantija

„Briggs & Stratton“ variklio garantija

Galioja nuo 2017 m. sausio mėn.

Ribotoji garantija

Bendrovė „Briggs & Stratton“ garantuoja, kad toliau nurodytu garantiniu laikotarpiu nemokamai taisyti arba pakeisti bet kokią šio gaminio dalį, kurioje yra medžiagų ir (arba) gamybos defektų. Pagal šią garantiją gabenimo išlaidas, patirtas vežant gaminį taisyti ar pakeisti, privalo padengti pirkėjas. Ši garantija galioja toliau nurodytą laikotarpį, esant toliau nurodytoms sąlygoms. Norėdami pasinaudoti garantinio aptarnavimo paslaugomis, susisiekite su artimiausiu įgaliotuoju techninio aptarnavimo atstovu, kurio adresą rasite tinklalapyje BRIGGSandSTRATTON.COM. Pirkėjas privalo kreiptis į įgaliotąjį techninės priežiūros atstovą, o tada pristatyti gaminį įgaliotajam techninės priežiūros atstovui apžiūrėti ir patikrinti.

Jokių kitų g arantijų nesuteikiama. Numanomos garantijos, įskaitant perkamumo ir tinkamumo konkrečiam tikslui garantijas, galioja toliau nurodytą garantinį laikotarpį arba tiek, kiek leidžiama pagal teisės aktus. Atsakomybės dėl atsitiktinių ar pasekminių nuostolių yra atsisakoma tiek, kiek tai leidžiama pagal įstatymus. Tam tikrose valstybėse apribojimai dėl numanomos garantijos draudžiami arba draudžiamas pašalinimas arba apribojimas dėl atsitiktinės arba pasekminės žalos, taigi pirmiau minėtas apribojimas arba pašalinimas jums gali būti netaikytinas. Ši garantija suteikia jums ypatingų teisių, tačiau jūs galite turėti ir kitokių teisių, kurios įvairiose valstybėse ir valstybėse gali skirtis⁴.

Standartiniai garantijos terminai 1, 2, 3

Prekės ženklas / gaminio pavadinimas	Asmeninis naudojimas	Komercinis naudojimas
„Vanguard™“; Komercinė serija	36 mėnesiai	36 mėnesiai
Varikliai su „Dura-Bore™“ ketaus įvorėmis	24 mėnesiai	12 mėnesių
Visi kiti varikliai	24 mėnesiai	3 mėnesiai

¹Šie terminai yra standartiniai, kartkartėmis jie gali būti papildyti arba pakeisti nurodant papildomas sąlygas, kurios nebuvo pateiktos leidimo metu. Norėdami sužinoti naujausią informaciją apie Jūsų variklio garantijos sąlygas, apsilankykite tinklalapyje BRIGGSandSTRATTON.com arba susisiekite su artimiausiu „Briggs & Stratton“ įgaliotuoju techninio aptarnavimo atstovu.

²Garantija nesuteikiama varikliams, sumontuotiems įrangoje, kuri naudojama energijai tiekti darbo vietoje, arba komerciniais tikslais naudojamuose rezerviniuose

generatoriuose. Garantija netaikoma varikliams, naudojamiems sportinėms varžyboms ir lenktynėms arba komerciniuose bei nuomojamuose automobiliuose.

³ Rezerviniuose generatoriuose sumontuotiems „Vanguard“: 24 mėnesių garantija naudotojams ir jokios garantijos naudojant komerciniais tikslais. Universalioje transporto priemonėse sumontuotiems „Vanguard“: 24 mėnesių garantija naudotojams ir 24 mėnesių garantija naudojant komerciniais tikslais. Komercinė serija, kurios pagaminimo data yra iki 2017 m. liepos mėn. – 24 mėnesių garantija naudotojams ir 24 mėnesių garantija naudojant komerciniais tikslais.

⁴ Australijoje – mūsų prekės parduodamos su garantijomis, kurių negalima neįtraukti pagal Australijos vartotojų teisių įstatymą. Jūs turite teisę į gaminio pakeitimą arba pinigų grąžinimą didelio gedimo atveju arba atlyginimą už bet kokią pagrstai iš anksto numatomą žalą arba nuostolius. Jūs taip pat turite teisę reikalauti, kad prekės būtų suremontuotos arba pakeistos tuo atveju, jeigu prekės yra nepriimtinos kokybės, o gedimas negali būti priskiriamas dideliame gedime. Norėdami pasinaudoti garantinio aptarnavimo paslaugomis, kreipkitės į artimiausią įgaliotąjį techninio aptarnavimo atstovą, kurio adresą rasite tinklalapyje BRIGGSandSTRATTON.COM atstovų būstinių žemėlapyje, arba skambinkite tel. 1300 274 447, arba rašykite el. pašto adresu salesenquiries@briggsandstratton.com.au, arba rašykite įprasto pašto adresu Briggs & Stratton Australia Pty Ltd, 1 Moorebank Avenue, Moorebank, NSW, Australia (Australija), 2170.

Garantinis laikotarpis prasideda diena, kai įrangą įsigyja pirmasis mažmeninis arba komercinis naudotojas. „Asmeninis naudojimas“ reiškia naudojimą asmeniniame gyvenamajame ūkyje, kai gaminiį naudoja mažmenininkas. „Komercinis naudojimas“ reiškia naudojimą visais kitais tikslais, įskaitant komercinius, pajamų gavimo ar nuomos tikslus. Jeigu variklis buvo nors vieną kartą panaudotas komerciniais tikslais, jis bus priskirtas komercijos tikslais naudojamų variklių kategorijai ir jam bus taikoma atitinkama garantija.

Išsaugokite pirkimą patvirtinantį čekį. Jeigu garantinio laikotarpio metu, kai jums prireikia garantinių paslaugų, nepateiksite čekio, įrodančio pirmo pirkimo datą, garantinis laikotarpis bus skaičiuojamas nuo gaminio pagaminimo datos. Norint pasinaudoti „Briggs & Stratton“ ženkle gaminiams taikoma garantija, gaminių registruoti nereikia.

Dėl Jūsų garantijos

Šie garantiniai įsipareigojimai galioja tik su varikliu susijusioms nekokybiškomis medžiagoms ir (arba) darbams, o ne įrangos, kurioje variklis sumontuotas, keitimui ar jos kainos grąžinimui. Ši garantija netaikoma planinei techninei priežiūrai, suderinimui, reguliavimui arba įprastam susidėvimui. Taip pat garantija netaikoma, jeigu variklis buvo pakeistas ar perdarytas, arba jeigu variklio serijos numeris buvo pažeistas arba pašalintas. Ši garantija netaikoma variklio gedimams arba veikimo problemoms, atsiradusioms dėl:

1. neoriginalių „Briggs & Stratton“ detalių naudojimo;
2. Dėl variklio veikimo esant nepakankamam arba užterštam tepimui arba dėl netinkamo alyvos lygio;
3. pasenusių degalų, degalų, kurių sudėtyje yra daugiau negu 10 proc. etanolio arba kitos rūšies degalų, pvz., suskystintų naftos produktų ar gamtinių dujų, kurie nėra tinkami varikliams, pagamintiems „Briggs & Stratton“, naudojimo;
4. patekusio į variklį purvo dėl netinkamo oro filtro techninio aptarnavimo arba sumontavimo;
5. vejamųjų ašmenų susidūrimo su objektu, atlaisvinusių arba neteisingai sumontuotų ašmenų adapterių, skriemulių arba alkūninio sujungimo dalių, arba pernelyg įtempto diržo;
6. susijusių dalių remonto arba reguliavimo, dalių, tokių kaip sankaba, transmisija, valdymo svirtys ir pan., kurios nėra tiekiamos bendrovės „Briggs & Stratton“;
7. perkaitinimo, kuris įvyko žolei, purvui patekus ant variklio ir užteršus aušinimo briaunas ir oro angas; ar dėl pažeidimo, kuris buvo padarytas varikliui veikiant be pakankamo aušinimo;
8. papildomos didelės vibracijos, kuri atsirado dėl atsilaisvinusių variklio tvirtinimų, pjovimo peilių, nebalansuotų skriemulių, netinkamai sujungtų dalių su variklio korpusu arba per didelio greičio;
9. dėl netinkamo įrangos naudojimo, nesant reikiamos priežiūros, transportavimo, saugojimo arba netinkamo variklio sumontavimo.

Garantinį aptarnavimą atlieka tik įgaliotieji „Briggs & Stratton“ techninės priežiūros atstovai. Raskite artimiausią įgaliotąjį Techninės priežiūros atstovą mūsų atstovų paieškos žemėlapyje adresu BRIGGSandSTRATTON.COM arba paskambinę telefonu 1-800-223-3723 (JAV).

80004537 (C leid.)

Šajā rokasgrāmatā ir aprakstīta informācija par drošību, lai pasargātu Jūs no briesmām un riska, kuri pastāv saskarē ar dzinējiem un kā no tiem izvairīties. Tā arī satur instrukcijas dzinēja pareizai lietošanai un apkopei. Tāpēc, ka Briggs & Stratton Corporation ne vienmēr var zināt kādu aprikojumu dzinējs apgādās ar dzinējspēku, ir svarīgi izlasīt un izprast šīs instrukcijas, kā arī instrukcijas aprikojumam, kuru dzinējs apgādā ar dzinējspēku. **Saglabājiet oriģinālās instrukcijas nākotnes uzziņām.**

Piezīme: Visi zīmējumi un apzīmējumi šajā Instrukcijā ir jāuztver kā vispārējā informācija, jo Jūsu tehnikas konkrētais modelis var atšķirties no zīmējumā parādītā. Ja Jums rodas jautājumi, lūdzam kontaktēties ar uzņēmuma izplatītāju.

Rezerves daļu pieprasīšanai vai tehniskai palīdzībai pierakstiet zemāk dzinēja modeļa, tipa un koda numurus kopā ar pirkšanas datumu. Šie numuri atrodas uz jūsu dzinēja (skatīt nodaļu Ipašības un vadības elementi).

Pirkuma datums:	
Dzinēja Modelis - Tips - Salona apdare	
Dzinēja sērijas numurs	

Atrodiet 2D svītru kodu, kas atrodas uz dažiem dzinējiem. Skatot ar iekārtu, kas ir aprīkota ar 2D funkcionalitāti, kods ļaus piekļūt mūsu interneta vietnei, kurā varēsiet iegūt tehniskās palīdzības informāciju šim produktam. Var tikt piemēroti tarifi par datu apjomu. Dažās valstīs tiešsaistes tehniskās palīdzības informācija var nebūt pieejama.



Informācija par pārstrādi

		Jebkāds iepakojums, izmantotā eļļa un akumulatori ir jāpārstrādā saskaņā ar spēkā esošajiem normatīviem.
--	--	--

Operatora drošība

Drošības brīdinājuma zīmes un signālvārdi

Drošības brīdinājuma simbols tiek lietots, lai norādītu uz drošības informāciju par riskiem, kas var izraisīt traumas. Tādi signālvārdi kā BĪSTAMI, BRĪDINĀJUMS vai UZMANĪBU, tiek izmantoti kopā ar brīdinājuma simbolu, lai norādītu uz traumas iespējamību un potenciālo bīstamību. Turklāt, lai norādītu riska tipu, var tikt lietots drošības signāls.

BĪSTAMI norāda uz risku, kas gadījumā, ja netiek novērsts, **var būt nāves vai nopietnu ievainojumu cēlonis.**

BRĪDINĀJUMS norāda uz risku, kas gadījumā, ja netiek novērsts, **var būt nāves vai nopietnu ievainojumu cēlonis.**

UZMANĪBU norāda uz risku, kas gadījumā, ja netiek novērsts, **var būt vieglu vai vidēji smagu ievainojumu cēlonis.**

IEVĒRĪBAI norāda uz situāciju, kas var būt izstrādājuma bojājumu cēlonis.

Bīstamības simboli un to nozīme

Zīme	Nozīme	Zīme	Nozīme
	Drošības informācija par bīstamām situācijām, kuru rezultātā var būt miesas bojājumus.		Pirms sākat strādāt ar šo iekārtu vai tās apkopi, uzmanīgi izlasiet un izprotiet šo īpašnieka rokasgrāmatu.
	Uzliesmošanas risks		Sprādzienbīstami.

Zīme	Nozīme	Zīme	Nozīme
	Trieciena bīstamība.		Toksisku dūmu bīstamība
	Karstas virsmas bīstamība.		Trokšņa risks - ilgstošas lietošanas gadījumā tiek ieteikts lietot ausu aizsardzības līdzekļus.
	Izmetu priekšmetu risks - Lietojiet acu aizsardzības līdzekļus.		Sprādzienbīstami.
	Apsaldējumu bīstamība.		Atsietna bīstamība
	Amputācijas risks - kustīgas detaļas		Ķīmiska bīstamība
	Karstuma radīts risks		Kodīgs

Drošības paziņojumi

BRĪDINĀJUMS

Daži šī izstrādājuma un ar to saistīto piederumu komponenti satur ķīmikālijas, kas izraisa vēzi, iedzīmas kaites vai citādi apdraud reproduktīvās funkcijas. Obligāti mazgājiet rokas pēc darba ar minētām daļām!

BRĪDINĀJUMS

Kalifornijas štatā tika konstatēts, ka izplūde no šīs iekārtas dzinēja satur ķīmikālijas, kas izraisa vēzi, iedzīmas kaites vai citādi apdraud reproduktīvās funkcijas.

BRĪDINĀJUMS

Briggs & Stratton dzinēji nav paredzēti turpmāk uzskaitītai lietošanai, un tos nedrīkst lietot, lai darbinātu: izpriecu kartingus, kartingus, bērnu, atpūtas vai sporta bezceļu transportlīdzekļus (ATV); motociklus; transportlīdzekļus uz gaisa spilvena; lidojošas iekārtas vai transportlīdzekļus, kurus izmanto sacensībās, ko nav atļāvis Briggs & Stratton. Sīkākai informācijai par auto sacensību produktiem, skatiet www.briggsracing.com. Lietošanai ar pakalpojumu automašīnām un kvadracikliem, lūdzu, sazinieties ar Briggs & Stratton Engine Application Center, 1-866-927-3349. Nepareiza dzinēja lietošana var izraisīt smagas traumas vai nāvi.

BRĪDINĀJUMS

Degviela un tās tvaiki ir viegli uzliesmojošas un sprāgstošas vielas.

Uguns vai sprādziens var izraisīt smagus apdegumus vai nāvi.

Uzpildot degvielu

- Pirms noņemt degvielas tvertnes vāciņu, izslēdziet dzinēju un ļaujiet tam atdzist vismaz 3 minūtes.
- Uzpildiet degvielu tikai ārpus telpām vai labi vēdināmā vietā.
- Uzmanieties, lai degviela nesāktu pārplūst no degvielas tvertnes. Lai degviela varētu izplesties, neuzpildiet augstāk par degvielas tvertnes kakliņa apakšmalu.
- Degvielas tuvumā nedrīkst būt dzirksteles, atklātas liesmas, signāllampaiņas, siltuma avoti vai citi uzliesmošanas avoti.
- Bieži pārbaudiet visus degvielas kanālus, tvertni, vāciņu un stiprinājumus, vai tajos nav plaisu un sūču. Nomainiet, ja nepieciešams.
- Ja degviela izlīst, pagaidiet, kamēr tā iztvaiko, un tikai tad iedarbiniet dzinēju.

Iedarbinot dzinēju

- Pārliecinieties, ka aizdedzes svece, slāpētājs, degvielas tvertnes vāciņš un gaisa filtrs (ja uzstādīts) ir savās vietās un nofiksēti.
- Neiedarbiniet dzinēju, ja izņemta aizdedzes svece.
- Ja dzinējs pārplūst, iestatiet gaisa vārstu (ja uzstādīts) pozīcijā OPEN / RUN (ATVĒRTS/DARBINĀT), pārslēdziet droseļi (ja uzstādīta) pozīcijā FAST (ĀTRI) un iedarbiniet, līdz dzinējs sāk darboties.

Strādājot ar iekārtu

- Nesasveriet dzinēju vai iekārtu tādā leņķī, kas izraisa degvielas izlīšanu.
- Neslāpējiet karburatoru, lai apturētu dzinēju.
- Nekad neiedarbiniet vai nedarbiniet dzinēju, kad noņemts gaisa attīrītāja mezgls (ja ir aprīkojumā) vai gaisa filtrs (ja ir aprīkojumā).

Kad mainīt eļļu

- Ja eļļa tiek izvadīta, izmantojot augšējo eļļas uzpildes cauruli, degvielas tvertnei jābūt tukšai, jo degviela var izplūst un var izraisīt aizdegšanos vai sprādzienu.

Ja iekārtu ir nepieciešams sasvērt apkalpošanas veikšanai

- Veicot apkopes darbus, kuru laikā iekārtai ir jāatrodas sasvērtā stāvoklī, uz dzinēja uzstādītajai degvielas tvertnei jābūt tukšai, pretējā gadījumā var notikt degvielas noplūde, kas var izraisīt uzliesmojumu vai sprādzienu.

Transportējot iekārtu

- Transportējiet ar TUKŠU degvielas tvertni vai ar degvielas slēgvārstu SLĒGTĀ pozīcijā.

Uzglabājot degvielu vai iekārtu ar degvielu tvertnē

- Turiet tos attālu no krāsnīm, boileriem un citām līdzīgām ierīcēm, kurām ir signāllampīņas, vai citiem uzliesmošanas avotiem, jo tie var aizdedzināt degvielas tvaikus.



Dzinēja iedarbināšana izraisa dzirksteļošanu.

Dzirkstis var aizdedzināt klāt esošās uzliesmojošās gāzes.

Tas var izraisīt eksploziju un ugunsgrēku.

- Neiedarbiniet dzinēju, ja tuvumā ir dabasgāzes vai šķidrās propāna gāzes (LP) noplūde.
- Neizmantojiet saspiestus iedarbināšanas šķidrums, jo to tvaiki var būt uzliesmojoši.



INDĪGAS GĀZES BĪSTAMĪBA. Dzinēja izplūdes gāzes satur tvana gāzi, tā ir indīga gāze, kas var nogalināt jūs dažās minūtēs. **To NEVAR redzēt, saost vai sajūst ar garšu. Pat tad, ja nevarat saost izplūdes dūmus, tāpat pastāv iespējama, ka uz jums iedarbojas tvana gāze. Ja sajūtat nelabumu, reiboni vai vājumu, kad lietojat iekārtu, NEKĀVĒJOTIES izslēdziet to un izejiet svaigā gaisā. Vērsieties pie ārsta. Iespējams, jums ir saindēšanās ar tvana gāzi.**

- Darbiniet šo izstrādājumu TIKAI ārā atstātus no logiem, durvīm un ventilācijas atverēm, lai samazinātu risku, ka tvana gāze uzkrājas un potenciāli nokļūst dzīvojamā zonā.
- Uzstādiet tvana gāzes signalizatoru ar baterijām vai no ligzdas barojamus tvana gāzes signalizatorus ar bateriju rezerves barošanu saskaņā ar ražotāja instrukcijām. Dūmu detektorī nevar konstatēt tvana gāzi.
- NEDARBINIET šo izstrādājumu mājās, garāžā, pagrabā, tehniskajos starpstāvos, šķūnī vai citā daļēji slēgtā telpā, pat ja izmantojat ventilatorus vai atverat durvis un logus, lai nodrošinātu ventilāciju. Šajās vietās tvana gāze var ātri uzkrāties un saglabāties vēl stundām pēc tam, kad izstrādājums ir izslēgts.
- VIEMĒR novietojiet šo izstrādājumu pa vējam un vērsiet dzinēja izplūdes gāzes tā, lai tās virzītos prom no apdzīvotām telpām.



Startera auklas strauja ievilkšanās (atsitiens) vils jūsu roku dzinēja virzienā atpakaļ, kā jūs spēsiet atlaist roku.

Tas var izraisīt kaulu lūzumus, plīsumus, skrāpējumus vai zilumus.

- Iedarbinot dzinēju, lēnām velciet startera auklu līdz sajūtat pretestību, tad paraujiet strauji, lai izvairītos no atsitienu.

- Pirms dzinēja iedarbināšanas noņemiet visas ārējās iekārtas/dzinēja noslodzi.
- Tieši pievienotām iekārtas sastāvdaļām, piemēram, bet ne tikai, asmeņiem, lāpstņiriteņiem, trīšiem, zobratiem u.tml. ir jābūt droši piestiprinātiem.



Rotējošas daļas var pieskarties vai saistīties ar rokām, kājām, matiem, apģērbu vai piederumiem.

Rezultāts var būt traumatiska amputācija vai smagas plēstas brūces.

- Darbiniet iekārtu ar uzstādītiem aizsarglīdzekļiem.
- Turiet rokas un kājas atstātus no rotējošām daļām.
- Garus matus sasieniet un noņemiet rotaslietas.
- Nevalkājjiet vaļīgu apģērbu, apģērbu ar brīvām auklām vai citiem elementiem, kas varētu aizķerties.



Dzinēji strādājot uzkarst. dzinēja daļas, īpaši slāpētājs, ļoti stipri sakarst.

Pieskaroties tām var iegūt smagus apdegumus.

Tādas degošas vielas kā nokritušas koka lapas, zāle, krūmāji utt. var uzliesmot.

- Pirms pieskaraties, ļaujiet slāpētājam, dzinēja cilindram un ribām atdzist.
- Novāciet sakrājušos gružus no slāpētāja un cilindra virsmas.
- Tas klasificējas kā Kalifornijas Publisko resursu likuma, sadaļas 4442, pārkāpums izmantot dzinēju meža, krūmu vai zāles klātās teritorijās, ja izplūdes sistēma nav aprīkota ar dzirksteļu uztvērēju, kā norādīts sadaļā 4442, un tas netiek pienācīgi apkopts. Citās pavalstīs vai federālās jurisdikcijas spēkā var būt līdzīgi normatīvi akti. Sazinieties ar ražotāju, mazumtirgotāju vai izplatītāju, lai iegūtu dzirksteļu uztvērēju, kas paredzēts izplūdes sistēmai, kas uzstādīta šim dzinējam.



Nejauša dzirksteļošana var izraisīt ugunsgrēku vai elektrisko šoku.

Nejauša iedarbināšana var izraisīt ieraušānu, traumātisku amputāciju vai plēstas brūces.

Uzliesmošanas risks

Pirms veikt regulēšanas vai remontdarbus:

- Atvienojiet svečvadu un atlociet to nost no aizdedzes sveces.
- Atvienojiet akumulatoru pie negatīvās spaiļes (tikai dzinējiem ar elektrisko aizdedzi).
- Izmantojiet tikai pareizos instrumentus.
- Nemodificējiet regulatora atsperi, atsaites vai citas daļas, lai palielinātu dzinēja ātrumu.
- Rezerves daļām jābūt vienādas konstrukcijas un uzstādītām tajā pašā vietā, kur oriģinālās daļas. Citas daļas var nekalpot tik labi, var bojāt mašīnu un var izraisīt ievainojumu.
- Nesitiet pa spararatu ar āmuru vai cietu priekšmetu, jo spararats vēlāk darbības laikā var saplīst.

Veicot dzirksteles pārbaudi:

- Lietojiet tikai sertificētos aizdedzes sveču testerus.
- Nepārbaudiet dzirksteļi ar izņemtu aizdedzes sveci.

Funkcijas un vadības elementi

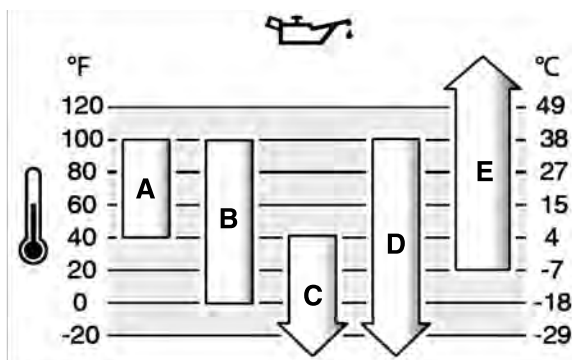
Dzinēja vadības elementi

Saīfdziniet ilustrāciju (attēls: 1, 2, 3, 4) ar jūsu dzinēju, lai iepazītos ar dažādām funkcijām un vadības elementu novietojumu.

- Dzinēja identifikācija **Modelis - Tips - Kods**
- Aizdedzes svece
- Degvielas tvertne un vāciņš
- Gaisa filtrs
- Startera auklas rokturis

- F. Eļļas iepildīšana un mērstienis
- G. Eļļas iztecināšanas korķis
- H. Klusinātājs, klusinātāja aizsargs (ja ir aprīkojumā), dzirksteļu slāpētājs (ja ir aprīkojumā)
- I. Gaisa vārsta vadība
- J. Droseles vadība (ja ir aprīkojumā)
- K. TransportGuard™ - degvielas un aizdedzes svira
- L. Gaisa iepļūdes atveres režģis
- M. Reduktora vienība (ja ir aprīkojumā)
- N. Apstādināšanas slēdzis (ja ir aprīkojumā)
- O. Elektriskais startera slēdzis (ja ir aprīkojumā) ¹

¹ Daži dzinēji un iekārtas ir aprīkoti ar tālvadību. Par distances vadības izvietojumu un darbināšanu skatīt iekārtu rokasgrāmatu.



A	SAE 30 - Ja SAE 30 eļļa tiek izmantota zem 40 ° F (4 ° C), tā varētu izraisīt apgrūtinātu iedarbināšanu.
B	10W-30 - Temperatūrās virs 80°F (27°C) 10W-30 var izraisīt palielinātu eļļas patēriņu. Biežāk pārbaudiet eļļas līmeni.
C	5W-30
D	Sintētiskā 5W30
E	Vanguard™ Synthetic 15W-50

Dzinēja vadības simboli un to nozīme

Simbols	Nozīme	Zīme	Nozīme
	Dzinēja ātrums - ĀTRS		Dzinēja ātrums - LĒNS
	Dzinēja ātrums - APTURĒTS		ON - OFF (IESLĒGTS / IZSLĒGTS)
	Dzinēja iedarbināšana - Drosele AIZVĒRTA		Dzinēja iedarbināšana - Drosele ATVĒRTA
	Degvielas tvertnes vāciņš Degvielas atslēgšana - ATVĒRTA		Degvielas atslēgšana - SLĒGTA
	Degvielas līmenis - Maksimums Nepārpildiet.		

Darbība

Ieteikumi par eļļu

Eļļas ietilpība: Skatiet *sadaļu Specifikācijas*.

IEVĒRĪBAI

Šis dzinējs tiek piegādāts no Briggs & Stratton bez eļļas. Iekārtas ražotāji vai izplatītāji var būt ielējuši eļļu dzinējā. Pirms iedarbināt dzinēju, pārbaudiet eļļas līmeni un uzpildiet eļļu saskaņā ar šīs rokasgrāmatas instrukcijām. Ja iedarbināsiet motoru bez eļļas, tas tiks sabojāts tā, ka to nevarēs salabot, un šādus bojājumus nesedz garantija.

Mēs iesakām izmantot Briggs & Stratton garantijas prasībām atbilstošas eļļas, lai nodrošinātu vislabāko iekārtas darbību. Citas eļļas ar mazgājošām piedevām drīkst lietot, ja to servisa klase ir SF, SG, SH, SJ vai augstāka. Neizmantojiet speciālās piedevas.

Piemērotā dzinēja eļļas viskozitāte tiek izvēlēta, vadoties no āra temperatūras. Izmantojiet tabulu, lai izvēlētos labāko viskozitāti paredzamajam āra temperatūras diapazonam. Dzinēji vairumam ārpus telpām paredzētajām iekārtām labi darbojas ar 5W-30 sintētisko eļļu. Iekārtām, kas darbojas augstā temperatūrā, vislabāko aizsardzību nodrošina Vanguard™ 15W-50 sintētiskā eļļa.

Pārbaudiet eļļas līmeni

Skatīt attēlu 5

Pirms eļļas pieļiešanas vai eļļas līmeņa pārbaudes

- Pārliecinieties, ka dzinējs ir horizontāli.
- Notīriet eļļas uzpildes zonu no gružiem.

1. Izņemiet mērstieni (A, attēls 5) un noslaukiet ar tīru drānu.
2. Izņemiet mērstieni (A, attēlu 5). **Negrieziet un nepievelciet.**
3. Izņemiet mērstieni un pārbaudiet eļļas līmeni. Pareizais eļļas līmenis ir pilnās tvertnes indikatora augšpusē (B, attēls 5) uz mērstieņa.
4. Ja eļļas līmenis ir zems, lēnām pieļiejiet eļļu motoreļļas iepildīšanas atverē (C, attēls 5). Uzpildiet līdz vietai, kad sākas pārplūšana.
5. Atkal montējiet un pievelciet mērstieni (A, attēls 5).

Sistēma aizsardzībai no zema eļļas līmeņa (ja uzstādīta)

Daži motori ir aprīkoti ar zema eļļas līmeņa sensoru. Ja eļļas līmenis ir zems, sensors vai nu aktivizēs brīdinājuma gaismu, vai arī apturēs motoru. Apturiet motoru un veiciet tālāk aprakstītās darbības pirms motora atkārtotas iedarbināšanas.

- Pārliecinieties, ka dzinējs atrodas horizontāli.
- Pārbaudiet eļļas līmeni. Skatiet nodaļu **Pārbaudiet eļļas līmeni**.
- Ja eļļas līmenis ir zems, pievienojiet atbilstošu eļļas apjomu. Iedarbiniet motoru un pārliecinieties, ka netiek aktivizēta brīdinājuma gaisma (ja tāda ir aprīkota).
- Ja eļļas līmenis ir zems, neiedarbiniet motoru. Sazinieties ar pilnvarotu Briggs & Stratton pārstāvi, lai tiktu veikta eļļas problēmas labošana.

Degvielas rekomendācijas

Degvielai jāatbilst sekojošām prasībām:

- Tīrs, bezsvina benzīns, kuram nav beidzies lietošanas termiņš.
- Oktānskaitlis vismaz 87 / 87 AKI (91 RON). Lietošana lielā augstumā, skatiet zemāk.
- Ir pieļaujams benzīns ar līdz 10% etanola līmenim.

IEVĒRĪBAI Neizmantojiet neapstiprināta veida benzīnu, piem., E15 vai E85. Nepieļaujiet benzīnā eļļu un nemodificējiet motoru, lai tas darbotos ar citām degvielām. Neatļautu degvielas veidu izmantošana var izraisīt dzinēja daļu defektus, kurus nesegs garantija.

Lai aizsargātu degvielas sistēmu no nosēdumu veidošanās, pieļaujiet degvielai degvielas stabilizētāju. Skatiet nodaļu **Uzglabāšana**. Visas degvielas nav vienādas. Ja parādās iedarbināšanas vai snieguma problēmas, nomainiet degvielas piegādātāju vai marku. Šis dzinējs ir sertificēts darbam ar benzīnu. Emisiju kontroles sistēma šim dzinējam ir EM (dzinēja modifikācijas).

Liels augstums

Strādājot vietās, kur augstums virs jūras līmeņa pārsniedz 5000 pēdas (1524 metrus), var lietot benzīnu, kura oktāna skaitlis ir vismaz 85 (minimums) / 85 AKI (89 RON).

Motoriem ar karburatoru ir nepieciešams veikt īpašu pielāgošanu darbībai lielā augstumā, lai saglabātu sniegumu. Darbs bez šiem uzlabojumiem izraisīs samazinātu sniegumu, palielinās degvielas patēriņu un palielinās emisijas. Sazinieties ar pilnvarotu Briggs & Stratton pārstāvi, lai iegūtu informāciju par liela augstuma pielāgojumiem. Ja motors ir noregulēts darbībai lielā augstumā, nav ieteicams to lietot augstumā, kas zemāks par 2 500 pēdām (762 metriem) virs jūras līmeņa.

Motoriem ar elektronisko degvielas iesmidzināšanu (Electronic Fuel Injection, EFI), darbam lielā augstumā īpaša pielāgošana nav nepieciešama.

Pielejiet degvielu

Skaftīt attēlu 6



BRĪDINĀJUMS

Degviela un tā garaiņi ir ārkārtīgi viegli uzliesmojoši un sprādzienbīstami.

Uguns vai sprādziens var izraisīt smagus apdegumus vai nāvi.

Uzpildot degvielu

- Pirms noņemt degvielas tvertnes vāciņu, izslēdziet motoru un ļaujiet tam atdzist vismaz 2 minūtes.
- Uzpildiet degvielu tikai ārpus telpām vai labi vedināmās telpās.
- Uzmanieties, lai degviela nesāktu pārplūst no degvielas tvertnes. Lai ļautu degvielai izplesties, neuzpildiet pāri degvielas tvertnes kakliņa apakšai.
- Degvielas tuvumā nedrīkst būt dzirksteles, atklātas liesmas, signāllampiņas, siltuma avoti vai citi uzliesmošanas avoti.
- Bieži pārbaudiet visus degvielas kanālus, tvertni, vāciņu un stiprinājumus, vai tajos nav plaisu un sūču. Nomainiet, ja nepieciešams.
- Ja degviela izlīst, pagaidiet, kamēr tā iztvaiko, un tikai tad iedarbiniet motoru.

1. Notīriet degvielas tvertnes vāciņu no netīrumiem un gružiem. Noņemiet degvielas tvertnes vāciņu.
2. Piepildiet degvielas tvertni (A, attēls 6) ar degvielu. Lai degviela varētu izplesties, neuzpildiet virs degvielas tvertnes ielietnes kakliņa apakšu (B).
3. Uzlieciet atpakaļ degvielas tvertnes vāciņu.

Motora iedarbināšana un apturēšana

Skaftīt attēlu: 7, 8

Iedarbiniet dzinēju



BRĪDINĀJUMS

Startera auklas strauja ievilkšanās (atsitiens) vīls jūsu roku motora virzienā ātrāk, kā jūs spēšiet atlaist roku.

Tas var izraisīt kaulu lūzumus, plīsumus, skrāpējumus vai zilumus.

- Kad iedarbināt motoru, pavelciet startera auklu lēnām, līdz ir jūtama pretestība, un pēc tam paraujiet strauji, lai izvairītos no atsitienu.



BRĪDINĀJUMS

Degviela un tā garaiņi ir ārkārtīgi viegli uzliesmojoši un sprādzienbīstami.

Uguns vai sprādziens var izraisīt smagus apdegumus vai nāvi.

Iedarbinot dzinēju

- Pārliecinieties, ka aizdedzes svece, slāpētājs, degvielas tvertnes vāciņš un gan gaisa filtrs (ja uzstādīts) ir savās vietās un nofiksēti.
- Neiedarbiniet motoru, ja nav pieslēgta aizdedzes svece.
- Ja motors pārplūst, iestatiet gaisa vārstu (ja uzstādīta) pozīcijā ATVĒRTS vai DARBINĀT, pārslēdziet droseles (ja uzstādīta) pozīcijā ĀTRI un iedarbiniet, līdz motors sāk darboties.



BRĪDINĀJUMS

INDĪGAS GĀZES BĪSTAMĪBA. Motora izplūdes gāzes satur tvana gāzi, tā ir indīga gāze, kas var nogalināt jūs dažās minūtēs. To NEVAR redzēt, saost vai sajūst ar garšu. Pat tad, ja nevarat saost izplūdes dūmus, tāpat pastāv iespējamība, ka uz jums iedarbojas tvana gāze. Ja sajūtat nelabumu, reiboni vai vājumu, kamēr lietojat šo izstrādājumu, NEKAVĒJOTIES izslēdziet to un izejiet svaigā gaisā. Sazinieties ar ārstu. Iespējams, jums ir saindēšanās ar tvana gāzi.

- Lietojiet šo izstrādājumu TIKAI ārpus telpām, attālumā no logiem, durvīm vai ventilācijas lūkām, lai samazinātu risku, ka oglekļa monoksīds var sakrāties un nokļūt dzīvojamās telpās.
- Uzstādiēt tvana gāzes signalizatoru ar baterijām vai no kontaktilgzsda barojamu tvana gāzes signalizatorus ar bateriju rezervi saskaņā ar ražotāja instrukcijām. Dūmu detektorī nevar konstatēt tvana gāzi.
- NEDARBINIET šo izstrādājumu mājās, garāžā, pagrabā, tehniskajos starpstāvos, šķūnī vai citā daļēji slēgtā telpā, pat ja izmantojat ventilatorus vai atverat durvis un logus, lai nodrošinātu ventilāciju. Šajās vietās tvana gāze var ātri uzkrāties un saglabāties vēl stundām pēc tam, kad izstrādājums ir izslēgts.
- Šo izstrādājumu VIENMĒR novietojiet pa vējam un tā, lai dzinēja izplūdes gāzes būtu novirzītas prom no dzīvojamām telpām.

IEVĒRĪBAI Šis motors tiek piegādāts no Briggs & Stratton bez eļļas. Pirms iedarbināt motoru, uzpildiet eļļu saskaņā ar šīs rokasgrāmatas instrukcijām. Ja iedarbināsiet motoru bez eļļas, tas tiks sabojāts tā, ka to nevarēs salabot, un šādus bojājumus nesedz garantija.

Piezīme: * Iekārta var būt ar distances vadību Par distances vadības izvietojumu un darbināšanu skaftīt iekārta rokasgrāmatu.

1. Pārbaudiet dzinēja eļļu. Skatiet nodaļu **Pārbaudiet eļļas līmeni**.
2. Pārliecinieties, ka iekārtas piedziņas vadības elementi, ja ir aprikojumā, ir atvienoti.
3. Pagrieziet degvielas vai aizdedzes sviru (A, attēls 7), ja ir aprikojumā, ieslēgtā vai STARTS pozīcijā.
4. Virziet droseles vadību (B, 7. attēls), ja ir aprikojumā, uz FAST (ĀTRS) stāvokli. Darbiniet motoru ātrajā pozīcijā.
5. Pagrieziet droseles vadību (C, attēls 7, 8) uz stāvokli AIZVĒRTS.

Piezīme: Droseles vadību parasti nav vajadzīga, ja atkārtoti iedarbināt siltu motoru.

6. Pārviētojiet apturēšanas slēdzi (E, attēls 8), ja tāds ir uzstādīts, pozīcijā "ieslēgts".
7. **Iegriežamais starteris (Rewind Starter), ja tas ir aprikojumā** Stingri satveriet startera virves rokturi (D, attēls 7, 8). Lēnām velciet startera auklas rokturi, līdz sajūtat pretestību, tad raujiet strauji.



BRĪDINĀJUMS

Strauja startera auklas ieraušana atpakaļ (atsitiens) var paraut plaukstu un roku uz motora pusi ātrāk nekā jūs varēsiet palaist to vajā. Tas var izraisīt kaulu lūzumus, plīsumus, skrāpējumus vai zilumus. Kad iedarbināt motoru, pavelciet startera auklu lēnām, līdz ir jūtama pretestība, un pēc tam paraujiet strauji, lai izvairītos no atsitienu.

8. **Elektriskais starteris, ja ir aprikojumā** Pagrieziet elektriskās iedarbināšanas slēdzi (F, attēls 8) uz ieslēgtu vai iedarbināšanas stāvokli.

IEVĒRĪBAI IEVĒRĪBAI: Lai pagarinātu startera darbību, veiciet īsus palaišanas ciklus (maksimāli piecas sekundes) Starp palaišanas cikliem nogaidiet vienu minūti.

9. Kad dzinējs iesilis, virziet droseles vadību (C, attēls 7, 8) uz OPEN (atvērta) stāvokli.

Piezīme: Ja dzinējs pēc vairākiem mēģinājumiem neiedarbojas, sazinieties ar vietējo izplatītāju vai pārejiet uz VanguardEngines.com vai zvaniet uz **1-800-999-9333** (ASV).

Apturiet dzinēju



BRĪDINĀJUMS

Degviela un tā garaiņi ir ārkārtīgi viegli uzliesmojoši un sprādzienbīstami.

Uguns vai sprādziens var izraisīt smagus apdegumus vai nāvi.

- Nekad neslēpjiet motoru ar droseles palīdzību.

1. **Stop slēdzis, ja ir aprikojumā** Pagrieziet apturēšanas slēdzi (E, attēls 8) uz pozīciju STOP.

Degvielas un aizdedzes svira, ja ietilpst aprīkojumā: Pagrieziet degvielas/aizdedzes sviru (A, attēls 7) izslēgtā vai STOP pozīcijā.

- Elektriskais starteris, ja ir aprīkojumā** Izņemiet atslēgu. Uzglabājiet atslēgu bērniem nepieejamā vietā.

Apkope

IEVĒRĪBAI Ja motors glabāšanas apstākļos tiek sagāzts, degvielas tvertnei (ja tā montēta uz motora) jābūt tukšai, un aizdedzes sveces pusei jābūt vērstai uz augšu. Ja degvielas tvertne nav tukša un ja motors tiek sagāzts jebkurā citā virzienā, var rasties sarežģījumi iedarbināt motoru, jo eļļa vai benzīns ir piesārņojuši gaisa filtru un/vai aizdedzes sveci.



BRĪDINĀJUMS

Veicot apkalpošanas darbus, kuru laikā iekārtai ir jāatrodas nolietā stāvoklī, degvielas tvertnei jābūt tukšai, citādi var notikt degvielas noplūde, kas var izraisīt uzliesmojumu vai sprādzienu.

Mēs iesakām jums vērsties pie jebkura Briggs & Stratton autorizēta pārstāvja dzinēja un dzinēja daļu visas apkopes un servisa veikšanai.

IEVĒRĪBAI Lai darbība būtu pareiza, visām dzinēja izgatavošanā izmantotajām sastāvdaļām jāpaliek savās vietās.



BRĪDINĀJUMS



Nejauša dzirksteļošana var izraisīt uguni vai elektriskās strāvas triecienu.

Nejauša iedarbināšana var izraisīt iesprūšanu, locekļu zaudēšanu vai plēstas brūces.

Uzliesmošanas risks

Pirms regulēšanas vai remonta

- Atvienojiet sveces vadu un atlociet to nost no aizdedzes sveces.
- Atvienojiet akumulatoru baterijas negatīvo spaili (tikai dzinējiem ar elektrisko iedarbināšanu).
- Izmantojiet tikai pareizos instrumentus.
- Neaiztieci regulatora atsperi, savienojumus vai citas daļas, lai palielinātu dzinēja ātrumu.
- Rezerves daļām jābūt vienādas konstrukcijas un uzstādītām tajā pašā vietā, kur oriģinālās daļas. Citas daļas var nekalpot tik labi, var bojāt mašīnu un var izraisīt traumas.
- Nesītiēt pa spararatu ar āmuru vai cietu priekšmetu, jo spararats vēlāk darbības laikā var saplīst.

Pārbaudot dzirksteli

- Ietītiēt tikai sertificētos testerus.
- Nekad neveiciet tādas pārbaudes ar noņemtu aizdedzes sveci.

Emisiju kontroles apkalpošana

Emisiju kontroles iekārtu un sistēmu apkalpošanu, aizvietošanu vai remontu var veikt jebkurš apvidus transportlīdzekļu dzinēju remonta darbnīca vai speciālists. Tomēr, lai iegūtu bezmaksas emisiju kontroles apkalpošanu, šie darbi ir jāveic pie ražotāja pilnvarotā izplatītāja. Skatīt Emisiju kontroles deklarācijas.

Tehniskās apkopes grafiki

Pirmās 5 stundas
<ul style="list-style-type: none"> Nomainiet eļļu
Ik pēc 8 stundām vai katru dienu
<ul style="list-style-type: none"> Pārbaudiet motoreļļas līmeni Notīriet vietu ap klusinātāju un vadības elementiem Gaisa ieplūdes atveres režģis
Ik pēc 25 stundām vai katru gadu
<ul style="list-style-type: none"> Iztīriet gaisa filtru ¹ Iztīriet rupjo filtru ¹
Ik pēc 50 stundām vai katru gadu

<ul style="list-style-type: none"> Nomainiet motoreļļu Veiciet izplūdes sistēmas apkopi
Ik pēc 100 stundām
<ul style="list-style-type: none"> Nomainiet reduktora eļļu (ja nepieciešams)
Katru gadu
<ul style="list-style-type: none"> Nomainiet aizdedzes sveci Nomainiet gaisa filtru Nomainiet rupjo filtru Veiciet degvielas sistēmas apkopi Veiciet apkopi dzesēšanas sistēmai ¹ Pārbaudiet vārsta atstarpas ²

¹ Biežāk ir jātīra putekļainos apstākļos vai gaisā esošu grūžu gadījumā.

² Nav jāveic, ja vien nav konstatētas problēmas dzinēja darbībā.

Karburators un dzinēja apgriezieni

Nekad neveiciet izmaiņas karburatora vai dzinēja apgriezīnu iestatījumos. Karburators ir neregulēts rūpnīcā efektīvai darbībai lielākajā daļā apstākļu. Neaiztieci regulatora atsperi, savienojumus vai citas daļas, lai mainītu dzinēja ātrumu. Ja ir nepieciešams veikt kādus regulējumus, griezieties Briggs & Stratton Pilnvarotā dīlera servisa centrā.

IEVĒRĪBAI Aprīkojuma ražotājs ir definējis maksimālo ātrumu motoram, kas montēts aprīkojumam. **Nepārsniedziet** šo ātrumu. Ja neesat drošs par to, kāds ir aprīkojuma maksimālais ātrums, vai kāds ātrums motoram ir iestatīts rūpnīcā, griezieties Briggs & Stratton Pilnvarotā dīlera servisa centrā. Lai pareizi un droši lietotu aprīkojuma, motora ātrumu vajadzētu noregulēt tikai kvalificētam servisa tehnikam.

Veiciet aizdedzes sveces apkopi.

Skatīt attēlu 9

Pārbaudiet atstarpas (A, Attēls 9) ar stieples kalibru (B) Ja ir nepieciešams, iestatiet atstarpas leviotietojiet un pievelciet aizdedzes sveci ar ieteikto griezes momentu Par atstarpes vai griezes momenta iestatīšanu, skatīt nodaļu **Specifikācijas**.

Piezīme: *Dažos reģionos vietējie likumi prasa izmantot rezistora aizdedzes sveci, lai apslāpētu aizdedzes signālus Ja šis dzinējs sākotnēji bija aprīkots ar aizdedzes sveci ar rezistoru, nomainiet izmantojiet tāda paša tipa aizdedzes sveci.

Veiciet izplūdes sistēmas apkopi



BRĪDINĀJUMS



Darbojoties motors uzkarst. Dažas motora daļas, piemēram, slāpētājs, var ļoti sakarst.

Saskares gadījumā var rasties smagi apdegumi.

Ugunsdroši priekšmeti, piemēram, lapas, zāle, krūmājs utt. var aizdedties.

- Ja jums nepieciešams pieskarties slāpētājam, motora cilindram vai radiatora ribām, ļaujiet tām no sākuma atdzist.
- Sekoiet tam, lai apkārt slāpētājam un cilindram nesavāktos gruži.
- Kalifornijas Publisko resursu likuma, sadaļa 4442 nosaka, ka ir aizliegts izmantot motoru meža, krūmu vai zāles klātās teritorijās, ja izplūdes sistēma nav aprīkota ar dzirksteļu uztvērēju, kā norādīts sadaļā 4442, un tas netiek pienācīgi apkopots. Citās valstīs vai federālās jurisdikcijas subjektos spēkā var būt līdzīgiem normatīvajiem aktiem. Sazinieties ar ražotāju, vairumtirgotāju vai izplatītāju, lai iegūtu dzirksteļu uztvērēju, kas paredzēts izplūdes sistēmai, kas uzstādīta šim motoram.

Sekoiet tam, lai apkārt slāpētājam un cilindram nesavāktos gruži. Apskatiet, vai klusinātājam nav plaisas, korozija vai citi bojājumi. Neņemiet dzirksteļu slāpētāju, ja tas aprīkots, apskatiet, vai nav bojājumi vai oglekļa radīti aizbīvējumi. Ja atrasts bojājums, pirms darba uzsākšanas iemontējiet nomaināmās daļas.



BRĪDINĀJUMS

Rezerves daļām jābūt vienādas konstrukcijas un uzstādītām tajā pašā vietā, kur oriģinālās daļas. Citas daļas var nekalpot tik labi, var bojāt mašīnu un var izraisīt traumas.

Nomainiet motoreļļu

Skatīt attēlu: 10, 11

Izlietotā eļļa ir bīstams atkritumprodukts, un tā pareizi jāutilizē. Neizmetiet ar saimniecības atkritumiem. Sazinieties ar vietējām iestādēm, servisa centru vai pārstāvi, lai uzzinātu, kur atrodas utilizācijas/pārstrādes punkti.

Izlejiet eļļu

1. Ar izslēgtu, bet vēl arvien siltu motoru atvienojiet sveces vadu (D, attēls 10) un turiet to atstātus no aizdedzes sveces (E).
2. Izņemiet mērstieni (A, attēls 11).
3. Izņemiet eļļas izlaišanas aizbāzni (F, Attēls 11). Izceciniet eļļu atbilstošā tvertnē.

Piezīme: Dzinējā ir uzstādīti dažādi eļļas izlaišanas aizbāžņi (G, attēls 11).

4. Kad eļļa izlaista, ievietojiet un pievelciet eļļas izlaišanas aizbāzni (F, attēls 11).

Pielejiet eļļu

- Pārļiecinieties, ka dzinējs ir horizontāli.
- Notīriet eļļas uzpildes zonu no gružiem.
- Skatiet eļļas uzpildes daudzumu sadaļā **Specifikācijas**.

1. Izņemiet mērstieni (A, attēls 11) un noslaukiet ar tīru drānu.
2. Lēnām ielejiet eļļu motora eļļas iepildīšanas atverē (C, attēls 11). Uzpildiet līdz vietai, kad sākas pārplūšana.
3. Montējiet mērstieni (A, attēls 11). **Negrieziet un nepievelciet.**
4. Izņemiet mērstieni un pārbaudiet eļļas līmeni. Pareizais eļļas līmenis ir pilnās tvertnes indikatora augšpusē (B, attēls 11) uz mērstieņa.
5. Atkal montējiet un pievelciet mērstieni (A, attēls 11).
6. Pievienojiet aizdedzes sveces vadu (D, attēls 10) pie aizdedzes sveces (E).

Nomaniet reduktora eļļu

Skatīt attēlu: 12, 13

6:1 reduktors (attēls 12)

Ja jūsu dzinējs ir aprīkots ar 6:1 reduktora vienību, veiciet apkopi šādā veidā:

1. Noņemiet eļļas iepildīšanas aizbāzni (A, attēls 12) un eļļas līmeņa aizbāzni (B).
2. Noņemiet eļļas izlaišanas aizbāzni (C, attēls 12) un izlaidiet eļļu piemērotā tvertnē.
3. Atkal montējiet un pievelciet eļļas izlaišanas aizbāzni (C, attēls 12).
4. Lai veiktu eļļas papildināšanu, lēnām ielejiet zobratu smērvielu (skat. nodaļu **Specifikācijas**) eļļas iepildes atverē (D, attēls 12). Turpiniet liet, līdz eļļa sāk tecēt ārā no eļļas līmeņa atveres (E).
5. Atkal montējiet un pievelciet eļļas līmeņa aizbāzni (B, attēls 12).
6. Atkal montējiet un pievelciet eļļas iepildes aizbāzni (A, attēls 12).

Piezīme: Eļļas iepildes aizbāžņim (A, attēls 12) ir ventilācijas atvere (F) un tā ir jāmontē pārnesumu kārbās pārsegā, kā parādīts attēlā.

2:1 reduktors (attēls 13)

2:1 reduktoram (G, attēls 13) nav nepieciešama eļļas mainīšana.

Apkopiet gaisa filtru

Skatīt attēlu: 14, 15, 16



Degviela un tā garaiņi ir ārkārtīgi viegli uzliesmojoši un sprādzienbīstami.

Uguns vai sprādziens var izraisīt smagus apdegumus vai nāvi.

- Nekādā gadījumā neiedarbiniet un nedarbiniet motoru ar noņemtu gaisa filtra mezglu (ja uzstādīts) vai gaisa filtru (ja uzstādīts).

IEVĒRĪBA Neizmantojiet saspiestu gaisu vai šķīdinātājus, lai iztīrītu filtru. Saspiests gaiss var bojāt filtru, šķīdinātāji izšķīdinās filtru.

Skatīt **Apkopes diagrammu**, kur norādītas apkopes prasības.

Atšķirīgos modeļos var tikt lietotas putas vai papīra filtrs. Daži modeļi ir arī aprīkoti ar rupjo filtru, kuru var mazgāt un izmantot vairākas reizes. Safīdziniet ilustrācijas šajā rokasgrāmatā ar tipu, kas montēts jūsu motoram, un veiciet atbilstošu apkopi.

Plakanais gaisa filtrs

1. Palaidiet vaļīgāk stiprinājumu(s) (A, attēls 14).
2. Noņemiet pārvalku (B, attēls 14).
3. Noņemiet stiprinājumu (D, attēls 14) un paplāksni (E).
4. Lai novērstu netīrumu iekļūšanu karburatorā, uzmanīgi noņemiet putu elementu (C, attēls 14) no gaisa filtra pamatnes (G).
5. Noņemiet atbalsta tvertni (F, attēls 14) no putu elementa (C).
6. Nomazgājiet putu elementu (C, 14. attēls) šķidrā mazgāšanas līdzeklī un ūdenī. Izspiediet putu elementu sausu tīrā drānā.
7. Piesātiniet putu elementu (C, 14. attēls) ar tīru motoreļļu. Lai iztecinātu lieko motoreļļu, saspiediet putu elementu tīrā drānā.
8. Ievietojiet atbalsta tvertni (F, attēls 14) putu elementā (C).
9. Montējiet putu elementu (C, attēls 14) pie gaisa filtra pamatnes (G) un uz tapas (H). Pārļiecinieties, ka putu elements ir pareizi montēts pie gaisa filtra pamatnes un nostipriniet ar paplāksni (E) un stiprinātāju (D).
10. Montējiet pārvalku (B, attēls 14) un nostipriniet ar stiprinātāju(-iem) (A). Pārļiecinieties, ka stiprinājums(-i) pieguļ cieši.

Papīra gaisa filtrs

1. Palaidiet vaļīgāk stiprinājumu(s) (A, attēls 15).
2. Noņemiet pārvalku (B, attēls 15).
3. Noņemiet stiprinājumu (E, attēls 15).
4. Lai novērstu netīrumu iekļūšanu karburatorā, uzmanīgi noņemiet rupjo filtru (D, attēls 15), ja ir aprīkots, un filtru (C) no gaisa filtra pamatnes (F).
5. Lai atdalītu gružus, uzmanīgi pasītiet filtru (C, attēls 15) pret cietu virsmu. Ja filtrs ir pārāk netīrs, nomainiet ar jaunu filtru.
6. Noņemiet rupjo filtru (D, attēls 15), ja ir aprīkots, no filtra (C).
7. Nomazgājiet rupjo filtru (D, attēls 15) šķidrā mazgāšanas līdzeklī un ūdenī. Ļaujiet rupjamajam filtram kārtīgi izžūt. **Neielejiet** rupjo filtru.
8. Uzstādiet sauso rupjo filtru (D, attēls 15), ja ir aprīkots, pie filtra (C).
9. Uzstādiet blīvgredzenu (H, attēls 15), filtru (C) un rupjo filtru (D), ja ir aprīkots, pie gaisa filtra pamatnes (F) un uz tapas (G). Pārļiecinieties, ka filtrs ir pareizi montēts pie gaisa filtra pamatnes un nostipriniet ar stiprinātāju (E).
10. Salieciet pārvalku (B, 15. attēls) un nostipriniet ar stiprinātāju(-iem) (A). Pārļiecinieties, ka stiprinājums(-i) pieguļ cieši.

Papīra gaisa filtrs

1. Palaidiet vaļīgāk stiprinājumu(s) (D, attēls 16).
2. Noņemiet pārvalku (A, attēls 16).
3. Noņemiet rupjo filtru (C, attēls 16), ja ietilpst aprīkojumā, un filtru (B).
4. Lai atdalītu gružus, uzmanīgi pasītiet filtru (B, attēls 16) pret cietu virsmu. Ja filtrs ir pārāk netīrs, nomainiet ar jaunu filtru.
5. Nomazgājiet rupjo filtru (C, attēls 16), ja ietilpst aprīkojumā, šķidrā mazgāšanas līdzeklī un ūdenī. Ļaujiet rupjamajam filtram kārtīgi izžūt. **Neielejiet** rupjo filtru.
6. Uzstādiet sauso rupjo filtru (C, attēls 16), ja ietilpst aprīkojumā, un filtru (B).
7. Montējiet vāku (A, 16. attēls) un nostipriniet ar stiprinājumu(-iem) (D). Pārļiecinieties, ka stiprinājums(-i) pieguļ cieši.

Apkope degvielas sistēmai

Skatīt attēlu: 17, 18



Degviela un tā garaiņi ir ārkārtīgi viegli uzliesmojoši un sprādzienbīstami.

Uguns vai sprādziens var izraisīt smagus apdegumus vai nāvi.

- Degvielas tuvumā nedrīkst būt dzirksteles, atklātas liesmas, signāllampiņas, siltuma avoti vai citi uzliesmošanas avoti.

- Bieži pārbaudiet visus degvielas kanālus, tvertni, vāciņu un stiprinājumus, vai tajos nav plaisu un sūču. Nomainiet, ja nepieciešams.
- wPirms degvielas filtra tīrīšanas vai nomainīšanas, iztukšojiet degvielas tvertni vai aizveriet degvielas slēgvārstu.
- Ja degviela izlīst, pagaidiet, kamēr tā iztvaiko, un tikai tad iedarbiniet motoru.
- wRezerves daļām ir jābūt tādām pašām un tās jāuzstāda tādā pašā stāvoklī kā oriģinālās daļas.

Degvielas filtrs, ja ir aprīkojumā

1. Pirms degvielas filtra tīrīšanas vai nomainīšanas (A, attēls 17), iztukšojiet degvielas tvertni vai aizveriet degvielas slēgvārstu. Citādi degviela var izplūst ārā un izraisīt uzliesmojumu vai sprādzienu.
2. Ar plakanknābiēm spiediet cilpiņas (B, attēls 17) uz savilcējiem (C), tad nobīdīet savilcējus no degvielas filtra (A). Groziet un velciet nost degvielas pievadus (D) no degvielas filtra.
3. Pārbaudiet, vai degvielas vadiem (D, attēls 17) nav noplūžu vai plaisu. Nomainiet, ja nepieciešams.
4. Nomainiet degvielas filtru (A, attēls 17) ar oriģinālo iekārtas nomainīšanas filtru.
5. Nostipriniet degvielas vadus (D, attēls 17) ar savilcējiem (C) kā parādīts attēlā.

Degvielas filtrs, ja ir aprīkojumā

1. Noņemiet degvielas tvertnes vāciņu (A, Attēls 18).
2. Noņemiet degvielas filtru (B, Attēls 18).
3. Ja degvielas filtrs ir netīrs, iztīriet vai nomainiet to. Ja jūs nomainiet grūzu sietiņu, pārliecinieties, ka izmantojiet oriģinālu iekārtas nomainīšanas grūzu sietiņu.

Apkope dzesēšanas sistēmai



BRĪDINĀJUMS

Darbojoties motors uzkarst. Dažas motora daļas, piemēram, slāpētājs, var ļoti sakarst.

Saskares gadījumā var rasties smagi apdegumi.

Ugunsdroši priekšmeti, piemēram, lapas, zāle, krūmājs utt. var aizdegties.

- Ja jums nepieciešams pieskarties slāpētājam, motora cilindram vai radiatora ribām, ļaujiet tām no sākuma atdzist.
- Sekojiet tam, lai apkārt slāpētājam un cilindram nesavāktos grūži.

IEVĒRĪBA! Neizmantojiet ūdeni lai tīrītu dzinēju. Ūdens var piesārņot degvielas sistēmu. Lai tīrītu dzinēju, lietojiet suku vai sausu drānu.

Šis ir dzinējs ar gaisa dzesēšanu. Netīrumi vai grūži var ierobežot gaisa plūsmu un var izraisīt dzinēja pārkaršanu, kas noved pie sliktas veiktspējas un samazināta dzinēja darbību.

1. Lietojiet slotu vai sausu lupatu grūžu noņemšanai no gaisa ieņēmēja zonas.
2. Savienojumu, atsperi un vadības ierīces uzturiet tīras.
3. Uzturiet vietu ap un aiz klusinātāja tīru no jebkādiem uzliesmojošiem grūžiem.
4. Sekojiet tam, lai uz eļļas dzesēšanas ribām nesakrātos netīrumi un grūži.

Pēc kāda laika, grūži var uzkrāties uz cilindra dzesēšanas ribām un izraisīt dzinēja pārkaršanu. Šos grūžus nevar noņemt bez daļējas dzinēja izjaukšanas. Uzticiet Briggs & Stratton autorizētam pārstāvim veikt apskati un gaisa dzesēšanas sistēmas tīrīšanu kā ieteikts Apkopes diagrammā.

Uzglabāšana



BRĪDINĀJUMS

Degviela un tās tvaiki ir viegli uzliesmojošas un sprādzienbīstamas vielas.

Uguns vai sprādziens var izraisīt smagus apdegumus vai nāvi.

Uzglabājot degvielu vai iekārtu ar degvielu tās tvertnē

- Uzglabājiet drošā attālumā no kurtuvēm, krāsnīm, boileriem un citām līdzīgām ierīcēm, kurām ir signāllampīņas, vai citiem uzliesmošanas avotiem, jo tie var aizdedzināt degvielas tvaikus.

Degvielas sistēma

Skatīt attēlu: 19

Glabājiet dzinēju līmeniski (parastā darba stāvoklī). Uzpildiet degvielas tvertni (A, Attēls 19) ar degvielu. Nepiepildiet augstāk par degvielas tvertnes kakliņu (B), lai ļautu degvielai izplēsties.

Ja degviela tiek uzglabāta ilgāk par 30 dienām, tā var sastāvēties. Sastāvējusies degviela atstās skābes un sveķu nogulsnes degvielas sistēmā vai uz svarīgām karburatora daļām. Lai degviela nesastāvētos, izmantojiet **Briggs & Stratton Pilnveidoto degvielas uzlabošanas līdzekli un stabilizatoru**, kuru var iegādāties visur, kur tiek tirgotas Briggs & Stratton oriģinālās rezerves daļas.

Ja degvielai atbilstoši instrukcijām tiek pievienots stabilizators, degvielu nevajag iztecināt no dzinēja. Lai izplafātu stabilizatoru pa visu sistēmu, pirms glabāšanas darbiniet dzinēju divas (2) minūtes.

Ja degvielai dzinējā netiek pievienots stabilizators, degviela ir jāizteicina piemērotā tvertnē. Darbiniet dzinēju, līdz tas apstāsies no degvielas trūkuma. Mēs iesakām izmantot degvielas stabilizatoru arī tad, kad degviela tiek uzglabāta glabāšanas tvertnē, lai uzturētu to svaigu.

Dzinēja eļļa

Kamēr dzinējs ir silts, nomainiet dzinēja eļļu. Skatiet nodaļu **Nomainiet motoreļļu**.

Bojājumu novēršana

Lai saņemtu palīdzību, sazinieties ar vietējo izplatītāju vai pārejiet uz **VanguardEngines.com** vai zvaniet uz **1-800-999-9333** (ASV).

Specifikācijas

Modelis: 130000	
Darba tilpums	12.48 ci (205 cc)
Cilindra diametrs	2.688 in (68,28 mm)
Virzuļa gājiens	2.200 in (55,88 mm)
Eļļas ietilpība	20 - 22 oz (.59 - .65 L)
Reduktora eļļas veids	80W-90
Reduktora eļļas kapacitāte	4 oz (.12 L)
Aizdedzes sveces sprauga	.030 in (.76 mm)
Aizdedzes sveces pievilkšanas moments	180 lb-in (20 Nm)
Indukcijas spoles (armature) gaisa sprauga	.010 - .014 in (.25 - .36 mm)
Ieplūdes vārsta atstarpe	.004 - .006 in (.10 - .15 mm)
Izplūdes vārsta atstarpe	.009 - .011 in (.23 - .28 mm)

Modelis: 190000	
Darba tilpums	18.63 ci (305 cc)
Cilindra diametrs	3.120 in (79,24 mm)
Virzuļa gājiens	2.438 in (61,93 mm)
Eļļas ietilpība	26 - 28 oz (.77 - .83 L)
Reduktora eļļas veids	SAE 30
Reduktora eļļas kapacitāte	12 oz (.35 L)
Aizdedzes sveces sprauga	.030 in (.76 mm)
Aizdedzes sveces pievilkšanas moments	180 lb-in (20 Nm)
Indukcijas spoles (armature) gaisa sprauga	.010 - .014 in (.25 - .36 mm)
Ieplūdes vārsta atstarpe	.004 - .006 in (.10 - .15 mm)
Izplūdes vārsta atstarpe	.004 - .006 in (.10 - .15 mm)

Dzinēja jauda samazināsies par 3,5% uz katrām 1 000 pēdām (300 metriem) virs jūras līmeņa un par 1% uz katru 10° F (5,6° C) virs 77° F (25° C). Šis dzinējs darbosies apmierinoši pie leņķa līdz 15° Meklējiet iekārtas operatora rokasgrāmatā droša darba pieļaujamās robežas uz slīpumiem.

Apkopes detaļas - modelis: 130000, 190000	
Apkopes daļa	Daļas numurs
Porolona gaisa filtrs (modelis 130000, attēls 14)	797378

Apkopes detaļas - modelis: 130000, 190000

Papīra gaisa filtrs (modelis 130000, attēls 15)	797033
Rupjais filtrs (modelis 130000, attēls 15)	798513
Papīra gaisa filtrs (modelis 190000, attēls 15)	797032
Rupjais filtrs (modelis 190000, attēls 15)	798795
Papīra gaisa filtrs (attēls 16)	474279
Rupjais filtrs (attēls 16)	491435S
Degvielas apstrādes un stabilizēšanas piedeva ar uzlabotu sastāvu	100117, 100120
Rezistora aizdedzes svece	491055
Aizdedzes sveces atslēga	19576, 5402
Dzirksteles testeris	19368

Mēs iesakām jums vērsties pie jebkura Briggs & Stratton autorizēta pārstāvja dzinēja un dzinēja daļu visas apkopes un servisa veikšanai.

Jaudas novērtējums: Pieļaujama bruto jauda atsevišķiem benzīna motoru modeļiem tiek apzīmēta atbilstoši novērtējumam pēc SAE (Society of Automotive Engineers — Autoinženieru savienība) noteikumiem J1940 (Small Engine Power & Torque Rating Procedure — Mazu dzinēju jaudas un griezes momenta noteikšanas procedūra) un to jaudas novērtēšana veic atbilstoši SAE noteikumiem J1995. Motoriem, kuru marķējumā norādīts "rpm", griezes moments ir noteikts pie 2600 apgr./min., visiem citiem motoriem — pie 3060 apgr./min.; zirgspēku daudzums ir noteikts pie 3600 apgr./min. Bruto jaudas grafikus var apskatīt internetā vietnē www.BRIGGSandSTRATTON.COM. Efektīvās jaudas vērtības tiek iegūtas, kad ir uzstādīts gaisa filtrs, bet pilnas jaudas vērtības tiek iegūtas bez šiem piederumiem. Reālā motora bruto jauda būs augstāka par lietderīgo jaudu, jo to ietekmēs darba vides apstākļi un katra motora individuālās atšķirības. Ņemot vērā plašo produktu klāstu, uz kādiem tiek uzstādīti motori, benzīna motori var neatbilstīt nominālo bruto jaudu, ja tos izmanto ar attiecīgo mašīnu. Šīs atšķirības izraisa dažādi faktori, tostarp, bet ne tikai dažādi motora komponenti (gaisa atfiltrēšanas, izplūdes, lādēšanas un dzesēšanas sistēmas, karburators, degvielas sūkņi utt.), pielietojuma ierobežojumi, vide ekspluatācijas vietā (temperatūra, mitrums, augstums virs jūras līmeņa), kā arī atsevišķo motoru individuālās īpatnības. Dažu ražošanas procesa un jaudas ierobežojumu dēļ uzņēmums Briggs & Stratton ir tiesīgs aizvietot šīs sērijas motoru ar jaudīgāku motoru.

Garantija

Briggs & Stratton dzinēja garantija

Stājas spēkā 2017. gada janvārī

Ierobežota garantija

Briggs & Stratton garantē, ka garantijas periodā, kas norādīts zemāk, uzņēmums bez maksas saremontēs vai nomainīs jebkuru daļu, kurai ir materiāla un/vai ražošanas brāķis. Transporta izmaksas par produktu, kurš šīs garantijas ietvaros iesniegts remontam vai apmaiņai, jāsedz pircējam. Šī garantija ir spēkā tālāk norādītajos laika periodos un ievērojot tālāk izklāstītos nosacījumus. Lai saņemtu garantijas servisu, atrodiat tuvāko autorizēto servisa pakalpojumu sniedzēju mūsu pārstāvju meklēšanas kartē BRIGGSandSTRATTON.com. Pircējam ir jāsaņem pilnvaroto apkopes pakalpojumu sniedzēju un jānogādā izstrādājums tā turpmākai pārbaudei un testēšanai pilnvarotajam apkopes pakalpojumu sniedzējam.

Citu izteiktu garantiju nav. Netiešas garantijas, ieskaitot garantijas par piemērotību pārdošanai un atbilstību noteiktam nolūkam, ir spēkā tālāk norādītajā garantijas periodā, vai arī uz tām attiecināmi tiesību aktos atrunātie ierobežojumi. Jebkura atbildība par nejausiem vai izrietošiem zaudējumiem tiek izslēgta tādā mērā, kādā šī atbildības izslēgšana ir atrunāta likumā. Dažās valstīs un zemēs neatzīst ierobežojumus attiecībā uz to, cik ilgi turpināsies netiešā garantija, bet citās valstīs vai to daļās nepieļauj nejausai vai izrietošo zaudējumu izslēgšanu vai ierobežošanu, tādēļ iepriekš minētais ierobežojums un garantijas izslēgšana var uz jums arī neattiekties. Šī garantija dod jums noteiktas juridiskas tiesības, un jums var būt arī citas tiesības, kas dažādos štatos un valstīs ir atšķirīgas.⁴

Standarta garantijas noteikumi 1, 2, 3

Marka / Izstrādājuma nosaukums	Lietošana personīgām vajadzībām	Komerčiāla lietošana
Vanguard™; Komerčiālā sērija	36 mēneši	36 mēneši
Dzinēji ar Dura-Bore™ lietām čuguna čaulām	24 mēneši	12 mēneši
Visi citi dzinēji	24 mēneši	3 mēneši

¹Šie ir mūsu standarta garantijas noteikumi, taču laiku pa laikam iespējams papildu garantijas segums, kāds netika noteikts publikācijas laikā. Lai iepazītos ar jūsu dzinējam pašreiz spēkā esošajiem garantijas noteikumiem, skatiet Internetā BRIGGSandSTRATTON.COM vai sazinieties ar jūsu autorizēto Briggs & Stratton servisa pārstāvi.

² Nav noteikta garantija dzinēja aprīkojumam, kas tiek lietots uz vietas galvenajai enerģijas padevei komunālajiem pakalpojumiem vai rezerves ģeneratoriem, kas tiek lietoti komerciāliem mērķiem. Uz dzinējiem, kas ir izmantoti sacensībās vai komerciālos vai nomas maršrutos, garantija neattiecas.

³ Vanguard, kas ir uzstādīti rezerves ģeneratoros: 24 mēneši personīgai lietošanai, komerciālai lietošanai garantija netiek sniegta. Vanguard, kas ir uzstādīti pakalpojumu transportlīdzekļos: 24 mēneši personīgai lietošanai, 24 mēneši komerciālai lietošanai. Komerčiālā sērija ar izgatavošanas datumu pirms 2017. gada jūlija, 24 mēneši personīgai lietošanai, 24 mēneši komerciālai lietošanai.

⁴ Austrālijā — Mūsu precēm ir garantijas, kuras nepieļauj izslēgt Austrālijas Patērētāju likums. Jums ir tiesības nomainīt izstrādājumu vai saņemt naudas līdzekļu atmaksu, ja izstrādājuma darbībā radās būtiski traucējumi, vai arī saņemt atļūdzību, ja radās citi saprātīgi paredzamie zaudējumi vai bojājumi. Turklāt jums ir tiesības iesniegt izstrādājumu remontam vai nomainīt izstrādājumu, ja tā kvalitāte nav pieņemama, taču tā darbības traucējumi nav būtiski. Lai saņemtu garantijas servisu, atrodiat tuvāko pilnvaroto servisa pārstāvi mūsu pārstāvju meklēšanas kartē BRIGGSandSTRATTON.com vai piezvaniet uz numuru 1300 274 447, vai nosūtiet e-pastu vai papīra vēstuli uz adresi salesenquires@briggsandstratton.com.au, Briggs & Stratton Australia Pty Ltd, 1 Moorebank Avenue, Moorebank, NSW, Australia, 2170.

Garantijas periods sākas dienā, kad izstrādājumu iegādājies pirmais mazumtirdzniecības patērētājs vai komercpatērētājs. "Izmantošanai patērētājiem" nozīmē, ka mazumtirdzniecības patērētājs izmanto precis savā mājaiemniecībā. "Izmantošana komercnolūkos" nozīmē visus pārējos precis izmantošanas veidus, ietverot tirdzniecību, ienākumu nesošās nozarēs vai nomā. Tikko dzinējs ir ticis lietots komerciāli, tas turpmāk attiecībā uz šo garantiju tiek uzskatīts par komerciālas lietošanas dzinēju.

Saglabājiet savu pirkumu apliecināmo čeku. Ja jūs neiesniedzat apliecinājumu sākotnējā pirkuma datumam laikā, kad ir nepieciešams garantijas remonts, garantijas perioda noteikšanai tiks izmantots produkta izgatavošanas datums. Lai saņemtu garantijas servisu Briggs & Stratton produktiem, garantijas reģistrācija nav obligāta.

Par jūsu garantiju

Šī garantija attiecas tikai uz defektīviem materiāliem, kas saistīti ar dzinēju, un/vai apdares kvalitāti, un nevis uz nomainītu vai atļūdzināšanu iekārtai, kurai dzinējs var būt pierīkots. Šī garantija nesedz kārtējo apkopi, noskaņošanu, noregulēšanu vai normālu nodilumu. Tāpat garantija nav spēkā, ja dzinējs ir ticis izmainīts vai modificēts, vai ja ir dzēsts vai noņemts dzinēja sērijas numurs. Šī garantija nesedz dzinēja bojājumus vai veikuma problēmas, kuras izraisījuši:

- daļu, kas nav oriģinālas Briggs & Stratton daļas, izmantošana;
- dzinēja darbināšana ar nepietiekamu eļļas līmeni, piesārņotu vai nepareizas kvalitātes eļļu;
- piesārņotas vai sastāvējušās degvielas izmantošana, benzīna, kurā etilspirta saturs lielāks par 10%, vai alternatīvu degvielu, piemēram, sašķidrinātas naftas vai dabasgāzes izmantošana dzinējiem, ko Briggs & Stratton nav sākotnēji paredzējis/izgatavojis darbināšanai ar šādu degvielu;
- neīrūmi, kas iekļuvuši dzinējā gaisa atfiltrēja nepareizas apkopes vai salikšanas rezultātā;
- rotācijas zāles plāvēja nažu triecieni pret priekšmetiem, valģi vai nepareizi uzstādīti nažu adapteri, lāpstīnriteņi vai citas klokvārpstai pievienotas ierīces vai pārmērīga ķīļsiksna nospiegšana;
- saistīto daļu vai mezglu, piemēram, sajūgu, transmisijas, iekārtu vadības ierīču utt., ko nav piegādājis Briggs & Stratton, lietošana;
- pārkāršana, kas notikusi dzesēšanas ribu vai spararata zonas piesārņošanas vai aizsērēšanas ar nopļautās zāles daļām, neīrūmiem un gruziem vai grauzēju ligzdu dēļ, vai dzinēja darbināšana bez pietiekamas ventilācijas;
- pārmērīga vibrācija, kuras cēlonis ir pārmērīgi dzinēja apgriezieni, valģi dzinēja stiprinājumi, valģi vai neizlīdzsvaroti naži vai lāpstīnriteņi vai aprīkojuma nepareiza pievienošana klokvārpstai;
- dzinēja nepareiza ekspluatēšana, ikdienas apkopes neveikšana, nepareizi veikta pārsūtīšana, pārkraušana un uzglabāšana, vai dzinēja nepareiza uzstādīšana.

Garantijas apkope ir pieejama, sazinoties ar Briggs & Stratton pilnvarotajiem apkopes pakalpojumu sniedzējiem. Atrodiat tuvāko pilnvaroto apkopes pakalpojumu sniedzēju mūsu izplatītāju atrašanas kartē BRIGGSandSTRATTON.COM vai zvaniet uz 1-800-233-3723 (ASV).

80004537 (Pārsk. C)

Niniejsza instrukcja zawiera informacje dotyczące bezpieczeństwa, mające na celu uświadomienie użytkownikowi zagrożeń i niebezpieczeństw związanych z silnikiem oraz sposobu ich uniknięcia. Zawiera również instrukcje właściwego użytkowania i troski o silnik. Ponieważ firma Briggs & Stratton niekoniecznie wie, jakie urządzenie będzie napędzane niniejszym silnikiem, ważne jest przeczytanie i zrozumienie niniejszej instrukcji oraz instrukcji wyposażenia napędzanego niniejszym silnikiem. **Należy zachować oryginalną instrukcję do wykorzystania w przyszłości.**

Uwaga: Rysunki i ilustracje zostały zamieszczone w niniejszej instrukcji wyłącznie w celach informacyjnych i mogą być inne od rzeczywistego wyglądu urządzenia posiadanego przez użytkownika. Pytania należy kierować do sprzedawcy.

Aby zamówić części zamienne lub uzyskać pomoc techniczną w przyszłości, poniżej należy zapisać model, typ oraz kod silnika wraz z datą zakupu. Numery te znajdują się na silniku (zob. część **Budowa i elementy obsługowe**).

Data zakupu	
Model – Typ – Kod	
Numer seryjny silnika	

Na niektórych silnikach może być umieszczony kod kreskowy 2D. Po zeskanowaniu za pomocą urządzenia z funkcją odczytu kodów 2D na urządzeniu wyświetlona zostanie witryna wsparcia dla danego produktu. Pobrana zostanie opłata za transfer danych. W niektórych krajach pomoc techniczna online może nie być dostępna.



Informacje dotyczące utylizacji

		Wszystkie opakowania, zużyty olej, baterie i akumulatory należy utylizować zgodnie z obowiązującymi przepisami.
--	--	---

Bezpieczeństwo operatora

Symbole alarmów bezpieczeństwa i hasła ostrzegawcze

Symbol ostrzegawczy wskazuje informacje dotyczące zagrożeń, które mogą prowadzić do uszkodzenia ciała. Słowo ostrzegawcze (NIEBEZPIECZEŃSTWO, OSTRZEŻENIE lub PRZESTROGA) stosowane jest razem z symbolem ostrzegawczym w celu wskazania prawdopodobnej i potencjalnej możliwości uszkodzenia ciała. Dodatkowo symbol zagrożenia może być stosowany do wskazania rodzaju zagrożenia.

NIEBEZPIECZEŃSTWO sygnalizuje zagrożenie, które, w razie jego nieuniknięcia, spowoduje śmierć lub poważne obrażenia.

OSTRZEŻENIE sygnalizuje zagrożenie, które, w razie jego nieuniknięcia, może spowodować śmierć lub poważne obrażenia.

PRZESTROGA sygnalizuje zagrożenie, które, w razie jego nieuniknięcia, może spowodować niewielkie lub umiarkowane obrażenia.

NOTYFIKACJA sygnalizuje działanie, które może spowodować uszkodzenie produktu.

Symbole zagrożenia i ich znaczenia

Symbol	Znaczenie	Symbol	Znaczenie
	Informacje bezpieczeństwa dotyczące zagrożeń, które mogą spowodować obrażenia.		Przed serwisowaniem urządzenia należy zapoznać się z Instrukcją obsługi.
	Zagrożenie pożarowe		Zagrożenie wybuchem
	Zagrożenie porażeniem prądem.		Zagrożenie oparami toksycznymi
	Zagrożenie związane z gorącą powierzchnią		Zagrożenie hałasem – w przypadku długotrwałego użytkowania stosować ochronniki słuchu.
	Zagrożenie wyrzucaniem obiektów – stosować ochronę oczu.		Zagrożenie wybuchem
	Zagrożenie odmrożeniem		Zagrożenie odrzutem
	Zagrożenie odcięciem przez elementy ruchome		Zagrożenie chemiczne
	Zagrożenie termiczne		Żrący

Komunikaty dot. bezpieczeństwa



OSTRZEŻENIE

Niektóre elementy tego produktu i jego akcesoria, zawierają substancje chemiczne, o których wiadomo w stanie Kalifornia, że powodują raka, wady wrodzone i upośledzenie płodności. Po ich dotknięciu należy umyć ręce.



OSTRZEŻENIE

Spaliny silnika pochodzące z tego urządzenia zawierają substancje chemiczne, o których wiadomo w stanie Kalifornia, że powodują raka, wady wrodzone i upośledzenie płodności.



OSTRZEŻENIE

Silniki Briggs & Stratton nie są przeznaczone i nie powinny być wykorzystywane do napędzania: pojazdów rozrywkowych, gokartów, dziecięcych, rekreacyjnych lub sportowych pojazdów terenowych, motocykli, poduszkowców, urządzeń lotniczych oraz pojazdów używanych podczas imprez wyczynowych niezaaprobowanych przez firmę Briggs & Stratton. Informacje na temat produktów przeznaczonych do pojazdów wyścigowych podano na stronie www.briggsracing.com. W celu uzyskania informacji dotyczących użycia produktów w pojazdach użytkowych i terenowych prosimy skontaktować się z Briggs & Stratton Engine Application Center pod numerem 1-866-927-3349. Niewłaściwe zastosowanie silnika może spowodować poważne obrażenia lub śmierć.



OSTRZEŻENIE



Paliwo i jego opary są łatwopalne i wybuchowe.

Pożar lub wybuch mogą spowodować groźne oparzenia lub śmierć.

Podczas uzupełniania paliwa

- Wyłączyć silnik i pozostawić do ostygnięcia na co najmniej 2 minuty i dopiero wtedy zdjąć korek wlewu paliwa.
- Napełniać zbiornik paliwa na zewnątrz budynku lub w dobrze wietrzonym miejscu.
- Nie dopuszczać do przelania zbiornika paliwa. Aby zapewnić rozprężanie paliwa, nie należy napełniać zbiornika paliwa powyżej dolnej części szyjki wlewu paliwa.
- Nie wolno trzymać paliwa w pobliżu źródeł iskier, nieosłoniętych płomieni, płomieni pilota, źródła ciepła lub innych źródeł zapłonu.
- Sprawdzić, czy przewody paliwa, zbiornik, korek wlewu lub złącza nie są pęknięte lub nie przeciekają. Jeśli to konieczne, należy je wymienić na nowe.
- Jeśli paliwo rozleje się, zaczekaj aż zanim włączysz silnik.

Podczas uruchamiania silnika

- Sprawdzić, czy świeca zapłonowa, tłumik, korek wlewu i filtr powietrza (jeśli jest na wyposażeniu) są na swoim miejscu i są dobrze zamocowane.
- Nie uruchamiać silnika bez świecy zapłonowej.
- W przypadku zalania silnika ustawiając manetkę ssania (jeśli jest na wyposażeniu) w pozycji OTWARCIA/URUCHAMIANIA (OPEN/RUN), przesunąć dźwignię przepustnicy (jeśli jest na wyposażeniu) do pozycji SZYBKO (FAST) i spróbować uruchomić silnik.

Podczas obsługi urządzenia

- Nie przechylać silnika lub urządzenia pod kątem, który spowoduje wyciek paliwa.
- Nie zatykać gaźnika, aby zatrzymać silnik.
- Nigdy nie uruchamiać ani nie pozwalać na pracę silnika z wymontowanym filtrem powietrza (jeśli jest na wyposażeniu) lub wyjętym wkładem filtra (jeśli jest na wyposażeniu).

Podczas zmiany oleju

- Jeżeli olej spuszcza się przez wlew oleju, zbiornik paliwa musi być pusty lub może dojść do wycieku paliwa, który może spowodować pożar lub wybuch.

Przechylenie zespołu do celów konserwacji

- W przypadku konserwacji wymagającej przechylenia zespołu należy opróżnić zbiornik paliwa, gdyż w przeciwnym wypadku może dojść do wycieku paliwa prowadzącego do pożaru lub wybuchu.

Podczas transportu urządzenia

- Transportować z PUSTYM zbiornikiem paliwa lub z ZAMKNIĘTYM zaworem odcinającym dopływ paliwa.

W przypadku magazynowania paliwa lub urządzeń z paliwem w zbiorniku

- Przechowywać z dala od pieców, grzejników wody lub innych urządzeń z lampkami kontrolnymi lub innych źródeł zapłonu, ponieważ mogą one spowodować zapalenie oparów paliwa.



OSTRZEŻENIE

Rozruchowi silnika towarzyszy iskrzenie.

Iskrzenie może spowodować zapalenie znajdujących się w pobliżu łatwopalnych gazów.

Może to spowodować wybuch i pożar.

- Jeżeli na terenie nastąpi wyciek gazu ziemnego lub innego gazu płynnego, nie należy uruchamiać silnika.
- Nie stosować płynów typu "samostart" w aerozolu, ponieważ ich opary są łatwopalne.



OSTRZEŻENIE

ZAGROŻENIE TRUJĄCYM GAZEM. Gazy wylotowe z silnika zawierają tlenek węgla, trujący gaz, który w ciągu kilku minut może spowodować śmiertelne zatrucie. Jest to substancja NIEWIDOCZNA, bez zapachu i smaku. Nawet jeśli użytkownik nie wyczuwa gazów wylotowych może być narażony na działanie tlenku węgla. W przypadku odczuwania mdłości, zawrotów głowy lub osłabienia w trakcie pracy z tym urządzeniem należy je NATYCHMIAST wyłączyć i wyjść na świeże powietrze. Skontaktować się z lekarzem. Mogło dojść do zatrucia tlenkiem węgla.

- Urządzenie należy włączać WYŁĄCZNIE na świeżym powietrzu, z dala od okien, drzwi i otworów wentylacyjnych, aby zmniejszyć ryzyko gromadzenia się tlenku węgla i przedostania się go do pomieszczeń, w których przebywają ludzie.
- Zamontować urządzenie alarmujące o obecności tlenku węgla z zasilaniem baterijnym lub zasilane prądem sieciowym z baterią podtrzymującą, zgodnie z instrukcjami producenta. Alarmy dymowe nie wykrywają obecności tlenku węgla.

- NIE WOLNO uruchamiać urządzenia w domu, garażu, piwnicy, przestrzeni podpodłogowej, szopach i innych częściowo zamkniętych pomieszczeniach, nawet jeśli włączone są wiatraki lub otwarte drzwi i okna. Tlenek węgla szybko gromadzi się w takich miejscach i może się w nich utrzymywać przez kilka godzin, nawet po wyłączeniu urządzenia.
- ZAWSZE umieszczać ten produkt z wiatrem i kierując wylot spalin silnika w kierunku przeciwnym od miejsca, w którym stoją ludzie.



OSTRZEŻENIE

Gwałtowne szarpnięcie linki rozrusznika (odbicie) pociągnie rękę do silnika szybciej, niż operator nad tym zapanuje.

Może to spowodować złamania, pęknięcia kości lub zwichnięcia.

- W celu uruchomienia silnika ciągnąć powoli uchwyt rozrusznika ręcznego do wycucia oporu, a następnie pociągnąć gwałtownie, aby uniknąć odbicia.
- Przed rozruchem silnika rozłączyć urządzenia zewnętrzne/obciążenie silnika.
- Części składowe urządzenia, takie jak ostrza, wirniki, koła pasowe, koła łańcuchowe itd., należy zamocować w bezpieczny sposób.



OSTRZEŻENIE

Obracające się części mogą dotknąć lub wciągnąć ręce, stopy, włosy, ubrania lub akcesoria.

Wskutek tego może dojść do odcięcia kończyny lub okaleczenia.

- Urządzenie należy eksploatować z osłonami znajdującymi się we właściwych miejscach.
- Ręce i stopy muszą znajdować się z dala od części wirujących.
- Należy związać długie włosy i zdjąć biżuterię.
- Nie należy nosić luźnej odzieży, zwisających sznurków ściągających ubranie lub przedmiotów, które mogą dostać się do części wirujących.



OSTRZEŻENIE

Pracujący silnik wytwarza ciepło. Części silnika, szczególnie tłumik, nagrzewają się do wysokich temperatur.

Przy kontakcie z nimi mogą powstawać poważne oparzenia.

Łatwopalne pozostałości, takie jak liście, trawa i inne zanieczyszczenia mogą się łatwo zapalić.

- Przed dotknięciem należy schłodzić tłumik, cylinder silnika i żebra.
- Usunąć nagromadzone zanieczyszczenia z obszaru tłumika i cylindra.
- Używanie lub obsługiwanie silnika na terenie zalesionym, zakrzewionym lub trawiastym, jeśli układ wydechowy silnika nie jest wyposażony w sprawny iskrochron, stanowi naruszenie przepisu 4442 kalifornijskiego kodeksu California Public Resource Code. W innych stanach lub na terenach objętych jurysdykcją federalną mogą obowiązywać podobne przepisy. Skontaktować się z producentem oryginalnego sprzętu, sprzedawcą detalicznym lub dealerem, aby uzyskać iskrochron przeznaczony do układu wydechowego, zainstalowanego na tym silniku.



OSTRZEŻENIE

Przypadkowe iskrzenie może spowodować pożar lub porażenie prądem.

Przypadkowe uruchomienie może spowodować zapłatanie, amputację urazową lub rany.

Zagrożenie pożarem

Przed wykonaniem regulacji lub napraw:

- Odłączyć przewód świecy zapłonowej i przechowywać go z dala od świecy.
- Odłączyć akumulator od ujemnego zacisku (tylko silniki z zapłonem elektrycznym).
- Używać tylko odpowiednich narzędzi.
- Nie manipulować przy sprężynie regulatora prędkości silnika, łącznikach i innych częściach w celu zwiększenia prędkości silnika.
- Należy stosować takie same części zamienne i instalować je w tym samym położeniu co części oryginalne. Inne części mogą nie działać wystarczająco dobrze, mogą również uszkodzić urządzenie i spowodować obrażenia.

- Nie wolno uderzać w koło zamachowe młotkiem lub innymi twardymi przedmiotami, ponieważ koło może później rozpaść się w czasie pracy silnika.

Podczas sprawdzania iskry:

- Użyć atestowanego testera świec zapłonowych.
- Nie należy sprawdzać iskry przy wyjętej świecy zapłonowej.

Budowa i elementy obsługowe

Elementy obsługowe

Porównać rysunki (rys. 1, 2, 3, 4) z silnikami w celu zapoznania się z położeniem różnych funkcji oraz elementów obsługowych.

- A. Identyfikacja silnika **Model Typ Kod**
- B. Świeca zapłonowa
- C. Zbiornik paliwa i korek wlewu
- D. Filtr powietrza
- E. Uchwyt uruchamiania linką
- F. Wlew oleju i przętowy wskaźnik poziomu.
- G. Korek spustu oleju
- H. Tłumik, osłona tłumika (jeśli znajduje się na wyposażeniu), chwytacz iskier (jeśli znajduje się na wyposażeniu)
- I. Manetka ssania
- J. Sterowanie przepustnicą (jeśli znajduje się na wyposażeniu)
- K. TransportGuard™ - dźwignia paliwa i zapłonu
- L. Kratka wlotu powietrza
- M. Reduktor (jeśli znajduje się na wyposażeniu)
- N. Wyłącznik (jeśli znajduje się na wyposażeniu)
- O. Przelącznik rozruchu elektrycznego (jeśli jest na wyposażeniu) ¹

¹ W niektórych silnikach i wyposażeniu zastosowano układy sterowania zdalnego. Położenie i sposób obsługi elementów zdalnego sterowania opisano w instrukcji wyposażenia.

Symbole sterowania i ich znaczenia — silnik

Symbol	Znaczenie	Symbol	Znaczenie
	Prędkość silnika — SZYBKO		Prędkość silnika — WOLNO
	Prędkość silnika — ZATRZYMANIE		WŁ.–WYŁ.
	Uruchamianie silnika — manetka ssania w położeniu ZAMKNIĘTYM		Uruchamianie silnika — manetka ssania w położeniu OTWARTYM
	Korek wlewu paliwa Zawór odcinający paliwo — OTWARTY		Zawór odcinający paliwo — ZAMKNIĘTY
	Poziom paliwa — maks. Nie przepelniać		

Obsługa

Zalecenia dotyczące oleju

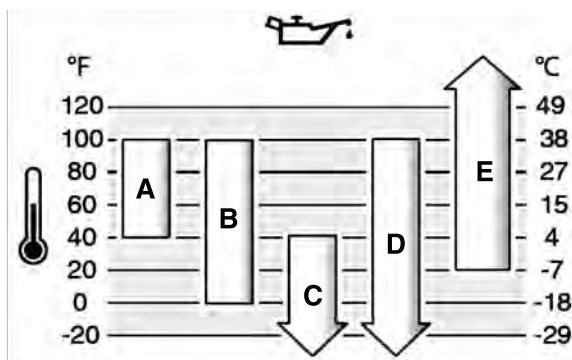
Pojemność miski olejowej: Patrz punkt **Dane techniczne**.

UWAGA

Firma Briggs & Stratton dostarcza silnik bez oleju. Producenci lub sprzedawcy urządzenia mogli wlać olej do silnika. Przed jego pierwszym uruchomieniem należy pamiętać o sprawdzeniu poziomu oleju i dodaniu oleju zgodnie z instrukcją zawartą w niniejszym podręczniku. Uruchomienie silnika bez oleju spowoduje jego nieodwracalne uszkodzenie, które nie będzie objęte gwarancją.

Aby osiągnąć najlepszą wydajność, zaleca się stosowanie olejów z certyfikatem gwarancji firmy Briggs & Stratton. Dopuszczalne jest stosowanie innych wysokiej jakości olejów detergentowych klas SF, SG, SH, SJ lub wyższych. Nie używać dodatków specjalnych.

Temperatury zewnętrzne wyznaczają właściwą lepkość oleju dla silnika. Najlepszą lepkość dla zakresu temperatur zewnętrznych należy wybrać przy użyciu wykresu. W większości urządzeń elektrycznych użytkowanych na zewnątrz silniki działają dobrze z olejem syntetycznym 5W-30. W przypadku urządzeń użytkowanych w wysokich temperaturach najlepszą ochronę zapewni olej syntetyczny Vanguard™ 15W-50



A	SAE 30 — Jeśli olej SAE 30 zostanie użyty w temperaturze poniżej 40°F (4°C), wystąpią trudności z uruchomieniem silnika.
B	10W-30 — W temperaturach powyżej 80°F (27°C) stosowanie oleju 10W-30 może spowodować zwiększone zużycie oleju. Należy częściej sprawdzać poziom oleju.
C	5W-30
D	Syntetyczny 5W-30
E	Vanguard™ syntetyczny 15W-50

Kontrola poziomu oleju

Zob. rysunek: 5

Przed dodaniem lub sprawdzeniem poziomu oleju

- Upewnić się, że silnik jest wypoziomowany.
- Oczyszczyć obszar wlewu oleju z wszelkich zanieczyszczeń.

- Wyjąć wskaźnik przętowy (A, rys. 5) i wytrzeć czystą ściereczką.
- Zamocować wskaźnik przętowy (A, rys. 5). **Nie obracać ani nie dokręcać.**
- Wyjąć wskaźnik i sprawdzić poziom oleju. Poziom oleju jest prawidłowy, jeśli sięga górnego znacznika na wskaźniku (B, rys. 5).
- Jeśli poziom oleju silnikowego jest niski, należy go uzupełnić (C, rys. 5). Napełnić do maksimum.
- Zamocować i dokręcić wskaźnik przętowy (A, rys. 5).

System ochrony przed niskim poziomem oleju (jeśli jest na wyposażeniu)

Niektóre silniki wyposażone są w czujnik niskiego poziomu oleju. Jeśli poziom oleju jest niski, czujnik aktywuje kontrolkę ostrzegawczą lub zatrzymuje silnik. Zatrzymać silnik i postępować zgodnie z podanymi krokami przed ponownym uruchomieniem silnika.

- Upewnić się, że silnik jest wypoziomowany.
- Sprawdzić poziom oleju. Zob. część **Kontrola poziomu oleju**.
- Jeśli poziom oleju jest niski, dodać odpowiednią ilość oleju. Uruchomić silnik i upewnić się, czy kontrolka ostrzegawcza (jeśli jest na wyposażeniu) nie świeci się.

- Jeżeli poziom oleju nie jest niski, nie uruchamiać silnika. Skontaktować się z autoryzowanym serwisem Briggs & Stratton w celu usunięcia problemu z olejem.

Zalecenia dotyczące paliwa

Paliwo musi spełniać następujące wymagania:

- Czysta, świeża, bezołowiowa benzyna.
- Minimalna liczba oktanowa 87/87 AKI (91 RON). Zastosowanie na dużej wysokości, zob. poniżej.
- Dopuszczalne jest stosowanie benzyny z maksymalnie 10% zawartością etanolu (gazoholu).

UWAGA Nie stosować niedopuszczonych benzyn, takich jak E15 i E85. Nie mieszać oleju z benzyną ani nie modyfikować silnika w celu dostosowania go do pracy na alternatywnych paliwach. Użycie niezatwierdzonych paliw może doprowadzić do nieobjętych gwarancją uszkodzeń podzespołów silnika.

Aby zabezpieczyć układ paliwowy przed tworzeniem się żywic, do paliwa należy dodać stabilizator paliwa. Zob. część **Przechowywanie**. Każde paliwo jest inne. Jeśli wystąpią problemy z rozruchem lub wydajnością, należy zmienić dostawcę lub gatunek paliwa. Silnik przystosowany jest do zasilania benzyną. System ograniczenia zanieczyszczeń w spalinach dla silnika to EM (modyfikacje silnika).

Zastosowanie na dużej wysokości

Na wysokościach powyżej 1524 metrów (5000 stóp), dopuszczalna jest benzyna co najmniej 85 oktanowa/85 AKI (89 RON).

W przypadku silników gaźnikowych wymagana jest regulacja na dużych wysokościach w celu zachowania wydajności. Praca bez takiej regulacji spowoduje obniżenie wydajności, zwiększenie zużycia paliwa i zwiększenie emisji spalin. Informacje na temat regulacji dla dużych wysokości można uzyskać u autoryzowanego dealera firmy Briggs & Stratton. Nie zaleca się eksploatacji silnika z regulacją dla dużych wysokości na wysokościach poniżej 762 metrów (2500 stóp).

W przypadku silników z elektronicznym wtryskiem paliwa (EFI) nie jest potrzebna regulacja na dużych wysokościach.

Uzupełnianie paliwa

Zob. rysunek: 6



OSTRZEŻENIE

Paliwo i jego opary są łatwopalne i wybuchowe.

Pożar lub wybuch mogą przyczynić się do poważnych poparzeń lub doprowadzić do śmierci.

Podczas uzupełniania paliwa

- Wyłączyć silnik i pozostawić do ostygnięcia na co najmniej 2 minuty i dopiero wtedy zdjąć korek wlewu paliwa.
- Napełniać zbiornik paliwa na zewnątrz budynku lub w dobrze wentylowanym miejscu.
- Nie dopuszczać do przepełnienia zbiornika paliwa. Aby umożliwić rozprężanie się paliwa, nie należy napełniać zbiornika paliwa powyżej dolnej części szyjki wlewu paliwa.
- Nie przechowywać paliwa w pobliżu źródeł isker, nieostygniętych płomieni, płomieni pilota, źródła ciepła lub innych źródeł zapłonu.
- Sprawdzić, czy przewody paliwa, zbiornik, korek wlewu lub złącza nie są pęknięte lub nie przeciekają. Jeśli to konieczne, należy je wymienić na nowe.
- W przypadku rozlania paliwa przed uruchomieniem silnika zacząć na odparowanie paliwa.

1. Obszar wlewu paliwa oczyścić z wszelkich zanieczyszczeń i osadów. Odkręcić korek wlewu paliwa.
2. Napełnić zbiornik paliwa (A, rysunek 6). Aby umożliwić rozprężanie się paliwa, nie należy napełniać zbiornika paliwa powyżej dolnej części szyjki wlewu paliwa (B).
3. Ponownie założyć korek wlewu paliwa.

Uruchamianie i zatrzymywanie silnika

Zob. rysunek: 7, 8

Uruchamianie silnika



OSTRZEŻENIE

Gwałtowne szarpnięcie linki rozrusznika (odrzut) pociągnie rękę do silnika szybciej, niż operator nad tym zapanuje.

Może to spowodować złamania, pęknięcia kości lub zwichnięcia.

- Podczas uruchamiania silnika należy powoli pociągnąć linkę rozrusznika aż do wycucia oporu i wtedy pociągnąć energicznie, aby uniknąć odrzutu.



OSTRZEŻENIE

Paliwo i jego opary są łatwopalne i wybuchowe.

Pożar lub wybuch mogą przyczynić się do poważnych poparzeń lub doprowadzić do śmierci.

Podczas uruchamiania silnika

- Sprawdzić, czy świeca zapłonowa, tłumik, korek wlewu i filtr powietrza (jeśli jest na wyposażeniu) są na swoim miejscu i są dobrze zamocowane.
- Nie uruchamiać silnika bez świecy zapłonowej.
- W przypadku zalania silnika ustawić manetkę ssania (jeśli jest) w pozycji OTWARCIA lub URUCHAMIANIA (OPEN/RUN), przesunąć dźwignię przepustnicy (jeśli jest na wyposażeniu) do pozycji SZYBKO (FAST) i spróbować uruchomić silnik.



OSTRZEŻENIE

ZAGROŻENIE TRUJĄCYM GAZEM Gazy spalinowe z silnika zawierają tlenek węgla – trujący gaz, który w ciągu kilku minut może spowodować śmiertelne zatrucie. Jest to substancja NIEWIDOCZNA, bez zapachu i smaku. Nawet jeśli użytkownik nie wyczuwa gazów spalinowych, może być narażony na działanie tlenku węgla. W przypadku mdłości, zawrotów głowy czy osłabienia odczuwanych w trakcie korzystania z produktu należy go NATYCHMIAST wyłączyć i wyjść na świeże powietrze. Należy skontaktować się z lekarzem. Mogło dojść do zatrucia tlenkiem węgla.

- Z produktu korzystać WYŁĄCZNIE na zewnątrz, z dala od okien, drzwi i otworów wentylacyjnych, aby zmniejszyć ryzyko gromadzenia się tlenku węgla i potencjalnego wciągnięcia go do pomieszczeń zajmowanych przez ludzi.
- Zamontować urządzenia alarmujące o obecności tlenku węgla z zasilaniem baterijnym lub zasilane prądem sieciowym z baterią podtrzymującą, zgodnie z instrukcjami producenta. Alarmy dymowe nie wykrywają obecności tlenku węgla.
- NIE WOLNO uruchamiać urządzenia w domu, garażu, piwnicy, przestrzeni podpodłogowej, szopach ani innych częściowo zamkniętych pomieszczeniach, nawet jeśli włączone są wentylatory lub otwarte są drzwi i okna. Tlenek węgla szybko gromadzi się w takich miejscach i może się w nich utrzymywać przez kilka godzin, nawet po wyłączeniu urządzenia.
- ZAWSZE umieszczać ten produkt z wiatrem i kierować wydech silnika z dala od pomieszczeń używanych przez ludzi.

UWAGA Firma Briggs & Stratton dostarcza silnik bez oleju. Przed jego uruchomieniem należy pamiętać o dodaniu oleju zgodnie z instrukcją zawartą w niniejszym podręczniku. Uruchomienie silnika bez oleju spowoduje jego nieodwracalne uszkodzenie, które nie będzie objęte gwarancją.

Uwaga: Wyposażenie może być sterowane zdalnie. Położenie i sposób obsługi elementów zdalnego sterowania opisano w instrukcji wyposażenia.

1. Sprawdzić poziom oleju w silniku. Zob. część **Kontrola poziomu oleju**.
2. Upewnić się, że elementy sterowania napędem są odłączone (jeśli są zamontowane).
3. Przekręcić dźwignię paliwa i zapłonu (A, rys. 7), jeśli jest na wyposażeniu, w położenie włączenia.
4. Przesunąć dźwignię sterowania przepustnicą (B, rys. 7), jeżeli jest na wyposażeniu, do położenia SZYBKO (FAST). Urządzenie należy eksploatować z ustawieniem obrotów silnika na SZYBKO (FAST).
5. Przesunąć manetkę ssania (C, rys. 7, 8) do położenia zamkniętego.

Uwaga: Ssanie jest zazwyczaj niepotrzebne podczas uruchamiania ciepłego silnika.

6. Ustawić wyłącznik (E, rys. 8), jeżeli jest na wyposażeniu, w położeniu włączenia.
7. **Rozrusznik linkowy samopowrotny, jeśli znajduje się na wyposażeniu:** Mocno przytrzymać uchwyt linki rozrusznika (D, rys. 7, 8). Powoli pociągnąć linkę rozrusznika aż do wycucia oporu i wtedy pociągnąć energicznie.



OSTRZEŻENIE

Gwałtowne szarpnięcie linki rozrusznika (odrzut) pociągnie rękę do silnika szybciej, niż operator będzie mógł nad tym zapanować. Może to spowodować złamania, pęknięcia kości lub zwichnięcia. Podczas uruchamiania silnika należy powoli pociągnąć linkę rozrusznika aż do wycucia oporu i wtedy pociągnąć energicznie, aby uniknąć odrzutu.

8. **Rozrusznik elektryczny, jeżeli jest na wyposażeniu:** Obrócić wyłącznik zapłonu (F, rys. 8) w położenie uruchomienia (ON/START).

UWAGA Aby przedłużyć żywotność rozrusznika, należy stosować krótkie cykle rozruchu (maks. pięć sekund). Pomiędzy cyklami rozruchu zawsze odczekać jedną minutę.

9. W miarę rozgrzewania się silnika, przesunąć manetkę ssania (C, rys. 7, 8) do położenia otwartego.

Uwaga: Jeśli po kilku próbach silnik nie zostanie uruchomiony, należy skontaktować się ze sprzedawcą, odwiedzić stronę internetową **VanguardEngines.com** lub zadzwonić na numer **1-800-999-9333** (w USA).

Zatrzymywanie silnika



OSTRZEŻENIE

Paliwo i jego opary są łatwopalne i wybuchowe.

Pożar lub wybuch mogą przyczynić się do poważnych poparzeń lub doprowadzić do śmierci.

- Nie włączać ssania gaźnika, aby zatrzymać silnik.
- Wyłącznik, jeżeli jest na wyposażeniu:** Ustawić wyłącznik (E, rys. 8) w położeniu zatrzymania.
Dźwignia paliwa i zapłonu, jeżeli znajduje się na wyposażeniu: Przekręcić dźwignię paliwa i zapłonu (A, rys. 7) w położenie wyłączenia.
 - Rozrusznik elektryczny, jeżeli jest na wyposażeniu:** Wyjąć kluczyk. Przechowywać kluczyk z dala od dzieci.

Konserwacja

UWAGA Jeśli podczas konserwacji silnik będzie przechylany, należy opróżnić zbiornik paliwa, jeśli jest zamontowany, a sam silnik podnosić tak, aby strona ze świecą zapłonową znajdowała się u góry. Jeśli zbiornik paliwa nie jest opróżniony, a silnik jest przechylony w innym kierunku, mogą wystąpić problemy z jego uruchomieniem ze względu na zanieczyszczenie filtra powietrza i/lub świecy zapłonowej olejem lub benzyną.



OSTRZEŻENIE

W przypadku konserwacji wymagającej przechylenia zespołu należy opróżnić zbiornik paliwa, gdyż w przeciwnym wypadku może dojść do wycieku paliwa prowadzącego do pożaru lub wybuchu.

Zalecamy skontaktowanie się z autoryzowanym punktem serwisowym Briggs & Stratton w kwestiach konserwacji i napraw silnika i części silnika.

UWAGA W celu zapewnienia prawidłowego działania silnika wszystkie elementy wykorzystane do jego wytworzenia muszą pozostawać na swoim miejscu.



OSTRZEŻENIE

Przypadkowe iskrzenie może doprowadzić do pożaru lub porażenia prądem elektrycznym.

Przypadkowe uruchomienie może spowodować zapłatanie, odcięcie kończyny lub odniesienie obrażeń.

Zagrożenie pożarowe

Przed dokonywaniem regulacji lub napraw

- Odłączyć przewód świecy zapłonowej i odsunąć go od świecy.
- Rozłączyć akumulator przy zacisku ujemnym (tylko w przypadku silników z rozrusznikiem elektrycznym).
- Należy używać tylko odpowiednich narzędzi.
- Nie manipulować sprężynami, cięgnami lub innymi częściami regulatora obrotów w celu zwiększenia prędkości obrotowej silnika.
- Należy stosować takie same części zamienne i instalować je w tym samym położeniu co części oryginalne. Inne części mogą nie działać wystarczająco dobrze, mogą również uszkodzić urządzenie i spowodować obrażenia.
- Nie wolno uderzać w koło zamachowe młotkiem lub innymi twardymi przedmiotami, ponieważ koło może później rozpaść się w czasie pracy silnika.

Podczas sprawdzania iskry

- Użyć atestowanego testera świec zapłonowych.
- Nie należy sprawdzać iskry przy wyjętej świecy zapłonowej.

Serwisowanie systemu ograniczenia emisji spalin

Konserwacja, wymiana lub naprawa systemów i urządzeń mających na celu ograniczenie emisji musi być przeprowadzona przez dowolny zakład lub osobę zajmującą się naprawą silników do pojazdów niefabrycznych. W celu skorzystania z darmowego serwisu systemu ograniczenia emisji prace należy skontaktować się z autoryzowanym sprzedawcą. Zob. oświadczenia w sprawie ograniczenia emisji.

Harmonogram konserwacji

Po pierwszych 5 godzinach pracy
<ul style="list-style-type: none"> Wymiana oleju
Po każdym 8 godzinach pracy lub codziennie
<ul style="list-style-type: none"> Kontrola poziomu oleju w silniku Czyszczenie obszaru dookoła tłumika i elementów obsługowych Czyszczenie kratki wlotu powietrza
Co każde 25 godzin lub co roku
<ul style="list-style-type: none"> Czyszczenie filtra powietrza ¹ Czyszczenie filtra wstępnego powietrza ¹
Co każde 50 godzin lub co roku
<ul style="list-style-type: none"> Wymiana oleju silnikowego Serwis układu wydechowego
Co 100 godzin
<ul style="list-style-type: none"> Wymiana oleju do reduktora (jeśli jest używany)
Raz do roku
<ul style="list-style-type: none"> Wymiana świec zapłonowych Wymiana filtra powietrza Wymiana filtra wstępnego Serwis układu paliwowego Serwis układu chłodzenia ¹ Sprawdzenie luzu zaworowego ²

¹ W warunkach dużego zapylenia lub przy obecności zanieczyszczeń w powietrzu czyszczenie należy przeprowadzać częściej.

² Nie jest wymagane, dopóki nie stwierdzono problemów z osiąganymi silnika.

Gaźnik i prędkość silnika

Nigdy nie regulować gaźnika ani prędkości silnika. Gaźnik został ustawiony fabrycznie dla wydajnej pracy w większości warunków. Nie manipulować przy sprężynie regulatora, łącznikach lub innych częściach, aby zmienić prędkość silnika. Jeśli wymagane są regulacje, skontaktować się z autoryzowanym punktem serwisowym Briggs & Stratton.

UWAGA Prędkość maksymalna dla silnika zainstalowanego w danym urządzeniu jest określona przez producenta. **Nie przekraczać** tej prędkości. W przypadku braku pewności, jaka jest maksymalna prędkość wyposażenia lub jaka jest nastawa fabryczna prędkości silnika, skontaktować się z autoryzowanym punktem serwisowym Briggs & Stratton, aby uzyskać pomoc. Dla bezpiecznego i prawidłowego działania wyposażenia, prędkość obrotowa silnika powinna być regulowana wyłącznie przez wykwalifikowanego technika serwisu.

Serwis świec zapłonowych

Zob. rysunek: 9

Sprawdzić odstęp (A, rysunek 9) za pomocą szczelinomierza (B). Jeżeli konieczne, ponownie ustawić odstęp elektrod. Zamontować i przykręcić świecę zapłonową z zalecanym momentem. Wielkość szczeliny oraz moment podano w części **Dane techniczne**.

Uwaga: Na niektórych terenach w celu stłumienia sygnałów zapłonu należy użyć świecy z rezystorem. Jeżeli silnik był wyposażony w świecę zapłonową z rezystorem, należy upewnić się, że wymieniana świeca jest tego samego typu.

Serwis układu wydechowego



OSTRZEŻENIE

Pracujący silnik wytwarza ciepło. Części silnika, szczególnie tłumik, nagrzewają się do wysokich temperatur.

Przy kontakcie z nimi mogą powstać poważne oparzenia.

Łatwopalne pozostałości w postaci liści, trawy, brudu itd. mogą się łatwo zapalić.

- Przed dotknięciem należy schłodzić tłumik, cylinder silnika i żebra.
- Usunąć nagromadzone zanieczyszczenia z obszaru tłumika i cylindra.
- Używanie lub obsługiwanie silnika na terenie zalesionym, zakrzewionym lub trawiastym, jeśli układ wydechowy silnika nie jest wyposażony w sprawny chwytacz iskiei, stanowi naruszenie Przepisu 4442 Kodeksu o zasobach publicznych stanu Kalifornia. W innych stanach lub na terenach objętych jurysdykcją federalną mogą obowiązywać podobne przepisy. Skontaktować się z producentem oryginalnego wyposażenia, sprzedawcą detalicznym lub dealerem, aby uzyskać chwytacz iskiei przeznaczony do układu wydechowego zainstalowanego w tym silniku.

Usunąć nagromadzone zanieczyszczenia z obszaru tłumika i cylindra. Skontrolować stan tłumika pod kątem pęknięć, korozji bądź innych uszkodzeń. Zdemontować chwytacz iskiei, jeśli jest zamontowany, po czym skontrolować go pod kątem uszkodzeń oraz obecności nagaru węglowego. W przypadku stwierdzenia uszkodzeń, przed uruchomieniem zamontować części zamienne.



OSTRZEŻENIE

Należy stosować takie same części zamienne i instalować je w tym samym położeniu co części oryginalne. Inne części mogą nie działać wystarczająco dobrze, mogą również uszkodzić urządzenie i spowodować obrażenia.

Wymiana oleju silnikowego

Zob. rysunek: 10, 11

Zużyty olej stanowi zagrożenie dla środowiska i powinien być właściwie utylizowany. Nie wlewać go do odpadów domowych. Informacje dotyczące bezpiecznego usuwania/miejsz utylizacji oleju można uzyskać od władz lokalnych, w centrach serwisowych lub u sprzedawcy.

Usuwanie oleju

1. Gdy silnik jest wyłączony, ale wciąż jeszcze ciepły, odłączyć przewód świecy zapłonowej (D, rys. 10) i odsunąć go od świecy (E).
2. Wyjąć wskaźnik prętotowy (A, rys. 11).
3. Wyjąć korek spustu oleju (F, rys. 11). Spuścić olej do atestowanego pojemnika.

Uwaga: Na silniku zamontowane są różne korki spustowe (G, rys. 11).

4. Po spuszczeniu oleju ponownie zamocować i przykręcić korek spustowy (F, rys. 11).

Dodawanie oleju

- Upewnić się, że silnik jest wypoziomowany.
- Oczyszczyć obszar wlewu oleju z wszelkich zanieczyszczeń.
- Ilości oleju podano w części **Dane techniczne**.

1. Wyjąć wskaźnik prętotowy (A, rys. 11) i wytrzeć czystą ściereczką.
2. Powoli wlać olej przez otwór do napełniania (C, rys. 11). Napełnić do maksimum.
3. Zamocować wskaźnik prętotowy (A, rys. 11). **Nie obracać ani nie dokręcać.**
4. Wyjąć wskaźnik i sprawdzić poziom oleju. Poziom oleju jest prawidłowy, jeśli sięga górnego znacznika na wskaźniku (B, rys. 11).
5. Ponownie zamocować i dokręcić wskaźnik prętotowy (A, rys. 11).
6. Podłączyć przewód świecy zapłonowej (D, rys. 10) do świecy (E).

Wymiana oleju do reduktora

Zob. rysunek: 12, 13

Reduktor 6:1 (rys. 12)

Jeśli silnik jest wyposażony w reduktor 6:1, należy wykonać następujące czynności serwisowe:

1. Wyjąć korek wlewu oleju (A, rys. 12) i korek otworu do kontroli poziomu oleju (B).
2. Wyjąć korek spustowy (C, rys. 12) i odprowadzić olej do odpowiedniego pojemnika.
3. Zamocować i dokręcić korek spustu oleju (C, rys. 12).
4. Wlać olej przekładniowy (zob. rozdział **Dane techniczne**) do wlewu oleju (D, rys. 12). Nalewać aż olej zacznie wydobywać się przez otwór do kontroli poziomu oleju (E).
5. Zamocować i dokręcić korek otworu do kontroli poziomu oleju (B, rys. 12).
6. Zamocować i dokręcić korek wlewu oleju (A, rys. 12).

Uwaga: W korku wlewu oleju (A, rys. 12) znajduje się otwór wentylacyjny (F); korek należy zamocować w górnej części obudowy przekładni, zgodnie z rysunkiem.

Reduktor 2:1 (rys. 13)

Reduktor 2:1 (G, rys. 13) nie wymaga wymiany oleju.

Serwis filtra powietrza

Zob. rysunek: 14, 15, 16



OSTRZEŻENIE



Paliwo i jego opary są łatwopalne i wybuchowe.

Pożar lub wybuch mogą przyczynić się do poważnych poparzeń lub doprowadzić do śmierci.

- Nigdy nie należy włączać silnika ze zdjętym zestawem do oczyszczania powietrza (jeśli jest na wyposażeniu) lub filtrem powietrza (jeśli jest na wyposażeniu).

UWAGA Do czyszczenia filtra nie należy używać sprężonego powietrza lub rozpuszczalników. Sprężone powietrze może uszkodzić filtr, a rozpuszczalniki mogą spowodować jego rozpuszczenie.

Wymagania serwisowe opisano w rozdziale **Harmonogram konserwacji**.

Zależnie od modelu stosowane są filtry piankowe lub papierowe. Niektóre modele wyposażone są w filtr wstępny, który można umyć i wykorzystać ponownie. Porównać rysunki w niniejszej instrukcji z posiadanym silnikiem i odpowiednio przeprowadzić serwisowanie.

Piankowy filtr powietrza

1. Poluzować elementy mocujące (A, rys. 14).
2. Zdemontować pokrywę (B, rys. 14).
3. Usunąć element mocujący (D, rys. 14) i podkładkę (E).
4. Aby zapobiec zanieczyszczeniu gaźnika, ostrożnie wyjąć wkład piankowy (C, rys. 14) z obudowy filtra powietrza (G).
5. Zdemontować element wsporczy (F, rys. 14) wkładu piankowego (C).
6. Umyć wkład piankowy (C, rys. 14) w detergencie płynnym i wodzie. Wycisnąć wkład piankowy do sucha w czystą ściereczkę.
7. Namoczyć wkład piankowy (C, rys. 14) w czystym oleju silnikowym aż do nasycenia. Wycisnąć wkład piankowy w czystą ściereczkę, aby usunąć nadmiar oleju silnikowego.
8. Zamontować element wsporczy (F, rys. 14) wkładu piankowego (C).
9. Zamontować wkład piankowy (C, rys. 14) w obudowie filtra powietrza (G) i na kołku (H). Upewnić się, że wkład piankowy jest prawidłowo umieszczony w obudowie oraz zabezpieczony podkładką (E) i elementem mocującym (D).
10. Zamknąć pokrywę (B, rys. 14) i zabezpieczyć elementami mocującymi (A). Sprawdzić, czy elementy mocujące są dobrze dokręcone.

Papierowy filtr powietrza

1. Poluzować elementy mocujące (A, rys. 15).
2. Zdemontować pokrywę (B, rys. 15).
3. Zdemontować element mocujący (E, rys. 15).
4. Aby zapobiec zanieczyszczeniu gaźnika, ostrożnie wyjąć filtr wstępny (D, rys. 15), jeśli jest na wyposażeniu i filtr (C) z obudowy filtra powietrza (F).
5. Aby usunąć zanieczyszczenia, delikatnie poklepać twardą część filtra (C, rys. 15). Jeśli filtr jest wyjątkowo mocno zabrudzony, wymienić na nowy.
6. Wyjąć filtr wstępny (D, rys. 15), jeśli jest na wyposażeniu z filtra (C).
7. Umyć filtr wstępny (D, rys. 15) w detergencie płynnym i wodzie. Pozostawić do całkowitego wyschnięcia. **Nie smarować filtra wstępnego olejem.**

- Zamontować filtr wstępny suchy (D, rys. 15), jeśli jest na wyposażeniu w filtrze (C).
- Zamontować podkładkę uszczelniającą (H, rys. 15) i filtr (C) i filtr wstępny (D), jeśli jest na wyposażeniu w obudowie filtra powietrza (F) i na kołku (G). Upewnić się, że filtr jest prawidłowo umieszczony w obudowie i zabezpieczony elementem mocującym (E).
- Zamknąć pokrywę (B, rys. 15) i zabezpieczyć elementami mocującymi (A). Sprawdzić, czy elementy mocujące są dobrze dokręcone.

Papierowy filtr powietrza

- Poluzować elementy mocujące (D, rys. 16).
- Zdemontować pokrywę (A, rys. 16).
- Wyjąć filtr wstępny (C, rys. 16), jeśli znajduje się na wyposażeniu, oraz filtr (B).
- Aby usunąć zanieczyszczenia, delikatnie postukać filtrem (B, rys. 16) o twarde podłoże. Jeśli filtr jest wyjątkowo mocno zabrudzony, wymienić na nowy.
- Umyć filtr wstępny (C, rys. 16), jeśli znajduje się na wyposażeniu, w detergencie płynnym i wodzie. Pozostawić do całkowitego wyschnięcia. **Nie** smarować filtra wstępnego olejem.
- Zamontować suchy filtr wstępny (C, rys. 16), jeśli znajduje się na wyposażeniu, oraz filtr (B).
- Zamknąć pokrywę (A, rys. 16) i zabezpieczyć elementami mocującymi (D). Sprawdzić, czy elementy mocujące są dobrze dokręcone.

Serwis układu paliwowego

Zob. rysunek: 17, 18



OSTRZEŻENIE

Paliwo i jego opary są łatwopalne i wybuchowe.

Pożar lub wybuch mogą przyczynić się do poważnych poparzeń lub doprowadzić do śmierci.

- Nie przechowywać paliwa w pobliżu źródeł iskier, nieosłoniętych płomieni, płomieni pilota, źródeł ciepła lub innych źródeł zapłonu.
- Sprawdzić, czy przewody paliwa, zbiornik, korek wlewu lub złącza nie są pęknięte lub nie przeciekają. Jeżeli zajdzie potrzeba, wymienić.
- Przed czyszczeniem lub wymianą filtra paliwa opróżnić zbiornik paliwa lub zamknąć zawór odcinający paliwa.
- W przypadku rozlania paliwa należy odczekać z uruchomieniem silnika aż do jego wyparowania.
- Części zamienné muszą być takie same i muszą zostać zamontowane w takim samym położeniu co części oryginalne.

Filtr paliwa, jeśli znajduje się na wyposażeniu

- Przed czyszczeniem lub wymianą filtra paliwa (A, rys. 17) opróżnić zbiornik paliwa lub zamknąć zawór odcinający paliwa. W przeciwnym razie może dojść do wycieku paliwa i wystąpienia pożaru lub wybuchu.
- Za pomocą szczyptic ścisnąć występy (B, rys. 17) na zaciskach (C), a następnie zsunąć zaciski z filtra paliwa (A). Skręcić i ściągnąć przewody paliwa (D) z filtra paliwa.
- Sprawdzić przewody paliwa (D, rys. 17) pod kątem pęknięć lub przecieków. Jeżeli zajdzie potrzeba, wymienić.
- Wymienić filtr paliwa (A, rys. 17) na oryginalny filtr zamienny.
- Zabezpieczyć przewody paliwowe (D, rys. 17) zaciskami, jak pokazano.

Filtr siatkowy paliwa, jeśli znajduje się na wyposażeniu

- Odkręcić korek wlewu paliwa (A, rys. 18).
- Usunąć filtr siatkowy paliwa (B, rys. 18).
- Zabrudzony filtr siatkowy paliwa należy wyczyścić lub wymienić. W przypadku wymiany upewnić się, że filtr wymieniany jest na oryginalny filtr zamienny.

Serwis układu chłodzenia



OSTRZEŻENIE

Pracujący silnik wytwarza ciepło. Części silnika, szczególnie tłumik, nagrzewają się do wysokich temperatur.

Przy kontakcie z nimi mogą powstać poważne oparzenia.

Łatwopalne pozostałości w postaci liści, trawy, brudu itd. mogą się łatwo zapalić.

- Przed dotknięciem należy schłodzić tłumik, cylinder silnika i żebra.
- Usunąć nagromadzone zanieczyszczenia z obszaru tłumika i cylindra.

UWAGA Do czyszczenia silnika nie wolno stosować wody. Woda może zanieczyścić układ paliwowy. Do czyszczenia silnika stosować szczotkę lub suchą szmatkę.

Silnik jest chłodzony powietrzem. Brud lub zanieczyszczenia mogą ograniczyć przepływ powietrza i spowodować przegrzanie silnika, powodując pogorszenie osiągnięć oraz zmniejszając jego trwałość.

- Do usunięcia zanieczyszczeń z obszaru wlotu powietrza użyć szczotki lub suchej szmatki.
- Cięgna, sprężyny i elementy sterujące utrzymywać w czystości.
- Obszar dookoła i za tłumikiem oczyścić ze wszystkich palnych zanieczyszczeń.
- Upewnić się, czy żeberka chłodnicy oleju są wolne od zabrudzeń i zanieczyszczeń.

Wręcz z upływem czasu zanieczyszczenia mogą gromadzić się między żeberkami chłodzenia cylindra i doprowadzić do przegrzania silnika. Zanieczyszczeń tych nie można zauważyć bez częściowego rozebrania silnika. Skontaktować się z autoryzowanym serwisem Briggs & Stratton celem przeprowadzenia przeglądu i wyczyszczenia układu chłodzenia powietrzem zgodnie z harmonogramem podanym w części **Harmonogram konserwacji**.

Przechowywanie



OSTRZEŻENIE

Paliwo i jego opary są łatwopalne i wybuchowe.

Pożar lub wybuch mogą spowodować groźne oparzenia lub śmierć.

W przypadku magazynowania paliwa lub urządzeń z paliwem w zbiorniku

- Przechowywać z dala od pieców, grzejników wody lub innych urządzeń z lampkami kontrolnymi lub innych źródeł zapłonu, ponieważ mogą one spowodować zapalenie oparów paliwa.

Układ paliwowy

Zob. rysunek: 19

Silnik należy przechowywać w pozycji poziomej (prawidłowe położenie robocze). Napełnić zbiornik paliwa (A, rys. 19) paliwem. Aby umożliwić rozprężanie paliwa, nie należy napełniać zbiornika paliwa powyżej szyjki wlewu paliwa (B).

Jeśli paliwo jest przechowywane przez okres dłuższy niż 30 dni, może stać się zwiędnięte. Zestarzałe paliwo powoduje tworzenie się kwasu i żywicy w układzie paliwowym lub na najważniejszych elementach gaźnika. Aby zachować świeżość paliwa **należy zastosować uszlachetniacz i stabilizator paliwa o zaawansowanej formule Briggs & Stratton**, dostępny we wszystkich punktach sprzedaży oryginalnych części zamiennych Briggs & Stratton.

Jeśli stabilizator paliwa dodawany jest zgodnie z instrukcją, nie ma potrzeby spuszczenia paliwa z silnika. Przed przechowywaniem, włącz silnik na dwie (2) minuty, aby rozpróżnić stabilizator w układzie paliwa.

Jeśli do paliwa znajdującego się w silniku nie dodano stabilizatora paliwa, paliwo należy spuścić do odpowiedniego pojemnika. Pozostawić silnik włączony do czasu, aż wyłączy się z powodu braku paliwa. Celem zachowania świeżości paliwa zaleca się dodawanie stabilizatora do paliwa przechowywanego w kanistrze.

Olej silnikowy

Olej wymieniać, kiedy silnik jest gorący. Zob. część **Wymiana oleju silnikowego**.

Rozwiązywanie problemów

Celem uzyskania pomocy skontaktować się ze sprzedawcą, odwiedzić stronę internetową **VanguardEngines.com** lub zadzwonić na numer **1-800-999-9333** (w USA).

Dane techniczne

Model: 130000	
Pojemność skokowa	12.48 ci (205 cc)
Otwór	2.688 in (68,28 mm)
Skok	2.200 in (55,88 mm)
Pojemność miski olejowej	20 - 22 oz (,59 - ,65 L)

Model: 130000	
Typ oleju do reduktora	80W-90
Ilość oleju do reduktora	4 oz (,12 L)
Szczelina świecy	.030 in (,76 mm)
Moment dokręcania świecy zapłonowej	180 lb-in (20 Nm)
Szczelina powietrzna cewki	.010 - .014 in (,25 - ,36 mm)
Luz zaworu ssącego	.004 - .006 in (,10 - ,15 mm)
Luz zaworu wydechowego	.009 - .011 in (,23 - ,28 mm)

Model: 190000	
Pojemność skokowa	18.63 ci (305 cc)
Otwór	3.120 in (79,24 mm)
Skok	2.438 in (61,93 mm)
Pojemność miski olejowej	26 - 28 oz (,77 - ,83 L)
Typ oleju do reduktora	SAE 30
Ilość oleju do reduktora	12 oz (,35 L)
Szczelina świecy	.030 in (,76 mm)
Moment dokręcania świecy zapłonowej	180 lb-in (20 Nm)
Szczelina powietrzna cewki	.010 - .014 in (,25 - ,36 mm)
Luz zaworu ssącego	.004 - .006 in (,10 - ,15 mm)
Luz zaworu wydechowego	.004 - .006 in (,10 - ,15 mm)

Moc silnika spada o 3,5% na każde 300 metrów (1000 stóp) powyżej poziomu morza i o 1% na każde 5,6°C (10°F) powyżej 25°C (77°F). Silnik będzie pracował zadowalająco pod kątem do 15°. Dopuszczalne ograniczenia dla bezpiecznej pracy na pochyłościach zawarte są w instrukcji obsługi wyposażenia.

Części zamienne – model: 130000, 190000	
Części zamienne	Numer części
Piankowy filtr powietrza (Model 130000, rys. 14)	797378
Papierowy filtr powietrza (model. 130000, rys. 15)	797033
Filtr wstępny (Model 130000, rys. 15)	798513
Papierowy filtr powietrza (model. 190000, rys. 15)	797032
Filtr wstępny (Model 190000, rys. 15)	798795
Papierowy filtr powietrza (rys. 16)	474279
Filtr wstępny (rys.16)	491435S
Uszlachetniacz i stabilizator paliwa o zaawansowanej formule	100117, 100120
Świeca zapłonowa z rezystorem	491055
Klucz do świecy zapłonowej	19576, 5402
Tester iskry	19368

Zalecamy skontaktowanie się z autoryzowanym punktem serwisowym Briggs & Stratton w kwestiach konserwacji i napraw silnika i części silnika.

Moc znamionowa: Maksymalna moc znamionowa poszczególnych modeli silników benzynowych jest podawana zgodnie z przepisami J1940 (Small Engine Power & Torque Rating Procedure, Procedura oznaczania wartości znamionowej mocy i momentu obrotowego dla małych silników) ustalonymi przez stowarzyszenie SAE (Society of Automotive Engineers), a otrzymana moc znamionowa została uzyskana zgodnie z wymaganiami normy SAE J1995. Wartości momentu obrotowego zostały określone przy prędkości obrotowej 2600 obr./min w przypadku tych silników, które mają oznaczenie „rpm” (obr./min) podane na tabliczce znamionowej, oraz przy prędkości obrotowej 3060 obr./min w przypadku wszystkich pozostałych silników. Wartości mocy wyrażanej w kilowatach mechanicznych zostały obliczone przy prędkości obrotowej 3600 obr./min. Z krzywymi mocy maksymalnej można zapoznać się na stronie www.BRIGGSandSTRATTON.COM. Wartości mocy netto uzyskano podczas pomiaru z zainstalowanym wydechem i filtrem powietrza, podczas gdy maksymalne wartości mocy silnika uzyskano bez tych elementów. Rzeczywista maksymalna moc silnika będzie wyższa od wartości mocy netto silnika i będą mieć na to wpływ, między innymi, zewnętrzne warunki eksploatacji oraz różnice jednostkowe pomiędzy poszczególnymi silnikami. Przy tak szerokim asortymencie produktów, w których silniki są montowane, w konkretnym urządzeniu silnik benzynowy może nie uzyskać maksymalnej mocy znamionowej. Takie różnicowanie jest skutkiem działania wielu czynników, w tym między innymi elementów silnika (filtr powietrza, wydech, poziom naładowania akumulatora, chłodzenie, gaźnik, pompa paliwowa itd.), ograniczeń dotyczących stosowania, zewnętrznych warunków eksploatacji (temperatura, wilgotność, wysokość) oraz indywidualnych różnic pomiędzy silnikami. Z uwagi na ograniczenia

produkcyjne i pojemnościowe firma Briggs & Stratton może zastępować silniki tej serii silnikami o wyższej mocy znamionowej.

Gwarancja

Gwarancja na silnik Briggs & Stratton

Obowiązuje od stycznia 2017 r.

Ograniczona gwarancja

Briggs & Stratton gwarantuje, że we wskazanym poniżej okresie gwarancji dokona nieodpłatnej naprawy lub wymiany dowolnej części obciążonej wadami materiałowymi, wadami wykonania lub obydwojoma rodzajami wad. Koszty transportu produktów dostarczanych do naprawy lub wymiany w ramach niniejszej Gwarancji ponosi nabywca. Gwarancja jest ważna przez okres podany poniżej i podlega warunkom określonym poniżej. Obsługę serwisową należy wykonywać w autoryzowanym punkcie serwisowym, który można znaleźć w witrynie internetowej BRIGGSandSTRATTON.COM. Nabywca musi zwrócić się do autoryzowanego punktu serwisowego, a następnie udostępnić mu produkt do kontroli i sprawdzenia.

Nie udziela się innej wyraźnej gwarancji. Gwarancje domniemane, w tym między innymi gwarancje wartości handlowej lub przydatności do konkretnego celu są ważne przez okres podany poniżej lub przez okres, na jaki pozwala prawo. Odpowiedzialność z tytułu szkód ubocznych lub wynikowych są wykluczone w zakresie dopuszczalnym przez prawo. Niektóre stany lub kraje mogą nie zezwalać na ograniczenie okresu odpowiedzialności za szkody uboczne lub następcze, a niektóre stany lub kraje nie zezwalają na wykluczenia lub ograniczenie odpowiedzialności za szkody uboczne lub następcze, w związku z tym powyższe ograniczenie i wykluczenie mogą nie dotyczyć niektórych użytkowników. Gwarancja ta zapewnia Państwu określone ustawowe prawa oprócz innych praw obowiązujących w różnych krajach lub stanach. ⁴

Standardowe warunki gwarancyjne 1, 2, 3

Marka/nazwa produktu	Do użytku konsumenta	Zastosowanie komercyjne
Vanguard™; seria komercyjna	36 miesięcy	36 miesięcy
Silniki wyposażone w tuleje żeliwne Dura-Bore™	24 miesiące	12 miesięcy
Inne silniki	24 miesiące	3 miesiące

¹ Są to nasze standardowe warunki gwarancji, jednak w niektórych przypadkach zakres gwarancji może być rozszerzony, co nie zostało określone w momencie publikacji. Lista aktualnych warunków gwarancji dla danego silnika znajduje się na stronie BRIGGSandSTRATTON.com lub można ją uzyskać w autoryzowanym punkcie serwisowym firmy Briggs & Stratton.

² Silniki stosowane w sprzęcie używanym do wytwarzania mocy pierwotnej zamiast do celu użytkowego oraz w generatorach zapasowych używanych dla celów komercyjnych nie są objęte gwarancją. Silniki stosowane w wysięgach lub na torach komercyjnych, albo dzierżawionych nie podlegają gwarancji.

³ Silniki Vanguard wykorzystywane w generatorach awaryjnych: zastosowanie konsumenckie: 24 miesiące, zastosowanie komercyjne: brak gwarancji. Silniki Vanguard wykorzystywane w pojazdach użytkowych: zastosowanie konsumenckie: 24 miesiące, zastosowanie komercyjne: 24 miesiące. Seria komercyjna z datą produkcji przed lipcem 2017: 24 miesiące w zastosowaniach konsumenckich, 24 miesiące w zastosowaniach komercyjnych.

⁴ W Australii nasze produkty są objęte gwarancjami, których zgodnie z australijskim prawem konsumenckim nie można wyłączyć. Użytkownikowi przysługuje wymiana urządzenia lub zwrot pieniędzy w razie poważnej awarii oraz odszkodowanie z tytułu wszelkich innych dostatecznie przewidywalnych strat i szkód. Użytkownikowi przysługuje również prawo do naprawy lub wymiany towaru, jeśli jakość towaru jest nieakceptowalna, a jego awaria nie kwalifikuje się jako poważna. Aby skorzystać z obsługi gwarancyjnej, należy wyszukać najbliższy autoryzowany punkt serwisowy na mapie dostępnej w witrynie BRIGGSandSTRATTON.com, zadzwonić na numer 1300 274 447 lub przesłać wiadomość e-mail bądź list na adres odpowiednio salesenquires@briggsandstratton.com.au lub Briggs & Stratton Australia Pty Ltd, 1 Moorebank Avenue, Moorebank, NSW, Australia, 2170.

Okres obowiązywania gwarancji liczony jest od pierwszej daty zakupu dokonanej przez pierwszego nabywcę detalicznego lub komercyjnego. „Zastosowanie konsumenckie” oznacza użytkowanie we własnym gospodarstwie domowym konsumenta. „Zastosowanie komercyjne” oznacza wszystkich innych użytkowników wykorzystujących urządzenie do celów komercyjnych, zarobkowych i pod wynajem. Jeżeli silnik był choć raz stosowany w celach komercyjnych, to w rozumieniu tej gwarancji traktowany będzie jako silnik o zastosowaniu komercyjnym.

Zachować dowód zakupu. Jeśli w czasie wystąpienia o obsługę gwarancyjną użytkownik nie przedstawi dowodu zakupu, okres obowiązywania gwarancji zostanie ustalony na podstawie daty wyprodukowania urządzenia. Rejestracja produktu nie jest wymagana do uzyskania gwarancji na produkty marki Briggs & Stratton.

Informacja o gwarancji

Gwarancja obejmuje wyłącznie wady materiałowe i/lub produkcyjne silnika, natomiast nie dotyczy ona wymiany lub zwrotu kosztów sprzętu, w którym zamontowano silnik. Konserwacja okresowa, dostrajanie, regulacje lub normalne zużycie nie są objęte gwarancją.

Podobnie, gwarancja nie ma zastosowania, gdy silnik został zmieniony lub zmodyfikowany bądź numer seryjny silnika jest nieczytelny lub został usunięty. Niniejsza gwarancja nie obejmuje uszkodzenia silnika lub problemów jego z działaniem spowodowanych przez:

1. Użycie części, które nie są oryginalnymi częściami firmy Briggs & Stratton;
2. Eksploatację silnika z olejem smarowym w niedostatecznej ilości, zanieczyszczonym lub niewłaściwego gatunku;
3. Użycie paliwa zanieczyszczonego lub przestarzałego, benzyny zawierającej więcej niż 10% etanolu lub użycie paliw alternatywnych, takich jak płynna ropa naftowa lub gaz ziemny w silnikach, które nie zostały oryginalnie zaprojektowane/wyprodukowane przez firmę Briggs & Stratton do zasilania takimi paliwami;
4. Zanieczyszczenia, które przedostały się do silnika z powodu niewłaściwej konserwacji lub niewłaściwego ponownego montażu filtra powietrza;
5. Uderzenie obiektu przez nóż kosiarki obrotowej, luźny lub niewłaściwie zamontowany adapter noża, wirniki lub inne elementy sprzężone z wałem korbowym lub nadmierne napięcie pasa klinowego;
6. Współpracujące części lub zespoły, takie jak sprzęgła, przekładnie, elementy obsługi sprzętu itp. niebędące produktem firmy Briggs & Stratton;
7. Przegrzanie spowodowane przez ścinki trawy, brud i resztki lub gniazda gryzoni, które zatykają lub zapychają obszary żeberek chłodzących lub koła zamachowego lub przez pracę silnika bez dostatecznej wentylacji;
8. Nadmierne drgania spowodowane nadmierną prędkością, luźnymi zamocowaniami silnika, luźnymi lub niewyważonymi nożami lub wirnikami lub nieprawidłowym sprzęgnięciem komponentów wyposażenia z wałem korbowym;
9. Niewłaściwym użyciem, brakiem okresowej konserwacji, niewłaściwym transportem, obsługą lub składowaniem wyposażenia lub niewłaściwą instalacją silnika.

Obsługę gwarancyjną zapewniają wyłącznie autoryzowane serwisy firmy Briggs & Stratton. W celu uzyskania usługi gwarancyjnej należy skontaktować się z najbliższym autoryzowanym punktem serwisowym znalezionym na mapie dostępnej w witrynie BRIGGSandSTRATTON.COM lub zadzwonić pod numer 1-800-233-3723 (w USA).

80004537 Rev C

Not for
Reproduction

Acest manual conține informații privind siguranța, care vă avertizează cu privire la pericolele și riscurile asociate motoarelor și vă informează despre modul în care le puteți evita. De asemenea, conține instrucțiuni privind utilizarea și întreținerea corectă a motorului. Deoarece Briggs & Stratton Corporation nu știe cu siguranță ce echipament va fi acționat de acest motor, este important să citiți și să înțelegeți aceste instrucțiuni, precum și cele referitoare la echipamentul care va fi acționat de acest motor. **Păstrați aceste instrucțiuni originale pentru consultări ulterioare.**

Notă: Figurile, ilustrațiile și simbolurile din acest manual sunt doar pentru referință și pot fi diferite față de modelul dvs. Contactați dealerul dacă aveți întrebări.

Pentru a obține piese de schimb sau asistență tehnică, notați mai jos modelul, tipul și codul motorului împreună cu data achiziției. Aceste numere sunt amplasate pe motor (consultați secțiunea **Caracteristici și comenzi**).

Data achiziției	
Model motor - Tip - Echipare	
Număr de serie motor	

Căutați codul de bare 2D amplasat pe unele motoare. Vizualizat cu un dispozitiv compatibil 2D, codul va afișa site-ul nostru web, pe care puteți să accesați informații de asistență privind acest produs. Se aplică tarife de date. Este posibil ca unele țări să nu beneficieze de informații de asistență online.



Informații privind reciclarea



Toate ambalajele, uleiul uzat și bateriile trebuie reciclate conform reglementărilor guvernamentale în vigoare.

Siguranța operatorului

Simbol de alertă privind siguranța și cuvinte semnal

Simbolul de alertă privind siguranța este folosit pentru identificarea informațiilor referitoare la pericole care pot provoca vătămări corporale. Un cuvânt de avertizare (PERICOL, AVERTISMENT sau ATENȚIE) însoțește simbolul de alertă pentru a desemna probabilitatea și gravitatea potențialei vătămări. În plus, se poate folosi un simbol de pericol pentru a indica tipul pericolului.

PERICOL indică un pericol care, dacă nu este evitat, **se va solda cu moartea sau cu accidentarea gravă.**

AVERTISMENT indică un pericol care, dacă nu este evitat, **se poate solda cu moartea sau cu accidentarea gravă.**

ATENȚIE indică un pericol care, dacă nu este evitat, **se poate solda cu vătămări corporale minore sau moderate.**

NOTIFICARE indică o situație care ar **putea duce la deteriorarea produsului.**

Simboluri de pericol și semnificația acestora

Simbol	Semnificație	Simbol	Semnificație
	Informații privind pericole care pot provoca vătămări corporale.		Citiți și înțelegeți manualul de utilizare înainte de a utiliza sau servisa echipamentul.
	Pericol de incendiu		Pericol de explozie
	Pericol de șoc		Pericol de gaze toxice
	Pericol de suprafețe fierbinți		Pericol de zgomot - se recomandă folosirea de căști antifonice la utilizarea îndelungată.
	Pericol de aruncare a obiectelor - folosiți ochelari de protecție.		Pericol de explozie
	Pericol de degerare		Pericol de recul
	Pericol de amputare - piese în mișcare		Pericol chimic
	Pericol de arsuri termice		Coroziv

Mesaje de siguranță



AVERTISMENT

Anumite componente ale acestui produs și ale accesoriilor asociate conțin substanțe chimice care sunt cunoscute în statul California drept cauzatoare de cancer, malformații congenitale sau alte disfuncții reproductive. Spălați-vă pe mâini după utilizare.



AVERTISMENT

Gazele de eșapament de la acest motor conțin substanțe chimice care sunt cunoscute în statul California drept cauzatoare de cancer, malformații congenitale sau alte disfuncții reproductive.



AVERTISMENT

Motoarele Briggs & Stratton nu sunt proiectate și nu trebuie folosite pentru motorizarea: karturilor recreative, vehiculelor de teren (ATV-uri) pentru copii, recreative sau sportive; motocicletelor; vehiculelor pe pernă de aer; produselor aeronautice; sau vehiculelor folosite în competiții care nu sunt aprobate de Briggs & Stratton. Pentru informații despre produsele destinate competițiilor, consultați www.briggsracing.com. Pentru utilizarea cu ATV-uri utilizate și de tip side-by-side, contactați Briggs & Stratton Engine Application Center, 1-866-927-3349. Folosirea motorului în scopuri improprie poate provoca rănirea gravă sau moartea.



AVERTISMENT



Combustibilul și vaporii săi sunt foarte inflamabili și explozivi.

Incendiul sau explozia pot cauza arsuri grave sau deces.

Atunci când adăugați combustibil

- Opriți motorul și lăsați-l să se răcească timp de cel puțin 2 minute înainte de a scoate bușonul rezervorului de combustibil.
- Umpleți rezervorul de combustibil în aer liber sau în zone bine ventilate.
- Nu umpleți în exces rezervorul de combustibil. Pentru a permite expansiunea combustibilului, nu umpleți deasupra părții inferioare a gulerului rezervorului de combustibil.
- Păstrați combustibilul la distanță față de scânteii, flăcări deschise, flăcări de veghe, căldură și alte surse de aprindere.
- Verificați frecvent liniile de alimentare cu combustibil, rezervorul, bușonul și accesoriile pentru detectarea fisurilor sau scurgerilor. Înlocuiți dacă este necesar.
- În cazul în care se varsă combustibil, așteptați până la evaporarea acestuia înainte de a porni motorul.

Când porniți motorul

- Asigurați-vă că bujia incandescentă, toba de eșapament, bușonul rezervorului de combustibil și filtrul de aer (dacă este prevăzut) sunt montate și fixate.
- Nu porniți motorul cu bujia scoasă.
- Dacă motorul se „îneacă”, setați șocul (dacă este prevăzut) în poziția OPEN/RUN (deschidere/funcționare), deplasați accelerația (dacă este prevăzută) în poziția FAST (rapid) și acționați manivela până la pornirea motorului.

Când utilizați echipamentul

- Nu înclinați motorul sau echipamentul la un unghi care cauzează vărsarea combustibilului.
- Nu înecați carburatorul pentru a opri motorul.
- Nu porniți și nu lăsați motorul să funcționeze fără ansamblu de filtrare (dacă este prevăzut) sau filtru de aer (dacă este prevăzut).

La schimbarea uleiului

- Dacă scurgeți uleiul prin tubul superior de alimentare cu ulei, rezervorul de combustibil trebuie să fie gol, în caz contrar combustibilul se poate scurge, provocând un incendiu sau o explozie.

Dacă înclinați utilajul pentru întreținere

- Dacă efectuați operațiuni de întreținere care necesită înclinarea utilajului, rezervorul de combustibil trebuie să fie gol. În caz contrar, combustibilul se poate scurge, provocând un incendiu sau o explozie.

Când transportați echipamentul

- Transportați-l cu rezervorul de combustibil GOL sau cu robinetul de oprire a combustibilului ÎNCHIS.

Atunci când depozitați combustibil sau echipamentul cu combustibil în rezervor

- Depozitați-le la distanță de cuptoare, sobe, boilere sau alte echipamente care au flăcără de veghe sau altă sursă de aprindere, deoarece acestea ar putea aprinde vaporii de combustibil.



AVERTISMENT

Pornirea motorului creează scânteii.

Scânteile pot aprinde gazele inflamabile din vecinătate.

Consecința poate fi o explozie sau un incendiu.

- Dacă există o scurgere de gaze naturale sau de petrol lichefiat în zonă, nu porniți motorul.
- Nu utilizați fluide de aprindere sub presiune deoarece vaporii sunt inflamabili.



AVERTISMENT

PERICOL DE GAZE OTRĂVITOARE. Gazele de eșapament conțin monoxid de carbon, un gaz otrăvitor care vă poate ucide în câteva minute. **NU îl puteți vedea, mirosi sau gusta.** Chiar dacă nu simțiți miros de gaze de eșapament, este posibil să fiți expus(ă) la monoxid de carbon. **Dacă începeți să aveți grețuri, să vă simțiți amețit(ă) sau slăbit(ă) în timp ce utilizați acest produs, ieșiți IMEDIAT la aer curat. Mergeți la medic. Este posibil să fiți intoxicat(ă) cu monoxid de carbon.**

- Utilizați acest produs NUMAI în exterior la distanță mare față de ferestre, uși și orificii de ventilație, pentru a reduce riscul ca monoxidul de carbon gazos să se acumuleze și să fie potențial atras spre spațiile ocupate.
- Montați alarme de monoxid de carbon care funcționează cu baterii sau alarme de monoxid de carbon conectate la rețeaua electrică având și baterii de rezervă în conformitate cu instrucțiunile producătorului. Alarmerile de fum nu pot detecta monoxidul de carbon.

- NU folosiți acest produs în locuințe, garajuri, pivnițe, spații înguste, șoproane sau alte spații închise parțial, chiar dacă folosiți ventilatoare sau deschideți uși și ferestre pentru ventilare. Monoxidul de carbon se poate acumula rapid în aceste spații și poate să persiste mai multe ore, chiar și după oprirea acestui produs.
- Amplasați ÎNTOTDEAUNA acest produs pe direcția vântului și orientați toba de eșapament în sens opus față de spațiile locuite.



AVERTISMENT

Retragerea rapidă a corzii demarorului (reculul) vă va trage brațul și mâna către motor mai repede decât puteți să îi dați drumul.

Aceasta poate provoca ruperea oaselor, fracturi, zgârieturi sau luxații.

- La pornirea motorului, trageți lent coarda până simțiți rezistență, și apoi trageți rapid pentru a evita reculul.
- Îndepărtați toate echipamentele externe/sarcinile motorului înainte de a porni motorul.
- Componentele echipamentului cuplate direct, cum ar fi, fără limitare, lamele, paetele, roțile de transmisie, roțile de lanț etc., trebuie să fie bine fixate.



AVERTISMENT

Părțile care se rotesc pot intra în contact cu sau pot prinde mâinile, picioarele, părul, îmbrăcămintea sau accesoriile.

Astfel se pot produce amputări traumatice sau tăieturi grave.

- Utilizați echipamentul cu apărătorii montate.
- Țineți mâinile și picioarele la distanță de piesele în mișcare.
- Legați părul lung și scoateți bijuteriile.
- Nu purtați haine largi, șnururi care atârnă sau articole care ar putea fi agățate.



AVERTISMENT

Funcționarea motorului produce căldură. Piesele motorului, în special toba de eșapament, se încălzesc foarte mult.

Se pot produce arsuri termice severe la contactul cu acestea.

Reziduurile inflamabile, precum frunzele, iarba, arborețul etc. se pot aprinde.

- Lăsați toba de eșapament, cilindrul motorului și nervurile să se răcească înainte de a le atinge.
- Îndepărtați materialele inflamabile acumulate în zona tobei de eșapament și a cilindrului.
- Conform California Public Resource Code, secțiunea 4442, este interzisă utilizarea motorului în zone cu păduri, tușișuri sau iarbă fără ca sistemul de evacuare să fie dotat cu un paravan de scânteii, așa cum se definește în secțiunea 4442, aflat în bună stare de funcționare. Alte state sau jurisdicții federale ar putea avea o legislație similară. Contactați producătorul echipamentului original, comerciantul cu amănuntul sau dealerul pentru a obține un paravan de scânteii proiectat pentru sistemul de evacuare montat pe acest motor.



AVERTISMENT

Producerea accidentală de scânteii poate provoca incendii sau electrocutare.

Pornirea accidentală se poate solda cu agățare, amputare traumatică sau tăieturi.

Pericol de incendiu

Înainte de a efectua reglaje sau reparații:

- Deconectați cablul bujiei și țineți-l la distanță de bujie.
- Deconectați borna negativă a bateriei (numai la motoarele cu sistem de aprindere electrică).
- Utilizați numai unelte adecvate.
- Nu efectuați intervenții asupra regulatorului cu arc, asupra lanțurilor cinematice sau asupra altor componente pentru a obține o turație mai mare a motorului.
- Piesele de schimb trebuie să fie identice și montate în aceeași poziție cu piesele originale. Este posibil ca alte piese să nu funcționeze la fel de bine, să deterioreze aparatul sau să provoace vătămări corporale.
- Nu loviți volanta cu ciocanul sau cu obiecte grele. În caz contrar, volanta se poate dezmembra în timpul funcționării.

La testarea bujiei:

- Utilizați dispozitivul de testare aprobat pentru bujii incandescente.
- Nu verificați dacă există scântee atunci când bujia este demontată.

Caracteristici și comenzi

Comenzile motorului

Comparați ilustrația (Figura: 1, 2, 3, 4) cu motorul Dvs. pentru a vă familiariza cu amplasarea diverselor caracteristici și comenzi.

- A. Identificarea motorului **Model - Tip - Cod**
- B. Bujie
- C. Rezervor de combustibil și bușon
- D. Filtrul de aer
- E. Coardă de pornire
- F. Orificiu de alimentare cu ulei și joă
- G. Bușon de scurgere a uleiului
- H. Tobă de eșapament, apărătoare tobă de eșapament (dacă este prevăzută), dispozitiv parascântei (dacă este prevăzută)
- I. Comandă șoc
- J. Manetă de accelerație (dacă este prevăzută)
- K. TransportGuard™ - Manetă pentru combustibil și aprindere
- L. Grilă intrare aer
- M. Reductor (dacă este prevăzută)
- N. Comutator de oprire (dacă este prevăzută)
- O. Comutator demaror electric (dacă este prevăzută) ¹

¹ Unele modele și echipamente sunt dotate cu sisteme de control de la distanță. Consultați manualul echipamentului pentru instrucțiuni despre amplasarea și utilizarea comenzilor de la distanță.

Simbolurile comenzilor motorului și explicația acestora

Simbol	Semnificație	Simbol	Semnificație
	Turație motor - RAPID		Turație motor - LENT
	Turație motor - OPRIT		PORNIT - OPRIT
	Pornire motor - Șoc ÎNCHIS		Pornire motor - Șoc DESCHIS
	Bușon rezervor Robinet de închidere a combustibilului - DESCHIS		Robinet de închidere a combustibilului - ÎNCHIS
	Nivel combustibil - Maxim Nu alimentați în exces		

Utilizare

Recomandări referitoare la ulei

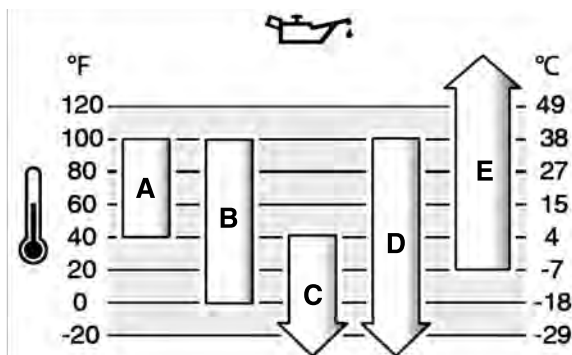
Capacitate ulei: Consultați **Specificații** Adăugarea uleiului.

NOTIFICARE

Acest motor este livrat de către Briggs & Stratton fără ulei. Se poate ca producătorii sau distribuitorii echipamentului să fi adăugat ulei la motor. Înainte de a porni motorul pentru prima oară, asigurați-vă că ați verificat nivelul uleiului și ați adăugat ulei conform instrucțiunilor din acest manual. Dacă porniți motorul fără ulei, acesta se va defecta ireparabil și nu va beneficia de garanție.

Pentru cea mai bună performanță vă recomandăm uleiurile certificate și garantate de la Briggs & Stratton. Alte uleiuri de calitate ridicată cu rol de curățare sunt acceptate dacă sunt clasificate pentru service SF, SG, SH, SJ sau clase superioare. Nu folosiți aditivi speciali.

Temperaturile din exterior determină viscozitatea corespunzătoare a uleiului pentru motor. Folosiți tabelul pentru a selecta cea mai bună viscozitate pentru prognoza intervalului de temperatură din exterior. Motoarele de la majoritatea echipamentelor electrice de exterior funcționează bine cu ulei 5W-30 Synthetic. Pentru echipamentele ce funcționează la temperaturi ridicate, uleiul Vanguard™ 15W-50 Synthetic oferă cea mai bună protecție.



A	SAE 30 - Sub 40 °F (4 °C), utilizarea SAE 30 va avea ca rezultat o pornire grea.
B	10W-30 - Peste 80°F (27°C), utilizarea de 10W-30 poate cauza creșterea consumului de ulei. Verificați nivelul uleiului mai frecvent.
C	5W-30
D	Synthetic 5W-30
E	Vanguard™ Synthetic 15W-50

Verificarea nivelului uleiului

Vezi Figura 5

Înainte de a adăuga ulei sau de a verifica nivelul uleiului

- Asigurați-vă că motorul este orizontal.
- Curățați zona orificiului de alimentare cu ulei de orice fel de reziduuri.

1. Scoateți joja (A, Figura 5) și ștergeți-o cu o cârpă curată.
2. Introduceți joja (A, Figura 5). **Nu o rotiți și nu o strângeți.**
3. Scoateți joja și verificați nivelul uleiului. Nivelul corect al uleiului este în partea superioară a indicatorului de umplere (B, Figura 5) de pe jojă.
4. Dacă nivelul uleiului este scăzut, turnați lent uleiul în orificiul de alimentare cu ulei (C, Figura 5). Umpleți la maxim.
5. Montați la loc și strângeți joja (A, Figura 5).

Sistem de protecție împotriva nivelului scăzut al uleiului (dacă este prevăzută)

Unele motoare sunt echipate cu un senzor de nivel scăzut al uleiului. Dacă nivelul uleiului este scăzut, senzorul va activa o lampă de avertizare sau va opri motorul. Opriți motorul și urmați aceste etape înainte de a reporni motorul.

- Asigurați-vă că motorul este orizontal.
- Verificați nivelul uleiului Consultați secțiunea **Verificarea nivelului uleiului.**
- Dacă nivelul uleiului este scăzut, adăugați cantitatea corespunzătoare de ulei. Porniți motorul și asigurați-vă că lampa de avertizare (dacă este prevăzută) nu se aprinde.

- Dacă nivelul uleiului nu este scăzut, nu porniți motorul. Contactați un dealer cu service autorizat Briggs & Stratton pentru a remedia problema cu uleiul.

Recomandări privind combustibilul

Combustibilul trebuie să îndeplinească următoarele cerințe:

- Benzină fără plumb, curată, proaspătă.
- Cifra octanică minim 87/87 AKI (91 RON). Utilizarea la altitudine mare; consultați mai jos.
- Este permisă utilizarea benzinei cu până la 10% etanol (gasolhol).

NOTIFICARE Nu utilizați tipuri neaprobate de benzină, cum ar fi E15 și E85. Nu amestecați ulei în benzină și nu modificați motorul pentru a funcționa pe combustibili alternativi. Utilizarea unor combustibili neapropați va avaria componentele motorului, care nu vor beneficia de garanție.

Pentru a proteja sistemul de combustibil împotriva formării gumei, amestecați un stabilizator în combustibil. Consultați secțiunea **Depozitare**. Nu toți combustibilii sunt identici. Dacă survin probleme de pornire sau de performanță, schimbați furnizorii de combustibil sau schimbați marca. Acest motor este certificat pentru funcționarea pe benzină. Sistemul de control al emisiilor de pe acest motor este EM (Modificări Motor).

Altitudine ridicată

La altitudine peste 5.000 picioare (1.524 m), se acceptă benzină cu cifră minimă de 85 octani/85 AKI (89 RON).

În cazul motoarelor cu carburator, pentru menținerea performanțelor este necesară reglarea pentru altitudine înaltă. Utilizarea fără aceste reglaje va conduce la scăderea performanțelor, la sporirea consumului de combustibil și la intensificarea emisiilor. Pentru informații referitoare la reglarea pentru înaltă altitudine, consultați un dealer autorizat Briggs & Stratton. Nu se recomandă utilizarea motorului la altitudini sub 2.500 picioare (762 m) cu reglajele pentru altitudini mari.

Pentru motoarele cu injecție electronică a combustibilului (EFI), nu este necesară reglarea pentru altitudine ridicată.

Adăugarea carburantului

Vezi Figura 6



Combustibilul și vaporii săi sunt foarte inflamabili și explozivi.

Incendiul sau explozia se pot solda cu arsuri severe sau cu moartea.

Când alimentați cu combustibil

- Opriți motorul și lăsați-l să se răcească cel puțin 2 minute înainte de a scoate bușonul rezervorului de benzină.
 - Umpleți rezervorul de benzină în spațiul exterior (în aer liber) sau în spații bine ventilate.
 - NU supraumpleți rezervorul de benzină. Pentru a ține seama de dilatarea carburantului, nu umpleți peste partea de jos a gâtului rezervorului (C) de benzină.
 - Țineți benzina la distanță de scânteii, flăcări deschise, arzătoare pilot („flăcără de veghe”), căldură sau alte surse de aprindere.
 - Verificați frecvent furtunurile/conductele de benzină, rezervorul, bușonul și fittingurile dacă prezintă fisuri sau scurgeri. Înlocuiți-le dacă este necesar.
 - Dacă au loc scurgeri de benzină, așteptați până când acestea se evaporă și numai după aceea porniți motorul.
1. Curățați de orice fel de depuneri/reziduuri zona bușonului rezervorului de benzină. Demontați rezervorul de combustibil.
 2. Alimentați rezervorul de combustibil (A, Figura 6) cu combustibil. Pentru a permite dilatarea carburantului, nu umpleți peste partea de jos a gâtului rezervorului (B) de combustibil.
 3. Montați la loc bușonul de combustibil.

Pornirea și oprirea motorului

Vezi Figura: 7, 8

Pornirea motorului



Retragerea rapidă a corzii demarorului (reculul) vă va trage brațul și mâna înspre motor mai repede decât îi puteți da dvs. drumul.

Pot rezulta oase rupte/fracturi, vânătăi sau luxații.

- La pornirea motorului, trageți lent/încet coarda de pornire până când simțiți o rezistență, iar apoi trageți brusc pentru a evita reculul.



Combustibilul și vaporii săi sunt foarte inflamabili și explozivi.

Incendiul sau explozia se pot solda cu arsuri grave sau cu moartea.

Când porniți motorul

- Asigurați-vă că bujia, toba de eșapament, bușonul rezervorului de benzină și filtrul de aer (dacă este prevăzut) sunt la locul lor și sunt bine fixate.
- Nu porniți motorul cu bujia scoasă.
- Dacă motorul s-a înecat, puneți șocul (dacă este prevăzut) în poziția DESCHIS sau FUNCȚIONARE, mutați maneta de accelerație (dacă este prevăzută) în poziția RAPID și acționați până când motorul pornește.



PERICOL DE GAZE OTRĂVITOARE. Gazele de eșapament conțin monoxid de carbon, un gaz otrăvitor care vă poate ucide în câteva minute. NU îl puteți vedea, mirosi sau gusta. Chiar dacă nu simțiți miros de gaze de eșapament, este posibil să fiți expus(ă) la monoxid de carbon. Dacă începeți să aveți grețuri, amețeli sau să vă simțiți slăbit(ă) în timp ce folosiți acest produs, ieșiți IMEDIAT la aer curat. Apelați la un doctor. Este posibil să fiți intoxicaț(ă) cu monoxid de carbon.

- Folosiți acest produs NUMAI în aer liber, la distanță de ferestre, uși și orificii de ventilare, pentru a reduce pericolul de acumulare a monoxidului de carbon și de intrare a acestuia în spații locuite.
- Montați alarme de monoxid de carbon care funcționează cu baterii sau conectate la priză cu baterii de rezervă în conformitate cu instrucțiunile producătorului. Alarmerle de fum nu pot să detecteze monoxidul de carbon.
- NU folosiți acest produs în locuințe, garajuri, pivnițe, spații înguste, șoproane sau alte spații închise parțial, chiar dacă folosiți ventilatoare sau deschideți uși și ferestre pentru ventilare. Monoxidul de carbon se poate acumula rapid în aceste spații și poate să persiste mai multe ore, chiar și după oprirea acestui produs.
- Amplasați ÎNTOTDEAUNA acest produs pe direcția vântului și orientați toba de eșapament în sens opus față de spațiile locuite.

NOTIFICARE Acest motor este livrat de către Briggs & Stratton fără ulei. Înainte de a porni motorul, asigurați-vă că ați adăugat ulei conform instrucțiunilor din acest manual. Dacă porniți motorul fără ulei, acesta se va defecta ireparabil și nu va beneficia de garanție.

Notă: Unele echipamente sunt dotate cu sisteme de control de la distanță. Consultați manualul echipamentului pentru instrucțiuni despre amplasarea și utilizarea comenzilor de la distanță.

1. Verificați nivelul uleiului din motor. Consultați secțiunea **Verificarea nivelului uleiului**.
2. Asigurați-vă că comenzile de deplasare ale echipamentului, dacă sunt prevăzute, nu sunt activate.
3. Deplasați maneta pentru combustibil sau aprindere (A, Figura 7), dacă este prevăzută, în poziția oprit sau stop.
4. Deplasați maneta de accelerație (B, Figura 7), dacă este prevăzută, în poziția rapid. Utilizați motorul în poziția rapid.
5. Mutați șocul (C, Figura 7, 8) în poziția închis.

Notă: Notă: De obicei, nu este necesar să folosiți șocul la pornirea unui motor cald.

6. Apăsăți comutatorul de oprire (E, Figura 8), dacă este prevăzut, în poziția pornit.
7. **Demaror cu arc, dacă este prevăzut:** Apucați ferm mânerul corzii de pornire (D, Figura 7, 8). Trageți coarda lent până când întâmpinați rezistență, apoi trageți rapid.



Retragerea rapidă a corzii demarorului (reculul) vă va trage mâna și brațul către motor mai repede decât puteți să îi dați drumul. Pot rezulta oase rupte/fracturi, vânătăi sau luxații. La pornirea motorului, trageți lent/încet coarda de pornire până când simțiți o rezistență, iar apoi trageți brusc pentru a evita reculul.

8. **Demaror electric, dacă este prevăzut:** Rotiți comutatorul demarorului electric (F, Figura 8) în poziția pornit sau start.

NOTIFICARE Pentru a prelungi durata de funcționare a demarorului, utilizați cicluri scurte de pornire (maxim cinci secunde). Așteptați un minut între ciclurile de pornire.

9. Pe măsură ce motorul se încălzește, mutați comanda șocului (C, Figura 7, 8) în poziția deschis.

Notă: Dacă motorul nu pornește după mai multe încercări, contactați dealerul local, accesați VanguardEngines.com sau apelați **1-800-999-9333** (în SUA).

Oprirea motorului



Combustibilul și vaporii săi sunt foarte inflamabili și explozivi.

Incendiul sau explozia se pot solda cu arsuri grave sau cu moartea.

- Nu înecați carburatorul pentru a opri motorul.
- Comutator de oprire, dacă este prevăzut:** Rotiți comutatorul de oprire (E, Figura 8) în poziția oprit.
Manetă pentru combustibil/aprindere, dacă este prevăzută: Deplasați maneta pentru combustibil/aprindere (A, Figura 7) în poziția oprit sau stop.
 - Demaror electric, dacă este prevăzut:** Scoateți cheia. Nu lăsați cheia la îndemâna copiilor.

Întreținerea

NOTIFICARE Dacă motorul este înclinat în timpul întreținerii, rezervorul de benzină, dacă este montat pe motor, trebuie să fie gol și partea cu bujia trebuie să fie în sus. Dacă rezervorul de benzină nu este gol și dacă motorul este înclinat în oricare altă direcție, este posibil ca motorul să pornească greu datorită contaminării cu ulei sau benzină a filtrului de aer și/sau a bujiei.



Dacă efectuați operațiuni de întreținere care necesită înclinarea utilajului, rezervorul de combustibil trebuie să fie gol. În caz contrar, combustibilul se poate scurge, provocând un incendiu sau o explozie.

Vă recomandăm să apelați la un distribuitor cu service autorizat Briggs & Stratton pentru toate operațiile de întreținere și reparare a motorului și a pieselor.

NOTIFICARE Toate componentele utilizate la realizarea acestui motor trebuie să fie prezente pentru ca motorul să funcționeze corect.



Producerea accidentală de scântei se poate solda cu incendii sau cu electrocutare.

Pornirea accidentală se poate solda cu agățare, amputare traumatică sau tăieturi.

Pericol de incendiu

Înainte de a efectua reglaje sau reparații:

- Deconectați fișa bujiei și țineți-o la distanță de bujie.
- Deconectați borna negativă a bateriei (numai la motoarele cu demaror electric).
- Utilizați numai unelte adecvate.
- Nu efectuați intervenții asupra clapetelor reglatoare, asupra articulațiilor sau asupra altor piese pentru a spori turația motorului.
- Piesele de schimb trebuie să fie identice și montate în aceeași poziție cu piesele originale. Este posibil ca alte piese să nu funcționeze la fel de bine, să deterioreze aparatul și să provoace vătămări corporale.
- Nu loviți volanta cu ciocanul sau cu obiecte grele. În caz contrar, volanta se poate dezmembra în timpul funcționării.

Atunci când testați scântea la bujii:

- Folosiți un tester aprobat.
- Nu verificați scântea cu bujia demontată.

Servisarea sistemului de control al emisiilor

Întreținerea, înlocuirea sau repararea dispozitivelor și sistemelor de control al emisiilor poate fi efectuată de orice firmă sau persoană specializată în repararea motoarelor nerutiere. Pentru a obține însă servisarea „fără taxă” a sistemelor de control al emisiilor, lucrarea trebuie efectuată de un dealer autorizat de producător. Consultați declarațiile privind controlul emisiilor.

Program de întreținere

Primele 5 ore
<ul style="list-style-type: none">Schimbați uleiul
La fiecare 8 ore sau zilnic
<ul style="list-style-type: none">Verificați nivelul uleiului de motorCurățați zona din jurul comenzilor și tobei de eșapamentCurățați grila de intrare a aerului
La fiecare 25 de ore sau anual
<ul style="list-style-type: none">Curățați filtrul de aer ¹Curățați prefiltrul ¹
La fiecare 50 de ore sau anual
<ul style="list-style-type: none">Schimbați uleiul de motorServisați sistemul de evacuare
La fiecare 100 de ore
<ul style="list-style-type: none">Schimbați uleiul reductorului (dacă este prevăzut)
Anual
<ul style="list-style-type: none">Înlocuiți bujiaÎnlocuiți filtrul de aerÎnlocuiți prefiltrulServisați sistemul de evacuareServisați sistemul de răcire ¹Verificați jocul supapei ²

¹ În medii prăfoase sau cu impurități în aer, curățați mai frecvent.

² Doar în cazul în care se observă probleme de funcționare a motorului.

Carburatorul și turația motorului

Nu reglați niciodată carburatorul sau turația motorului. Carburatorul a fost reglat din fabrică pentru a funcționa eficient în majoritatea condițiilor. Nu efectuați intervenții asupra clapetelor reglatoare, asupra articulațiilor sau asupra altor piese pentru a modifica turația motorului. Dacă sunt necesare reglaje, apelați la un dealer cu service autorizat Briggs & Stratton.

NOTIFICARE Producătorul echipamentului specifică turația maximă a motorului instalat pe echipament. **Nu depășiți** această turație. Dacă aveți dubii cu privire la turația maximă a echipamentului dvs. sau la turația reglată din fabrică, contactați un dealer cu service autorizat Briggs & Stratton pentru asistență. Pentru o funcționare sigură și corectă a echipamentului, turația motorului trebuie reglată numai de un tehnician de service calificat.

Servisarea bujiei

Vezi Figura 9

Verificați deschiderea (A, Figura 9) cu un calibr (B). Dacă este necesar, modificați deschiderea. Montați și strângeți bujia la cuplul recomandat Pentru informații despre deschiderea bujiei sau cuplu, consultați secțiunea **Specificații**.

Notă: În unele zone, legile locale impun utilizarea unei bujii cu rezistor pentru a suprima semnalele de aprindere. Dacă acest motor a fost echipat la origine cu o bujie cu rezistor, utilizați același tip de bujie pentru înlocuire.

Servisarea sistemului de evacuare



Funcționarea motorului produce căldură. Piese ale motorului, în special toba de eșapament, devin foarte fierbinți.

Se pot produce arsuri termice grave la contactul cu acestea.

Deșeurile combustibile, cum ar fi frunzele, iarba, ramurile etc. pot lua foc.

- Lăsați toba de eșapament, cilindrul și lamelele acestuia să se răcească înainte de a le atinge.
- Îndepărtați deșeurile inflamabile acumulate în zona tobei de eșapament și a cilindrului.
- Conform California Public Resource Code, secțiunea 4442, este interzisă utilizarea motorului în zone cu păduri, tufișuri sau iarbă fără a fi dotate cu un sistem de evacuare cu dispozitiv parascântei conform secțiunii 4442, aflat în bună stare de funcționare. Este posibil ca alte state să aibă legi similare. Contactați producătorul echipamentului original, comerciantul sau dealerul pentru a obține un dispozitiv parascântei destinat sistemului de evacuare instalat pe acest motor.

Îndepărtați materialele inflamabile acumulate în zona tobei de eșapament și a cilindrului. Verificați ca toba de eșapament să nu prezinte crăpături, coroziune sau alte probleme. Îndepărtați dispozitivul parascântei, dacă este prevăzut, și verificați să nu fie deteriorat sau să prezinte blocaje de carbon. Dacă depistați probleme, montați piese de schimb înainte de utilizare.



Piesele de schimb trebuie să fie identice și montate în aceeași poziție cu piesele originale. Este posibil ca alte piese să nu funcționeze la fel de bine, să deterioreze aparatul sau să provoace vătămări corporale.

Schimbarea uleiului de motor

Vezi Figura: 10, 11

Uleiul uzat este un deșeu periculos și trebuie să fie eliminat în mod corespunzător. Nu îl aruncați împreună cu deșeurile menajere. Consultați-vă cu autoritățile locale, centrul de service sau cu dealerul pentru care sunt posibilitățile de eliminare/reciclare sigure.

Scurgerea uleiului

1. Cu motorul oprit dar cald, deconectați fișa bujiei (D, Figura 10) și mențineți-o la distanță de bujie (E).
2. Scoateți joja (A, Figura 11).
3. Demontați bușonul de scurgere a uleiului (F, Figura 11). Goliți uleiul într-un recipient aprobat.

Notă: Motorul este prevăzut cu diverse bușoane de scurgere a uleiului (G, Figura 11).

4. După scurgerea uleiului, montați și strângeți bușonul de scurgere a uleiului (F, Figura 11).

Adăugarea uleiului

- Asigurați-vă că motorul este orizontal.
 - Curățați zona orificiului de alimentare cu ulei de orice fel de reziduuri.
 - Vezi secțiunea **Specificații** pentru detalii cu privire la capacitatea de ulei.
1. Scoateți joja (A, Figura 11) și ștergeți-o cu o cârpă curată.
 2. Turnați lent uleiul în orificiul de alimentare cu ulei (C, Figura 11). Umpleți la maxim.
 3. Montați joja (A, Figura 11). **Nu o rotiți și nu o strângeți.**
 4. Scoateți joja și verificați nivelul uleiului. Nivelul corect al uleiului este în partea superioară a indicatorului de umplere (B, Figura 11) de pe joja.
 5. Montați la loc și strângeți joja (A, Figura 11).
 6. Conectați fișa bujiei (D, Figura 10) la bujie (E).

Schimbați uleiul reductorului

Vezi Figura: 12, 13

Reductor 6:1 (Figura 12)

Dacă motorul este echipat cu un reductor 6:1, serviți-l după cum urmează:

1. Demontați bușonul de alimentare cu ulei (A, Figura 12) și bușonul pentru nivelul uleiului (B).
2. Demontați bușonul de scurgere a uleiului (C, Figura 12) și scurgeți uleiul într-un recipient adecvat.
3. Montați la loc și strângeți bușonul de scurgere a uleiului (C, Figura 12).
4. La alimentare, turnați lent uleiul (vezi secțiunea **Specificații**) în orificiul de alimentare cu ulei (D, Figura 12). Turnați până când uleiul se scurge prin orificiul pentru nivelul uleiului (E).
5. Montați la loc și strângeți bușonul pentru nivelul uleiului (B, Figura 12).
6. Montați la loc și strângeți bușonul de alimentare cu ulei (A, Figura 12).

Notă: Bușonul de alimentare cu ulei (A, Figura 12) are un orificiu de ventilare (F) și trebuie montat în partea superioară a capacului cutiei, conform ilustrației.

Reductor 2:1 (Figura 13)

Reductorul 2:1 (G, Figura 13) nu necesită schimbarea uleiului.

Servisarea filtrului de aer

Vezi Figura: 14, 15, 16



Combustibilul și vaporii săi sunt foarte inflamabili și explozivi.

Incendiul sau explozia se pot solda cu arsuri grave sau cu moartea.

- Nu porniți sau nu utilizați niciodată motorul având demontat ansamblul filtrului de aer (dacă este prevăzut) sau filtrul de aer (dacă este prevăzut).

NOTIFICARE Nu folosiți aer comprimat sau solvenți pentru a curăța filtrul. Aerul comprimat poate deteriora filtrul, iar solvenții îl vor dizolva.

Pentru informații despre întreținere, consultați **Tabelul de întreținere**.

Diferitele modele folosesc filtre din burete sau din hârtie. Unele modele sunt echipate și cu un filtru, care poate fi spălat și refolosit. Comparați ilustrațiile din acest manual cu tipul montat pe motorul dvs. și serviți-l în consecință.

Filtru de aer din burete

1. Desfaceți elementele de fixare (A, Figura 14).
2. Demontați capacul (B, Figura 14).
3. Demontați elementul de fixare (D, Figura 14) și șaiba (E).
4. Pentru a preveni căderea deșeurilor în carburator, demontați cu grijă elementul din burete (C, Figura 14) de pe baza filtrului de aer (G).
5. Demontați recipientul de susținere (F, Figura 14) de pe elementul din burete (C).
6. Spălați elementul din burete (C, Figura 14) în detergent lichid și apă. Stoarceți elementul din burete într-o cârpă curată.
7. Îmbibați elementul din burete (C, Figura 14) cu ulei curat de motor. Pentru a îndepărta surplusul de ulei de motor, stoarceți elementul din burete într-o cârpă curată.
8. Introduceți recipientul de susținere (F, Figura 14) în elementul din burete (C).
9. Montați elementul din burete (C, Figura 14) pe baza filtrului de aer (G) și pe tijă (H). Asigurați-vă că elementul din burete este montat corect pe baza filtrului de aer și fixați-l cu șaiba (E) și elementul de fixare (D).
10. Asamblați capacul (B, Figura 14) și fixați-l cu elementul/elementele de fixare (A). Asigurați-vă că elementele de fixare sunt bine strânse.

Filtru de aer din hârtie

1. Desfaceți elementele de fixare (A, Figura 15).
2. Demontați capacul (B, Figura 15).
3. Demontați elementul de fixare (E, Figura 15).
4. Pentru a preveni căderea deșeurilor în carburator, demontați cu grijă prefiltrul (D, Figura 15), dacă este prevăzut, și filtrul (C) de pe baza filtrului de aer (F).
5. Pentru a face să cadă depunerile/reziduurile, bateți ușor filtrul (C, Figura 15) pe o suprafață tare. Dacă filtrul este excesiv de murdar, înlocuiți-l cu unul nou.
6. Demontați prefiltrul (D, Figura 15), dacă este prevăzut, de pe filtrul (C).
7. Spălați prefiltrul (D, Figura 15) în detergent lichid și apă. Lăsați prefiltrul să se usuce complet la aer. **Nu ungeți prefiltrul cu ulei.**

- Montați prefiltrul uscat (D, Figura 15), dacă este prevăzut, pe filtru (C).
- Montați șaiba cu garnitură (H, Figura 15), filtrul (C) și prefiltrul (D), dacă este prevăzut, pe baza filtrului de aer (F) și pe tijă (G). Asigurați-vă că filtrul este montat corect pe baza filtrului de aer și fixați-l cu elementul de fixare (D).
- Montați capacul (B, Figura 15) și fixați-l cu elementele de fixare (A). Asigurați-vă că elementele de fixare sunt bine strânse.

Filtru de aer din hârtie

- Desfaceți elementele de fixare (D, Figura 16).
- Demontați capacul (A, Figura 16).
- Demontați prefiltrul (C, Figura 16), dacă este prevăzut, și filtrul (B).
- Pentru a face să cadă depunerile/reziduurile, bateți ușor filtrul (B, Figura 16) pe o suprafață tare. Dacă filtrul este excesiv de murdar, înlocuiți-l cu unul nou.
- Spălați prefiltrul (C, Figura 16), dacă este prevăzut, în detergent lichid și apă. Lăsați prefiltrul să se usuce complet la aer. **Nu ungeți prefiltrul cu ulei.**
- Montați prefiltrul uscat (C, Figura 16), dacă este prevăzut, și filtrul (B).
- Montați capacul (A, Figura 16) și fixați-l cu elementele de fixare (D). Asigurați-vă că elementele de fixare sunt bine strânse.

Servisarea sistemului de alimentare cu combustibil

Vezi Figura 17, 18



Combustibilul și vaporii săi sunt foarte inflamabili și explozivi.

Incendiul sau explozia se pot solda cu arsuri grave sau cu moartea.

- Țineți benzina la distanță de scântei, flăcări deschise, arzătoare pilot, flăcări de veghe, căldură sau alte surse de aprindere.
- Verificați frecvent furtunurile/conductele de benzină, rezervorul, bușonul și fittingurile dacă prezintă fisuri sau scurgeri. Înlocuiți-le dacă este necesar.
- Înainte de a curăța sau înlocui filtrul de combustibil, scurgeți combustibilul din rezervor sau închideți robinetul de oprire a combustibilului.
- Dacă au loc scurgeri de benzină, așteptați până când acestea se evaporă și numai după aceea porniți motorul.
- Piese de schimb trebuie să fie identice și să fie instalate în aceeași poziție ca piesele originale.

Servisarea sistemului de alimentare cu combustibil

- Înainte de a curăța sau înlocui filtrul de combustibil (A, Figura 17), scurgeți combustibilul din rezervor sau închideți robinetul de oprire a combustibilului. În caz contrar, combustibilul se poate scurge și provoca un incendiu sau o explozie.
- Folosiți un clește pentru a strânge lamelele (B, Figura 17) pe cleme (C), apoi glisați clemele distanțându-le de filtrul de combustibil (A). Răsuciți și extrageți conductele de combustibil (D) de pe filtrul de combustibil.
- Verificați dacă conductele de combustibil (D, Figura 17) nu sunt crăpate și nu au scurgeri. Înlocuiți-le dacă este necesar.
- Înlocuiți filtrul de combustibil (A, Figura 17) cu un filtru nou original.
- Fixați conductele de combustibil (D, Figura 17) cu cleme (C) conform figurii.

Sită de combustibil, dacă este prevăzută

- Scoateți bușonul de combustibil (A, Figura 18).
- Scoateți sita de combustibil (B, Figura 18).
- Dacă sita de combustibil este murdară, curățați-o sau înlocuiți-o. Dacă înlocuiți sita de combustibil, asigurați-vă că utilizați o sită de schimb originală.

Servisarea sistemului de răcire



Funcționarea motorului produce căldură. Piese ale motorului, în special toba de eșapament, devin foarte fierbinți.

Se pot produce arsuri termice grave la contactul cu acestea.

Deșeurile combustibile, cum ar fi frunzele, iarba, ramurile etc. pot lua foc.

- Lăsați toba de eșapament, cilindrul și aripile acestuia să se răcească înainte de a le atinge.
- Îndepărtați deșeurile inflamabile acumulate în zona tobei de eșapament și a cilindrului.

NOTIFICARE Nu curățați motorul cu apă. Apa poate contamina sistemul de alimentare cu combustibil. Folosiți o perie sau o cârpă curată pentru a curăța motorul.

Acest motor este răcit cu aer. Murdăria sau reziduurile pot restricționa fluxul de aer și provoca supraîncălzirea motorului, având ca rezultat scăderea performanțelor și reducerea duratei de funcționare a motorului.

- Folosiți o perie sau o cârpă uscată pentru a îndepărta reziduurile de pe grila de intrare a aerului.
- Menționeți curate articulațiile, arcurile și comenzile.
- Nu permiteți acumularea de deșeuri inflamabile în zona din jurul și din spatele tobei de eșapament.
- Verificați dacă lamelele radiatorului pentru ulei nu conțin murdărie și reziduuri.

După un timp, reziduurile se pot acumula în lamelele de răcire ale cilindrului și pot provoca supraîncălzirea motorului. Aceste reziduuri nu pot fi îndepărtate fără dezamblarea parțială a motorului. Apelați la un agent autorizat Briggs & Stratton pentru inspecția și curățarea sistemului de răcire cu aer conform recomandărilor din **Programul de întreținere**.

Depozitarea



Combustibilul și vaporii săi sunt foarte inflamabili și explozivi.

Incendiul sau explozia pot cauza arsuri grave sau deces.

Atunci când depozitați combustibil sau echipamente cu combustibil în rezervor

- Depozitați-le la distanță de cuptoare, sobe, boilere sau alte echipamente care au flacără de veghe sau altă sursă de aprindere, deoarece acestea ar putea aprinde vaporii de combustibil.

Sistemul de alimentare cu combustibil

Consultați figura: 19

Depozitați motorul în poziție orizontală (poziția normală de lucru). Umpleți rezervorul de combustibil (A, Figura 19) cu combustibil. Pentru a permite dilatarea combustibilului, nu umpleți până deasupra gâtului rezervorului de combustibil (B).

Combustibilul se poate învechi dacă este depozitat mai mult de 30 zile. Combustibilul vechi determină formarea de acid și depuneri de gume în sistemul de alimentare sau pe piese esențiale ale carburatorului. Pentru a menține combustibilul proaspăt, utilizați **Tratamentul și stabilizatorul de combustibil cu formulă avansată Briggs & Stratton**, disponibil oriunde se vând piese de schimb autentice Briggs & Stratton.

Nu este nevoie să goliți benzina din motor dacă stabilizatorul de combustibil a fost adăugat în conformitate cu instrucțiunile. Lăsați motorul să funcționeze două (2) minute pentru ca stabilizatorul să circule prin tot sistemul de alimentare cu combustibil înainte de depozitare.

Dacă benzina din motor nu a fost tratată cu stabilizator de combustibil, ea trebuie să fie scursă într-un recipient aprobat. Lăsați motorul să funcționeze până când se oprește din lipsă de combustibil. Se recomandă folosirea stabilizatorului de combustibil în recipientul de depozitare pentru menținerea prospețimii combustibilului.

Ulei de motor

Schimbați uleiul cât timp motorul este cald. Consultați secțiunea **Schimbarea uleiului de motor**.

Remediarea defecțiunilor

Pentru asistență, contactați dealerul local, accesați **VanguardEngines.com** sau apelați **1-800-999-9333** (în SUA).

Specificații

Model: 130000	
Capacitate cilindrică	12.48 ci (205 cc)
Alezaj	2.688 in (68,28 mm)
Cursă	2.200 in (55,88 mm)

Model: 130000	
Capacitate ulei	20 - 22 oz (,59 - ,65 L)
Tip ulei reductor	80W-90
Capacitate ulei reductor	4 oz (,12 L)
Distanță electrozi bujie	.030 in (,76 mm)
Cuplu bujie	180 lb-in (20 Nm)
Distanță electrozi rotor	.010 - .014 in (,25 - ,36 mm)
Joc supapă de admisie	.004 - .006 in (,10 - ,15 mm)
Joc supapă de evacuare	.009 - .011 in (,23 - ,28 mm)

Model: 190000	
Capacitate cilindrică	18.63 ci (305 cc)
Alezaj	3.120 in (79,24 mm)
Cursă	2.438 in (61,93 mm)
Capacitate ulei	26 - 28 oz (,77 - ,83 L)
Tip ulei reductor	SAE 30
Capacitate ulei reductor	12 oz (,35 L)
Distanță electrozi bujie	.030 in (,76 mm)
Cuplu bujie	180 lb-in (20 Nm)
Distanță electrozi rotor	.010 - .014 in (,25 - ,36 mm)
Joc supapă de admisie	.004 - .006 in (,10 - ,15 mm)
Joc supapă de evacuare	.004 - .006 in (,10 - ,15 mm)

Puterea motorului va scădea cu 3,5% la fiecare 1.000 de picioare (300 de metri) deasupra nivelului mării și cu 1% la fiecare 10° F (5,6° C) peste 77° F (25° C). Motorul va opera satisfăcător la un unghi de până la 15°. Consultați manualul de utilizare al echipamentului pentru limitările de siguranță privind utilizarea în pantă.

Componente service - Model: 130000, 190000	
Componentă service	Piesa numărul
Filtru de aer din burete (Model 130000, Figura 14)	797378
Filtru de aer din hârtie (Model 130000, Figura 15)	797033
Prefiltru (Model 130000, Figura 15)	798513
Filtru de aer din hârtie (Model 190000, Figura 15)	797032
Prefiltru (Model 190000, Figura 15)	798795
Filtru de aer din hârtie (Figura 16)	474279
Prefiltru (Figura 16)	491435S
Advanced Formula Fuel Treatment & Stabilizer	100117, 100120
Bujie cu rezistor	491055
Cheie pentru bujii	19576, 5402
Tester de bujii	19368

Vă recomandăm să apelați la un distribuitor cu service autorizat Briggs & Stratton pentru toate operațiile de întreținere și reparare a motorului și a pieselor.

Puterea nominală: Puterea nominală brută aferentă modelelor individuale de motoare pe benzină este etichetată în conformitate cu SAE (Society of Automotive Engineers - Societatea inginerilor auto), cod J1940, Procedura de evaluare a puterii și cuplului motoarelor mici, și este evaluată în conformitate cu SAE J1995. Valorile cuplului sunt stabilite la 2.600 rot./min. pentru motoarele cu turația indicată pe etichetă și la 3.060 rot./min. pentru toate celelalte; valorile exprimate în cai putere sunt stabilite la 3.600 rot./min. Curbele de variație a puterii brute pot fi văzute la www.BRIGGSandSTRATTON.COM. Valorile puterii nete sunt determinate cu echipamentul și filtrul de aer montate, în timp ce valorile puterii brute sunt determinate fără aceste accesorii. Puterea brută efectivă a motorului va fi mai mare decât puterea netă a motorului și este afectată, printre altele, de condițiile de funcționare din mediul ambiant și de variabilitatea specifică motorului respectiv. Dat fiind faptul că motoarele sunt montate pe o varietate largă de produse, motorul pe benzină poate să nu dezvolte puterea brută nominală atunci când este utilizat pe un anumit echipament. Această diferență se datorează unei multitudini de factori incluzând, dar fără a fi limitată la, varietatea de componente ale motorului (filtru de aer, echipament, sarcină, răcire, carburator, pompă de benzină etc.), limitările aplicației, mediul de funcționare (temperatură, umiditate, altitudine), precum și variațiile între motoare. Datorită limitărilor de capacitate și de producție, Briggs & Stratton poate înlocui acest motor cu unul de putere nominală mai mare.

Garanție

Garanția motorului Briggs & Stratton

Valabilă din ianuarie 2017

Garanție limitată

Briggs & Stratton garantează că, în perioada de garanție specificată mai jos, va repara sau va înlocui în mod gratuit orice componente cu defecte de material, de manoperă sau ambele. Cheltuielile de transport pentru piesele trimise pentru a fi reparate sau înlocuite conform cu această garanție trebuie suportate de către cumpărător. Această garanție este valabilă pentru perioadele de timp și în condițiile menționate mai jos. Pentru a beneficia de service conform garanției, localizați cel mai apropiat dealer autorizat pentru service folosind harta cu localizarea dealerilor de pe BRIGGSandSTRATTON.COM. Cumpărătorul trebuie să contacteze dealerul autorizat pentru service și trebuie să îi pună acestuia la dispoziție produsul pentru inspecție și testare.

Nu există alte garanții explicite. Garanțiile implicite, inclusiv cele de vandabilitate sau adecvare pentru un anumit scop, sunt limitate la perioada de garanție menționată mai jos sau în măsura permisă de lege. Responsabilitatea pentru daunele accidentale sau rezultate pe cale de consecință este exclusă în măsura în care legea permite această excludere. Unele state sau țări nu permit limitarea duratei de valabilitate a unei garanții implicite, iar unele state sau țări nu permit excluderea sau limitarea daunelor accidentale sau rezultate pe cale de consecință, astfel încât este posibil ca limitările și excluderile mai sus menționate să nu se aplice în cazul dumneavoastră. Această garanție vă conferă anumite drepturi legale, iar în plus puteți beneficia și de alte drepturi legale, care diferă de la o țară la alta și de la un stat la altul ⁴.

Termenii standard ai garanției 1, 2, 3

Marcă/Denumire produs	Utilizare personală	Utilizare comercială
Vanguard™; Seria comercială	36 de luni	36 de luni
Motoare cu cilindri din fontă Dura-Bore™	24 de luni	12 luni
Toate celelalte motoare	24 de luni	3 luni

¹ Aceștia sunt termenii noștri standard de garanție, însă este posibil să publicăm ocazional termeni de garanție suplimentari, care nu existau la data publicării. Pentru a obține termenii de garanție actualizați, accesați BRIGGSandSTRATTON.COM sau contactați un dealer autorizat pentru service Briggs & Stratton.

² Nu se acordă garanție pentru motoarele echipamentelor folosite ca sursă de energie principală în locul unei utilități sau pentru generatoarele de rezervă folosite în scopuri comerciale. Motoarele folosite în competiții sau în scopuri comerciale sau de închiriere nu beneficiază de garanție.

³ Vanguard montate pe generatoare de rezervă: 24 de luni pentru uz personal, fără garanție pentru uz comercial. Vanguard montat pe vehicule utilitare: 24 de luni pentru uz personal, 24 de luni pentru uz comercial. Seriiile comerciale cu data de fabricație anterioară lunii iulie 2017, 24 de luni pentru uz personal, 24 de luni pentru uz comercial.

⁴ În Australia - Produsele noastre sunt livrate cu garanții care nu pot fi excluse în temeiul Legii australiene referitoare la consumatori. Aveți dreptul la înlocuire sau rambursări în cazul unei defecțiuni majore și la compensări în cazul oricărui altor daune sau deteriorări previzibile în mod rezonabil. De asemenea, aveți dreptul la reparații sau înlocuiri ale produselor dacă acestea nu sunt de calitate acceptabilă și dacă defecțiunea nu este una majoră. Pentru a beneficia de service conform garanției, localizați cel mai apropiat dealer autorizat pentru service folosind harta cu localizarea dealerilor de pe BRIGGSandSTRATTON.COM, apelând 1300 274 447 sau contactându-ne prin e-mail ori în scris la salesenquires@briggsandstratton.com.au, Briggs & Stratton Australia Pty Ltd, 1 Moorebank Avenue, NSW, Australia, 2170.

Perioada de garanție începe la data inițială a cumpărării de către primul consumator persoană fizică sau juridică. „Utilizare personală” înseamnă utilizare rezidențială de către un consumator particular. „Utilizare comercială” înseamnă toate celelalte utilizări, inclusiv utilizarea în scopuri comerciale, aducătoare de venituri sau chirie. În cadrul acestei polițe de garanție, un motor, odată ce a fost utilizat comercial este considerat ca fiind de uz comercial și pentru viitor.

Păstrați documentul care dovedește achiziția. Dacă nu prezentați dovada datei achiziției inițiale în momentul în care solicitați service în baza garanției, pentru a determina eligibilitatea la garanție va fi folosită data de fabricație a produsului. Înregistrarea produsului nu este obligatorie pentru obținerea de service în baza garanției la produsele Briggs & Stratton.

Despre garanție

Această garanție acoperă exclusiv defectele de material și/sau de manoperă ale motorului și nu implică înlocuirea sau rambursarea costului echipamentului pe care a fost montat motorul. Întreținerea de rutină, reglajele, ajustările sau uzura normală nu sunt acoperite de această garanție. În mod similar, garanția nu este valabilă dacă motorul a fost modificat sau dacă numărul de serie al motorului a fost deteriorat sau îndepărtat. Această garanție nu acoperă deteriorările motorului sau problemele de performanță cauzate de:

1. folosirea altor piese decât piesele originale Briggs & Stratton;

2. funcționarea motorului cu ulei insuficient, contaminat sau cu caracteristici inadecvate;
3. folosirea de combustibil contaminat sau vechi, benzină cu peste 10% etanol sau folosirea de combustibili alternativi precum GPL pe motoare care nu au fost proiectate/produse de Briggs & Stratton pentru a funcționa cu astfel de combustibili;
4. murdăria intrată în motor din cauza întreținerii sau reasamblării incorecte a filtrului de aer;
5. lovirea unui obiect cu lama cuțitului unei mașini cu cuțite rotative de tuns gazonul, montarea incorectă sau fără strângere adecvată a adaptoarelor cuțitelor, rotoarelor sau altor dispozitive montate pe arborele cotit, sau strângerea excesivă a curelei trapezoidale;
6. piese sau ansamble asociate care nu sunt furnizate de Briggs & Stratton, precum ambreiaje, transmisii, comenzi ale echipamentului;
7. supraîncălzirea din cauza ierbii tăiate, noroiului, reziduurilor sau cuiburilor de rozătoare care astupă sau înfundă lamelele de răcire sau zona volantei, sau folosirea motorului fără ventilare suficientă;
8. vibrarea excesivă din cauza supraturării, fixării incorecte a motorului, cuțitelor sau rotoarelor desfăcute sau dezechilibrate, sau cuplării incorecte a componentelor echipamentului pe arborele cotit;
9. folosirea greșită, lipsa întreținerii periodice, transport, manipulare sau depozitare, instalare incorectă a motorului.

Service-ul în baza garanției este disponibil doar prin intermediul dealerilor autorizați pentru service Briggs & Stratton. Localizați cel mai apropiat dealer de service autorizat folosind harta de localizare a dealerilor de pe BRIGGSandSTRATTON.COM sau apelând 1-800-233-3723 (în SUA).

80004537 (Rev. C)

Not for
Reproduction

В настоящем руководстве содержится информация по безопасности, которая призвана обратить Ваше внимание на опасности и риски, связанные с работой двигателей, а так же, как избежать их. Руководство также содержит инструкции по надлежащей эксплуатации двигателя и по уходу за ним. Поскольку компания Briggs & Stratton может не знать, какое оборудование будет приводить в движение данный двигатель, важно, чтобы Вы прочли и поняли эти инструкции, а также инструкции на оборудование, имеющего привод от данного двигателя. **Сохраните эти оригинальные инструкции для последующих справок.**

Примечание: Рисунки и иллюстрации в настоящем руководстве представлены только для справки и могут отличаться от конкретной модели. Если у вас возникли вопросы, обратитесь к своему дилеру.

Для получения запасных частей или технического содействия запишите модель, тип и номер кода вашего двигателя, а также дату покупки. Эти номера обозначены на Вашем двигателе (смотрите раздел **Конструктивные узлы и органы управления**).

Дата приобретения	
Модель двигателя - Тип - Исполнение	
Серийный номер машины	

Смотрите двумерный штриховой код, имеющийся на некоторых двигателях. При просмотре с помощью 2D-совместимого устройства, код будет отправлен на наш Web-сайт, где Вы сможете получить доступ к информации поддержки для данного изделия. Применима скорость передачи данных. В некоторых странах может быть недоступна поддержка через интернет.



Информация по вторичной переработке

		Все упаковочные материалы, отработанное масло и аккумуляторные батареи должны быть отправлены на вторичную переработку в соответствии с применимыми нормативными актами.
--	--	--

Безопасность оператора

Предупредительные знаки опасности и слова

Предупреждающий символ по технике безопасности используется для обозначения информации по технике безопасности касательно опасностей, которые могут привести к травмированию персонала. Вместе с предупреждающим символом используется сигнальное слово (ОПАСНО, ПРЕДУПРЕЖДЕНИЕ или ОСТОРОЖНО), чтобы обозначить вероятность или потенциальную тяжесть травмы. В дополнение к этому, может использоваться символ опасности, чтобы обозначить тип опасности.

ОПАСНО указывает на опасную ситуацию, которая, если ее не избежать, приведет к смертельному исходу или получению серьезной травмы.

ПРЕДУПРЕЖДЕНИЕ указывает на опасную ситуацию, которая, если ее не избежать, может привести к смертельному исходу или получению серьезной травмы.

ОСТОРОЖНО указывает на опасную ситуацию, которая, если ее не избежать, может привести к получению травмы малой или средней тяжести.

ВНИМАНИЕ указывает на ситуацию, которая может привести к повреждению изделия.

Знаки опасности и пояснения к ним

Знак	Значение	Знак	Значение
	Информация об опасности получения травм.		Перед эксплуатацией и обслуживанием данного изделия внимательно прочтите руководство по эксплуатации.
	Риск возникновения пожара		Опасность взрыва
	Опасность поражения электрическим током.		Опасность поражения ядовитым газом
	Горячая поверхность		Опасность шума - Рекомендуется средство защиты органов слуха при длительной эксплуатации.
	Опасность выброса предметов - Ношение средства защиты для глаз.		Опасность взрыва
	Опасность обморожения		Опасность обратного хода
	Опасность ампутации - движущиеся части		Опасность поражения химическими веществами
	Опасность получения ожогов		Едкое вещество

Общие положения о безопасности

ОСТОРОЖНО

Определенные компоненты этого устройства и соответствующие дополнительные приспособления содержат химические элементы, признанные в штате Калифорния как вызывающие рак, врожденные пороки развития, а также оказывающие иные негативные воздействия на репродуктивную систему человека. Мойте руки после работы с ними.

ОСТОРОЖНО

Выхлопные газы двигателя этого устройства содержат химические элементы, признанные в штате Калифорния как вызывающие рак, врожденные пороки развития, а также оказывающие иные негативные воздействия на репродуктивную систему человека.

ОСТОРОЖНО

Двигатели Briggs & Stratton не предназначены и не должны использоваться для привода: развлекательных и спортивных картов, детских, развлекательных или вездеходных транспортных средств, мотоциклов, транспортных средств на воздушной подушке, летательных аппаратов или транспортных средств для соревнований без получения разрешения компании Briggs & Stratton. Для получения информации о продукции для спортивных состязаний посетите сайт www.briggsracing.com. Для получения информации об использовании мотовездеходов обратитесь в Центр по применению двигателей Briggs & Stratton по тел. 1-866-927-3349. Ненадлежащее применение двигателя может стать причиной тяжелой травмы или смерти.



Топливо и его пары легко воспламеняются и взрывоопасны.

Воспламенение или взрыв могут привести к тяжелым ожогам или смертельному исходу.

При доливе топлива

- Заглушите двигатель, дайте ему как минимум 2 минуты, чтобы остыть, и только после этого снимите крышку топливного бака.
- Заполнение топливного бака следует осуществлять за пределами помещения или в хорошо вентилируемом помещении.
- Не следует переполнять топливный бак. Чтобы учесть тепловое расширение топлива, не заполняйте топливный бак выше нижней части горловины.
- Храните топливо вдали от источников искр, открытого огня, зажженных горелок и других источников возгорания.
- Регулярно проверяйте топливные трубки, бак, крышку и патрубки на наличие трещин и протеканий. При необходимости заменяйте.
- В случае пролива топлива, подождите, пока оно испарится, и только после этого запускайте двигатель.

При запуске двигателя

- Убедитесь, что кабель свечи зажигания, глушитель, крышка топливного бака и воздушный фильтр (если таковые имеются) находятся на своих местах и надежно закреплены.
- Не заводите двигатель при снятой свече зажигания.
- В случае перелива топлива в карбюраторе двигателя, установите воздушную заслонку (если имеется) в положение OPEN (Открыто)/RUN (Работа), переместите рычаг управления дросселем (если имеется) в положение FAST (Быстро) и заводите двигатель, пока он не запустится.

При эксплуатации оборудования

- Не наклоняйте двигатель или оборудование на угол, при котором может пролиться топливо.
- Запрещается закрывать воздушную заслонку карбюратора, чтобы остановить двигатель.
- Никогда не запускайте и не эксплуатируйте двигатель без установленного узла воздухоочистителя (если имеется) или воздушного фильтра (если имеется).

При смене масла

- Если вы сливаете масло через верхний маслосливной патрубок, топливный бак должен быть пустым, иначе топливо может протечь и вызвать воспламенение или взрыв.

При наклоне агрегата для выполнения техобслуживания

- Если для выполнения техобслуживания требуется наклонить агрегат, необходимо опорожнить топливный бак, если он установлен на двигатель. В противном случае топливо может разлиться и вызвать пожар или взрыв.

При транспортировке оборудования

- Транспортировку следует осуществлять с ПУСТЫМ топливным баком или с краником подачи топлива в положении CLOSED (Закрото).

При хранении топлива или оборудования с топливом в баке

- Храните топливо и оборудование вдали от котлов, печей, водонагревателей и прочих приборов, в которых используются горелки или иные источники воспламенения, поскольку это может привести к воспламенению паров топлива.



При запуске двигателя происходит искрение.

Искрение может привести к возгоранию находящихся поблизости воспламеняемых газов.

В результате возгорания может произойти пожар или взрыв.

- Если поблизости произошла утечка природного или сжиженного газа, не запускайте двигатель.
- Не используйте находящиеся под давлением пусковые жидкости, поскольку их испарения легко воспламеняются.



ОПАСНОСТЬ ОТРАВЛЕНИЯ ЯДОВИТЫМИ ГАЗАМИ! Выхлопные газы содержат оксид углерода — ядовитый газ, который может убить за минуты. Этот газ НЕВОЗМОЖНО увидеть или почувствовать; он не имеет запаха. Даже если вы не чувствуете запаха выхлопных газов, вы все равно можете быть подвержены действию угарного газа. Если во время эксплуатации данного изделия вас начинает тошнить или вы начинаете испытывать головокружение или слабость, выключите его и **НЕМЕДЛЕННО** выйдите на свежий воздух. Обратитесь к врачу. Возможно, вы отравились угарным газом.

- Эксплуатируйте данное изделие ТОЛЬКО вне помещений и вдали от окон, дверей и вентиляционных отверстий, чтобы сократить риск накопления угарного газа и втягивания его в жилые помещения.
- В соответствии с указаниями производителя в помещениях следует установить и содержать в исправном состоянии датчики окиси углерода, работающие от батарей, или от сети с аварийным аккумуляторным источником питания. Аварийные датчики дыма не улавливают газ окиси углерода.
- НЕ ЗАПУСКАЙТЕ данное оборудование в домах, гаражах, подвалах, туннелях, сараях и других частично замкнутых пространствах, даже если при этом используются вентиляторы или открыты окна и двери для вентиляции. В этих местах угарный газ может быстро накапливаться и надолго задерживаться, даже после выключения оборудования.
- ВСЕГДА устанавливайте этот датчик с подветренной стороны и направляйте поток выхлопных газов двигателя в сторону от мест пребывания людей.



Быстрое втягивание пускового троса (обратный ход) может притянуть вашу кисть или руку к двигателю до того, как вы успеете отпустить его.

Это может привести к переломам, ушибам и вывихам.

- При запуске двигателя медленно потяните за пусковой трос, пока не почувствуете сопротивление, а затем дерните, чтобы избежать обратного хода троса.
- Перед запуском двигателя отключите все внешние нагрузки оборудования/двигателя.
- Элементы оборудования, которые непосредственно подсоединены к двигателю, например, среди прочего, ножи, крыльчатки, шкивы, звездочки и т. п., должны быть надежно закреплены.



Вращающиеся детали могут захватить и затянуть руки, ноги, волосы, одежду или аксессуары.

Это может привести к травматической ампутации или тяжелым рваным ранам.

- Не эксплуатируйте оборудование без предусмотренных защитных приспособлений.
- Берегите руки и ноги от вращающихся элементов.
- Уберите длинные волосы и снимите ювелирные украшения.
- Не носите свободную одежду, болтающиеся шарниры или предметы, которые могут быть захвачены движущимися деталями.



Работающий двигатель нагревается. Детали двигателя, особенно глушитель, нагреваются до очень высокой температуры.

При контакте с ними можно получить ожоги высокой степени.

Воспламеняемый мусор, например листья, трава, сухая поросль и т.д. могут загореться.

- Прежде чем прикасаться, дайте время глушителю, цилиндрам двигателя и ребрам радиатора остыть.
- Удалите накопившийся воспламеняемый мусор с участков вблизи глушителя и цилиндра.
- Использование или эксплуатация двигателя на территории, покрытой лесом, кустарниками или травой, без оснащения системы выхлопных газов

искрогасителем и поддержки его в рабочем состоянии, является нарушением норматива Public Resource Code, раздел 4442, штата Калифорния. В других штатах или федеральных юрисдикциях также могут действовать подобные законы. Для приобретения искрогасителя, рассчитанного на выхлопную систему, которая установлена на двигателе, обратитесь к производителю оригинального оборудования, розничному продавцу или дилеру.



ОСТОРОЖНО

Случайное образование искры может привести к пожару или поражению электрическим током.

Случайный запуск может привести к захватыванию, травматической ампутации различных частей тела или к образованию рваных ран.

Опасность возгорания

Перед проведением регулировки или ремонта:

- Отсоедините провод от свечи зажигания и отведите его от свечи.
- Отсоедините кабель от отрицательной клеммы аккумулятора (только для двигателей с электростартером).
- Используйте только подходящие инструменты.
- Не меняйте настройку пружины, тяг и других деталей регулятора для увеличения частоты вращения вала двигателя.
- Запасные детали должны быть такой же конструкции и устанавливаться на то же самое место, что и первоначальные детали. Использование неоригинальных запасных частей может стать причиной ухудшения работы, повреждения оборудования и травмирования людей.
- Запрещается наносить удары по маховику молотком или твердым предметом, поскольку позже маховик может разрушиться во время эксплуатации двигателя.

Проверка на искру:

- Используйте подходящий прибор для проверки свечей зажигания.
- Не проверяйте наличие искры при снятой свече зажигания.

Конструктивные узлы и органы управления

Органы управления двигателем

Сравните изображение (Рисунок: 1, 2, 3, 4) со своим двигателем, чтобы ознакомиться с расположением различных конструктивных узлов и органов управления.

- A. Идентификационные номера двигателя **Модель - Тип - Код**
- B. Свеча зажигания
- C. Топливный бачок и крышка
- D. Воздушный фильтр
- E. Рукоятка пускового троса
- F. Маслосливное отверстие и стержневой указатель уровня
- G. Маслосливная пробка
- H. Глушитель, ограждение глушителя (если имеется), искрогаситель (если имеется)
- I. Орган управления воздушной заслонкой
- J. Механизм управления дросселем (если имеется)
- K. TransportGuard™ - Краник подачи топлива и ключ зажигания
- L. Решетка воздухозаборного отверстия
- M. Узел зубчатого редуктора (если имеется)
- N. Выключатель останова (если имеется)
- O. Ключ выключателя электрического стартера, если имеется ¹

¹ Некоторые двигатели и оборудование имеют органы дистанционного управления. Касательно расположения и работы органов дистанционного управления, смотрите руководство по эксплуатации оборудования.

Знаки управления двигателем и пояснения к ним

Знак	Значение	Знак	Значение
	ВЫСОКИЕ обороты двигателя		НИЗКИЕ обороты двигателя
	Двигатель — ОСТАНОВ		Вкл. — Выкл.
	Запуск двигателя — Дроссельная заслонка ЗАКРЫТА		Запуск двигателя — Дроссельная заслонка ОТКРЫТА
	Крышка топливного бака Кран подачи топлива — ОТКРЫТ		Кран подачи топлива — ЗАКРЫТ
	Уровень топлива — Максимум Не допускайте переполнения		

Работа

Рекомендации по использованию масла

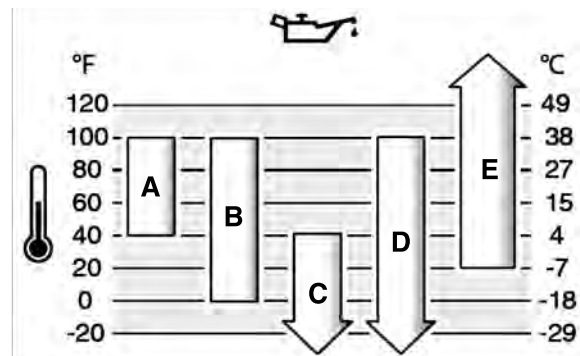
Количество масла: Смотрите раздел *Технические данные*.

ПРИМЕЧАНИЕ

Данный двигатель поставляется компанией Briggs & Stratton без масла. Производители оборудования или дилеры могут залить масло в двигатель. Перед первым запуском двигателя обязательно проверьте уровень масла и долейте масло в соответствии с инструкциями в данном руководстве. Гарантия не покрывает поломку двигателя, вызванную его запуском без масла.

Для обеспечения оптимальных эксплуатационных характеристик рекомендуется использовать сертифицированные компанией Briggs & Stratton масла. Допускается использование других высококачественных детергентных масел, если они классифицированы по категории SF, SG, SH, SJ или выше. Не используйте специальных присадок.

Температура окружающей среды определяет соответствующую вязкость моторного масла. Воспользуйтесь таблицей, чтобы выбрать наиболее подходящую вязкость масла для ожидаемого диапазона температур. Для большинства двигателей силового оборудования, используемого на открытом воздухе, хорошо подходит синтетическое масло 5W-30. Наиболее эффективную защиту оборудования, эксплуатируемого при высоких температурах, обеспечивает синтетическое масло Vanguard™ 15W-50.



A	SAE 30 — Использование масла SAE 30 при температуре ниже 4°C может привести к проблемам при запуске.
B	10W-30 - Использование масла 10W-30 при температуре выше 27°C может привести к повышенному расходу масла. Чаще проверяйте уровень масла.

C	5W-30
D	Синтетическое 5W-30
E	Синтетическое Vanguard™ 15W-50

Проверить уровень масла.

Смотрите рисунок: 5

Перед доливом или проверкой уровня масла

- Проверьте, что двигатель установлен горизонтально.
 - Очистите область заливки масла от загрязнений.
1. Выньте масляной щуп (А, Рис. 5) и вытрите его чистой тряпкой.
 2. Вставьте масляной щуп (А, Рис. 5). **Не проворачивать или не затягивать.**
 3. Выньте щуп и проверьте уровень масла. Правильный уровень масла отмечен на верхней части индикатора заполнения (В, Рис. 5) на масляном щупе.
 4. Если уровень масла является низким, то медленно долейте масло в маслозаливную горловину (С, Рис. 5). Заполняйте до точки переполнения.
 5. Установите обратно и затяните масляный щуп (А, Рис. 5).

Система защиты от низкого уровня масла (если имеется)

Некоторые двигатели оснащены датчиком низкого уровня масла. Если уровень масла является низким, то датчик, либо активирует сигнальную лампочку, либо останавливает работу двигателя. Остановите работу двигателя и выполните эти действия, прежде чем перезапустить двигатель.

- Проверьте, что двигатель установлен горизонтально.
- Проверьте уровень масла. Смотрите раздел **Проверка уровня масла**.
- Если уровень масла является низким, то долейте необходимое количество масла. Запустите двигатель и убедитесь, что сигнальная лампочка (если имеется) не активирована.
- Если уровень масла не является низким, то запускайте двигатель. За информацией о решении проблемы с маслом обратитесь к официальному дилеру компании Briggs & Stratton.

Рекомендации по топливу

Топливо должно отвечать следующим требованиям:

- Чистый, свежий, неэтилированный бензин.
- Октановое число не менее 87 (91 ДЮЧ). При использовании на большой высоте над уровнем моря см. ниже.
- Допускается использование бензина с содержанием этилового спирта до 10% (бензоспирт).

ПРИМЕЧАНИЕ Не используйте неразрешенные марки бензина, такие как E15 и E85. Не смешивайте масло в бензин и не модифицируйте двигатель для работы на другом топливе. Использование неразрешенных марок топлива станет причиной повреждения компонентов двигателя, которое не будет покрываться гарантийными обязательствами.

Чтобы избежать смолистых отложений в топливной системе, добавьте стабилизатор в топливо. Смотрите раздел **Хранение**. Не все виды топлива одинаковы. Если вы испытываете проблемы при запуске или работе двигателя, попробуйте использовать топливо от другого поставщика или другой марки. Данный двигатель сертифицирован для работы на бензине. Системой понижения токсичности выхлопа для данного двигателя является EM-система (Engine Modifications).

Большая высота над уровнем моря

В условиях высоты более 1524 метров (5000 футов) над уровнем моря, допускается использование бензина с октановым числом не менее 85 (89 ДЮЧ).

Для двигателей с карбюратором потребуется регулировка для работы на большой высоте над уровнем моря для сохранения рабочих параметров. Эксплуатация без такой регулировки приведет к ухудшению работы, повышенному потреблению топлива и повышению токсичности выхлопа. За информацией о регулировке двигателя для работы на большой высоте над уровнем моря обратитесь к официальному дилеру Briggs & Stratton. Не рекомендуется эксплуатация двигателя, отрегулированного для большой высоты, на высоте ниже 762 метров.

Для двигателей с электронным впрыском топлива (EFI) не требуется регулировка для работы на большой высоте над уровнем моря.

Залив топлива

Смотрите рисунок: 6



ОСТОРОЖНО

Топливо и его пары легко воспламеняются и взрывоопасны.

Воспламенение или взрыв могут привести к тяжелым ожогам или смертельному исходу.

При доливе топлива:

- Заглушите двигатель, дайте ему остыть не менее 2 минут, и только после этого снимите крышку топливного бака.
- Заполнение топливного бака следует осуществлять за пределами помещения или в хорошо вентилируемом помещении.
- Не следует переполнять топливный бак. Принимая в расчет увеличение объема топлива, не заполняйте бак выше низа горлышка.
- Держите топливо вдали от искр, открытого огня, зажженных горелок и других источников возгорания.
- Регулярно проверяйте топливные трубки, бак, крышку и патрубки на наличие трещин и протечек. При необходимости замените.
- В случае пролива топлива, подождите, пока оно испарится, и только после этого запускайте двигатель.

1. Очистите область вокруг крышки топливного бака от грязи и мусора. Снимите крышку топливного бака.
2. Заполните топливный бак (А, Рис. 6) топливом. Принимая в расчет расширение топлива, не заполняйте бак выше низа горлышка (С).
3. Закройте крышкой горловину топливного бака.

Запуск и останов работы двигателя

Смотрите рисунок: 7, 8

Запуск работы двигателя



ОСТОРОЖНО

Быстрое втягивание пускового троса (обратный ход) притянет вашу кисть или руку к двигателю до того, как вы успеете отпустить его.

Это может привести к переломам, ушибам и вывихам.

- При запуске мотора медленно потяните за пусковой трос, пока не почувствуете сопротивление, а затем потяните резко, чтобы избежать обратного хода троса.



ОСТОРОЖНО

Топливо и его пары легко воспламеняются и взрывоопасны.

Воспламенение или взрыв могут привести к тяжелым ожогам или смертельному исходу.

При запуске двигателя

- Убедитесь, что кабель свечи зажигания, глушитель, крышка топливного бака и воздушный фильтр (если таковые имеются) находятся на своих местах и надежно закреплены.
- Не заводите двигатель рукоятку, если свеча зажигания снята.
- Если карбюратор двигателя был переобогащен топливной смесью, то установите рычаг управления воздушной заслонкой (если имеется) в положение OPEN (Открыть) или RUN (Работа), рычаг управления дроссельной заслонкой (если имеется) в положение FAST (Быстро) и проворачивайте рукоятку, пока двигатель не запустится.



ОСТОРОЖНО

ОПАСНОСТЬ ОТРАВЛЕНИЯ ЯДОВИТЫМИ ГАЗАМИ! Выхлопные газы содержат оксид углерода — ядовитый газ, который может убить за минуты. Этот газ НЕВОЗМОЖНО увидеть или почувствовать; он не имеет запаха. Если вы не чувствуете запаха выхлопных газов, вы все еще можете быть подвержены действию угарного газа. Если вы почувствуете тошноту, головокружение или слабость при использовании данного изделия, то выключите его и НЕМЕДЛЕННО выйдите на свежий воздух. Обратитесь к врачу. Возможно, вы отравились угарным газом.

- Используйте оборудование ТОЛЬКО на открытом воздухе, на удалении от окон, дверей и вентиляционных отверстий, чтобы уменьшить потенциальную опасность накопления и втягивания угарного газа в помещения, где находятся люди.
- В соответствии с указаниями производителя, в помещениях следует установить и содержать в исправном состоянии датчики окиси углерода, работающие от батарей, или от сети с аварийным аккумуляторным источником питания. Аварийные датчики дыма не улавливают газ окиси углерода.
- НЕ ДОПУСКАЕТСЯ запускать данное изделие в домах, гаражах, подвалах, туннелях, сараях и других частично замкнутых пространствах, даже если вы используете вентиляторы или открыли окна и двери для вентиляции. В этих местах угарный газ может быстро накапливаться и надолго задерживаться, даже после выключения оборудования.
- ВСЕГДА устанавливайте генератор с подветренной стороны и направляйте выхлоп двигателя в сторону от помещений, где находятся люди.

ПРИМЕЧАНИЕ Данный двигатель поставляется компанией Briggs & Stratton без масла. Перед запуском двигателя обязательно залейте масло в соответствии с инструкциями в данном руководстве. Если вы запустите двигатель без масла, он может быть поврежден до состояния, не подлежащего ремонту, и не будет покрываться гарантией.

Примечание: Оборудование может иметь органы дистанционного управления. Касательно расположения и работы органов дистанционного управления, смотрите руководство по эксплуатации оборудования.

- Проверьте моторное масло. Смотрите раздел **Проверка уровня масла**.
- Убедитесь, что рычаги управления приводом оборудования, если они установлены, отключены.
- Поверните краник подачи топлива или ключ зажигания (А, Рис. 7), если имеется, в положение ON (Открыто / Вкл.) или START (Пуск).
- Переместите рычаг дроссельного регулирования (В, Рис. 7), если имеется, в положение FAST (Быстро). Управляйте двигателем в положении FAST (Быстро).
- Переместите рычаг управления воздушной заслонкой (С, Рис. 7, 8) в положение CLOSED (Закрыто).

Примечание: Обычно нет необходимости в воздушной заслонке при повторном запуске еще теплого двигателя.

- Переместите рычажок выключателя останова (Е, Рис. 8), если имеется, в положение ON (Вкл.).
- Ручной стартер, если имеется:** Крепко возьмитесь за рукоятку пускового троса (D, Рис. 7, 8). Медленно потяните за рукоятку, пока не почувствуете сопротивление и тогда дерните.



ОСТОРОЖНО

Быстрое втягивание пускового троса (обратный ход) притянет Вашу кисть или руку к двигателю до того, как Вы успеете отпустить его. Это может привести к переломам, ушибам и вывихам. При запуске мотора медленно потяните за пусковой трос, пока не почувствуете сопротивление, а затем потяните резко, чтобы избежать обратного хода троса.

- Электрический стартер, если имеется:** Поверните ключ выключателя электрического стартера (F, Рис. 8) в положение ON (Вкл.) или START (Пуск).

ПРИМЕЧАНИЕ Чтобы продлить срок службы стартера, используйте короткие циклы запуска (максимум пять секунд). Подождите одну минуту между циклами запуска.

- Когда двигатель разогреется, передвиньте рычаг управления воздушной заслонкой (С, Рис. 7, 8) в положение OPEN (Открыто).

Примечание: Если двигатель не запускается после нескольких попыток, то обратитесь к местному дилеру или перейдите по ссылке VanguardEngines.com или позвоните по телефону 1-800-999-9333 (в США).

Останов работы двигателя



ОСТОРОЖНО

Топливо и его пары легко воспламеняются и взрывоопасны.

Воспламенение или взрыв могут привести к тяжелым ожогам или смертельному исходу.

- Не перекрывайте заслонку карбюратора, чтобы заглушить двигатель.

- Выключатель останова, если имеется:** Переместите рычажок выключателя останова (Е, Рис. 8) в положение STOP (Стоп).
Краник подачи топлива / ключ зажигания, если имеется: Поверните краник подачи топлива / ключ зажигания (А, Рис. 7) в положение OFF (Закрыто / Выкл.) или STOP (Стоп).
- Электрический стартер, если имеется:** Извлеките ключ. Храните ключ подальше от детей.

Техническое обслуживание

ПРИМЕЧАНИЕ Если для выполнения техобслуживания потребуется наклон двигателя, то топливный бак, если он установлен на двигателе, должен быть опорожнен, а сторона со свечей зажигания должна быть обращена вверх. Если топливный бак не опорожнен, а двигатель наклонен в любом направлении, в дальнейшем могут быть проблемы с запуском двигателя из-за загрязнения маслом или бензином воздушного фильтра и/или свечи зажигания.



ОСТОРОЖНО

Если для выполнения техобслуживания потребуется наклон машины, то топливный бачок должен быть опорожнен, в противном случае топливо может вытекать, что приведет к пожару или взрыву.

Мы рекомендуем обращаться к любому уполномоченному сервисному дилеру от компании Briggs & Stratton для выполнения всех работ по техническому обслуживанию двигателя и его компонентов.

ПРИМЕЧАНИЕ Все компоненты, используемые для сборки данного двигателя, должны оставаться на своем месте для его надлежащей работы.



ОСТОРОЖНО



Случайное образование искры может привести к пожару или поражению электрическим током.

Случайный запуск может привести к захватыванию, травматической ампутации различных частей тела или к образованию рваных ран.

Риск возникновения пожара

Перед выполнением регулировок или ремонта:

- Отсоедините провод от свечи зажигания и отведите его от свечи.
- Отсоедините отрицательный вывод аккумулятора (только для двигателей с электростартером).
- Используйте только подходящие инструменты.
- НЕ меняйте настройку пружины регулятора, тяг и иных деталей, чтобы увеличить скорость работы двигателя.
- Запасные детали должны быть такими же и устанавливаться на то же самое место, что и первоначальные детали. Использование неоригинальных запасных частей может стать причиной ухудшения работы, повреждения машины и травмирования людей.
- Запрещается ударять по маховику молотком или твердым предметом, поскольку маховик может позже разорваться во время эксплуатации двигателя.

При проверке системы зажигания:

- Используйте только тестеры свечей зажигания, соответствующие техническим требованиям.
- Не проверяйте наличие искры при снятой свече зажигания.

Услуга по регулированию выхлопа

Техническое обслуживание, замена или ремонт устройств и систем снижения токсичности выхлопных газов может быть выполнено любым специалистом или мастерской по ремонту двигателей для внедорожных транспортных средств. Однако, для получения "бесплатной" услуги по регулированию выхлопа, работа должна быть выполнена уполномоченным заводом-изготовителем дилером. Смотрите "Заявления по регулированию выхлопа".

График технического обслуживания

После первых 5 часов работы
<ul style="list-style-type: none"> Замена масла
Через каждые 8 часов работы или ежедневно

<ul style="list-style-type: none"> • Проверка уровня моторного масла • Очистка зоны вокруг глушителя и органов управления • Очистка решетки воздухозаборного отверстия
Через каждые 25 часов работы или ежегодно
<ul style="list-style-type: none"> • Очистка воздушного фильтра ¹ • Очистка фильтра предварительной очистки ¹
Через каждые 50 часов работы или ежегодно
<ul style="list-style-type: none"> • Замена моторного масла • Обслуживание выхлопной системы
Через каждые 100 часов работы
<ul style="list-style-type: none"> • Замена масла в зубчатом редукторе (если имеется)
Ежегодно
<ul style="list-style-type: none"> • Замена свечи зажигания • Замена воздушного фильтра • Замена фильтра предварительной очистки • Обслуживание топливной системы • Обслуживание системы охлаждения ¹ • Проверка зазора клапана ²

¹ В условиях сильной запыленности или при наличии в воздухе частичек сора, очистку следует выполнять более часто.

² Не требуется, пока не будут замечены проблемы работы двигателя.

Карбюратор и число оборотов двигателя

Никогда не выполняйте регулировки карбюратора или числа оборотов двигателя. Карбюратор был отрегулирован на заводе-изготовителе для эффективной работы для большинства условий эксплуатации. Запрещается вмешиваться в работу пружины регулятора, тяг и иных деталей, чтобы изменить число оборотов двигателя. Если потребуются какие-либо регулировки, то обращайтесь для этого к уполномоченному сервисному дилеру от компании Briggs & Stratton.

ПРИМЕЧАНИЕ Производитель оборудования определяет максимальное число оборотов двигателя, который установлен на оборудовании. **Не допускается превышение** этого числа оборотов. Если Вы не уверены, каким является максимальное число оборотов для данного оборудования, или какое число оборотов двигателя установлено на заводе-изготовителе, то обращайтесь за поддержкой к уполномоченному сервисному дилеру от компании Briggs & Stratton. Для безопасной и надлежащей работы данного оборудования число оборотов двигателя должно регулироваться только квалифицированным техником по обслуживанию.

Обслуживание свечи зажигания

Смотрите рисунок: 9

Проверьте зазор (А, Рис. 9) с помощью проволочного калибра (В). При необходимости, повторно отрегулируйте зазор. Установите и затяните свечу зажигания с рекомендованным моментом затяжки. Касательно регулировки зазора или момента затяжки, смотрите раздел **Технические данные**.

Примечание: В некоторых районах местные законы требуют использования резисторной свечи зажигания для подавления помех от системы зажигания. Если на данном двигателе была изначально установлена резисторная свеча зажигания, то для замены необходимо использовать свечу зажигания того же типа.

Снятие выхлопной системы



ОСТОРОЖНО

Работающий двигатель нагревается. Детали двигателя, особенно глушитель, нагреваются до очень высокой температуры.

Прикосновение к ним может привести к сильным ожогам.

Воспламеняемый мусор, например листья, трава, хворост и т.п., могут загореться.

- Прежде чем прикасаться, дайте время глушителю, цилиндрам двигателя и ребрам радиатора остыть.
- Извлеките накопившийся воспламеняемый мусор из глушителя и области цилиндров.
- Использование или эксплуатация двигателя на территории, покрытой лесом, кустарниками или травой, без оснащения системы выхлопных газов искрогасителем и поддержки его в рабочем состоянии, является нарушением норматива Public Resource Code, раздел 4442, штата Калифорния. В других штатах или федеральных юрисдикциях могут действовать подобные законы. Для приобретения искрогасителя, рассчитанного на выхлопную систему, установленную на двигателе, обратитесь к производителю оригинального оборудования, розничному продавцу или дилеру.

Извлеките накопившийся воспламеняемый мусор из глушителя и области цилиндров. Осмотрите глушитель на предмет наличия трещин, коррозии или других повреждений. Снимите искроуловитель, если он установлен, и осмотрите на наличие повреждений или скопившегося нагара. В случае обнаружения повреждения, установите до начала эксплуатации запасные детали.



ОСТОРОЖНО

Запасные детали должны быть такими же и устанавливаться на то же самое место, что и первоначальные детали. Использование неоригинальных запасных частей может стать причиной ухудшения работы, повреждения машины и травмирования людей.

Замена моторного масла

Смотрите рисунок: 10, 11

Отработанное масло представляет собой опасные отходы и должно утилизироваться надлежащим образом. Его не следует утилизировать как обычные бытовые отходы. Обратитесь в местные органы власти, сервисный центр или к дилеру по вопросу безопасной утилизации и повторной переработки.

Слив масла

1. При выключенном, но еще теплом двигателе, отсоедините провод свечи зажигания (D, Рис. 10) и удерживайте его в стороне от свечи зажигания (E).
2. Извлеките масляный щуп (A, Рис. 11).
3. Выкрутите маслосливную пробку (F, Рис. 11). Слейте масло в подходящую для этого емкость.

Примечание: В двигателе могут быть установлены различные маслосливные пробки (G, Рис. 11).

4. После слива масла, установите и затяните маслосливную пробку (F, Рис. 11).

Долив масла

- Проверьте, что двигатель установлен горизонтально.
- Очистите область заливки масла от загрязнений.
- Касательно вместимости масляного бака смотрите раздел **Технические данные**.

1. Извлеките масляной щуп (A, Рис. 11) и вытрите его чистой тряпкой.
2. Медленно залейте масло в маслосливное отверстие двигателя (C, Рис. 11). Заполняйте до точки переполнения.
3. Вставьте масляной щуп (A, Рис. 11). **Не проворачивайте или не затягивайте.**
4. Извлеките масляной щуп и проверьте уровень масла. Правильный уровень масла обозначен в верхней части индикатора заполнения (B, Рис. 11) на масляном щупе.
5. Установите обратно и затяните масляный щуп (A, Рис. 11).
6. Подсоедините провод свечи зажигания (D, Рис. 10) к свече зажигания (E).

Замена масла для зубчатого редуктора

Смотрите рисунок: 12, 13

Редуктор с зубчатой передачей 6:1 (Рис. 12)

Если Ваш двигатель оснащен редуктором с зубчатой передачей 6:1, то обслужите его следующим образом:

1. Выкрутите маслосливную пробку (A, Рис. 12) и пробку для замера уровня масла (B).

2. Выкрутите маслосливную пробку (С, Рис. 12) и слейте масло в подходящую для этого емкость.
3. Установите обратно и затяните маслосливную пробку (С, Рис. 12).
4. Для повторного заполнения, медленно залейте масло для зубчатого редуктора (см. раздел **Технические данные**) в маслосливное отверстие (D, Рис. 12). Продолжайте заливать до тех пор, пока масло не начнет выходить из отверстия пробки для замера уровня масла (Е).
5. Установите обратно и затяните пробку для замера уровня масла (В, Рис. 12).
6. Установите обратно и затяните маслосливную пробку (А, Рис. 12).

Примечание: Маслосливная пробка (А, Рис. 12) имеет вентиляционное отверстие (F) и должна быть установлена в верхней части крышки редуктора, как показано на рисунке.

Редуктор с зубчатой передачей 2:1 (Рис. 13)

Редуктор с зубчатой передачей 2:1 (G, Рис. 13) не требует замены масла.

Обслуживание воздушного фильтра

Смотрите рисунок: 14, 15, 16



Топливо и его пары легко воспламеняются и взрывоопасны.

Воспламенение или взрыв могут привести к тяжелым ожогам или смертельному исходу.

- Никогда не запускайте и не оставляйте двигатель работающим, если снята система очистки воздуха или воздушный фильтр (если таковые имеются).

ПРИМЕЧАНИЕ Не используйте сжатый воздух или растворители для чистки фильтра. Сжатый воздух может повредить фильтр, а растворители – привести к его разложению.

Касательно требований к обслуживанию, смотрите раздел **График технического обслуживания**.

В различных моделях используется, либо пена, либо бумажный фильтр. Некоторые модели оборудованы также фильтром предварительной очистки, который можно использовать повторно после промывки. Сравните иллюстрации в настоящем руководстве со своим двигателем и выполните обслуживание как изложено ниже.

Поролоновый воздушный фильтр

1. Ослабьте затяжку крепления(й) (А, Рис. 14).
2. Снимите крышку (В, Рис. 14).
3. Удалите крепление (D, Рис. 14) и шайбу (Е).
4. Чтобы предотвратить попадание сора в карбюратор, осторожно извлеките поролоновый элемент (С, Рис. 14) из основания корпуса воздушного фильтра (G).
5. Снимите опорный колпачок (F, Рис. 14) с поролонового элемента (С).
6. Вымойте поролоновый элемент (С, Рис. 14) в воде с жидким моющим средством. Отожмите насухо поролоновый элемент, обернув чистой тряпкой.
7. Пропитайте поролоновый элемент (С, Рис. 14) чистым моторным маслом. Чтобы убрать излишки моторного масла, сожмите поролоновый элемент в чистой тряпке.
8. Вставьте опорный колпачок (F, Рис. 14) в поролоновый элемент (С).
9. Установите поролоновый элемент (С, Рис. 14) на основании воздушного фильтра (G) и на стержне (H). Убедитесь, что поролоновый элемент правильно установлен на основании воздушного фильтра, и зафиксируйте с помощью шайбы (Е) и крепления (D).
10. Установите крышку (В, Рис. 14) и зафиксируйте крепежным элементом(ами) (А). Убедитесь, что крепление(я) затянуто.

Бумажный воздушный фильтр

1. Ослабьте затяжку крепления(й) (А, Рис. 15).
2. Снимите крышку (В, Рис. 15).
3. Снимите крепление (Е, Рис. 15).
4. Чтобы предотвратить попадание сора в карбюратор, осторожно извлеките фильтр предварительной очистки (D, Рис. 15), если имеется, и фильтр (С) из основания воздушного фильтра (F).

5. Чтобы высвободить попавший в него мусор, слегка постучите фильтром (С, Рис. 15) по твердой поверхности. Если фильтр чрезмерно загрязнен, то замените его новым.
6. Извлеките фильтр предварительной очистки (D, Рис. 15), если имеется, из фильтра (С).
7. Вымойте фильтр предварительной очистки (D, Рис. 15) в воде с жидким моющим средством. Дайте фильтру предварительной очистки полностью просохнуть на воздухе. **Не допускается** смазывание маслом фильтра предварительной очистки.
8. Вставьте сухой фильтр предварительной очистки (D, Рис. 15), если имеется, в фильтр (С).
9. Установите уплотнительную шайбу (H, Рис. 15), фильтр (С) и фильтр предварительной очистки (D), если имеется, на основании воздушного фильтра (F) и на стержне (G). Убедитесь, что фильтр правильно установлен на основании воздушного фильтра, и зафиксируйте с помощью крепления (Е).
10. Установите крышку (В, Рис. 15) и зафиксируйте крепежным элементом(ами) (А). Убедитесь, что крепление(я) затянуто.

Бумажный воздушный фильтр

1. Ослабьте затяжку крепления(й) (D, Рис. 16).
2. Снимите крышку (А, Рис. 16).
3. Извлеките фильтр предварительной очистки (С, Рис. 16), если имеется, и фильтр (В).
4. Чтобы высвободить попавший в него мусор, слегка постучите фильтром (В, Рис. 16) по твердой поверхности. Если фильтр чрезмерно загрязнен, то замените его новым.
5. Вымойте фильтр предварительной очистки (С, Рис. 16), если имеется, в воде с жидким моющим средством. Дайте фильтру предварительной очистки полностью просохнуть на воздухе. **Не допускается** смазывание маслом фильтра предварительной очистки.
6. Вставьте сухой фильтр предварительной очистки (С, Рис. 16), если имеется, и фильтр (В).
7. Установите крышку (А, Рис. 16) и зафиксируйте крепежным элементом(ами) (D). Убедитесь, что крепление(я) затянуто.

Обслуживание топливной системы

Смотрите рисунок: 17, 18



Топливо и его пары легко воспламеняются и взрывоопасны.

Воспламенение или взрыв могут привести к тяжелым ожогам или смертельному исходу.

- Держите топливо вдали от искр, открытого огня, зажженных горелок и других источников возгорания.
- Регулярно проверяйте топливные трубки, бак, крышку и патрубки на наличие трещин и протечек. При необходимости замените.
- Перед чисткой или заменой топливного фильтра, слейте топливо из топливного бака или закройте кран подачи топлива.
- В случае пролива топлива, подождите, пока оно испарится, и только после этого запускайте двигатель.
- Запасные части должны быть аналогичны оригинальным и устанавливаться в том же положении.

Топливный фильтр (если установлен)

1. Перед очисткой или заменой топливного фильтра (А, Рис. 17), слейте топливо из топливного бака или закройте кран подачи топлива. В противном случае топливо может вытечь и стать причиной пожара или взрыва.
2. Воспользуйтесь плоскогубцами для сжимания выступов (В, Рис. 17) на зажимах (С), а затем сдвиньте зажимы в сторону от топливного фильтра (А). Скрутите и стяните топливопроводы (D) с топливного фильтра.
3. Проверьте топливопроводы (D, Рис. 17) на отсутствие трещин или утечек. При необходимости замените.
4. Замените топливный фильтр (А, Рис. 17) на оригинальный запасной фильтр.
5. Зафиксируйте топливопроводы (D, Рис. 17) с помощью зажимов (С), как показано на рисунке.

Топливный фильтр (если установлен)

1. Снимите крышку топливного бака (А, Рис. 18).

- Извлеките фильтр грубой очистки топлива (В, Рис. 18).
- Если фильтр грубой очистки топлива загрязнен, то очистите или замените его. В случае замены фильтра грубой очистки топлива убедитесь, что для замены используется оригинальный фильтр.

Обслуживание системы охлаждения



Работающий двигатель нагревается. Детали двигателя, особенно глушитель, нагреваются до очень высокой температуры.

Прикосновение к ним может привести к сильным ожогам.

Воспламеняемый мусор, например листья, трава, хворост и т.п., могут загореться.

- Прежде чем прикасаться, дайте время глушителю, цилиндрам двигателя и ребрам радиатора остыть.
- Извлеките накопившийся воспламеняемый мусор из глушителя и области цилиндров.

ПРИМЕЧАНИЕ Не допускается использование воды для очистки двигателя. Вода может попасть в топливную систему. Используйте щетку или сухую тряпку для очистки двигателя.

Это двигатель с воздушным охлаждением. Грязь или сор может воспрепятствовать потоку воздуха и стать причиной перегрева двигателя, что приведет к ухудшению рабочих характеристик и сокращению срока службы двигателя.

- Используйте щетку или сухую тряпку для удаления сора из зоны воздухозаборного отверстия.
- Содержите все тяги, пружины и регуляторы управления в чистоте.
- Не допускайте накопления воспламеняемых загрязнений в пространстве вокруг глушителя и за ним.
- Убедитесь, что охлаждающие ребра масляного радиатора свободны от грязи и мусора.

Со временем сор может скопиться в ребрах охлаждения цилиндра и стать причиной перегрева двигателя. Этот сор не возможно увидеть без частичной разборки двигателя. Поручите уполномоченному сервисному дилеру компании Briggs & Stratton осмотр и очистку системы воздушного охлаждения, как рекомендовано в разделе **График технического обслуживания**.

Хранение



Топливо и его пары легко воспламеняются и взрывоопасны.

Воспламенение или взрыв могут привести к тяжелым ожогам или смертельному исходу.

При хранении топлива или оборудования с топливом в баке

- Храните топливо и оборудование вдали от котлов, печей, водонагревателей и прочих приборов, в которых используются горелки или иные источники воспламенения, поскольку это может привести к воспламенению паров топлива.

Топливная система

Смотрите рисунок: 19

Храните двигатель на ровной горизонтальной поверхности (в нормальном рабочем положении). Заполнение топливного бака (А, Рис. 19) топливом. Чтобы учесть тепловое расширение топлива, не заполняйте топливный бак выше нижней части горловины (В).

Топливо может застыть, если оно хранится более 30 дней. Застоявшееся топливо приводит к образованию кислотных и смолистых отложений в топливной системе и на важных деталях карбюратора. Для предотвращения застывания топлива используйте **топливную добавку-стабилизатор Briggs & Stratton с улучшенной формулой**, которая продается в местах продаж оригинальных запчастей Briggs & Stratton.

Если стабилизатор топлива используется в соответствии с инструкциями, нет необходимости сливать бензин из двигателя. Перед хранением запустите двигатель и дайте ему поработать 2 (две) минуты, чтобы стабилизатор прошел через топливную систему.

Если стабилизатор не был добавлен в топливо, необходимо слить топливо из двигателя в соответствующую емкость. Запустите двигатель и дождитесь, пока он остановится из-за полной выработки топлива. Рекомендуется также добавлять

стабилизатор в емкость для хранения топлива с целью сохранения его качественных характеристик.

Моторное масло

Заменяйте моторное масло, когда двигатель еще теплый. Смотрите раздел **Замена моторного масла**.

Устранение неисправностей

Для получения технической поддержки обратитесь к своему местному дилеру или перейдите по ссылке VanguardEngines.com или позвоните по телефону 1-800-999-9333 (в США).

Технические данные

Модель: 130000	
Объем двигателя	12.48 ci (205 cc)
Диаметр цилиндра	2.688 in (68,28 mm)
Ход поршня	2.200 in (55,88 mm)
Количество масла	20 - 22 oz (.59 - .65 L)
Марка масла для зубчатого редуктора	80W-90
Количество масла для зубчатого редуктора	4 oz (.12 L)
Зазор свечи зажигания	.030 in (.76 mm)
Момент затяжки свечи зажигания	180 lb-in (20 Nm)
Воздушный зазор катушки	.010 - .014 in (.25 - .36 mm)
Зазор впускного клапана	.004 - .006 in (.10 - .15 mm)
Зазор выпускного клапана	.009 - .011 in (.23 - .28 mm)

Модель: 190000	
Объем двигателя	18.63 ci (305 cc)
Диаметр цилиндра	3.120 in (79,24 mm)
Ход поршня	2.438 in (61,93 mm)
Количество масла	26 - 28 oz (.77 - .83 L)
Марка масла для зубчатого редуктора	SAE 30
Количество масла для зубчатого редуктора	12 oz (.35 L)
Зазор свечи зажигания	.030 in (.76 mm)
Момент затяжки свечи зажигания	180 lb-in (20 Nm)
Воздушный зазор катушки	.010 - .014 in (.25 - .36 mm)
Зазор впускного клапана	.004 - .006 in (.10 - .15 mm)
Зазор выпускного клапана	.004 - .006 in (.10 - .15 mm)

Мощность двигателя будет снижаться на 3.5% для каждых 1000 футов (300 метров) выше уровня моря и на 1% для каждых 10°F (5.6°C) свыше 77°F (25°C). Двигатель будет работать удовлетворительно под углом до 15°. Смотрите руководство по эксплуатации оборудования по безопасным допускам для работы на склонах.

Запасные части - Модель: 130000, 190000	
Запасная часть	Номер детали
Поролоновый воздушный фильтр (Модель 130000, Рис. 14)	797378
Бумажный воздушный фильтр (Модель 130000, Рис. 15)	797033
Фильтр предварительной очистки (Модель 130000, Рис. 15)	798513
Бумажный воздушный фильтр (Модель 190000, Рис. 15)	797032
Фильтр предварительной очистки (Модель 190000, Рис. 15)	798795
Бумажный воздушный фильтр (Рис. 16)	474279
Фильтр предварительной очистки (Рис. 16)	491435S

Запасные части - Модель: 130000, 190000

Стабилизатор/модификатор топлива усовершенствованного состава	100117, 100120
Резисторная свеча зажигания	491055
Ключ для свечи зажигания	19576, 5402
Индикатор работы свечи	19368

Мы рекомендуем обращаться к любому уполномоченному сервисному дилеру от компании Briggs & Stratton для выполнения всех работ по техническому обслуживанию двигателя и его компонентов.

Номинальная мощность. Полная мощность отдельных моделей бензиновых двигателей указывается согласно стандарту SAE J1940 (Small Engine Power & Torque Rating Procedure) и оценивается в соответствии со стандартом SAE J1995. Для двигателей с указанными на них оборотами указано значение крутящего момента при 2600 об/мин, для всех остальных двигателей – при 3060 об/мин; значение мощности в лошадиных силах измерялось при 3600 об/мин. Кривые полезной мощности доступны на сайте www.BRIGGSandSTRATTON.COM. Значения мощности нетто указаны при установленных глушителе и воздухоочистителе, в то время как значения валовой мощности (брутто) указаны без этих принадлежностей. Фактическая валовая мощность двигателя будет ниже; она зависит, помимо прочего, от условий эксплуатации и конкретного экземпляра двигателя. Учитывая широкий диапазон продукции, которая оснащается двигателями, бензиновый двигатель может не развивать полную мощность по стандарту при эксплуатации на отдельном силовом оборудовании. Эта разница вызвана множеством факторов, включая, среди прочего, используемые принадлежности (очиститель воздуха, выхлопная система, зарядка, охлаждение, карбюратор, топливный насос и т.д.), ограничения в применении, условия эксплуатации (температура, влажность, высота) и разницу между отдельными экземплярами двигателей. В связи с производственными и техническими ограничениями компания Briggs & Stratton может заменить данный двигатель двигателем с более высокой номинальной мощностью.

Гарантия

Гарантия на двигатель компании Briggs & Stratton

Действует с января 2017 г.

Ограничение объема гарантийных обязательств

Компания Briggs & Stratton обязуется в течение гарантийного периода, определенного ниже, производить бесплатный ремонт или замену любых деталей, имеющих дефекты материала и/или производственные дефекты. Транспортные расходы, связанные с доставкой изделий, отправляемых для ремонта или замены по настоящей гарантии, должен нести покупатель. Гарантия действительна для сроков и условий, указанных ниже. Для проведения гарантийного обслуживания обратитесь к официальному дистрибьютору компании Briggs & Stratton. Найдите ближайшего дистрибьютора с помощью нашей карты поиска дилеров на веб-сайте BRIGGSandSTRATTON.COM. Покупателю необходимо связаться с уполномоченным сервисным дилером компании Briggs & Stratton и предоставить оборудование для осмотра и проверки.

Прочих прямых гарантий не существует. Подразумеваемые гарантии, включая гарантии коммерческой пригодности и соответствия конкретному применению, ограничены гарантийным периодом, указанным ниже, а также гарантийным объемом, предусмотренным законодательством. Ответственность за случайный или косвенный ущерб исключается в степени, предусмотренной законодательством. В некоторых штатах или странах запрещено ограничивать период действия подразумеваемой гарантии, а в некоторых штатах или странах запрещено исключать или ограничивать ответственность за случайный или косвенный ущерб. Таким образом, приведенные выше исключения и ограничения, возможно, не будут распространяться на вас. Данная гарантия предоставляет вам определенные законные права, помимо которых вы можете также иметь другие права, которые могут отличаться в различных штатах и странах ⁴.

Стандартные сроки гарантии 1, 2, 3

Фирменный знак / Наименование изделия	Личное использование	Коммерческое использование
Vanguard™; коммерческая серия	36 месяцев	36 месяцев
Двигатели, оснащенные чугунной муфтой Dura-Bore™	24 месяца	12 месяцев
Все другие двигатели	24 месяца	3 месяца

¹Настоящие гарантийные условия представляют собой стандартные условия нашей гарантии, но в некоторых случаях может быть введено дополнительное гарантийное покрытие, которое не было определено на момент данной публикации. Касательно информации по текущим гарантийным условиям для вашего двигателя, пожалуйста, посетите веб-сайт: BRIGGSandSTRATTON.com

или обратитесь к своему уполномоченному сервисному дилеру компании Briggs & Stratton.

² Гарантия не распространяется на двигатели в составе оборудования, используемого в качестве первичного источника энергии вместо сетевого электропитания или в качестве резервных генераторов, используемых для коммерческих целей. На двигатели, используемые на спортивно-гоночных автомобилях, на коммерческих или арендуемых транспортных средствах, гарантия не распространяется.

³ Vanguard, установленный на резервных генераторах: 24 месяца для личного использования, гарантия не предоставляется для коммерческого использования. Vanguard, установленный на грузовом транспорте: 24 месяца для личного использования, 24 месяца для коммерческого использования. Коммерческая серия с датой производства до июля 2017 г., 24 месяца для личного использования, 24 месяца для коммерческого использования.

⁴ Для Австралии — наша продукция обеспечивается гарантиями, которые не могут быть исключены согласно закону Австралии о защите прав потребителей. Вы имеете право на замену изделия или на возврат уплаченной за него суммы в случае серьезной неисправности, а также на компенсацию за прочие обоснованно прогнозируемые потери и убытки. Кроме того, вы имеете право на ремонт изделий или их замену, в случае если их качество неприемлемо, а неисправность является незначительной. Для получения гарантийного обслуживания найдите ближайшего уполномоченного сервисного дилера с помощью нашей карты поиска дилеров на веб-сайте BRIGGSandSTRATTON.com, позвоните по телефону 1300 274 447, свяжитесь по электронной почте: salesenquires@briggsandstratton.com.au или отправьте письмо по адресу: Briggs & Stratton Australia Pty Ltd, 1 Moorebank Avenue, Moorebank, NSW, Australia, 2170.

Гарантийный срок начинается с первоначальной даты приобретения первым розничным или коммерческим потребителем. «Личное использование» означает индивидуальное использование устройства на личном участке розничным потребителем. «Коммерческое использование» означает все иные варианты использования, включая использование в коммерческих целях, для получения дохода или сдачи в аренду. Если двигатель находился в коммерческом использовании, после этого в рамках настоящих гарантийных условий он считается двигателем «коммерческого использования».

Сохраните свою квитанцию, подтверждающую покупку. Если при обращении за гарантийным обслуживанием не будет предоставлен документ, подтверждающий дату первой покупки, для определения гарантийного периода будет использована дата изготовления изделия. Для получения гарантийного обслуживания оборудования Briggs & Stratton не требуется проходить специальную регистрацию.

Информация о вашей гарантии

Настоящая ограниченная гарантия покрывает только связанные с двигателями дефекты материала и/или производства, но не замену или возмещение стоимости оборудования, на котором двигатель может быть установлен. Профилактическое техническое обслуживание, настройка, регулировка или нормальный износ не покрываются настоящей гарантией. Аналогично, гарантия теряет свое действие, если двигатель был изменен или модифицирован, или если серийный номер двигателя был искажен или удален. Настоящая гарантия не покрывает повреждение двигателя или ухудшение рабочих параметров, которые были вызваны следующим:

1. Использование деталей, которые не являются оригинальными деталями компании Briggs & Stratton;
2. Эксплуатация двигателя с недостаточным количеством смазочного масла, с загрязненным смазочным маслом, а также в случае использования масла несоответствующей марки;
3. Использование загрязненного или несвежего топлива, бензина, содержащего более 10% этанола, или альтернативных видов топлива, например, сжиженного газа или природного газа на двигателях, которые не были изначально предназначены/изготовлены компанией Briggs & Stratton для работы на таких видах топлива;
4. Грязь, попавшая в двигатель вследствие ненадлежащего технического обслуживания воздушного фильтра или его неправильной повторной сборки;
5. Столкновение лезвия ротационной газонокосилки с твердым предметом, ослабленные или установленные ненадлежащим образом адаптеры ножей, крыльчатки или другие соединенные с коленчатым валом устройства, а также чрезмерное натяжение клиновидного ремня;
6. Присоединяемые детали или узлы, например, муфты сцепления, трансмиссии, устройства управления оборудованием и т. п., которые не поставляются компанией Briggs & Stratton;
7. Перегрев, вызванный обрезками травы, грязью, мусором или гнездами грызунов, которые блокируют или засоряют ребра охлаждения или зону маховика, или работой двигателя без достаточной вентиляции;
8. Чрезмерная вибрация, вызванная превышением скорости работы, ослабленным креплением двигателя, ослабленным креплением или неправильной балансировкой лезвий или крыльчаток или ненадлежащим присоединением компонентов оборудования к коленчатому валу;

9. Неправильное использование, отсутствие планового технического обслуживания, ненадлежащая транспортировка или хранение оборудования на складе или неправильная установка двигателя.

Гарантийное обслуживание осуществляется только уполномоченными дистрибьюторами компании Briggs & Stratton. Найдите ближайшего уполномоченного сервисного дилера на нашей карте поиска дилера на веб-сайте: BRIGGSandSTRATTON.COM или по телефону: 1-800-233-3723 (в США).

80004537 (ред. С)

Not for
Reproduction

Tento návod obsahuje bezpečnostné informácie, ktoré vás oboznámi s hazardmi a rizikami spojenými s motormi a ich predchádzaním. Taktiež obsahuje pokyny na správne používanie a ošetrovanie motora. Pretože Briggs & Stratton Corporation nemusí nevyhnutne vedieť, aké zariadenie bude poháňané týmto motorom, je dôležité, aby ste si prečítali a pochopili tieto pokyny a pokyny pre poháňané zariadenie. **Tieto pôvodné pokyny uschovajte pre prípadné použitie v budúcnosti.**

Poznámka: Čísla a ilustrácie uvedené v tomto návode slúžia iba ako pomôcka a môžu sa v prípade vášho špecifického modelu odlišovať. Ak máte nejaké otázky, spojte sa so svojim predajcom.

Pri výmene dielov, alebo pri technickej pomoci si zaznamenajte model motora, typ a kódové čísla spolu s dátumom zakúpenia. Tieto čísla sa nachádzajú na motore (pozrite si časť **Vlastnosti a ovládacie prvky**).

Dátum zakúpenia	
Model motora - Typ - Výbava	
Výrobné číslo motora	

Vyhľadajte 2D čiarový kód, ktorý je na niektorých motoroch. Prečítaním 2D čiarového kódu zistíte našu webovú stránku s podpornými informáciami o tomto výrobku. Platia rýchlosti prenosu údajov. Pre niektoré krajiny nemusia byť online podporné informácie k dispozícii.



Symbol	Význam	Symbol	Význam
	Riziko požiaru		Riziko výbuchu
	Riziko úrazu elektrickým prúdom.		Riziko výskytu toxických výparov
	Riziko popálenia na horúcom povrchu		Riziko hluku - pri dlhšom pôsobení hluku odporúčame používať chrániče sluchu.
	Riziko vyhodenia predmetu - Používajte ochranu zraku.		Riziko výbuchu
	Riziko vzniku omrzliny		Riziko spätného nárazu
	Riziko amputácie - pohybujúce sa diely		Chemické riziko
	Riziko popálenia		Korozívny

Informácie o recyklácii

		Všetky obaly, použitý olej a batérie musia byť recyklované podľa platných vládnych nariadení.
--	--	---

Bezpečnosť obsluhy

Symbol bezpečnostného upozornenia a signálne slová

Bezpečnostný varovný symbol upozorňujúci na nebezpečenstvo, sa používa na označenie informácií o bezpečnostných rizikách, ktoré môžu vyústiť do úrazu. Slovné návstie (NEBEZPEČENSTVO, VAROVANIE, alebo UPOZORNENIE) sa používa so symbolom upozorňujúcim na nebezpečenstvo, na označenie pravdepodobnosti vzniku a možnej vážnosti úrazu. Navyše, symbol hazardu môže byť použitý na označenie typu hazardu.

NEBEZPEČENSTVO označuje riziko, ktorému je potrebné predísť, inak dôjde k usmrteniu, alebo vážnemu úrazu osoby.

VAROVANIE označuje riziko, ktorému je potrebné predísť, inak by mohlo dôjsť k usmrteniu, alebo vážnemu úrazu osoby.

UPOZORNENIE označuje riziko, ktorému je potrebné predísť, inak by mohlo dôjsť k malému, alebo stredne vážnemu úrazu.

OZNÁMENIE označuje situáciu, ktorá by mohla viesť k poškodeniu výrobku

Symbole označujúce riziká a ich významy

Symbol	Význam	Symbol	Význam
	Bezpečnostná informácia týkajúca sa rizík, ktoré môžu spôsobiť poranenie osôb.		Pred prevádzkovaním jednotky, alebo vykonávaním servisu na jednotke si prečítajte a pochopte návod na obsluhu.

Bezpečnostné informácie

VAROVANIE

Určité komponenty tohto výrobku a príslušenstvo, ktoré s ním súvisí, obsahujú chemikálie, ktoré sú v štáte Kalifornia známe ako látky spôsobujúce rakovinu, vrodené defekty alebo iné reprodukčné poškodenie. Po manipulácii si umyte ruky.

VAROVANIE

Výfukové splodiny motora tohto výrobku obsahujú chemikálie, ktoré sú štátom Kalifornia označované ako látky spôsobujúce rakovinu, vrodené chyby alebo iné reprodukčné poškodenia.

VAROVANIE

Motory Briggs & Stratton nie sú skonštruované a nemajú sa používať na pohon: motokár; detských vozidiel, rekreačných, alebo športových terénnych vozidiel; motocyklov; vznášadiel; lietadiel; alebo súťažných vozidiel bez súhlasu spoločnosti Briggs & Stratton. Informácie o pretekárskych produktoch nájdete na stránkach www.briggsracing.com. O využití v úžitkových a terénnych vozidlách so sedadlami vedľa seba sa informujte v stredisku Briggs & Stratton pre používanie motorov, 1-866-927-3349. Nesprávne použitie motora môže spôsobiť vážny úraz alebo usmrtenie.

VAROVANIE
Palivo a jeho výpary sú mimoriadne horľavé a výbušné.

Oheň alebo výbuch môže spôsobiť vážne popáleniny alebo usmrtenie.

Počas dopĺňania paliva

- Vypnite motor a pred demontovaním uzáveru palivovej nádrže ho nechajte aspoň 2 minúty vychladnúť.
- Palivo naplňajte vonku alebo v dobre vetranom priestore.
- Palivovú nádrž neprepĺňajte. Aby bolo umožnené rozpinanie paliva, palivovú nádrž nenaplňajte nad úroveň spodnej časti hrdla palivovej nádrže.
- Palivo uskladňujte v dostatočnej vzdialenosti od výskytu iskier, otvorených plameňov, zapalovacích horákov, tepelných alebo iných zápalných zdrojov.

- Pravidelne kontrolujte palivové vedenia, nádrží, uzáver a armatúry s cieľom zistiť trhliny a netesnosti. V prípade potreby vymeňte.
- Ak dôjde k postriekaniu palivom, pred spustením motora vyčkajte, dokiaľ sa toto palivo neodparí.

Počas štartovania motora

- Uistite sa, že zapalovacia sviečka, tlmič výfuku, uzáver palivovej nádrže a čistič vzduchu (ak je vo výbave) sú na mieste a zaistené.
- Motor neštartujte, ak je zapalovacia sviečka odstránená.
- Pri presýtení motora nastavte sýtič (ak je použitý) do polohy OPEN/RUN (OTVORENÝ/CHOD), škrtiacu klapku (ak je použitá) nastavte do polohy FAST (VYSOKÉ OTÁČKY) a štartujte, kým motor nenaštartuje.

Počas prevádzkovania zariadenia

- Nenakláňajte motor ani zariadenie pod uhlom, pri ktorom môže dôjsť k rozliatiu paliva.
- Nezastavujte motor škrtitím karburátora.
- Nikdy neštartujte ani nenechajte bežať motor s odmontovaným vzduchovým filtrom (ak je ním motor vybavený), ani vybrať filtračnou vložkou (ak ju motor má).

Počas výmeny oleja

- Pokiaľ vypúšťate olej z hornej časti rúrky na plnenie oleja, palivová nádrž musí byť prázdna; v opačnom prípade dôjde k rozliatiu paliva s dôsledkom vzniku požiaru alebo výbuchu.

Počas nakláňania jednotky kvôli údržbe

- Keď robíte údržbu, ktorá si vyžaduje naklonenie stroja, musí byť palivová nádrž prázdna (pokiaľ je na motore namontovaná), ináč môže palivo vytečť a spôsobiť požiar alebo výbuch.

Počas prepravy zariadenia

- Prepravujte s PRÁZDNOU palivovou nádržou alebo s palivovým uzatváracím ventilom v polohe ZATVORENÝ.

Pri skladovaní paliva alebo zariadenia s palivom v nádrži.

- Neskladujte v blízkosti kotlov, pecí, ohrievačov vody alebo iných spotrebičov, ktoré majú večné plamienky alebo iné zápalné zdroje, pretože sa môžu vznietiť palivové výpary.



VAROVANIE

Počas spúšťania motora vznikajú iskry.

Iskry dokážu zapáliť horľavé plyny v blízkosti.

Dôsledkom toho môže dôjsť k vzniku výbuchu a požiaru.

- Ak v priestore dochádza k úniku zemného alebo skvapalneného plynu, nespúšťajte motor.
- Nepoužívajte stlačené štartovacie tekutiny, pretože výpary sú horľavé.



VAROVANIE

RIZIKO VÝSKYTU JEDOVATÉHO PLYNU. Spaliny z motora obsahujú oxid uhoľnatý, jedovatý plyn, ktorý dokáže spôsobiť smrť v priebehu niekoľkých minút. **NEMŮŽETE ho vidieť, cítiť ani ho zistiť chuťou.** Aj keď necítite výfukové spaliny, stále môžete byť vystavení účinkom plyného oxidu uhoľnatého. Ak pri používaní tohto výrobku začnete mať pocity choroby, závratu alebo slabosti, vypnite ho a **OKAMŽITE odíďte na čerstvý vzduch. Vyhľadajte lekára. Môžete mať otravu z oxidu uhoľnatého.**

- Tento výrobok používajte IBA vonku, ďaleko od okien, dverí a vetracích otvorov, aby sa znížilo riziko nahromadenia oxidu uhoľnatého a jeho možného vniknutia do obývaných priestorov.
- Podľa pokynov výrobcu nainštalujte poplašné zariadenia na oxid uhoľnatý napájané batériami alebo poplašné zariadenia na oxid uhoľnatý, ktoré sú napájané zo zástrčky a zálohované batériou. Poplašné zariadenia na dym nedokážu detegovať oxid uhoľnatý.
- **NEJAZDITE** s týmto produktom vo vnútri domov, v garážach, pivniciach, prístreškoch, ani v iných čiastočne uzavretých priestoroch, dokonca ani vtedy, keď sa tam používajú ventilátory alebo keď sa kvôli vetraniu používajú dvere a okná. Oxid uhoľnatý sa môže v týchto priestoroch rýchlo nahromadiť a držať sa v nich celé hodiny, dokonca aj po vypnutí výrobku.
- Tento výrobok **VŽDY** umiestňujte po vetre a výfuk motora smerujte mimo obývaných priestorov.



VAROVANIE

Rýchle spätné zatiahnutie štartovacej šnúry (spätný náraz) potiahne vašu ruku a rameno smerom k motoru a to rýchlejšie, ako by ste štartovaciu šnúru dokázali pusťiť.

V dôsledku toho môže dôjsť k zlomeninám kostí, fraktúram, pomliaždeninám alebo vytknutiam.

- Pri štartovaní motora pomaly ťahajte štartovaciu šnúru, kým neucítite odpor, a potom prudko trhnite, aby ste prekonalí spätý náraz.
- Pred štartovaním motora odpojte všetky externé zariadenia alebo záťaž motora.
- Priamo pripojené diely zariadení, ako napríklad najmä čepele, obežné kolesá, kladky, ozubené hnacie kolesá atď. musia byť bezpečne pripojené.



VAROVANIE

Rotujúce súčasti môžu zachytiť alebo namotať ruky, chodidlá, vlasy, oblečenie alebo doplnky.

Môže dôjsť k traumatickej amputácii alebo vážnemu tržnému poraneniu.

- Zariadenie prevádzkujte s nasadenými krytmi.
- Ruky a nohy nepribližujte k rotujúcim častiam.
- Dlhé vlasy si zviažte a odstráňte bižutériu.
- Nenoste voľné odevy, visiace sťahovacie šnúrkky, alebo predmety, ktoré sa môžu zachytiť.



VAROVANIE

Počas behu motora vzniká teplo. Časti motora, hlavne tlmič výfuku, sa veľmi zohrejú.

Pri kontakte môže dôjsť k závažným popáleninám.

Môže dôjsť k zapáleniu horľavých úlomkov, ako sú listy, tráva, chrastie atď.

- Pred dotykom nechajte tlmič výfuku, valec motora a chladiace rebrá vychladnúť.
- Z priestoru tlmiča výfuku a valca odstráňte nahromadený odpad.
- Je porušením Kalifornského zákonníka o verejných zdrojoch, Časť 4442, používať motor na akejkoľvek zalesnenej, zatravnenej ploche alebo na ploche pokrytej kríkmi, ak nie je výfukový systém vybavený zachytávačom iskier, ako je to vymedzené v Časti 4442, a ak nie je udržiavaný vo funkčnom stave. V ostatných štátnych alebo federálnych oblastiach sa môžu uplatňovať podobné zákony. Keď chcete získať zachytávač iskier, ktorý bol navrhnutý pre výfukový systém pre tento motor, skontaktujte sa s výrobcom originálneho zariadenia, s obchodníkom, alebo s predajcom.



VAROVANIE

Náhodné iskrenie môže spôsobiť požiar alebo zasiahnutie elektrickým prúdom.

Neúmyselné naštartovanie môže spôsobiť zachytenie, traumatickú amputáciu, alebo tržné poranenie.

Riziko požiaru

Pred nastavením alebo opravami:

- Odpojte kábel zapalovacej sviečky od zapalovacej sviečky a vyberte ho.
- Odpojte prívod od záporného pólu batérie (iba u motorov s elektrickým štartovaním).
- Používajte iba správne nástroje.
- Nezasahujte do pružiny regulátora, prepojení alebo iných dielov s cieľom zvýšiť otáčky motora.
- Náhradné diely musia byť rovnakej výroby a musia byť namontované na to isté miesto, ako pôvodné diely. Iné diely nemusia mať rovnaké parametre, môžu poškodiť motor a môžu spôsobiť úraz.
- Neudierajte do zotrvačníka kladivom alebo tvrdým predmetom, pretože počas behu motora sa môže rozletieť na kusy.

Počas skúšania iskry:

- Na skúšanie používajte schválený skúšač zapalovacích sviečok.
- Neskušajte iskru pri vyskrutkovanej zapalovacej sviečke.

Dôležité časti a ovládače

Ovládacie prvky motora

Porovnajte zobrazenie (Obrázok: 1, 2, 3, 4) so svojim motorom, aby ste sa oboznámili z umiestnením rôznych dôležitých častí a ovládačov.

- A. Identifikačné čísla motora **Model - Typ - Kód**
- B. Zapaľovacia sviečka
- C. Palivová nádrž a uzáver palivovej nádrže
- D. Vzduchový filter
- E. Rukoväť štartovacej šnúry
- F. Otvor pre plnenie oleja a olejová mierka
- G. Skrutka pre vypustenie oleja
- H. Tlmič výfuku, kryt tlmiča výfuku (ak je vo výbave), lapač iskier (ak je vo výbave).
- I. Ovládanie sýtiča
- J. Ovládanie plynu (ak je vo výbave)
- K. TransportGuard™ - Páčka pre ovládanie paliva a zapaľovania
- L. Mriežka pre nasávanie vzduchu
- M. Parametre reduktora (ak je vo výbave)
- N. Vypínač na zastavenie motora (ak je vo výbave)
- O. Spínač elektrického štartovania (ak je vo výbave) ¹

¹ Niektoré motory a zariadenia, na ktorých sú motory namontované, majú ovládacie prvky pre diaľkové ovládanie. Pozrite si návod k zariadeniu, na ktorom je namontovaný motor, v ktorom je uvedená poloha a obsluha tohoto diaľkového ovládania.

Symbole a významy ovládania motora

Symbol	Význam	Symbol	Význam
	Otáčky motora - VYSOKÉ		Otáčky motora - NÍZKE
	Otáčky motora - ZASTAVENÝ		ZAP./VYP.
	Štartovanie motora - škrtiacia klapka ZATVORENÁ		Štartovanie motora - škrtiacia klapka OTVORENÁ
	Uzáver palivovej nádrže Uzatvárací ventil paliva - OTVORENÝ		Uzatvárací ventil paliva - UZAVRETÝ
	Hladina paliva - Maximálna Nepreplňujte		

Prevádzka

Odporúčané oleje

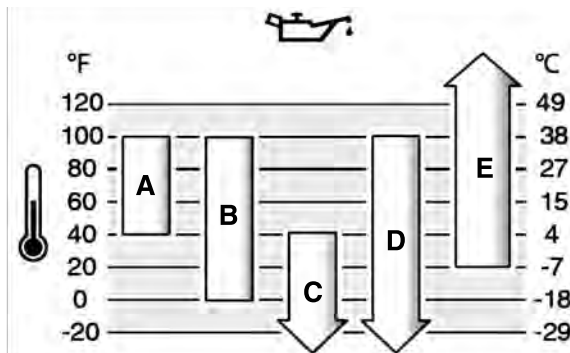
Objem oleja: Pozri **Technické parametre**.

UPOZORNENIE

Tento motor sa expeduje z výroby v Briggs & Stratton bez oleja. Olej do motora mohli pridať výrobcovia zariadenia alebo predajcovia. Pred prvým naštartovaním motora skontrolujte hladinu oleja a dolejte olej podľa pokynov uvedených v tejto príručke. Ak motor naštartujete bez oleja, neopraviteľne sa poškodí bez nároku na záruku.

Odporúčame používať certifikované záručné oleje Briggs & Stratton na dosiahnutie najlepších výsledkov. Prípustné sú aj iné vysoko kvalitné detergentné oleje, ak sú klasifikované pre prevádzkový režim SF, SG, SH, SJ alebo vyšší. Nepoužívajte špeciálne aditíva.

Správna viskozita oleja pre motor je určená vonkajšou teplotou. Pri výbere najlepšej viskozity pre očakávaný rozsah vonkajšej teploty používajte diagram. Motory väčšiny zariadení s motorovým pohonom pracujú vonku dobre so syntetickým olejom 5W-30. Pre zariadenia prevádzkované pri zvýšených teplotách ponúka najlepšiu ochranu syntetický olej Vanguard™ 15W-50.



A	SAE 30 - Pri teplote pod 40 °F (4 °C) spôsobí použitie SAE 30 zhoršenie štartovania.
B	10W-30 - Pri teplote nad 80 °F (27 °C) môže použitie oleja 10W-30 spôsobiť zvýšenú spotrebu oleja. Hladinu oleja kontrolujte častejšie.
C	5W-30
D	Syntetický olej 5W-30
E	Syntetický olej Vanguard™ 15W-50

Kontrola hladiny oleja

Pozrite si Obrázok: 5

Pred dopĺňaním, alebo kontrolou oleja

- Uistite sa, že motor je vo vodorovnej polohe.
 - Okolie nalievacieho otvoru oleja očistite od úlomkov.
1. Vytiahnite mierku (A, Obrázok 5) a utrite ju čistou handrou.
 2. Zasuňte olejovú mierku (A, Obrázok 5). **Nezakrucujte ju ani neutahujte.**
 3. Vyberte mierku hladiny oleja a skontrolujte hladinu oleja. Správna hladina oleja je na vrchu značky výšky hladiny (B, Obrázok 5) na olejovej mierke.
 4. Ak je hladina oleja nízko, pomaly nalievajte olej do motora cez nalievací otvor (C, Obrázok 5). Nalievajte, až začne pretekať.
 5. Zasuňte, zaskrutkujte a utiahnite olejovú mierku (A, Figure 5).

System ochrany proti nedostatku oleja (ak je vo výbave)

Niektoré motory sú vybavené snímačom nízkej hladiny oleja. Ak je oleja málo, tak snímač rozsvieti kontrolku, alebo zastaví motor. Zastavte motor a pred naštartovaním vykonajte tieto kroky.

- Uistite sa, že motor je vo vodorovnej polohe.
- Skontrolujte hladinu oleja. Pozrite si časť **Kontrola výšky hladiny oleja**.
- Ak je oleja málo, prilejte potrebné množstvo. Naštartujte motor a uistite sa, že nesvieti kontrolka (ak je vo výbave).
- Ak oleja nie je málo, neštartujte motor. Problém s olejom si dajte odstrániť v autorizovanom servise Briggs & Stratton.

Odporúčenia týkajúce sa paliva

Palivo musí vyhovovať týmto požiadavkám:

- Čistý, nový, bezolovnatý benzín.
- Minimálne 87-oktánový / 87 AKI (91 RON). V prípade používania vo vysokých nadmorských výškach si pozrite informácie uvedené nižšie.
- Je možné použiť benzín, obsahujúci maximálne 10% pridaného etanolu (gasohol).

UPOZORNENIE Nepoužívajte neschválený benzín, ako je E15 alebo E85. Do benzínu nepremiešavajte olej ani motor neupravujte na používanie s alternatívnymi palivami. Používanie neschválených palív spôsobí poškodenie dielov motora, na ktoré neplatí záruka.

Abyste palivový systém chránili pred vytváraním živcových usadenín, do paliva primiešajte stabilizátor. Pozrite si **Skladovanie**. Všetky palivá nie sú rovnaké. Ak sa vyskytnú problémy so štartovaním, zmeňte dodávateľa paliva alebo používanú značku. Tento motor je certifikovaný pre používanie benzínu. Tento motor je upravený tak, aby boli minimalizované emisie škodlivých látok.

Vysoká nadmorská výška

V nadmorských výškach nad 1524 metrov (5000 stôp) sa musí použiť minimálne 85-oktánový benzín/benzín 85 AKI (89 RON).

Motory s karburátorom si vyžadujú zmenu nastavenia pre vysokú nadmorskú výšku, aby si udržali výkon. Bez tejto úpravy dôjde počas prevádzky k zníženiu výkonu, zvýšeniu spotreby paliva a zvýšeniu množstva emisií. Informácie o úprave na používanie vo vysokých nadmorských výškach získate u autorizovaného predajcu značky Briggs & Stratton. Používanie motora s úpravou pre vysoké nadmorské výšky v nadmorských výškach do 762 metrov (2500 stôp) sa neodporúča.

Motory s elektronickým vstrekovaním paliva nepotrebujú zmenu nastavenia pre vysokú nadmorskú výšku.

Dopĺňanie paliva

Pozrite si Obrázok 6



VAROVANIE

Palivo a jeho výpary sú mimoriadne horľavé a výbušné.

Požiar, alebo výbuch môže spôsobiť vážne popálenia, alebo usmrtienie.

Pri dopĺňaní paliva

- Motor **VYPNITE** a nechajte ho vychladnúť, a to minimálne 2 minúty pred tým, ako odstránite uzáver palivovej nádrže.
 - Palivo naplňajte vonku, alebo v dobre vetranom priestore.
 - Palivovú nádrž neprepĺňajte. Aby bolo umožnené rozpínanie paliva, palivovú nádrž nenaplňajte nad úroveň spodnej časti hrdla palivovej nádrže.
 - Palivo uskladňujte v dostatočnej vzdialenosti od výskytu iskier, otvorených plameňov, zapalovacích horákov, tepelných alebo iných zápalných zdrojov.
 - Pravidelne, za účelom zistenia trhlín a unikania kontrolujte palivové vedenie, nádrž, uzáver a armatúry. V prípade potreby vymeňte.
 - Ak dôjde k postriekaniu palivom, pred spustením motora vyčkajte, dokiaľ sa toto palivo neodparí.
1. Okolie uzáveru palivovej nádrže očistite od špiny a zvyškov. Otvorte palivovú nádrž.
 2. Do palivovej nádrže nalejte (A, Obrázok 6) palivo. Aby ste umožnili tepelné rozpínanie paliva, netankujte nad spodok hrdla palivovej nádrže (B).
 3. Zatvorte palivovú nádrž.

Štartovanie a zastavenie motora

Pozrite si obrázok: 7, 8

Naštartovanie motora



VAROVANIE

Rýchle spätné zatiahnutie štartovacej šnúry (spätný náraz) potiahne vašu ruku a rameno, smerom k motoru a to rýchlejšie, ako by ste štartovaciu šnúru dokázali pusťiť.

Môže dôjsť k zlomeninám kostí, fraktúram, pomliaždeninám, alebo vykĺbeniam.

- Pri štartovaní motora pomaly ťahajte štartovaciu šnúru dokiaľ nepocítite odpor a následne šnúru prudko potiahnite, aby ste predišli spätnému nárazu.



VAROVANIE

Palivo a jeho výpary sú mimoriadne horľavé a výbušné.

Požiar, alebo výbuch môže spôsobiť vážne popálenia, alebo usmrtienie.

Pri štartovaní motora

- Uistite sa, že zapalovacia sviečka, tlmič výfuku, uzáver palivovej nádrže a čistič vzduchu (ak je vo výbave) sú na mieste a sú zaistené.
- Motor neštartujte, ak je zapalovacia sviečka vyskrutkovaná.
- Ak dôjde k presýteniu motora, nastavte sýtič (ak je vo výbave) do polohy OPEN, alebo RUN (OTVORENÝ, alebo CHOD), ovládač plynu (ak je vo výbave) nastavte do polohy FAST (vysoké otáčky) a štartujte, dokiaľ motor nenašartuje.



VAROVANIE

RIZIKO VÝSKYTU JEDOVATÉHO PLYNU. Spaliny z motora obsahujú oxid uhoľnatý, jedovatý plyn, ktorý dokáže spôsobiť smrť v priebehu niekoľkých minút.

NEMÔŽETE ho vidieť, cítiť ani ho zistiť chuťou. Aj keď necítite výfukové spaliny, stále môžete byť vystavení účinkom plyného oxidu uhoľnatého. Ak pri používaní tohoto výrobku začnete mať pocity choroby, závratu alebo slabosti, vypnite ho a OKAMŽITE odíďte na čerstvý vzduch. Vyhľadajte lekára. Môžete mať otravu oxidom uhoľnatým.

- Tento stroj používajte IBA vonku, ďaleko od okien, dverí a vetracích otvorov, aby sa znížilo riziko nahromadenia oxidu uhoľnatého a jeho možného vniknutia do obývaných priestorov.
- Podľa pokynov výrobcu nainštalujte poplašné zariadenia na oxid uhoľnatý, napájané batériami, alebo poplašné zariadenia na oxid uhoľnatý, ktoré sa napájajú zo zástrčky a ktoré sú zálohované batériou. Poplašné zariadenia na dym nedokážu detegovať oxid uhoľnatý.
- NESMIETE POUŽÍVAŤ tento výrobok vo vnútri domov, v garážach, v pivniciach, v prielezoch, pod prístreškami, ani v iných čiastočne uzavretých priestoroch, dokonca ani vtedy, keď sa tam používajú ventilátory, alebo keď sa kvôli vetraniu otvárajú dvere a okná. Oxid uhoľnatý sa môže rýchlo nahromadiť v týchto priestoroch a vydržať tam celé hodiny, dokonca aj keď je stroj vypnutý.
- Tento stroj **VŽDY** umiestňujte po vetre a výfuk motora smerujte mimo obývaných priestorov.

UPOZORNENIE Tento motor bol dodaný od Briggs & Stratton bez oleja. Pred naštartovaním motora doplňte olej podľa pokynov v tomto návode. Ak naštartujete motor bez oleja, dôjde k jeho poškodeniu, ktoré sa nedá opraviť a na takéto poškodenie sa záruka nevzťahuje.

Poznámka: Zariadenie na ktorom je namontovaný motor, môže mať diaľkové ovládanie. Pozrite si návod k zariadeniu, na ktorom je namontovaný motor, v ktorom je uvedená poloha a obsluha tohoto diaľkového ovládania.

1. Skontrolujte motorový olej. Pozrite si časť **Kontrola hladiny oleja**.
2. Uistite sa, že ovládacie prvky pohonu zariadenia, na ktorom je namontovaný motor, ak sú vo výbave, sú vypnuté.
3. Páčku paliva, alebo zapalovania (A, Obrázok 7), ak je vo výbave, dajte do polohy on, alebo start.
4. Posuňte páku ovládania plynu (B, Obrázok 7), ak je vo výbave, do polohy fast (vysoké otáčky). Motor prevádzkujte v polohe fast - vysoké otáčky.
5. Posuňte páku ovládania sýtiča (C, Obrázok 7, 8) do polohy closed (zatvorený).

Poznámka: Pri štartovaní teplého motora nie je sýtič zvyčajne potrebný.

6. Prepnete vypínač chodu (E, Obrázok 8), ak je vo výbave, do polohy on (zapnutý).
7. **Štartovanie šnúrou, ak je vo výbave:** Pevne uchopte rukoväť štartovacej šnúry (D, Obrázok 7, 8). Pomaly ťahajte rukoväť štartovacej šnúry, kým neucítite odpor a potom prudko potiahnite.



VAROVANIE

Rýchle spätné zatiahnutie štartovacej šnúry (spätný náraz) potiahne vašu ruku a rameno, smerom k motoru a to rýchlejšie, ako by ste štartovaciu šnúru dokázali pusťiť. Môže dôjsť k zlomeninám kostí, fraktúram, pomliaždeninám, alebo vykĺbeniam. Pri štartovaní motora pomaly ťahajte štartovaciu šnúru dokiaľ nepocítite odpor a následne šnúru prudko potiahnite, aby ste predišli spätnému nárazu.

8. **Elektrické štartovanie, ak je vo výbave:** Otočte spínač elektrického štartovania (F, Obrázok 8) do polohy on, alebo start.

UPOZORNENIE Kvôli predĺženiu životnosti štartéra používajte krátke štartovacie cykly (maximálne päť sekúnd). Medzi jednotlivými štartovaniami počkajte jednu minútu.

9. Počas ohrievania motora posúvajte páku ovládania sýtiča (C, Obrázok 7, 8) do polohy open (otvorený).

Poznámka: Ak motor nenašartuje ani po viacerých pokusoch, obráťte sa na miestneho predajcu, alebo choďte na stránku **VanguardEngines.com** alebo zavolajte na číslo **1-800-999-9333** (v USA).

Vypnutie motora



VAROVANIE

Palivo a jeho výpary sú mimoriadne horľavé a výbušné.

Požiar, alebo výbuch môže spôsobiť vážne popálenia, alebo usmrtenie.

- Nezastavujte motor priškrcovaním karburátora.
1. **Vypínač na zastavenie motora, ak je vo výbave:** Otočte vypínač chodu (E, Obrázok 8) do polohy stop.
Páčka paliva a zapalovania, ak je vo výbave: Páčku paliva a zapalovania (A, Obrázok 7), dajte do polohy off, alebo stop.
 2. **Elektrické štartovanie, ak je vo výbave:** Vytiahnite kľúč. Kľúč odložte mimo dosah detí.

Údržba

UPOZORNENIE Ak sa motor počas údržby otáča spodkom nahor, palivová nádrž, ak je upevnená na motore, musí byť prázdna a strana so zapaľovacou sviečkou musí smerovať nahor. Ak palivová nádrž nebude prázdna a motor prevrátite do ktoréhokoľvek smeru, môže dôjsť k sťaženiu naštartovania v dôsledku toho, že olej alebo benzín znečistí vzduchový filter a/alebo zapaľovaciu sviečku.



VAROVANIE

Keď robíte údržbu, ktorá si vyžaduje naklonenie stroja, musí byť palivová nádrž prázdna, ináč môže palivo vyteciť a spôsobiť požiar, alebo výbuch.

Odporúčame, aby ste kvôli každej údržbe a servisu motora a dielov motora navštívili ktoréhokoľvek autorizovaného servisného zástupcu Briggs & Stratton.

UPOZORNENIE Všetky diely použité pri stavbe tohto motora musia byť na svojom mieste, aby motor správne fungoval.



VAROVANIE

Náhodné iskrenie môže spôsobiť požiar, alebo úraz elektrickým prúdom.

Neúmyselné naštartovanie môže spôsobiť zachytenie, traumatickú amputáciu, alebo tržné poranenie.

Nebezpečenstvo požiaru

Pred nastavovaním, alebo opravami:

- Odpojte zapaľovací kábel od zapaľovacej sviečky a dajte ho preč od zapaľovacej sviečky.
- Odpojte prívod od zápornej svorky akumulátora (iba u motorov s elektrickým štartovaním).
- Používajte iba správne nástroje.
- Nezasahujte do pružiny regulátora, prepoiní, alebo iných dielov, kvôli zvýšeniu otáčok motora.
- Náhradné diely musia mať rovnakú konštrukciu a musia byť namontované na rovnaké miesta ako pôvodné diely. Iné diely nemusia fungovať tak dobre, môžu poškodiť zariadenie a môžu spôsobiť úraz.
- Neudierajte do zotrvačníka kladivom alebo tvrdým predmetom, pretože počas behu motora sa môže rozletieť na kusy.

Pri skúšaní iskry:

- Na skúšanie používajte schválený skúšač zapaľovacích sviečok.
- Neskúšajte iskru pri vyskrutkovanej zapaľovacej sviečke.

Servis dielov na obmedzovanie škodlivých emisií

Údržbu, výmenu, alebo opravu dielov a systémov na obmedzovanie škodlivých emisií, môže vykonávať akákoľvek firma, alebo osoba, zaoberajúca sa opravou terénnych motorov. Avšak "bezplatný" servis dielov na obmedzovanie škodlivých emisií dostanete, iba ak práca bude vykonaná v servise s autorizáciou od závodu. Pozrite si vyhlásenia o kontrole emisií škodlivých.

Plán údržby

Prvých 5 hodín
<ul style="list-style-type: none">• Vymeňte olej
Každých 8 hodín alebo každý deň
<ul style="list-style-type: none">• Skontrolujte úroveň hladiny motorového oleja• Očistite priestor okolo tlmiča výfuku a ovládačov• Očistite mriežku pre nasávanie vzduchu
Každých 25 hodín, alebo raz ročne
<ul style="list-style-type: none">• Vyčistite vložku vzduchového filtra ¹• Vyčistite predfilter ¹
Každých 50 hodín, alebo raz ročne
<ul style="list-style-type: none">• Výmena motorového oleja• Urobte servisnú údržbu výfukového systému
Každých 100 hodín
<ul style="list-style-type: none">• Vymeňte olej v reduktore (ak je vo výbave)
Raz ročne
<ul style="list-style-type: none">• Vymeňte zapaľovaciu sviečku• Vymeňte vložku vzduchového filtra• Vymeňte predfilter• Urobte servisnú údržbu palivového systému• Urobte servisnú údržbu chladiaceho systému ¹• Skontrolujte voľu ventilu ²

¹ V prašných podmienkach, alebo pri vzduchu znečistenom úlomkami, čistite častejšie.

² Nie je potrebné, ak neexistujú problémy s výkonom motora.

Karburátor a otáčky motora

Nikdy neupravujte karburátor, alebo otáčky motora. Karburátor bol nastavený v závode tak, aby efektívne fungoval vo väčšine pracovných podmienok. Nezasahujte do pružiny regulátora, prepoiní, alebo iných dielov, kvôli zmene otáčok motora. Ak sú potrebné akékoľvek úpravy, požiadajte o službu servis s autorizáciou od Briggs & Stratton.

UPOZORNENIE Výrobca zariadenia, na ktorom je namontovaný motor, stanovuje maximálne povolené otáčky tohoto motora. **Neprekračujte** tieto otáčky. Ak si nie ste istí hodnotou maximálnych povolených otáčok zariadenia na ktorom je motor, alebo na aké otáčky bol nastavený motor vo výrobnom závode, požiadajte o pomoc servis s autorizáciou od Briggs & Stratton. Aby zariadenie, na ktorom je namontovaný motor, pracovalo bezpečne a správne, otáčky motora musia byť nastavené iba kvalifikovaným servisným technikom.

Údržba zapaľovacej sviečky

Pozrite si Obrázok: 9

Skontrolujte vzdialenosť elektród (A, Obrázok 9) drôtovou mierkou (B). Ak je to potrebné, tak vzdialenosť elektród upravte. Zapaľovaciu sviečku zaskrutkujte a utiahnite doporučeným ut'ahovacím momentom. Nastavte vzdialenosť elektród, alebo veľkosť ut'ahovacieho momentu si pozrite v časti **Technické parametre**.

Poznámka: Niekde miestny zákon vyžaduje používanie zapaľovacej sviečky s odporom, na potlačenie elektromagnetického rušenia od zapalovania. Ak tento motor bol pôvodne vybavený zapaľovacou sviečkou s odporom, tak na jej náhradu použite rovnaký typ zapaľovacej sviečky.

Servis výfukového systému



VAROVANIE

Počas behu motora vzniká teplo. Súčasť motora, a to hlavne tlmič výfuku sa ohrievajú na veľmi vysokú teplotu.

Dotyk s nimi môže spôsobiť vážne popáleniny.

Môže sa zapáliť horľavý odpad, ako sú listy, tráva, chrastie, atď.

- Pred dotykom nechajte tlmíč výfuku, valec motora a chladiace rebrá vychladnúť.
- Z priestoru tlmíča výfuku a valca odstráňte nahromadené nečistoty.
- Je porušením Kalifornského zákonníka o verejných zdrojoch, Časť 4442, používať motor na akejkoľvek zalesnenej, zatravnenej ploche alebo na ploche pokrytej kríkmi, ak nie je výfukový systém vybavený zachytávačom iskier, ako je to zadefinované v Časti 4442, a ak nie je udržiavaný v efektívnom pracovnom stave. V ostatných štátnych alebo federálnych oblastiach sa môžu uplatňovať podobné zákony. Keď chcete získať zachytávač iskier, ktorý bol navrhnutý pre výfukový systém pre tento motor, skontaktujte sa s výrobcom originálneho zariadenia, s obchodníkom, alebo s predajcom.

Z priestoru tlmíča výfuku a valca odstráňte nahromadené nečistoty. Skontrolujte tlmíč výfuku, či nie je prasknutý, skorodovaný, alebo ináč poškodený. Odmontujte lapač iskier, ak je použitý na motore a skontrolujte, či nie je poškodený, alebo zanesený olejovými usadeninami. Ak nájdete poškodenie, tak pred používaním motora namontujte náhradné diely.



VAROVANIE

Náhradné diely musia mať rovnakú konštrukciu a musia byť namontované na rovnaké miesta ako pôvodné diely. Iné diely nemusia fungovať tak dobre, môžu poškodiť zariadenie a môžu spôsobiť úraz.

Výmena motorového oleja

Pozrite si obrázok: 10, 11

Použitý olej je nebezpečným odpadom a musí sa správne zlikvidovať. Nevyhadzujte ho s domovým odpadom. Informácie o bezpečnej likvidácii / miestach realizácie recyklácie získate na miestnom úrade, v servisnom stredisku alebo u predajcu.

Vypustenie oleja

1. Na vypnutom, ale ešte teplom motore odpojte zapalovací kábel od zapalovacej sviečky (D, Obrázok 10) a nepribližujte ho k zapalovacej sviečke (E).
2. Vytiahnite olejovú mierku (A, Obrázok 11).
3. Vyskrutkujte vypúšťací zátku oleja (F, Obrázok 11). Olej vypustíte do schválenej nádoby.

Poznámka: Na motore sa nachádzajú rôzne zátky (G, Obrázok 11) na vypúšťanie oleja.

4. Po vypustení oleja zaskrutkujte zátku na vypúšťanie oleja a utiahnite ju (F, Obrázok 11).

Doliatie oleja

- Uistite sa, že motor je vo vodorovnej polohe.
- Okolie otvoru pre plnenie oleja očistite od špiny.
- Pozrite si časť **Technické parametre**, kde je uvedené množstvo oleja.

1. Vytiahnite olejovú mierku (A, Obrázok 11) a utrite ju čistou handrou.
2. Pomaly nalievajte olej do otvoru pre nalievanie motorového oleja (C, Obrázok 11). Nalievajte, až začne pretekať.
3. Zasuňte olejovú mierku (A, Obrázok 11). **Nezakrúcajte ani neuťahujte.**
4. Vytiahnite olejovú mierku a skontrolujte hladinu oleja. Správna hladina oleja je na vrchu značky výšky hladiny (B, Obrázok 11) na olejovej mierke.
5. Zasuňte a utiahnite olejovú mierku (A, Obrázok 11).
6. Nasaďte zapalovací kábel (D, Obrázok 10) na zapalovaciu sviečku (E).

Výmena oleja v reduktore

Pozrite si obrázok: 12, 13

Redukcia 6:1 (Obrázok 12)

Ak je váš motor vybavený reduktorom 6:1, tak jeho údržbu vykonajte nasledovne:

1. Vyskrutkujte skrutku z otvoru pre naplnenie oleja (A, Obrázok 12) a skrutku z otvoru pre kontrolu hladiny oleja (B).
2. Vyskrutkujte skrutku z otvoru pre vypúšťanie oleja (C, Obrázok 12) a vypustíte olej do vhodnej nádoby.
3. Zaskrutkujte skrutku do otvoru pre vypúšťanie oleja (C, Obrázok 12).
4. Pomaly dolievajte prevodový olej (pozrite si časť **Technické parametre**) do otvoru pre plnenie oleja (D, Obrázok 12). Pokračujte, kým olej nezačne vytekať z otvoru pre kontrolu výšky hladiny oleja (E).

5. Zasuňte a utiahnite olejovú mierku (B, Obrázok 12).
6. Zaskrutkujte a utiahnite skrutku do plniaceho otvoru oleja (A, Obrázok 12).

Poznámka: Skrutka plniaceho otvoru oleja (A, Obrázok 12) má odvzdušňovací otvor (F) a musí byť zaskrutkovaná na vrchu krytu prevodovky tak, ako je to znázornené na obrázku.

Redukcia 2:1 (Obrázok 13)

Reduktor 2:1 (G, Obrázok 13) si nevyžaduje výmenu oleja.

Servis vložky vzduchového filtra

Pozrite si obrázok: 14, 15, 16



VAROVANIE



Palivo a jeho výpary sú mimoriadne horľavé a výbušné.

Požiar, alebo výbuch môže spôsobiť vážne popálenia, alebo usmrtienie.

- Nikdy motor neštartujte, ani neprevádzkujte, keď je zostava čističa vzduchu (ak je vo výbave), alebo vložka vzduchového filtra (ak je vo výbave) demontovaná.

UPOZORNENIE Na čistenie vložky filtra nepoužívajte stlačený vzduch ani rozpúšťadlá. Stlačený vzduch môže poškodiť vložku filtra a rozpúšťadlá vložku filtra rozpustia.

Pozrite si **Plán údržby** kde sú uvedené požiadavky na servis.

Rôzne modely používajú penovú, alebo papierovú vložku filtra. Niektoré modely sú vybavené taktiež predfilterom, ktorý je možné vyprať a znovu použiť. Porovnajete zobrazenia v tomto návode s typom použitým na vašom motore a podľa toho vykonajte servis.

Penová vložka vzduchového filtra

1. Uvoľnite príchytku (príchytka) (A, Obrázok 14).
2. Zložte kryt (B, Obrázok 14).
3. Vyskrutkujte maticu (D, Obrázok 14) a podložku (E).
4. Tak, by do karburátora nepadla nečistota, opatrne vyberte penovú vložku (C, Obrázok 14) zo spodku vzduchového filtra (G).
5. Zložte oporné viečko (F, Obrázok 14) z penovej vložky filtra (C).
6. Penovú vložku (C, Figure 14) umyte v zmesi tekutého čistiaceho prostriedku a vody. Penovú vložku vyžmýkajte dosucha v čistej handre.
7. Penovú vložku filtra namočte (C, Obrázok 14) do čistého motorového oleja. Prebytočný motorový olej odstráňte vyžmýkaním penovej vložky v čistej handre.
8. Nasaďte oporné viečko (F, Obrázok 14) na penovú vložku filtra (C).
9. Nasaďte penovú vložku filtra (C, Obrázok 14) na spodok vložky filtra (G) a na kolík (H). Uistite sa, že penová vložka filtra je správne nasadená na spodok vzduchového filtra a zaistená podložkou (E) a skrutkou (D).
10. Nasaďte kryt (B, Obrázok 14) a zaistite ho príchytkou (príchytkami) (A). Príchytku (príchytka) utiahnite.

Papierová vložka vzduchového filtra

1. Uvoľnite príchytku (príchytka) (A, Obrázok 15).
2. Zložte kryt (B, Obrázok 15).
3. Zložte príchytka (E, Figure 15).
4. Tak, by do karburátora nepadla nečistota, opatrne vyberte predfilter (D, Obrázok 15), ak je vo výbave, a vložku filtra (C) zo spodku vzduchového filtra (F).
5. Ak chcete uvoľniť úločky, jemne poklepte filtrom (C, Obrázok 15) o tvrdý povrch. Ak je vložka filtra veľmi znečistená, vymeňte ju za novú vložku filtra.
6. Dajte dole predfilter (D, Obrázok 15), ak je vo výbave, z vložky filtra (C).
7. Predfilter (D, Obrázok 15) umyte v zmesi tekutého čistiaceho prostriedku a vody. Nechajte predfilter poriadne vyschnúť na vzduchu. **Predfilter nesmiete zaolejšovať.**
8. Nasaďte suchý predfilter (D, Obrázok 15), ak je vo výbave, na vložku filtra (C).
9. Nasaďte tesniacu podložku (H, Obrázok 15), vložku filtra (C) a predfilter (D), ak je vo výbave, na spodok vzduchového filtra (F) a na kolík (G). Uistite sa, že filter je správne vložený do spodku vzduchového filtra a zaistený príchytkou (E).
10. Nasaďte kryt (B, Obrázok 15) a zaistite ho príchytkou (príchytkami) (A). Príchytku (príchytka) utiahnite.

Papierová vložka vzduchového filtra

1. Uvoľnite príchytka (príchytka) (D, Obrázok 16).

- Zložte kryt (A, Obrázok 16).
- Dajte dole predfilter (C, Obrázok 16), ak je vo výbave, a vyberte vložku filtra (B).
- Ak chcete uvoľniť nečistoty, jemne poklepte vložkou filtra (B, Obrázok 16) o tvrdý povrch. Ak je vložka filtra veľmi znečistená, vymeňte ju za novú vložku filtra.
- Vyperte predfilter (C, Obrázok 16), ak je vo výbave, v zmesi tekutého čistiaceho prostriedku a vody. Nechajte predfilter poriadne vyschnúť na vzduchu. **Predfilter nesmiete** zaolejovať.
- Nasaďte suchý predfilter (C, Obrázok 16), ak je vo výbave, a vložku filtra (B).
- Nasaďte kryt (A, Obrázok 16) a zaistite ho príchytkou (príchytkami) (D). Príchytka (príchytka) utiahnite.

Servis palivového systému

Pozrite si Obrázok: 17, 18



VAROVANIE

Palivo a jeho výpary sú mimoriadne horľavé a výbušné.

Požiar, alebo výbuch môže spôsobiť vážne popálenia, alebo usmrtenie.

- Palivo uskladňujte v dostatočnej vzdialenosti od zdrojov iskier, otvorených plameňov, zapalovacích plamienkov, tepelných, alebo iných zápalných zdrojov.
- Často, za účelom zistenia trhlín a úniku paliva, kontrolujte palivové rúrky, nádrž, uzáver nádrže a spoje. V prípade potreby vymeňte.
- Pred čistením, alebo výmenou palivového filtra vypustite palivo z palivovej nádrže, alebo zatvorte uzatvárací ventil paliva.
- Ak sa palivo rozleje, tak pred spustením motora počkajte, kým sa toto rozliate palivo neodparí.
- Náhradné diely musia byť rovnaké a musia byť namontované na to isté miesto ako pôvodné diely.

Palivový filter, ak je vo výbave

- Pred čistením, alebo výmenou palivového filtra (A, Obrázok 17) vypustite palivo z palivovej nádrže, alebo zatvorte uzatvárací ventil paliva. V opačnom prípade môže dôjsť k rozliatiu paliva a vzniku požiaru, alebo výbuchu.
- Kliešťami stlačte výstupky (B, Obrázok 17) na svorkách (C), potom odtlačte svorky z palivového filtra (A). Krútením a ťahaním odpojte palivové rúrky (D) od palivového filtra.
- Skontrolujte palivové rúrky (D, Obrázok 17), či nie sú prasknuté, alebo netesniace. V prípade potreby vymeňte.
- Palivový filter (A, Obrázok 17) nahraďte originálnym náhradným filtrom.
- Palivové rúrky (D, Obrázok 17) zaistite svorkami (C) tak, ako je to zobrazené.

Servis palivového systému

- Vyskrutkujte uzáver palivovej nádrže (A, Obrázok 18).
- Vyberte palivové filtračné sitko (B, Obrázok 18).
- Ak je palivové filtračné sitko špinavé, tak ho očistite, alebo vymeňte. Ak vymieňate palivové filtračné sitko pre zachytávanie nečistôt, tak na výmenu použite iba originálne náhradné palivové filtračné sitko.

Servis chladiaceho systému



VAROVANIE

Počas behu motora vzniká teplo. Súčasti motora, a to hlavne tlmič výfuku sa ohrievajú na veľmi vysokú teplotu.

Dotyk s nimi môže spôsobiť vážne popálenia.

Môže sa zapáliť horľavý odpad, ako sú listy, tráva, chrastie, atď.

- Pred dotykom nechajte tlmič výfuku, valec motora a chladiace rebrá vychladnúť.
- Z priestoru tlmiča výfuku a valca odstráňte nahromadené nečistoty.

UPOZORNENIE Motor nečistite vodou. Voda sa môže dostať do palivového systému. Na čistenie motora používajte kefu, alebo suchú handru.

Tento motor je chladený vzduchom. Špina, alebo úlomky môžu obmedziť prietok vzduchu a spôsobiť prehriatie motora, čo má za následok zníženie výkonu a skrátenie životnosti motora.

- Z mriežky pre nasávanie vzduchu odstráňte nečistoty kefou, alebo suchou handrou.

- Tiahla, pružiny a ovládacie prvky udržiavajte v čistote.
- Priestor okolo a za tlmičom výfuku, ak je vo výbave, očistite od všetkých horľavých úlomkov.
- Uistite sa, že na rebrách chladiča oleja nie je špina, alebo úlomky.

Časom sa v chladiacich rebrách valca môžu nahromadiť úlomky a spôsobiť prehriatie motora. Tieto úlomky nie je možné odstrániť bez čiastočného rozobratia motora. Nechajte si autorizovaným servisným zástupcom Briggs & Stratton skontrolovať a vyčistiť systém vzduchového chladienia motora tak, ako je to doporučené v **Pláne údržby**.

Skladovanie



VAROVANIE

Palivo a jeho výpary sú mimoriadne horľavé a výbušné.

Oheň alebo výbuch môže spôsobiť vážne popálenia alebo usmrtenie.

Pri skladovaní paliva alebo zariadenia s palivom v nádrži

- Neskladujte v blízkosti kotlov, pecí, ohrievačov vody ani iných spotrebičov, ktoré majú večné plamienky alebo iné zápalné zdroje, pretože sa môžu vznietiť palivové výpary.

Palivový systém

Pozri obrázok: 19

Motor uskladnite vo vodorovnej polohe (štandardná prevádzková poloha). Naplňte palivovú nádrž (A, obrázok 19) palivom. Palivovú nádrž nenapĺňajte nad hrdlo a ponechajte priestor na rozpínanie paliva (B).

Palivo môže pri skladovaní na viac ako 30 dní zostarnúť. Staré palivo vytvára kyselinu a usadeniny gúmy, ktoré sa vytvárajú v palivovom systéme alebo v dôležitých častiach karburátora. Na ochranu čerstvosti paliva používajte **palivo Briggs & Stratton s pokrokovým zložením Ošetrovanie a stabilizátor**, dostupné všade, kde sa predávajú originálne servisné diely Briggs & Stratton.

Ak sa v súlade s pokynmi pridá stabilizátor paliva, nie je potrebné vypúšťať benzín z motora. Motor nechajte pred uskladnením dve (2) minúty bežať, aby sa stabilizátor dostal do celého palivového systému.

Ak ste benzín v motore neošetrili stabilizátorom paliva, je nutné ho vypustiť do schválenej nádoby. Motor nechajte bežať dovtedy, kým sa nezastaví pre nedostatok paliva. Odporúča sa používať stabilizátor paliva na zachovanie čerstvého stavu paliva v nádobe.

Motorový olej

Motorový olej vymieňajte pri teplom motore. Pozrite si časť **Výmena motorového oleja**.

Riešenie problémov

Pre pomoc sa obráťte na svojho miestneho predajcu, alebo choďte na stránku **VanguardEngines.com**, alebo zavolajte na číslo **1-800-999-9333** (v USA).

Technické parametre

Model: 130000	
Zdvihový objem	12.48 ci (205 cc)
Víťanie	2.688 in (68,28 mm)
Zdvih	2.200 in (55,88 mm)
Obsah oleja	20 - 22 oz (,59 - ,65 L)
Typ oleja v redukcii	80W-90
Množstvo oleja v redukcii	4 oz (,12 L)
Vzdialenosť elektród zapaľovacej sviečky	.030 in (,76 mm)
Uťahovací moment zapaľovacej sviečky	180 lb-in (20 Nm)
Vzduchová medzera armatúry	.010 - .014 in (,25 - ,36 mm)
Vôľa nasávacieho ventilu	.004 - .006 in (,10 - ,15 mm)
Vôľa výfukového ventilu	.009 - .011 in (,23 - ,28 mm)

Model: 190000	
Zdvihový objem	18.63 ci (305 cc)

Model: 190000	
Vrtanie	3.120 in (79,24 mm)
Zdvih	2.438 in (61,93 mm)
Obsah oleja	26 - 28 oz (,77 - ,83 L)
Typ oleja v redukcii	SAE 30
Množstvo oleja v redukcii	12 oz (,35 L)
Vzdialenosť elektród zapaľovacej sviečky	.030 in (,76 mm)
Uťahovací moment zapaľovacej sviečky	180 lb-in (20 Nm)
Vzduchová medzera armatúry	.010 - .014 in (,25 - ,36 mm)
Vôľa nasávacieho ventilu	.004 - .006 in (,10 - ,15 mm)
Vôľa výfukového ventilu	.004 - .006 in (,10 - ,15 mm)

Výkon motora sa znižuje o 3,5% na každých (1000 stôp) 300 metrov nadmorskej výšky a o 1% na každých (10° F) 5,6° C nad hodnotu (77° F) 25° C. Motor bude spoľahlivo pracovať pri sklone do 15°. Pozrite si návod na obsluhu zariadenia, kde sú uvedené bezpečné prípustné pracovné limity na svahoch.

Servisné diely - Model: 130000, 190000	
Servisný diel	Číslo dielu
Penová vložka vzduchového filtra (Model 130000, Obrázok 14)	797378
Papierová vložka vzduchového filtra (Model 130000, Obrázok 15)	797033
Predfilter (Model 130000, Obrázok 15)	798513
Papierová vložka vzduchového filtra (Model 190000, Obrázok 15)	797032
Predfilter (Model 190000, Obrázok 15)	798795
Papierová vložka vzduchového filtra (Obrázok 16)	474279
Predfilter (Obrázok 16)	491435S
Účinné, moderné aditívum a stabilizátor do paliva	100117, 100120
Zapaľovacia sviečka s odporom	491055
Kľúč pre zapaľovaciu sviečku	19576, 5402
Skúšačka iskry	19368

Odporúčame, aby ste kvôli každej údržbe a servisu motora a dielov motora navštívili ktoréhokoľvek autorizovaného servisného zástupcu Briggs & Stratton.

Výkonové parametre: Celkový výkon jednotlivých benzínových motorov je označovaný v súlade s normou SAE (Spoločnosť automobilových inžinierov) J1940 Postup stanovovania výkonu a krútiaceho momentu malých motorov a určovaný v súlade s normou SAE J1995. Hodnoty krútiaceho momentu sú odvodené z otáčok 2600 ot./min. pri motoroch, ktoré majú na štítku uvedené „rpm“, a 3060 ot./min. pri všetkých ostatných motoroch. Hodnoty výkonu (konská sila) sú odvodené pri 3600 ot./min. Krivky celkového výkonu si môžete pozrieť na stránke www.BRIGGSandSTRATTON.COM. Hodnoty užitočného výkonu sú určené pri namontovanom vzduchovom čističi a výfuku a hodnoty celkového výkonu sú určené bez týchto doplnkov. Skutočný celkový výkon motora bude vyšší ako užitočný výkon motora a bude okrem iného ovplyvnený okolitými prevádzkovými podmienkami a variabilitou jednotlivých motorov. Vzhľadom na veľký počet výrobkov, v ktorých môže byť motor nainštalovaný, benzínový motor nemusí dosahovať menovitý celkový výkon v prípade určitého motorového náradia. Tento rozdiel vzniká kvôli rôznym faktorom vrátane (okrem iného) prvkov motora (vzduchový čistič, výfuk, nabíjanie, chladenie, karburátor, palivové čerpadlo atď.), obmedzení aplikácie, okolitých prevádzkových podmienok (teplota, vlhkosť, nadmorská výška) a variability jednotlivých motorov. Kvôli výrobným a kapacitným obmedzeniam môže spoločnosť Briggs & Stratton motory tejto série nahradiť motorom s vyšším menovitým výkonom.

Záruka

Záruka na motory Briggs & Stratton

Platná od januára 2017

Obmedzená záruka

Spoločnosť Briggs & Stratton garantuje, že počas záručnej lehoty, ktorá je uvedená dole, zdarma opraví alebo vymení každú časť, ktorá je chybná, ak ide o materiálovú alebo výrobnú chybu, alebo kombináciu oboch. Prepravné náklady výrobku predloženého na opravu alebo výmenu podľa tejto záruky musí niesť kupujúci. Táto záruka platí na obdobie a za podmienok stanovených ďalej. Na účely vykonania záručného servisu vyhľadajte najbližšieho autorizovaného servisného predajcu pomocou našej mapy na vyhľadávanie

predajcov na adrese BRIGGSandSTRATTON.COM. Kupujúci sa musí obrátiť na autorizovaného servisného predajcu a poskytnúť mu výrobok na kontrolu a testovanie.

Neexistuje žiadna iná výslovná záruka. Implikované záruky vrátane záruk predajnosti a vhodnosti na konkrétny účel, sú obmedzené na záručnú lehotu uvedenú ďalej alebo v rozsahu povolenom zákonom. Zodpovednosť za náhodné alebo následné škody je vylúčená v rozsahu vylúčenia dovoleného legislatívne. Niektoré štáty alebo krajiny neumožňujú obmedzenia alebo to, ako má dlho implikovaná záruka platiť, pričom niektoré štáty alebo krajiny neumožňujú vylúčenie alebo obmedzenie náhodných alebo následných škôd, a tak sa hore uvedené obmedzenie nemusí na vás vzťahovať. Táto záruka vám dáva konkrétne zákonné práva a taktiež môžete mať ďalšie práva, ktoré sú rôzne v rôznych štátoch a krajinách.⁴

Štandardné záručné podmienky 1, 2, 3

Značka / názov výrobku	Spotrebiteľské použitie	Obchodné použitie
Vanguard™; Komerčná séria	36 mesiacov	36 mesiacov
Motory s liatinovou vložkou valca Dura-Bore™	24 mesiacov	12 mesiacov
Všetky ďalšie motory	24 mesiacov	3 mesiace

¹ Toto sú naše štandardné záručné podmienky, ale niekedy môže existovať doplnkové poistné krytie, ktoré neexistovalo v čase publikácie. Zoznam aktuálnych záručných podmienok pre svoj motor nájdete na stránkach BRIGGSandSTRATTON.COM, alebo sa obráťte na svojho autorizovaného servisného predajcu Briggs & Stratton.

² Neexistuje žiadna záruka na motory na zariadeniach používaných ako zdroje elektrickej energie namiesto elektrárenského rozvodného podniku alebo ako záložné zdroje elektrickej energie na komerčné účely. Motory používané na pretekánie alebo vo vozidlách pre priemysel, alebo prenajímaných vozidlách sú bez záruky.

³ Vanguard namontovaný v záložných generátoroch: 24 mesiacov pre spotrebiteľské použitie, žiadna záruka pre komerčné použitie. Vanguard namontovaný na úžitkových vozidlách: 24 mesiacov pre spotrebiteľské použitie, 24 mesiacov pre komerčné použitie. Komerčná séria s dátumom výroby pred júlom 2017, 24 mesiacov pre spotrebiteľské použitie, 24 mesiacov pre komerčné použitie.

⁴ V Austrálii – Náš tovar sa dodáva so zárukami, ktoré nemôžu byť vylúčené podľa austrálskeho práva na ochranu spotrebiteľov. Máte nárok na výmenu alebo vrátenie peňazí v prípade závažnej poruchy a na náhradu primerane predvídateľných strát alebo škôd. Tiež máte nárok na opravu alebo výmenu tovaru, ak opravený alebo vymenený tovar nedosahuje prijateľnú kvalitu, aj ak porucha takéhoto tovaru nepredstavuje závažnú poruchu. Keď potrebujete záručný servis, v našej mape na vyhľadávanie dodávateľov na webových stránkach BRIGGSandSTRATTON.COM vyhľadajte najbližší autorizovaný servis Briggs & Stratton, alebo zavolajte na telefónne číslo 1300 274 447 alebo pošlite email na adresu salesenquiries@briggsandstratton.com.au, alebo napíšte na normálnu poštovú adresu Briggs & Stratton Australia Pty Ltd, 1 Moorebank Avenue, Moorebank, NSW, Australia, 2170.

Záručná lehota začína plynúť od pôvodného dňa zakúpenia prvým maloobchodným alebo komerčným zákazníkom. „Spotrebiteľské použitie“ znamená používanie maloobchodným spotrebiteľom v rámci osobného, domáceho použitia. „Komerčné použitie“ znamená všetky ostatné použitia, vrátane používania na komerčné účely, zárobkovú činnosť alebo na účely prenajímania. Keď už bol raz motor použitý na komerčné účely, tak pre účely tejto záruky bude považovaný za komerčne používaný motor.

Ušchovajte si doklad o nákupe. Ak počas vykonávania záručného servisu neposkytnete doklad o prvotnom nákupe s uvedeným dátumom, na účel stanovenia záruky sa použije dátum výroby výrobku. Registrácia produktu nie je povinná na získanie záručného servisu na výrobky od spoločnosti Briggs & Stratton.

O vašej záruke

Táto záruka platí iba na chybný materiál alebo nesprávne spracovanie materiálu motora a nie na výmenu, alebo preplatenie zariadenia, na ktorom môže byť motor namontovaný. Táto záruka sa nevzťahuje na bežnú údržbu, nastavenie, alebo normálne opotrebenie a poškodenie. Podobne záruka neplatí, ak bol motor pozmenený alebo upravený, alebo ak bolo poškodené alebo odstránené výrobné číslo motora. Táto záruka neplatí na poškodenie motora alebo problémy s výkonom spôsobené:

1. Použitím dielov, ktoré nie sú originálnymi dielmi spoločnosti Briggs & Stratton;
2. Prevádzkovaním motora, v ktorom je nevhodný, znečistený olej, alebo olej nesprávnej triedy;
3. Používaním znečisteného alebo zvetralého paliva, benzínu s viac než 10 % primiešaného etanolu, alebo používaním alternatívnych palív, ako napríklad skvapalneného plynu alebo zemného plynu, v motoroch, ktoré neboli pôvodne navrhnuté/vyrobené spoločnosťou Briggs & Stratton na používanie týchto alternatívnych palív;
4. Špinou, ktorá vnikla do motora z dôvodu nesprávnej údržby alebo nesprávneho zmontovania vzduchového filtra;
5. Nárazom rotačného noža kosačky na trávu do pevného predmetu, uvoľneným, alebo nesprávne namontovaným adaptérom noža, uvoľneným ozubeným kolesom, alebo inými dielmi mechanicky spojenými s klúčovým hriadelom, alebo príliš silno napnutým klinovým remeňom;

6. Mechanicky pripojenými dielmi alebo zostavami , ako sú spojky, prevody, ovládače zariadenia, na ktorom je namontovaný motor atď., ktoré nie sú dodané spoločnosťou Briggs & Stratton;
7. Prehriatím spôsobeným pokosenou trávou, špinou, alebo hniezdami hľodavcov, ktoré upchajú alebo zanesú chladiace rebrá, alebo priestor zotrvačníka, alebo nedostatočným vzduchovým chladením pracujúceho motora;
8. Nadmernými vibráciami spôsobenými príliš vysokými otáčkami, uvoľneným uchytением motora, uvoľnenými alebo nevyváženými nožmi alebo ozubenými kolesami, alebo nesprávnym pripojením dielov zariadenia, na ktorom je namontovaný motor, ku kľukovému hriadeľu;
9. Nesprávnym používaním, nedostatočnou bežnou údržbou, nesprávnou prepravou, manipuláciou, alebo skladovaním zariadenia, na ktorom je namontovaný motor, alebo nesprávnou montážou motora do zariadenia.

Záručný servis je k dispozícii len prostredníctvom autorizovaných servisných predajcov spoločnosti Briggs & Stratton. Vyhľadajte svoj najbližší autorizovaný servis na mape našich servisov na stránkach BRIGGSandSTRATTON.COM, alebo zavolajte na 1-800-233-3723 (v USA).

80004537 (Rev. C)

Not for
Reproduction

Priložnik vsebuje varnostne informacije, s katerimi vas seznanja z nevarnostmi in tveganji, povezanimi z motorji in kako se jim izogniti. Vsebuje tudi navodila za pravilno uporabo in nego motorja. Ker družba Briggs & Stratton nima vedno podatkov o tem, kateri stroj bo ta motor pogajal, morate prebrati in razumeti ta navodila in navodila stroja. **Originalna navodila shranite za uporabo v prihodnje.**

Opomba: Številke in ilustracije v tem priložniku so navedene le v vednost in se lahko razlikujejo od vašega specifičnega modela. Če imate vprašanja, se obrnite na svojega prodajalca.

Za nadomestne dele ali tehnično pomoč spodaj poleg datuma nakupa zabeležite številko modela, tipa in kodno številko motorja. Te številke se nahajajo na motorju (oglejte si poglavje **Deli in upravljalni vzvodi**).

Datum nakupa:	
Model motorja - Tip - Oprema	
Serijska številka motorja	

Poiščite 2D kodo na nekaterih motorjih. S pomočjo naprave, ki podpira branje 2D kode, si boste lahko ogledali spletno mesto, kjer imate dostop do podpornih informacij za ta izdelek. Prenos podatkov se zaračuna. Nekateri države nimajo na voljo spletnih podpornih informacij.



Informacije za recikliranje

		Vso embalažo, uporabljeno olje in baterije je treba reciklirati v skladu z veljavnimi vladnimi predpisi.
--	--	--

Varnost upravljavca

Simbol z varnostnim opozorilom in opozorilno besedo

Simboli varnostnih opozoril prikazujejo varnostne informacije o tveganjih, ki lahko povzročijo osebne poškodbe. Signalna beseda (NEVARNOST, OPOZORILO ali POZOR) se uporablja z opozorilnim simbolom za opozarjanje na verjetnost in potencialno resnost poškodbe. Poleg tega se lahko simbol za nevarnost uporablja za označevanje vrste nevarnosti.

NEVARNOST opozarja na tveganje, ki bo, če se mu ne izognemo, **povzročilo smrt ali težko poškodbo**.

OPOZORILO opozarja na tveganje, ki bi lahko, če se mu ne izognemo, **vodilo v smrt ali do težke poškodbe**.

POZOR nakazuje tveganje, ki lahko v primeru, če se mu ne izognemo, **povzroči manjšo ali srednje resno poškodbo**.

OBVESTILO nakazuje okoliščine, ki lahko povzročijo škodo na izdelku.

Simboli za nevarnost in pomeni

Simbol	Pomen	Simbol	Pomen
	Varnostni podatki o tveganjih, ki lahko vodijo k osebnim poškodbam.		Pred uporabo ali servisiranjem naprave preberite in upoštevajte uporabniški priložnik.

Simbol	Pomen	Simbol	Pomen
	Nevarnost požara		Nevarnost eksplozije
	Tveganje električnega udara.		Tveganje izpusta strupenih plinov
	Nevarnost zaradi vroče površine		Nevarnost hrupa - Pri daljši uporabi je priporočljiva zaščita za ušesa.
	Nevarnost izmeta predmetov - Nosite zaščitna očala.		Nevarnost eksplozije
	Nevarnost ozeblin		Nevarnost povratnega sunka
	Nevarnost amputacije - gibljivi deli		Nevarne kemikalije
	Nevarnost opeklin zaradi vročine		Jedko

Varnostna sporočila

OPOZORILO

Nekatere komponente v tem izdelku in njegovi povezani pripomočki vsebujejo kemikalije, za katere je v zvezni državi Kalifornija znano, da v določenih količinah povzročajo raka, porodne ali druge reproduktivne poškodbe. Po stiku z njimi si umijte roke.

OPOZORILO

Emisije motorja tega izdelka vsebujejo kemikalije, za katere je v zvezni državi Kalifornija znano, da v določenih količinah povzročajo raka, porodne ali druge reproduktivne poškodbe.

OPOZORILO

Briggs & Strattonovi motorji niso zasnovani in namenjeni za pogon: kartov za prosti čas; gokartov; otroških, rekreativnih ali športnih terenskih vozil (ATV); motornih koles; vozil na zračno blazino; zrakoplovnih izdelkov; ali vozil, uporabljenih na tekmovanjih, ki jih ni odobrilo podjetje Briggs & Stratton. Za informacije o izdelkih za tekmovalno dirkanje si oglejte www.briggsracing.com. Za uporabo z večnamenskimi vozili in štirikolesniki s sopotnikovim sedežem vzporedno z voznikovim (side-by-side) se obrnite na Briggs & Strattonov center za svetovanje glede uporabe motorjev (1-866-927-3349). Napačna uporaba motorja lahko pripelje do hudih poškodb ali smrti.

OPOZORILO

Gorivo in njegovi hlapi so izjemno vnetljivi in eksplozivni.

Ogenj ali eksplozija lahko povzročita težke opekline ali smrt.

Med dolivanjem goriva

- Izklopite motor in pustite, da se hladi vsaj 2 minuti, preden odstranite pokrovček rezervoarja za gorivo.
- Rezervoar za gorivo polnite zunaj ali v dobro zračenem prostoru.
- Rezervoarja za gorivo ne napolnite preveč. Gorivo ne sme segati prek spodnjega dela vratu rezervoarja za gorivo, da omogočite njegovo širjenje.

- Gorivo hranite proč od iskrenja, odprtega plamena, kontrolnih lučk, toplote in drugih vnetljivih virov.
- Pogosto preverjajte, ali so cevke, rezervoar, pokrovček in priključki za gorivo razpokani oziroma ali kje puščajo. Po potrebi jih zamenjajte.
- Če se gorivo razlije, počakajte, da izhlapi, preden zaženete motor.

Pri zagonu motorja

- Zagotovite, da so vžigalna svečka, dušilec, pokrovček rezervoarja za gorivo in zračni filter (če obstaja) na svojem mestu in pritrjeni.
- Ne zaganjajte motorja, če svečka ni vstavljena.
- Če motor zaliva, ročico za hladen zagon (če je nameščena) prestavite v položaj ODPRI/ZAŽENI, uplinjač (če je nameščen) prestavite v položaj HITRO in zaganjajte, dokler se motor ne zažene.

Med uporabo opreme

- Motorja ali opreme ne nagibajte pod kotom, ki bi povzročil razlivanje goriva.
- Ne uporabljajte dušilne lopute uplinjača za zaustavitev motorja.
- Motorja ne zaganjajte oziroma ga ne pustite teči, kadar je odstranjen sestav zračnega filtra (če obstaja) ali zračni filter (če obstaja).

Pri menjavi olja

- Če olje praznite skozi cev za dolivanje olja na vrhu, mora biti rezervoar za gorivo prazen, saj bi gorivo lahko izteklo in povzročilo požar ali eksplozijo.

Pri nagibanju enote zaradi vzdrževanja

- Pri vzdrževalnih delih, ki zahtevajo nagib enote, mora biti rezervoar za gorivo, če je nameščen na motorju, prazen, sicer lahko gorivo izteče in povzroči požar ali eksplozijo.

Pri prevozu opreme

- Napravo prevažajte s PRAZNIM rezervoarjem ali z ZAPRTIM ventilom za gorivo.

Pri shranjevanju goriva ali stroja z gorivom v rezervoarju

- Hranite stran od ognjišč, peči, grelcev za vodo ali drugih naprav, ki imajo kontrolno lučko ali drugi vir vžiga, ker lahko vžgejo hlape goriva.



OPOZORILO

Med zaganjanjem motorja pride do iskrenja.

Iskrenje lahko vžge bližnje vnetljive pline.

Lahko pride do eksplozije in požara.

- Če v okolici pušča zemeljski ali utekočinjeni naftni plin, ne zaganjajte motorja.
- Ne uporabljajte zagonjskih tekočin pod tlakom, ker so hlapi vnetljivi.



OPOZORILO

NEVARNOST ZARADI STRUPENIH PLINOV. Izpuh motorja vsebuje ogljikov monoksid, strupen plin, ki vas lahko ubije v nekaj minutah. Plina **NE MORETE** videti, vonjati ali okusiti. Tudi če ne zaznate vonja izpušnih plinov, ste lahko kljub temu izpostavljeni ogljikovemu monoksidu. Če vam med uporabo tega izdelka postane slabo, oziroma začutite omotico ali slabotnost, pojdite **TAKOJ** na svež zrak. Poiščite zdravniško pomoč. Obstaja nevarnost zastrupitve z ogljikovim monoksidom.

- Izdelek uporabljajte SAMO na prostem, daleč stran od oken, vrat ali ventilacijskih jaškov. S tem boste zmanjšali tveganje povečanja koncentracije ogljikovega monoksida, ki bi lahko zašel v zaprte prostore.
- Namestite baterijske alarme za ogljikov monoksid ali alarme ogljikovega monoksida za vtičnico z baterijo v rezervi skladno z navodili izdelovalca. Dimni alarmi ne morejo zaznati ogljikovega monoksida.
- Izdelka NE zaganjajte doma, v garažah, kletah, kletah z nizkim stropom, utah ali drugih delno zaprtih prostorih, tudi če ima prostor dober prezračevalni sistem ali odprta okna in vrata. Ogljikov monoksid se v zaprtih prostorih lahko zelo hitro skoncentrira in ostane v prostoru več ur po tistem, ko ste ta izdelek že davno zaustavili.
- Ta izdelek naj bo VEDNO postavljen tako, da bo veter pihal stran od njega, izpuh motorja pa naj bo obrnjen stran od mest, kjer se nahajajo ljudje.



OPOZORILO

Hitri povratni vlek zaganjalne vrvi (povratni sunek) potegne roko proti motorju hitreje, kot lahko spustite ročko.

Zaradi tega lahko pride do zlomov kosti, prelomov, modric ali zvinov.

- Ko zaganjate motor, počasi vlecite zaganjalno vrv, dokler ne začutite upora, nato pa jo povlecite hitro, da preprečite povratni sunek.
- Pred zaganjanjem motorja odstranite vso zunanjo opremo/bremena motorja.
- Neposredno priključeni sestavni deli stroja, kot so na primer rezila, rotorji, jermenice, verižniki itd., morajo biti dobro pritrjeni.



OPOZORILO

Vrteči se deli lahko ujamejo ali ukleščijo roke, noge, lase, oblačila in modne dodatke.

Lahko pride do travmatične amputacije ali raztrganin.

- Med delovanjem opreme morajo biti nameščena varovala.
- Pazite, da vaše roke in noge ne pridejo blizu vrtečih se delov.
- Sprnite si dolge lase in odstranite nakit.
- Ne nosite ohlapnih oblačil, opletajočih vrvic ali predmetov, ki bi se lahko ujeli.



OPOZORILO

Delovanje motorja proizvaja toploto. Deli motorja, posebej dušilec, se močno segrejejo.

Ob stiku lahko pride do težkih opeklin.

Vnetljivi odpadki, kot so listje, trava, dračje itd., se lahko vnamejo.

- Pustite, da se dušilec, valj motorja in hladilna rebra ohladijo, preden se jih dotaknete.
- Iz območja okoli dušilca in valja odstranite odpadne delce.
- Po Oddelku 4442 kalifornijskega Zakona o javnih virih (Public Resource Code) je motorne naprave prepovedano uporabljati na vseh gozdnih, grmičastih in travnatih površinah, če nameščeni izpušni sistem ni opremljen z lovilcem isker, ki je določen v oddelku 4442, in ustrezno vzdrževan v dobrem delovnem stanju. Druge zvezne države ali jurisdikcije imajo lahko podobne zakone. Obrnite se na proizvajalca, prodajalca ali trgovca originalne opreme, da vam priskrbi originalni lovilec isker, zasnovan za izpušni sistem, ki je nameščen na tem motorju.



OPOZORILO

Nenamerno iskrenje lahko povzroči ogenj ali električni udar.

Nenamerni zagon lahko povzroči zapletanje, travmatično amputacijo ali raztrganine.

Nevarnost požara

Pred nastavljanjem ali popravili:

- Odklopite kabel vžigalne svečke in ga hranite proč od svečke.
- Odklopite negativni pol akumulatorja (samo pri motorjih z električnim zagonom).
- Uporabljajte le ustrezno orodje.
- Vrtilne frekvence motorja ne povečujte s spreminjanjem krmilne vzmeti, povezav ali drugih delov.
- Nadomestni deli morajo biti enaki in nameščeni v enakem položaju kot prvotni deli. Zaradi neoriginalnih delov lahko pride do slabšega delovanja, okvare enote in poškodb.
- Vztrajnika ne udarjajte s kladivom ali trdim predmetom, ker lahko pozneje med delovanjem razpade.

Pri preizkušanju iskrenja:

- Uporabljajte odobreno napravo za preizkušanje vžigalne svečke.
- Iskrenja ne preverjajte, kadar so svečke odstranjene.

Deli in upravljalni vzvodi










Upravljalni vzvodi motorja

Primerjajte sliko (slika: 1, 2, 3, 4) z motorjem, da se seznanite z mesti različnih delov in upravljalnih vzvodov.

- A. Identifikacijske številke motorja **Model - Tip - Koda**
- B. Vžigalna svečka
- C. Rezervoar za gorivo in pokrov
- D. Zračni filter
- E. Ročica zaganjalne vrvi
- F. Odprtina za dolivanje olja in merilna palica za olje
- G. Čep za izpust olja
- H. Izpuh, ščitnik izpuha (če obstaja), lovilec isker (če obstaja)
- I. Regulator dušilne lopute
- J. Regulator plina (če obstaja)
- K. TransportGuard™ - Vzvod za dotok goriva/vžig
- L. Mrežica dovoda zraka
- M. Reduktor (če obstaja)
- N. Stikalo za zaustavitev (če obstaja)
- O. Stikalo za električni zagon, če obstaja ¹

¹ Nekateri motorji in stroji imajo regulatorje za daljinsko upravljanje. Za mesto in delovanje regulatorjev si oglejte priročnik stroja.

Simboli za upravljanje motorja in njihovi pomeni

Simbol	Pomen	Simbol	Pomen
	Vrtljaji motorja - VISOKI		Vrtljaji motorja - NIZKI
	Vrtljaji motorja - ZAUSTAVITEV		VKLOP - IZKLOP
	Zagon motorja - ZAPRTA dušilna loputa		Zagon motorja - ODPRTA dušilna loputa
	Pokrov za gorivo Zaporni ventil za gorivo - ODPRT		Zaporni ventil za gorivo - ZAPRT
	Raven goriva - največja Ne dolijte preveč olja		

Delovanje

Priporočila za olje

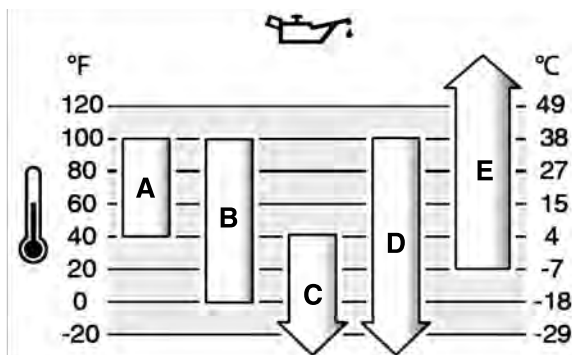
Prostornina posode za olje: Oglejte si poglavje **Specifikacije**.

OPOMBA

Podjetje Briggs & Stratton je motor dobavilo brez olja. Izdelovalci ali prodajalci opreme so morda v motor dolili olje. Pred prvim zagonom motorja preverite raven olja in dolijte olje v skladu z navodili v tem priročniku. Če zažene motor brez olja, se ta poškodeva tako, da ga ni več mogoče popraviti, in v tem primeru garancija ne velja.

Za najboljšo učinkovitost priporočamo uporabo garancijsko potrjenih olj podjetja Briggs & Stratton. Druga visokokakovostna detergentna olja so sprejemljiva, če so razvrščena kot olja SF, SG, SH, SJ ali boljša. Ne uporabljajte posebnih dodatkov.

Glede na zunanje temperature se določi ustrezna viskoznost olja za motor. S pomočjo diagrama izberite najboljšo viskoznost za pričakovan temperaturni razpon na prostem. Motorji, ki so nameščeni v večini zunanjih strojev, so dobro združljivi s sintetičnim oljem 5W-30. Strojem, ki delujejo pri visokih temperaturah, najboljšo zaščito zagotavlja sintetično olje Vanguard™ 15W-50.



A	SAE 30 - Pri temperaturah pod 4 °C (40 °F) bo uporaba olja SAE 30 povzročila težji zagon.
B	10W-30 - Nad 27 °C (80 °F) bi uporaba olja 10W-30 lahko povzročila povečano porabo olja. Pogosteje preverjajte raven olja.
C	5W-30
D	Sintetično olje 5W-30
E	Sintetično olje Vanguard™ 15W-50

Preverjanje ravni olja

Oglejte si sliko 5

Pred dolivanjem ali preverjanjem olja

- Motor mora stati naravnost.
- Z območja odprtine za dolivanje olja očistite umazanijo.

1. Izvlecite merilno palico (F, slika 5) in jo obrišite s čisto krpo.
2. Vstavite merilno palico za olje (A, slika 5). **Ne smete je obračati ali privijati.**
3. Izvlecite merilno palico za olje in preverite raven olja. Olje mora segati do oznake FULL (B, slika 5) na merilni palici.
4. Če je olja premalo, ga počasi nalivajte v odprtino za dolivanje olja (C, slika 5). Dolijte do oznake.
5. Vstavite in privijte merilno palico za olje (A, slika 5).

Sistem za nadzor prenizke ravni olja (če obstaja)

Nekateri motorji so opremljeni s tipalom za prenizko raven olja. Če je raven olja prenizka, bo tipalo vklopilo opozorilno lučko ali pa zaustavilo motor. Zaustavite motor in sledite tem korakom, preden motor ponovno zaženete.

- Motor mora stati naravnost.
- Preverite raven olja. Oglejte si poglavje Preverjanje ravni olja.
- Če je raven olja nizka, dolijte ustrezno količino olja. Zaženite motor in se prepričajte, da opozorilna lučka (če obstaja) ne gori.
- Če raven olja ni prenizka, motorja ne zaganjajte. Za odpravo težav z oljem se obrnite na pooblaščenega trgovca Briggs & Stratton.

Priporočila za gorivo

Gorivo mora izpolnjevati naslednje zahteve:

- Čist, svež neosvinčen bencin.
- Vsaj 87-oktanski/87 AKI (91 RON). Za uporabo na visokih nadmorskih višinah glejte spodaj.
- Sprejemljiv je bencin z vsebnostjo etanola do 10 % (gasohol).

OPOMBA Ne uporabljajte neodobrenih bencinov, kot sta E15 in E85. Ne mešajte olja v bencin in ne spreminjajte motorja za delovanje na alternativna goriva. Zaradi uporabe neodobrenih goriv se poškodujejo deli motorja, česar garancija ne krije.

Da bi sistem za gorivo zaščitili pred nabiranjem usedlin, v gorivo vmešajte stabilizator za gorivo. Oglejte si Shranjevanje. Vsa goriva niso enake kakovosti. Če se pojavijo težave pri zagonu ali delovanju, zamenjajte dobavitelja ali znamko goriva. Ta motor je odobren za delovanje na bencin. Sistem za nadzor emisij za ta motor je EM (Spremembe motorja).

Visoka nadmorska višina

Na višinah več kot 1524 metrov (5000 čevljev) morate uporabljati najmanj 85-oktanski bencin/85 AKI (89 RON).

Pri motorjih z uplinjačem je za ohranitev zmogljivosti potrebna nastavitve za visoke nadmorske višine. Delovanje brez teh nastavitvev bo povzročilo zmanjšanje učinkovitosti, povečano porabo goriva in povečane emisije. Za informacije o prilagoditvi za visoke nadmorske višine se obrnite na pooblaščenega prodajalca Briggs & Stratton. Delovanje motorja pri nadmorskih višinah pod 762 metri s predelavo za uporabo na visoki nadmorski višini ni priporočljivo.

Pri motorjih z elektronskim vbrzganjem goriva predelava za uporabo na visoki nadmorski višini ni potrebna.

Dolivanje goriva

Oglejte si sliko 6



OPOZORILO

Gorivo in njegovi hlapi so izjemno vnetljivi in eksplozivni.

Ogenj ali eksplozija lahko povzročita težke opekline ali smrt.

Napotki za dolivanje goriva

- Izključite motor in pustite, da se le-ta ohlaja vsaj 2 minuti, preden odstranite pokrovček rezervoarja za gorivo.
 - Rezervoar za gorivo polnite zunaj ali v dobro zračenem prostoru.
 - Rezervoarja za gorivo ne napolnite preveč. Da omogočite širjenje goriva, nivo goriva ne sme segati prek spodnjega dela vratu rezervoarja za gorivo.
 - Gorivo hranite proč od iskrenja, odprtega plamena, kontrolnih lučk, toplote in drugih vnetljivih virov.
 - Cevke, rezervoar, pokrovček in napeljavo za gorivo pogosto pregledujte, da morda ni razpok ali kje ne puščajo. po potrebi jih zamenjajte;
 - Če se gorivo razlije, počakajte, da izhlapi, preden zaženete motor.
- Očistite umazanijo in smeti na površini okoli pokrova rezervoarja. Odstranite pokrovček rezervoarja za gorivo.
 - Rezervoar za gorivo (A, slika 6) napolnite z gorivom. Da omogočite širjenje goriva, ta ne sme segati prek spodnjega dela vratu rezervoarja za gorivo (B).
 - Ponovno namestite pokrovček rezervoarja za gorivo.

Zagon in zaustavitev motorja

Oglejte si sliko: 7, 8

Zagon motorja



OPOZORILO

Hitri povratni vlek zaganjalne vrvi (povratni sunek) potegne roko proti motorju hitreje, kot lahko spustite ročko.

Lahko pride do zloma kosti, zmečkanin ali izpaha.

- Ko zaganjate motor, počasi vlecite zaganjalno vrv, dokler ne začutite upora, nato pa jo povlecite hitro, da preprečite povratni sunek.



OPOZORILO

Gorivo in njegovi hlapi so izjemno vnetljivi in eksplozivni.

Ogenj ali eksplozija lahko povzroči težke opekline ali smrt.

Pri zagonu motorja

- Poskrbite, da bodo vžigalna svečka, izpuh, pokrovček rezervoarja za gorivo in zračni filter (če obstaja) na svojem mestu in pritrjeni.
- Ne zaganjajte motorja, če svečka ni vstavljena.

- Če gorivo zalije motor, nastavite dušilno loputo (če obstaja) v položaj OPEN/RUN, regulator plina (če obstaja) premaknite v položaj FAST in zaganjajte, dokler se motor ne zažene.



OPOZORILO

NEVARNOST ZARADI STRUPENIH PLINOV. Izpušni plin iz motorja vsebuje ogljikov monoksid, strupen plin, ki je lahko hitro usoden. Plina NE vidite, ne vohate in ne okusite. Tudi če ne zaznate vonja izpušnih plinov, ste lahko kljub temu izpostavljeni ogljikovemu monoksidu. Če vam med uporabo tega izdelka postane slabo, se vam začne vrteti ali postanete šibki, ga ugasnite in pojdite TAKOJ na svež zrak. Obiščite zdravnika. Obstaja nevarnost zastrupitve z ogljikovim monoksidom.

- S tem izdelkom upravljajte LE zunaj, daleč stran od oken, vrat ali prezračevalnikov, da zmanjšate nevarnost kopičenja ogljikovega monoksida in da ta ne prehaja na mesta, kjer se nahajajo ljudje.
- Namestite baterijske alarme za ogljikov monoksid ali alarme ogljikovega monoksida za vtičnico z baterijo v rezervi skladno z navodili izdelovalca. Alarmne naprave za zaznavanje dima ne morejo zaznati ogljikovega monoksida.
- Izdelka NE zaganjajte v zaprtih ali delno zaprtih prostorih, tudi če ima prostor dober prezračevalni sistem ali odprta okna in vrata. Ogljikov monoksid se v zaprtih prostorih lahko zelo hitro skoncentrira in ostane v prostoru več ur po tistem, ko ste motor že davno zaustavili.
- Ta izdelek naj bo VEDNO postavljen tako, da bo veter pihal stran od njega, izpuh motorja pa naj bo obrnjen stran od mest, kjer se nahajajo ljudje.

OPOMBA Podjetje Briggs & Stratton dobavi motorje brez olja. Pred zagonom motorja dolijte olje v skladu z navodili v tem priročniku. Če zaženete motor brez olja, se le-ta poškoduje in v tem primeru garancija ne velja.

Opomba: * Stroj ima morda regulatorje za daljinsko upravljanje. Za mesto in delovanje regulatorjev si oglejte priročnik stroja.

- Preverite motorno olje. Oglejte si poglavje **Preverjanje ravni olja**.
- Poskrbite, da bodo pogonski regulatorji, če obstajajo, sproščeni.
- Vzvod za dotok goriva/vžig (A, slika 7) premaknite v položaj za vklop/zagon.
- Regulator plina (B, slika 7), če obstaja, premaknite v položaj FAST. Med delovanjem motorja naj bo regulator plina v položaju za hitro delovanje.
- Regulator dušilne lopute (C, slika 7, 8) premaknite v ZAPRT položaj.

Opomba: Dušilna loputa običajno ni potrebna, če ponovno zaganjate topel motor.

- Stikalo za zaustavitev (E, slika 8), če obstaja, premaknite v položaj za vklop.
- Povratni zaganjalnik, če obstaja:** Dobro primite ročico zaganjalne vrvi (D, slika 7, 8). Počasi jo vlecite, dokler ne začutite upora, nato jo povlecite hitro.



OPOZORILO

Zaradi hitrega povratnega vleka zaganjalne vrvi (povratni sunek) potegne roko proti motorju hitreje, kot lahko spustite zaganjalno vrv. Lahko pride do zloma kosti, zmečkanin ali izpaha. Ko zaganjate motor, počasi vlecite zaganjalno vrv, dokler ne začutite upora, nato pa jo povlecite hitro, da preprečite povratni sunek.

- Električni zagon, če obstaja:** Stikalo za električni zagon (F, slika 8) obrnite v položaj za vklop/zagon.

OPOMBA Da bi podaljšali življenjsko dobo zaganjalnika, napravo zaganjajte v kratkih zagonskih ciklih (največ po pet sekund). Med intervali zaganjanja počakajte eno minuto.

- Ko se motor ogreje, obrnite ročico za hladen vžig (C, slika 7, 8) v odprt položaj.

Opomba: Če se motor po več poskusih zagona ne zažene, se obrnite na krajevne trgovca ali pojdite na VanguardEngines.com ali pokličite **1-800-999-9333** (v ZDA).

Zaustavitev motorja



OPOZORILO

Gorivo in njegovi hlapi so izjemno vnetljivi in eksplozivni.

Ogenj ali eksplozija lahko povzroči težke opekline ali smrt.

- Za zaustavitev motorja ne uporabljajte dušilne lopute uplinjača.

- Stikalo za zaustavitev, če obstaja:** Stikalo za zaustavitev (E, slika 8) premaknite v položaj za izklop.
Vzvod za dotok goriva/vžig, če obstaja: Vzvod za dotok goriva/vžig (A, slika 7) premaknite v položaj za zaustavitev.
- Električni zagon, če obstaja:** Odstranite ključ. Ključ shranite izven dosega otrok.

Vzdrževanje

OPOMBA Če motor med vzdrževanjem nagnete, mora biti rezervoar za gorivo, če je nameščen na motor, prazen, stran z vžigalno svečko pa mora biti zgoraj. Če rezervoar za gorivo ni prazen in bo motor nagnjen, ga bo morda težko zagnati, ker olje ali bencin onesnažita zračni filter in/ali vžigalno svečko.



OPOZORILO

Pri vzdrževalnih delih, ki zahtevajo nagib enote, mora biti rezervoar za gorivo prazen, ker lahko v nasprotnem primeru gorivo izteče in povzroči požar ali eksplozijo.

Priporočamo, da se obrnete na katerega koli pooblaščenega trgovca Briggs & Stratton za vsa vzdrževalna dela in servisiranje motorja in njegovih delov.

OPOMBA Za pravilno delovanje morajo vsi sestavni deli motorja ostati na svojem mestu.



OPOZORILO

Nenamerno iskrenje lahko povzroči ogenj ali električni udar.

Nenamerni zagon lahko povzroči zapletanje, travmatično amputacijo ali rano.

Nevarnost požara

Pred nastavljanjem ali popravili:

- Snemite kabel vžigalne svečke in ga hranite proč od svečke.
- Odklopite negativni pol akumulatorja (samo pri motorjih z električnim zagonom).
- Uporabljajte le pravo orodje.
- Vrtilne frekvence motorja ne povečujte s spreminjanjem krmilne vzmeti, povezav ali drugih delov.
- Nadomestni deli morajo biti enaki in nameščeni v enakem položaju kot originalni deli. Zaradi neoriginalnih delov lahko pride do slabšega delovanja, okvare enote in poškodb.
- Vztrajnika ne udarjajte s kladivom ali trdim predmetom, ker lahko kasneje med delovanjem razpade.

Pri preizkušanju iskrenja:

- Uporabljajte odobreno napravo za preizkušanje vžigalne svečke.
- Iskrenja NE preverjajte z odstranjeno svečko.

Servis delov za nadzor emisij

Vzdrževalna dela, zamenjave ali popravila naprav in sistemov za nadzor emisij lahko izvrši vsaka poslovalnica za popravila izvencestnih motorjev ali posameznik. Če pa želite »brezplačen« servis delov za nadzor emisij, ga mora izvršiti s strani tovarne pooblaščen trgovec. Oglejte si izjave o nadzoru emisij.

Razpored vzdrževanja

Po prvih 5-ih urah
<ul style="list-style-type: none"> • Zamenjajte olje
Vsaki 8 ur ali dnevno
<ul style="list-style-type: none"> • Preverite raven motornega olja • Očistite območje okrog izpuha in upravljalnih vzvodov • Očistite mrežico dovoda zraka
Vsaki 25 ur ali letno
<ul style="list-style-type: none"> • Očistite zračni filter ¹ • Očistite predfilter ¹
Vsaki 50 ur ali letno

- Zamenjava motornega olja
- Servisirajte izpušni sistem

Vsaki 100 ur

- Zamenjajte olje reduktorja (če obstaja)

Letno

- Zamenjajte vžigalno svečko
- Zamenjajte zračni filter
- Zamenjajte predfilter
- Servisirajte sistem za gorivo
- Servisirajte hladilni sistem ¹
- Preverite režo ventila ²

¹ V prašnih razmerah ali ob prisotnosti delcev v zraku očistite večkrat.

² Ni potrebno, razen če opazite težave pri delovanju motorja.

Uplinjač in vrtljaji motorja

Uplinjača ali vrtljajev motorja ne nastavljajte sami. Uplinjač je tovarniško nastavljen za učinkovito delovanje v večini razmer. Vrtljajev motorja ne spreminjajte s spreminjanjem krmilne vzmeti, povezav ali drugih delov. Če so potrebne kakršnekoli nastavitve, se za servisno pomoč obrnite na pooblaščen servisni center podjetja Briggs & Stratton.

OPOMBA Proizvajalec stroja določi najvišje vrtljaje motorja, nameščenega na stroj. Ne prekoračite teh vrtljajev. Če niste prepričani, kakšna je najvišja hitrost stroja ali na kakšne vrtljaje je motor tovarniško nastavljen za delovanje, se za pomoč obrnite na pooblaščen servisno delavnico Briggs & Stratton. Za varno in pravilno delovanje stroja mora vrtljaje motorja nastaviti le usposobljen strokovnjak.

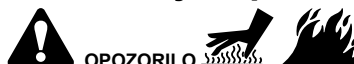
Zamenjava vžigalne svečke

Oglejte si sliko 9

Preverite razmak (A, slika 9) z merilnim lističem (B). Po potrebi razmak ponastavite. Vžigalno svečko namestite in privijte do priporočenega zateznega momenta. Za nastavitve razmaka ali zatezni moment si oglejte poglavje Specifikacije.

Opomba: *Na nekaterih področjih krajevna zakonodaja zahteva uporabo uporovne svečke za slabljenje signalov vžiga. Če je bil motor v začetku opremljen z uporovno svečko, uporabite isto vrsto svečke za zamenjavo.

Servisiranje izpušnega sistema



OPOZORILO

Tek motorja proizvaja toploto. Deli motorja, posebej izpuh, se močno segrejejo.

Ob dotiku lahko pride do težkih opeklin.

Vnetljivi odpadki, kot so listje, trava, dračje itd., se lahko vnamejo.

- Pustite, da se izpuh, valj motorja in hladilna rebra ohladijo, preden se jih dotaknete.
- Odstranite material, ki se je nabral na območju izpuha in valja.
- Uporaba stroja na podlagi, prekriti z zemljo, grmičevjem ali travo, predstavlja kršitev Zakonika o o javnih virih Kalifornije (California Public Resource Code), Oddelek 4442, razen če je izpušni sistem opremljen z varovalom pred iskrami, kot je opredeljeno v Poglavju 4442, ki je vzdrževano v funkcionalnem stanju. Druge države ali zvezne oblasti imajo lahko podobne zakone. Obrnite se na proizvajalca, pooblaščenega prodajalca ali zastopnika originalne opreme, da vam priskrbi originalni lovilec isker za izpušni sistem, ki je nameščen na motorju.

Odstranite material, ki se je nabral na izpuhu in valju. Preglejte izpuh zaradi morebitnih razpok, zarjavelosti ali drugih poškodb. Odstranite lovilec isker, če obstaja, in preverite morebitne poškodbe ali nakopičenost ogljika. Če odkrijete poškodbe, pred začetkom uporabe namestite nadomestne dele.



OPOZORILO

Nadomestni deli morajo biti enaki in nameščeni v enakem položaju kot originalni deli. Zaradi neoriginalnih delov lahko pride do slabšega delovanja, okvare enote in poškodb.

Zamenjava motornega olja

Oglejte si sliko: 10, 11

Uporabljeno olje je nevaren odpadni proizvod in ga je treba odlagati na pravilen način. Ne odlagajte ga z gospodinjskimi odpadki. Za varno odlaganje/recikliranje se obrnite na krajevne oblasti, servisni center ali pooblaščenega trgovca.

Odstranjevanje olja

1. Ob ugasnjenem, a še vedno toplem motorju snemite kabel vžigalne svečke (D, slika 10) in ga hranite proč od svečke (E).
2. Izvlecite merilno palico za olje (A, slika 11).
3. Odstranite čep za izpust olja (F, slika 11). Olje izpustite v odobreno posodo.

Opomba: Na motor lahko namestite poljuben čep za izpust olja (G, slika 11).

4. Po izpustu olja namestite in privijte čep za izpust olja (F, slika 11).

Dolivanje olja

- Motor mora stati naravnost.
- Z območja odprtine za dolivanje olja očistite umazanijo.
- Za količino olja si oglejte poglavje **Specifikacije**.

1. Izvlecite merilno palico (A, slika 11) in jo obrišite s čisto krpo.
2. Počasi nalivajte olje v odprtino za dolivanje olja (C, slika 11). Dolijte do oznake.
3. Vstavite merilno palico (A, slika 11). **Ne smete je obračati ali privijati.**
4. Izvlecite merilno palico za olje in preverite raven olja. Olje mora segati do oznake FULL (B, slika 11) na merilni palici.
5. Vstavite in privijte merilno palico za olje (A, slika 11).
6. Priključite kabel vžigalne svečke (D, slika 10) na vžigalno svečko (E).

Zamenjava olja reduktorja

Oglejte si sliko: 12, 13

Reduktor 6:1 (slika 12)

Če ima motor reduktor 6:1, opravite servis po naslednjem postopku:

1. Odstranite čep odprtine za dolivanje olja (A, slika 12) in čep za preverjanje ravni olja (B).
2. Odstranite čep odprtine za izpust olja (C, slika 12) in olje odlijte v ustrezno posodo.
3. Ponovno namestite in privijte čep odprtine za izpust olja (F, slika 12).
4. Reduktor napolnite tako, da počasi vlivate olje za reduktor (oglejte si poglavje **Specifikacije**) v odprtino za dolivanje olja (D, slika 12). Olje nalivajte toliko časa, dokler olje ne priteče iz odprtine za preverjanje ravni olja (E).
5. Ponovno vstavite in privijte čep za preverjanje ravni olja (B, slika 12).
6. Ponovno vstavite in privijte čep odprtine za dolivanje olja (A, slika 12).

Opomba: Čep odprtine za dolivanje olja (A, slika 12) ima odzračevalno odprtino (F). Namestiti ga morate na vrh okrova reduktorja, kot je prikazano.

Reduktor 2:1 (slika 13)

Pri reduktorju 2:1 (G, slika 13) menjava olja ni potrebna.

Servisiranje zračnega filtra

Oglejte si sliko: 14, 15, 16



OPOZORILO

Gorivo in njegovi hlapi so izjemno vnetljivi in eksplozivni.

Ogenj ali eksplozija lahko povzroči težke opekline ali smrt.

- Motorja ne zaganjajte oziroma ga ne pustite teči, ko je odstranjen sestav zračnega filtra (če obstaja) ali zračni filter (če obstaja).

OPOMBA Za čiščenje filtra ne uporabljajte zraka pod tlakom ali topil. Zrak pod tlakom lahko poškoduje filter, topila pa ga raztopijo.

Servisne zahteve si oglejte v **Razporedu vzdrževanja**.

Različni modeli uporabljajo penasti ali papirnati filter. Nekateri modeli so opremljeni tudi s predfiltrim, ki ga je mogoče oprati in ponovno uporabiti. Primerjajte ilustracije v tem priročniku z vrsto, nameščeno na vaš motor, in servisirajte po napotkih.

Penasti zračni filter

1. Sprostite spojna vijaka (A, slika 14).
2. Odstranite pokrov (B, slika 14).
3. Odstranite spojni vijak (D, slika 14) in podložko (E).
4. Da delci ne bi prišli v uplinjač, s podlage zračnega filtra (G) previdno odstranite penasti vložek (C, slika 14).
5. Odstranite pomožno posodico (F, slika 14) iz penastega vložka (C).
6. Penasti vložek (C, slika 14) operite s tekočim detergentom in vodo. Stisnite do suhega v čisti krpi.
7. Na penasti vložek (C, slika 14) nakapajte čisto motorno olje. Za odstranitev odvečnega motornega olja, penasti vložek stisnite v čisto krpo.
8. Vstavite pomožno posodico (F, slika 14) v penasti vložek (C).
9. Namestite penasti vložek (C, slika 14) na podlago zračnega filtra (G) in na vijak (H). Poskrbite, da bo penasti vložek pravilno nameščen na podlago zračnega filtra in ga pritrdite s podložko (E) in spojnim vijakom (D).
10. Namestite pokrov (B, slika 14) in ga pritrdite s spojnim vijakom (A). Spojni vijak mora biti dobro privit.

Papirnati zračni filter

1. Sprostite spojna vijaka (A, slika 15).
2. Odstranite pokrov (B, slika 15).
3. Odstranite spojni vijak (E, slika 15).
4. Da delci ne bi prišli v uplinjač, s podlage zračnega filtra (F) previdno odstranite predfilter (D, slika 15), če obstaja, in filter (C).
5. Umazanijo očistite tako, da s filtrom (C, slika 15) rahlo potolčete ob trdo površino. Če je filter prekomerno umazan, ga zamenjajte z novim.
6. Odstranite predfilter (D, slika 15), če obstaja, s filtra (C).
7. Predfilter (D, slika 15) operite s tekočim detergentom in vodo. Pustite, da se povsem posuši na zraku. **Ne** oljite predfiltra.
8. Suh predfilter (D, slika 15), če obstaja, namestite na filter (C).
9. Namestite tesnilno podložko (H, slika 15), filter (C) in predfilter (D), če obstaja, na podlago zračnega filtra (F) in na vijak (G). Poskrbite, da se filter ustrezno prilega podlagi in da je pritrjen s spojnim vijakom (E).
10. Namestite pokrov (B, slika 15) in ga pritrdite s spojnim(a) vijakom(a) (A). Spojni vijak mora biti dobro privit.

Papirnati zračni filter

1. Sprostite spojna vijaka (D, slika 16).
2. Odstranite pokrov (A, slika 16).
3. Odstranite predfilter (C, slika 16), če obstaja, in filter (B).
4. Umazanijo očistite tako, da s filtrom (B, slika 16) rahlo potolčete ob trdo površino. Če je filter prekomerno umazan, ga zamenjajte z novim.
5. Predfilter (C, slika 16), če obstaja, operite s tekočim detergentom in vodo. Pustite, da se povsem posuši na zraku. **Ne** oljite predfiltra.
6. Namestite suh predfilter (C, slika 16), če obstaja, in filter (B).
7. Namestite pokrov (A, slika 16) in ga pritrdite s spojnim(a) vijakom(a) (D). Spojni vijak mora biti dobro privit.

Servisiranje sistema za gorivo

Oglejte si sliko: 17, 18



OPOZORILO

Gorivo in njegovi hlapi so izjemno vnetljivi in eksplozivni.

Ogenj ali eksplozija lahko povzroči težke opekline ali smrt.

- Gorivo hranite proč od iskenja, odprtega plamena, kontrolnih lučk, toplote in drugih vnetljivih virov.

- Redno preverjajte morebitno puščanje vodov za gorivo, rezervoarja, pokrovčka in priključkov. Po potrebi zamenjajte.
- Pred čiščenjem ali zamenjavo filtra za gorivo izpraznite rezervoar za gorivo ali zaprite zaporni ventil za gorivo.
- Če se gorivo razlije, počakajte, da izhlapi, preden zaženete motor.
- Nadomestni deli morajo biti enaki in nameščeni na enakem položaju kot originalni deli.

Filter za gorivo, če je na voljo

1. Pred čiščenjem ali zamenjavo filtra za gorivo (A, slika 17) izpraznite rezervoar za gorivo ali zaprite zaporni ventil za gorivo. V nasprotnem primeru gorivo lahko izteče in povzroči požar ali eksplozijo.
2. S kleščami stisnite jezičke (B, slika 17) na objemkah (C), nato pa objemki potisnite stran od filtra za gorivo (A). Voda za gorivo (D) obrnite in povlecite s filtra za gorivo.
3. Voda za gorivo (D, slika 17) preverite zaradi morebitnih razpok ali luknjic. Po potrebi zamenjajte.
4. Filter za gorivo (A, slika 17) zamenjajte z originalnim nadomestnim filtrom.
5. Voda za gorivo (D, slika 17) pričvrstite z objemkama (C), kot je prikazano.

Filter za gorivo, če je na voljo

1. Odstranite pokrovček rezervoarja za gorivo (A, slika 18).
2. Odstranite filter za gorivo (A, slika 18).
3. Če je filter za gorivo umazan, ga očistite ali zamenjajte. Če menjate filter za gorivo, ga zamenjajte z originalnim nadomestnim filtrom.

Servisiranje hladilnega sistema



OPOZORILO

Delujoči motorji se segrevajo. Deli motorja, posebej izpuh, se močno segrejejo.

Ob dotiku lahko pride do težkih opeklin.

Vnetljivi odpadki, kot so listje, trava, dračje itd., se lahko vnamejo.

- Pustite, da se izpuh, valj motorja in hladilna rebra ohladijo, preden se jih dotaknete.
- Odstranite material, ki se je nabral na območju izpuha in valja.

OPOMBA Motorja ne čistite z vodo. Voda lahko onesnaži sistem za gorivo. Motor čistite s ščetko ali suho krpo.

Ta motor je zračno hlajen. Umazanija ali delci lahko ovirajo pretok zraka in povzročijo prekomerno segrevanje motorja, posledica česar je slabo delovanje in skrajšana življenjska doba motorja.

1. S ščetko ali suho krpo odstranite delce z mrežice dovoda zraka.
2. Regulator, vzmeti in krmilni elementi naj bodo čisti.
3. Na območju okrog izpuha in za njim naj ne bo vnetljivih odpadkov.
4. Poskrbite, da na rebrih hladilnika olja ne bo umazanije in delcev.

Sčasoma se lahko na hladilnih rebrih valja naberejo delci in povzročijo prekomerno segrevanje motorja. Teh delcev ni mogoče odstraniti, ne da bi delno razstavili motor. Sistem za zračno hlajenje naj pregledajo in očistijo na pooblaščenem servisu Briggs & Stratton, kot je priporočeno v Tabeli vzdrževanja.

Shranjevanje



OPOZORILO

Gorivo in njegovi hlapi so izjemno vnetljivi in eksplozivni.

Ogenj ali eksplozija lahko povzroči težke opekline ali smrt.

Pri shranjevanju goriva ali stroja z gorivom v rezervoarju

- Hranite stran od peči, štedilnikov, grelnikov za vodo ali drugih naprav, ki imajo kontrolne lučke ali druge vire vžiga, saj lahko vžgejo hlape goriva.

Sistem za gorivo

Oglejte si sliko: 19

Motor naj bo med hrambo v vodoravni legi (običajen položaj za delovanje). Napolnite rezervoar za gorivo (A, slika 19) z gorivom. Napolnite le do spodnjega roba vratu rezervoarja (B), da omogočite širjenje goriva.

Gorivo lahko postane postano, če ga hranite več kot 30 dni. Zaradi postanega goriva se tvori kislinke in lepljive usedline v sistemu za gorivo oziroma v pomembnih delih uplinjača. Da bi gorivo ostalo sveže, uporabite **Sredstvo za obdelavo goriva s stabilizatorjem z izpopolnjeno formulo Briggs & Stratton**, ki je na voljo povsod, kjer so na prodaj originalni nadomestni deli Briggs & Stratton.

Iz motorja ni treba izpustiti goriva, če stabilizator goriva dodamo v skladu z navodili. Pustite motor teči dve (2) minuti, da pred hrambo stabilizator zakroži po sistemu goriva.

Če gorivu v motorju ne dodate stabilizatorja, morate gorivo iztočiti v ustrezno posodo. Pustite motor teči, dokler mu ne zmanjka goriva. Za ohranitev svežine goriva priporočamo uporabo stabilizatorja za gorivo v posodi za shranjevanje.

Motorno olje

Ko je motor še topel, zamenjajte motorno olje. Oglejte si poglavje **Zamenjava motornega olja**.

Odpravljanje težav

Za pomoč se obrnite na trgovca ali pojdite na **VanguardEngines.com** ali pokličite **1-800-999-9333** (v ZDA).

Specifikacije

Model: 130000	
Gibna prostornina	12.48 ci (205 cc)
Vrtina valja	2.688 in (68,28 mm)
Hod bata	2.200 in (55,88 mm)
Prostornina posode za olje	20 - 22 oz (,59 - ,65 L)
Vrsta olja reduktorja	80W-90
Količina olja reduktorja	4 oz (,12 L)
Razmak med elektrodama vžigalne svečke	.030 in (,76 mm)
Zatezni moment za vžigalno svečko	180 lb-in (20 Nm)
Zračna rega ohišja	.010 - .014 in (,25 - ,36 mm)
Reža sesalnega ventila	.004 - .006 in (,10 - ,15 mm)
Reža izpušnega ventila	.009 - .011 in (,23 - ,28 mm)

Model: 190000	
Gibna prostornina	18.63 ci (305 cc)
Vrtina valja	3.120 in (79,24 mm)
Hod bata	2.438 in (61,93 mm)
Prostornina posode za olje	26 - 28 oz (,77 - ,83 L)
Vrsta olja reduktorja	SAE 30
Količina olja reduktorja	12 oz (,35 L)
Razmak med elektrodama vžigalne svečke	.030 in (,76 mm)
Zatezni moment za vžigalno svečko	180 lb-in (20 Nm)
Zračna rega ohišja	.010 - .014 in (,25 - ,36 mm)
Reža sesalnega ventila	.004 - .006 in (,10 - ,15 mm)
Reža izpušnega ventila	.004 - .006 in (,10 - ,15 mm)

Moč motorja se zmanjša za 3,5 % na vsakih 1000 čevljev (300 metrov) dodatne nadmorske višine in 1 % na vsakih 10 °F (5,6 °C) nad 77 °F (25 °C). Motor bo deloval zadovoljivo pod kotom do 15°. Za varno dovoljeno delovno območje na nagibih si oglejte priročnik za uporabo naprave.

Servisni deli - Model: 130000, 190000	
Nadomestni del	Številka dela
Penasti zračni filter (model 130000, slika 14)	797378
Papirnati zračni filter (model 130000, slika 15)	797033
Predfilter (model 130000, slika 15)	798513
Papirnati zračni filter (model 190000, slika 15)	797032
Predfilter (model 190000, slika 15)	798795
Papirnati zračni filter: (slika 16)	474279

Servisni deli - Model: 130000, 190000

Predfilter (slika 16)	491435S
Sredstvo za obdelavo goriva s stabilizatorjem goriva z izpopolnjeno formulo	100117, 100120
Uporovna vžigalna svečka	491055
Ključ za pritrditev vžigalne svečke	19576, 5402
Naprava za preizkušanje iskre	19368

Priporočamo, da se obrnete na katerega koli pooblaščenega trgovca Briggs & Stratton za vsa vzdrževalna dela in servisiranje motorja in njegovih delov.

Moč motorja: Skupna moč motorja posameznih modelov bencinskih motorjev je označena v skladu s SAE (Zveza inženirjev v avtomobilski industriji) koda J1940 Majhna moč motorja in postopek ocene navora, in je ocenjena v skladu s SAE J1995. Vrednost navora je merjena pri 2600 vrt./min. pri motorjih, ki imajo na nalepki napisano »rpm«, in 3060 vrt./min. pri vseh ostalih; vrednosti moči pa so merjene pri 3600 vrt./min.. Krivuljo največje moči si lahko ogledate na www.BRIGGSandSTRATTON.COM Neto moč motorja je izmerjena ob nameščenih izpušni cevi in zračnem filtru, bruto moč pa je izmerjena brez teh dodatkov. Dejanska skupna moč motorja bo nižja in je odvisna med drugim od okoljskih delovnih pogojev in razlik med posameznimi motorji. Ob upoštevanju velikega izbora proizvodov, ki jih poganjajo naši motorji, bencinski motor na določeni napravi morda ne bo razvil nazivne bruto moči. Razlika je posledica vrste vplivov, ki vključujejo, vendar niso omejeni samo na sledeče: dodatna oprema (zračni filter, izpuh, polnjenje, hlajenje, uplinjač, črpalka za gorivo itd.), omejitve uporabe, razmere delovnega okolja (temperatura, zračna vlaga, nadmorska višina) in razlika med posameznimi motorji. Zaradi omejitev proizvodnje in zmogljivosti lahko podjetje Briggs & Stratton zamenja močnejši motor za ta motor.

Garancija

Garancija za motorje Briggs & Stratton

V veljavi od januarja 2017

Omejena garancija

Podjetje Briggs & Stratton jamči, da bo v spodaj navedenem garancijskem obdobju brez dodatnih stroškov popravilo ali zamenjalo kateri koli del, na katerem se je pojavila okvara zaradi materiala ali izdelave ali obojega. Stroške prevoza izdelka, ki je poslan v popravilo ali v zamenjavo pod to garancijo, mora nositi kupec. Ta garancija velja za obdobja in skladno s pogoji, navedenimi spodaj. Za servis v okviru garancije poiščite najbližji pooblaščen servisni center na našem zemljevidu za iskanje servisnih centrov na spletni strani BRIGGSandSTRATTON.COM. Kupec mora stopiti v stik s pooblaščenim servisnim centrom in izdelek le-temu posredovati v pregled in testiranje.

Dругih izrecnih garancij ni. Nakazane garancije, vključno z garancijami primernosti za trženje in ustreznosti za določen namen, so omejene na spodaj navedeno garancijsko obdobje oziroma na obseg, ki ga dopušča zakon. Odgovornost za naključno ali posledično škodo je izključena v obsegu, ki ga dopušča zakon. Nekatere države ne dopuščajo omejitve trajanja nakazane garancije, nekatere pa ne dopuščajo izključevanja ali omejitve naključne ali posledične škode, tako da zgoraj navedena omejitve in izključitev morda za vas ne velja. Ta garancija vam zagotavlja določene zakonske pravice, lahko pa imate še druge pravice, ki se razlikujejo od države do države ⁴.

Standardni garancijski pogoji 1, 2, 3

Ime znamke/izdelka	Potrošniška uporaba	Komercialna uporaba
Vanguard™; komercialna serija	36 mesecev	36 mesecev
Motorji z litoželezno pušo Dura-Bore™	24 mesecev	12 mesecev
Vsi drugi motorji	24 mesecev	3 mesece

¹To so naši standardni garancijski pogoji, občasno pa je lahko priloženo dodatno garancijsko kritje, ki ni določeno v času objave. Za seznam trenutnih garancijskih pogojev za vaš motor pojdite na BRIGGSandSTRATTON.com ali pa se obrnite na pooblaščen servisni center Briggs & Stratton.

²Garancija ne velja za motorje v opremi, uporabljeni kot glavni vir energije in ne nadomestni vir, ali za generatorje v pripravljenosti (pomožni vir energije), uporabljeni v komercialne namene. Motorji, ki se uporabljajo na tekmovanjih ali na komercialnih ali najemnih dirkališčih, niso pod garancijo.

³Motor Vanguard, nameščen na generatorje v pripravljenosti (pomožne vire energije): 24-mesečna za potrošniško uporabo, brez garancije za komercialno uporabo. Motor Vanguard, nameščen v večnamenska vozila: 24-mesečna za potrošniško uporabo, 24-mesečna za komercialno uporabo. Komercialna serija z datumom proizvodnje pred julijem 2017, 24 -mesečna za potrošniško uporabo, 24-mesečna za komercialno uporabo.

⁴V Avstraliji – naše blago ima garancije, ki jih ni možno izključiti po avstralski zakonodaji o varstvu potrošnikov. Upravičeni ste do menjave ali vračila denarja za veliko okvaro ali do odškodnine za kakršno koli drugo izgubo ali škodo, ki jo je mogoče razumno predvideti. Prav tako ste upravičeni do popravila ali menjave blaga, če le-to ni sprejemljive kakovosti, okvara pa ne predstavlja velike okvare. Za popravilo v

garancijskem roku poiščite najbližji pooblaščen servisni center na zemljevidu naših servisnih centrov na BRIGGSandSTRATTON.COM oziroma pokličite 1300 274 447 ali pošljite e-pošto na salesenquiries@briggsandstratton.com.au oziroma pišite na Briggs & Stratton Australia Pty Ltd, 1 Moorebank Avenue, Moorebank, NSW, Australia, 2170.

Garancijsko obdobje se začne, ko napravo kupi prvi maloprodajni ali komercialni potrošnik. »Potrošniška uporaba« je osebna domača uporaba s strani maloprodajnega potrošnika. »Komercialna uporaba« pomeni vse druge uporabe, vključno z uporabo v komercialne, pridobitne ali posojilne namene. Če je motor enkrat uporabljen v komercialne namene, po tej garanciji spada v kategorijo motorjev za komercialno uporabo.

Shranite račun kot dokaz o nakupu. Če tedaj, ko potrebujete garancijsko storitev, ne predložite dokazila o datumu prvotnega nakupa, se bo za določanje garancijske dobe uporabil datum proizvodnje izdelka. Za garancijsko storitev na izdelkih Briggs & Stratton registracija izdelka ni potrebna.

O vaši garanciji

Ta omejena garancija krije samo napake v materialu in/ali okvare zaradi izdelave na motorju, ne pa zamenjave ali povračila za opremo, na katero je motor lahko nameščen. Rednega vzdrževanja, finih nastavitvev, prilagoditev ali običajne obrabe ta garancija ne krije. Garancija ne velja tudi v primeru, če je bil motor predelan oziroma spremenjen ali če je bila serijska številka motorja uničena ali odstranjena. Ta garancija ne krije poškodb motorja ali težav pri delovanju, ki jih povzroči/je:

1. uporaba delov, ki niso originalni deli Briggs & Stratton;
2. delovanje motorja z nezadostno količino mazivnega olja ali z oljem, ki je onesaženo oziroma ima neustrezno viskoznost;
3. uporaba onesaženega ali starega goriva, bencina z več kot 10 odstotki etanola ali alternativnih goriv, kot sta petrolej ali zemeljski plin, v motorjih, ki jih podjetje Briggs & Stratton prvotno ni zasnovalo/izdelalo za delovanje s tovrstnimi gorivi;
4. umazanija, ki je prišla v motor zaradi napačnega vzdrževanja zračnega filtra ali ponovnega sestavljanja;
5. udarec ob predmet z rezilom rotacijske vrtnice kosilnice, zrahljanih ali nepravilno nameščenih adapterjev rezila, rotorjev ali drugih povezanih naprav gredi bloka motorja ali zaradi čezmerne zategnenosti klinastega jermena;
6. deli ali sklopi, kot so sklopke, prenosi, upravljalni vzvodi itd., ki jih ne dobavlja podjetje Briggs & Stratton;
7. pregrevanje zaradi trave, umazanije in ostankov ali gnezd glodavcev, ki zamašijo hladilna rebra ali predel vztrajnika, ali delovanje motorja brez ustreznega prezračevanja;
8. čezmerni treslaji zaradi prevelike hitrosti, razrahljane pritrditve motorja, razrahljanih ali neuravnovešenih rezil ali rotorjev ali neprimerne spajanja komponent opreme na gred bloka motorja;
9. napačna uporaba, pomanjkljivo redno vzdrževanje, neustrezen transport, ravnanje z motorjem, njegovo skladiščenje ali neustrezna montaža.

Garancijski servis je na voljo le pri pooblaščenih servisnih centrih podjetja Briggs & Stratton. Poiščite najbližji pooblaščen servisni center na zemljevidu naših servisnih centrov na BRIGGSandSTRATTON.COM oziroma pokličite 1-800-233-3723 (v ZDA).

80004537 (Rev. C)

Bu el kitabı motorların yaratabileceği riskler ve tehlikeler ile bu tehlikelerden kaçınmak için yapmanız gerekenler hakkında sizi bilinçlendirmek amacıyla güvenlik bilgileri içermektedir. El kitabı aynı zamanda motorun doğru kullanımı ve motor bakımı hakkında bilgi de içermektedir. Briggs & Stratton Şirketi bu motorun hangi cihazda kullanılacağını bilmediğinden, hem bu talimatları hem de cihazın talimatlarını okumanız önemlidir. **Bu orijinal talimatları ilerde başvurmak üzere saklayın.**

Not: Bu kılavuzdaki şekiller ve resimler referans olarak verilmiştir ve elinizdeki belli modelden farklı olabilir. Her tür sorunuz için bayinize başvurun.

Yedek parçalar veya teknik destek almak için, motorun modeli, tipi, kod numaraları ve satın alma tarihini not alın. Bu numaralar motorunuzun üzerinde yer alır (**Özellikler ve Kumandalar** kısmına bakın).

Satın Alma Tarihi	
Motor Modeli - Tipi - Donanımı	
Motor Seri Numarası	

Bazı motorlarda bulunan 2D barkoda bakın. 2D destekli bir cihazla bakılırken kod bu ürünle ilgili destek bilgisi alabileceğiniz web sitemize yönlendirecektir. Veri ücretleri geçerli olabilir. Bazı ülkelerde mevcut destek bilgisi olmayabilir.



Geri Dönüşüm Bilgisi

		Tüm ambalaj malzemeleri, kullanılmış yağ, ve aküler yürürlükteki resmi yönetmeliklere göre geri dönüşüme ayrılmalıdır.
--	--	--

Operatör Güvenliği

Güvenlik İkaz Sembolü ve Sinyal Sözcükleri

Kişisel yaralanmalara yol açabilecek tehlikeler konusunda güvenlik bilgilerini tanımamak

için ikaz sembolü kullanılır. İkaz sembolüyle birlikte yer alan sözcük (TEHLİKE, UYARI veya DİKKAT), yaralanmanın ihtimalini ve olası ciddiyetini belirtmek için kullanılır. Ek olarak, tehlikenin türünü belirtmek için tehlike sembolü de kullanılabilir.

TEHLİKE eğer önlenmezse, **ölüm veya ciddi yaralanmayla sonuçlanacak tehlikeyi gösterir.**

UYARI eğer önlenmezse, **ölüm veya ciddi yaralanmayla sonuçlanabilecek tehlikeyi gösterir.**

DİKKAT eğer önlenmezse, **hafif veya orta derecede yaralanmayla sonuçlanabilecek tehlikeyi gösterir.**

İKAZ ürüne **hasar verebilecek bir durumu gösterir.**

Tehlike Sembolleri ve Anlamları

Sembol	Anlamı	Sembol	Anlamı
	Kişisel yaralanmalara yol açabilecek tehlikelerle ilgili güvenlik bilgisi.		Üniteyi çalıştırmadan veya bakım yapmadan önce Kullanım Kılavuzunu okuyun ve uyun.

Sembol	Anlamı	Sembol	Anlamı
	Yangın tehlikesi		Patlama tehlikesi
	Darbe tehlikesi		Zehirli duman tehlikesi
	Sıcak yüzey tehlikesi		Gürültü tehlikesi - Uzun süreli kullanım için kulak koruması önerilir.
	Sıçrayan cisim tehlikesi - Göz koruması.		Patlama tehlikesi
	Soğuk ısırması tehlikesi		Geri tepme tehlikesi
	Kopartma tehlikesi - hareketli parçalar		Kimyasal Madde Tehlikesi
	Termal ısı tehlikesi		Korozif

Güvenlik Mesajları



UYARI

Bu üründeki parçalardan bazıları ve ilgili aksesuarlar Kaliforniya Eyaletince kanser, doğum kusurları veya diğer üreme organı sorunlarına yol açtığı bilinen kimyasal maddeler içerir. Kullandıktan sonra ellerinizi yıkayın.



UYARI

Bu ürünün motor egzoz gazları, Kaliforniya Eyaletince kanser, doğum kusurları veya diğer üreme organı sorunlarına yol açtığı bilinen kimyasallar içermektedir.



UYARI

Briggs & Stratton Motorları fun-kart, go-kart gibi araçları; çocuklar için eğlence veya spor amaçlı arazi araçları (ATV'ler); motosikletler; hava yastıklı tekneler; hava taşıtı ürünleri veya Briggs & Stratton tarafından onaylanmamış yarışma etkinliklerinde kullanılan araçları çalıştırmak için tasarlanmamıştır ve bunlarda kullanılmamalıdır. Yarışma amaçlı ürünlerle ilgili bilgi için bkz. www.briggsracing.com. Ticari araçlar ve çok koltuklu arazi araçları için lütfen Briggs & Stratton Motor Uygulama Merkezine başvurunuz: 1-866-927-3349. Yanlış motor uygulamaları yaralanma ve ölümlere neden olabilir.



UYARI

Yakıt ve buharları son derece yanıcı ve patlayıcı niteliktedir.

Yangın ya da patlama ağır yaralara veya ölüme neden olabilir.

Yakıt Eklerken

- Motoru kapatın ve yakıt kapağını çıkarmadan önce en az 2 dakika soğumasını bekleyin.
- Yakıt tankını dışarıda veya iyi havalandırılan bir yerde doldurun.
- Yakıt tankını aşırı doldurmayın. Yakıtın genişlemesine olanak sağlamak amacıyla, yakıt tankı boynunun alt kısmına kadar doldurun.
- Yakıtı kıvılcımlardan, açık ateşten, tutuşturma alevinden, ısı ve diğer tutuşturma kaynaklarından uzak tutun.

- Yakıt hatlarını, tankı, kapağı ve donanımları çatlak veya sızıntıya karşı sık sık kontrol edin. Gerekirse değiştirin.
- Yakıt damlarsa, motoru çalıştırmadan önce buharlaşmasını bekleyin.

Motoru Başlatırken

- Bujinin, susturucunun, yakıt kapağının ve hava temizleyicinin (varsa) yerinde ve emniyetli olduğundan emin olun.
- Buji çıkarılmışken motoru krank ile çevirmeyin.
- Motor çalışırken jikle (varsa) AÇIK / ETKİN konuma ayarlayın gaz kelebeğini (varsa) HIZLI konumuna doğru hareket ettirin ve makine çalışana kadar krank ile çevirin.

Ekipmanı Çalıştırırken

- Motoru veya ekipmanı yakıtın dökülmesine neden olacak kadar eğmeyin.
- Motoru durdurmak için karbüratörü boğmayın.
- Motoru hava temizleme donanımı (eğer mevcutsa) veya hava filtresi (eğer mevcutsa) olmadan asla çalıştırmayın veya kullanmayın.

Motor Yağını Değiştirirken

- Yağı en üst yağ hazne borusundan boşaltırsanız, yakıt deposu boş olmalıdır, aksi takdirde yakıt sızabilir ve yangın veya patlamaya yol açabilir.

Ünitenin Bakım için Yatırırken

- Ünitenin yatırılmasını gerektiren bir bakım işlemi yapılırken, yakıt deposu takılıysa boş olmalıdır, aksi takdirde yakıt sızabilir ve yangın veya patlamaya yol açabilir.

Ekipmanı Taşıırken

- Yakıt deposu BOŞ olarak veya yakıt kesme valfi KAPALI konumdayken taşıyın.

Yakıtı veya Depoda Yakıt ile Ekipmanı Saklarken

- Fırınlardan, ocaklardan, su ısıtıcılarından veya pilot alevi olan diğer cihazların veya yakıt buharlarının ateşlenmesine sebep olabilecek diğer ateşleme kaynaklarından uzakta saklayın.



UYARI

Motorun çalıştırılması kıvılcıma yol açar.

Kıvılcım yakındaki yanıcı gazları ateşleyebilir.

Patlama olabilir veya yangın çıkabilir.

- Eğer çevrede doğal gaz veya LP sızıntısı varsa motoru çalıştırmayın.
- Buharları yanıcı olduğundan basınçlı ilk çalıştırma sıvıları kullanmayın.



UYARI

ZEHİRLİ GAZ TEHLİKESİ. Motor egzozu sizi dakikalar içerisinde öldürebilecek zehirli bir gaz olan karbonmonoksit içerir. Bu gazı GÖREMEZ, KOKLAYAMAZ YA DA TADINI ALAMAZSINIZ. Egzoz gazını koklamış olsanız bile karbonmonoksit gazına maruz kalmış olabilirsiniz. Bu ürünü kullanırken rahatsızlık, baş dönmesi veya halsizlik hissederseniz HEMEN temiz hava alın. Doktora görünün. Karbonmonoksit zehirlenmesi yaşıyor olabilirsiniz.

- Karbonmonoksit gazının dolu alanlarda birikmesini ya da buraya çökme riskini azaltmak için bu ürünü SADECE pencere, kapı ve menfezlerden uzakta dış mekanda çalıştırın.
- Pille çalıştırılan karbonmonoksit alarmları ya da yedek pilli plug-in tip karbonmonoksit alarmlarını üretici talimatlarına göre kurun. Duman alarmları karbonmonoksit gazını tespit edemez.
- Bu ürünü fan kullanılsa ve havalandırma için kapı ve pencereler açık olsa bile ev, garaj, bodrum, döşeme altı boşluğu, kulübe ve diğer kısmi olarak kapalı alanlarda ÇALIŞTIRMAYIN. Karbonmonoksit hızla bu alanlara dolabilir ve ürün kapalı olsa bile saatlerce kalabilir.
- Bu ürünü HER ZAMAN rüzgar yönüne doğru yerleştirin ve motor egzozunu kapalı alanlardan uzağa konumlandırın.



UYARI

Marş ipinin hızla geri çekilmesi (geri tepme) elinizi ve kolunuzu motora doğru uyum sağlayamayacağınız bir süratte çekecektir.

Kemiğinin kırılabilir, çatlayabilir, yaralanma veya burkulmalar meydana gelebilir.



UYARI

Döner parçalar el, ayak, saç, giysi veya aksesuarlara temas edebilir veya bunlara dolanabilir.

Uzuv kesilmesine veya ciddi kesiklere sebep olabilir.

- Cihazı kullanırken muhafazaların yerinde olduğundan emin olun.
- Ellerinizi ve ayaklarınızı döner parçalardan uzak tutun.
- Uzun saçları bağlayın ve mücevherati çıkarın.
- Bol giysi, sarkan kumaşlar veya motora dolanabilecek diğer kıyafetleri giymeyin.



UYARI

Çalışır durumdaki motorlar ısı üretir. Özellikle susturucu olmak üzere motor parçaları aşırı sıcak olur.

Temas durumunda şiddetli termal yanıklar oluşabilir.

Yaprak, çimen, çalı gibi yanıcı birikintiler alevlenebilir.

- Dokunmadan önce susturucu, motor silindiri ve fitillerin soğumasını bekleyin.
- Birikintileri susturucu ve silindir alanından kaldırın.
- Kanunun Bölüm 4442'sinde tanımlanan etkin çalışma yasasına göre kıvılcım durdurucuda egzoz sistemi bulunması durumu haricinde motorun ormanlık, çalılık veya çim kaplı alanlarda kullanımı Kaliforniya Eyaleti Kamu Kaynakları Yasası, Bölüm 4442'nin ihlal edilmesine sebep olur. Diğer eyaletler ve federal bölgeler benzeri yasalara sahip olabilir. Bu motorun egzoz sistemi için tasarlanmış bir kıvılcım tutucu almak için orijinal cihaz üreticisine, perakendeciye veya bayiye başvurun.



UYARI

Kazayla kıvılcım oluşması yangın veya elektrik çarpmasına yol açabilir.

Motorun kazara çalıştırılması boğulma, uzuv kaybı veya uzuvların kesilmesine yol açabilir.

Yangın tehlikesi

Ayar veya onarım yapmadan önce:

- Buji kablosunu çıkarın ve bujiden uzakta tutun.
- Aküyü negatif kutuptan çıkarın (sadece elektrik başlatmalı motorlarda.)
- Sadece doğru aletleri kullanın.
- Motor hızını arttırmak için regülatör yayına, bağlantılara veya diğer parçalara dokunmayın.
- Yedek parçalar orijinal parçalarla aynı tasarımda olmalı ve aynı konumlara yerleştirilmelidir. Farklı parçalar orijinal parçalarla aynı işlevi görmeyebilir ve yaralanmalara sebep olabilir.
- Volana çekiçe veya sert bir cisimle vurmayın, aksi takdirde motor çalışırken volan parçalanabilir.

Kıvılcım testi yaparken:

- Onaylanmış bir buji test cihazı kullanın.
- Buji çıkarılmış halde kıvılcım kontrolü yapmayın.

Özellikler ve Kumandalar

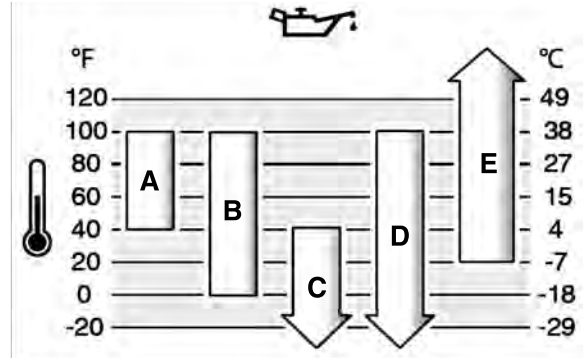
Motor Kumandaları

Resmi (Şekil: 1, 2, 3, 4) motorunuzla karşılaştırarak çeşitli özellik ve kumandaların yerlerini alın.

- Motor Künye Numaraları **Model - Tipi - Kodu**
- Buji

- C. Yakıt Deposu ve Kapağı
- D. Hava Filtresi
- E. Marş İpinin Kulpu
- F. Yağ Dolumu ve Yağ Kontrol Çubuğu
- G. Yağ Boşaltma Tapası
- H. Egzoz, Egzoz Muhafazası (varsa), Kivılcım durdurucu (varsa)
- I. Jikle Kumandası
- J. Gaz Kelebeği Kumandası (varsa)
- K. TransportGuard™ - Yakıt ve Ateşleme kumandası
- L. Hava Giriş Izgarası
- M. Dişli Redüksiyon Ünitesi (varsa)
- N. Durdurma Düğmesi (varsa)
- O. Elektrikli Marş Düğmesi (varsa) ¹

¹ Bazı motorlarda ve ekipmanlarda uzaktan kumandalar bulunur. Uzaktan kumandanın yeri ve kullanımı ile ilgili bilgi için cihaz kılavuzuna bakın.



A	SAE 30 - 40 °F (4 °C) sıcaklığın altında SAE 30 kullanılırsa zor çalışacaktır.
B	10W-30 - 80 °F (27 °C) sıcaklığın üzerinde 10W-30 kullanılması normalden fazla yağ tüketilmesine neden olabilir. Yağ seviyesini daha sık kontrol edin.
C	5W-30
D	Sentetik 5W-30
E	Vanguard™ Sentetik 15W-50

Motor Kontrol Sembolleri ve Anlamları

Sembol	Anlamı	Sembol	Anlamı
	Motor devri - HIZLI		Motor devri - YAVAŞ
	Motor devri - DUR		AÇIK - KAPALI
	Motor çalıştırma - Jikle KAPALI		Motor çalıştırma - Jikle AÇIK
	Yakıt Kapağı Yakıt Kesme - AÇIK		Yakıt Kesme - KAPALI
	Yakıt seviyesi - Maksimum Aşırı doldurmayın		

Çalıştırma

Yağ Tavsiyeleri

Yağ Kapasitesi: Bkz. **Teknik Özellikler** bölümü.

DİKKAT

Bu motor Briggs & Stratton tarafından yağsız olarak gönderilmektedir. Ekipman üreticileri veya bayiler motora yağ koymuş olabilir. Motoru ilk kez çalıştırmadan önce bu kullanım kılavuzundaki talimatlara uygun şekilde yağ seviyesini kontrol etmeye ve yağ koymaya dikkat edin. Eğer motoru yağsız olarak çalıştırırsanız tamiri mümkün olmayan bir şekilde zarar görür ve garanti kapsamı dışında kalır.

En iyi performans için Briggs & Stratton Garanti Onaylı yağları kullanmanızı öneriyoruz. Diğer yüksek kaliteli deterjan yağları servis için SF, SG, SH, SJ veya daha yüksek derecedede sınıflandırılmışsa kabul edilebilir. Özel katkı maddeleri kullanmayın.

Motor için uygun yağ viskozitesini dış sıcaklık belirler. Beklenen dış sıcaklık aralığına en uygun viskoziteyi seçmek için tabloyu kullanın. Dış mekan motorlu ekipmanlarının çoğunluğundaki motorlar 5W-30 Sentetik yağ ile gayet iyi çalışır. Yüksek sıcaklıklarda çalıştırılan ekipman için Vanguard™ 15W-50 Sentetik yağ en iyi korumayı sağlar.

Yağ seviyesi kontrolü

Bakınız şekil: 5

Yağı kontrol etmeden veya yağ koymadan önce

- Motorun düz olduğundan emin olun.
- Yağ doldurma alanını tamamen temizleyin.

1. Yağ çubuğunu (F, Şekil 5) çıkartın ve temiz bir bezle silin.
2. Yağ çubuğunu çıkartın (A, Şekil 5). **Döndürmeyin veya sıkmayın.**
3. Yağ çubuğunu çıkartın ve yağ seviyesini kontrol edin Doğru seviye kontrol çubuğu üzerindeki tam dolu işaretinin üzeridir (B, Şekil 5).
4. Yağ seviyesi düşükse, motor yağ kapağından yavaşça yağ ekleyin (C, Şekil 5). Taşma noktasına kadar doldurun.
5. Kontrol çubuğunu yerine takın ve sıkıştırın (A, Şekil 5).

Düşük Yağ Seviyesi Koruma Sistemi (varsa)

Bazı motorlarda düşük yağ sensörü bulunur. Yağ seviyesi düştüğünde sensör bir ikaz lambasını yakar veya motoru durdurur. Motoru durdurun ve yeniden çalıştırmadan önce bu adımları takip edin.

- Motorun düz olduğundan emin olun.
- Yağ seviyesini kontrol edin. **Motor Yağı Seviye Kontrolü** kısmına bakın.
- Yağ seviyesi düşükse uygun miktarda yağ ekleyin. Motoru çalıştırın ve (varsa) ikaz lambasının yanmadığından emin olun.
- Yağ seviyesi düşük değilse motoru çalıştırmayın. Yağ sorununun giderilmesi için Briggs & Stratton Yetkili Servis Bayisine başvurun.

Yakıtla İlgili Tavsiyeler

Yakıt bu şartlara uygun olmalıdır:

- Temiz, taze, kurşunsuz benzin.
- Minimum 87 oktan/87 AKI (91 RON) Yüksek irtifada kullanım için aşağıya bakınız.
- En fazla %10 etanol (gazohol) katkılı benzine izin verilir.

DİKKAT E15 ve E85 gibi onaylanmamış benzinleri kullanmayın. Yağı benzin ile karıştırmayın veya motoru farklı yakıtlarla çalışacak şekilde modifiye etmeyin. Onaylanmamış yakıtların kullanımı motor parçalarında garanti kapsamında giderilemeyecek hasarlara neden olur.

Yakıt sistemini çapak oluşumundan korumak için yakıtta bir yakıt dengeleyici ilave edin. **Saklama** kısmına bakın. Bütün yakıtlar aynı değildir. Başlatma veya performans sorunları yaşanırsa, yakıt tedarikçisini veya markayı değiştirin. Bu motor benzinle çalışmak üzere onaylanmıştır. Bu motor için emisyon kontrol sistemi EM'dir (Motor Modifikasyonları).

Yüksek İrtifa

1524 metrenin üzerindeki yüksekliklerde minimum 85 oktanlı/85 AKI (89 RON) benzin kullanımı kabul edilebilir.

Karbüratörlü motorlar için performansı korumak açısından yüksek irtifa ayarı yapmak gerekir. Bu ayar yapılmadan motorun kullanılması benzin tüketiminde artışa, performansta düşüklüğe ve emisyonunda artışa yol açar Yüksek irtifa ayarı için Briggs & Stratton Yetkili Bayiine başvurun. 762 metrenin altındaki irtifalarda motorun yüksek irtifa ayarıyla kullanılması tavsiye edilmez.

Elektronik Yakıt Enjeksiyonlu (EFI) motorlar için yüksek irtifa ayarına gerek yoktur.

Yakıtın Doldurulması

Bakınız şekil 6



UYARI

Yakıt ve yakıt buharları son derece yanıcı ve patlayıcıdır.

Yangın veya patlama ciddi yaralanmalara veya ölümlere yol açabilir.

Yakıtın Doldurulması

- Motoru kapatın ve yakıt kapağını açmadan önce motorun en az 2 dakika soğumasını bekleyin.
 - Yakıt deposunu açık havada veya iyi havalandırılmış alanda doldurun.
 - Yakıt deposunu aşırı doldurmayın Yakıtın genişlemesine imkan vermek için, yakıt deposu boğazının dip seviyesinin üzerinde doldurmayın.
 - Yakıtı kıvılcım, açık alev, pilot alevi, ısı ve diğer tutuşturma kaynaklarından uzak tutun.
 - Yakıt borularında, deposunda, kapağında ve bağlantı birimlerinde çatlak veya sızıntı olup olmadığını kontrol edin Gerekirse değiştirin.
 - Yakıt dökülürse motoru çalıştırmadan önce buharlaşmasını bekleyin.
1. Yakıt kapağı bölgesini kir ve atıklardan temizleyin Yağ dolum kapağını çıkarın.
 2. Yakıt tankını (A, Şekil 6) yakıtla doldurun. Yakıtın genişlemesine imkan vermek için, yakıt deposu boğazının dip seviyesinin üzerinde doldurmayın (C).
 3. Yakıt deposu kapağını yerine takın.

Motoru Çalıştırma ve Durdurma

Bakınız şekil: 7, 8

Motorun Çalıştırılması



UYARI

Marş ipinin hızla geri çekilmesi (geri tepme) elinizi ve kolunuzu motora doğru uyum sağlayamayacağınız bir süratte çekecektir.

Kemiğiniz kırılabilir, çatlayabilir, yaralanma veya burkulmalar meydana gelebilir.

- Motoru çalıştırırken direnci hissedene kadar ipi yavaşça çekin ve ardından geri tepmeden korunmak için ipi hızla çekin.



UYARI

Yakıt ve yakıt buharları son derece yanıcı ve patlayıcıdır.

Yangın veya patlama ciddi yaralanmalara veya ölümlere yol açabilir.

Motorun Çalıştırılması

- Bujinin, egzozun, yakıt depo kapağının ve hava filtresinin (eğer varsa) yerinde ve sağlam olduğundan emin olun.
- Motoru buji çıkarılmış halde ÇALIŞTIRMAYIN.
- Motor boğulursa, jikle (eğer varsa) OPEN veya RUN (Açık/çalıştırma) konumuna getirin, gaz kelebeğini (eğer varsa) FAST (hızlı) konumuna getirin ve motor çalışana kadar marş verin.



UYARI

ZEHIRLİ GAZ TEHLİKESİ. Motor egzoz gazında sizi bir kaç dakika içinde öldürebilecek karbonmonoksit bulunur. Bunu GÖREMEZSİNİZ, KOKUSUNU veya TADINI ALAMAZSINIZ. Egzoz dumanının kokusunu almasanız bile karbonmonoksit gazına maruz kalabilirsiniz. Bu ürünü kullanırken rahatsızlık, baş dönmesi veya bitkinlik hissettiğinizde motoru durdurun ve HEMEN açık havaya çıkın. Bir doktora başvurun. Karbonmonoksit zehirlenmesi yaşıyor olabilirsiniz.

- Bu ürünü SADECE pencerelerden, kapılardan ve havalandırma girişlerinden uzakta kullanarak kapalı iç mekânlara doğru karbonmonoksit gazının ulaşma ve buralarda birikme riskini azaltınız.
- Üretici talimatlarına uygun olarak pilli karbonmonoksit alarmları veya pil destekli elektrikli karbonmonoksit alarmları kurun. Duman alarmları karbonmonoksit gazlarını algılayamazlar.
- Bu ürünü havadan olmaları için kapı ve pencereleri açık veya fanlarla havalandırılıyor olsa dahi için evlerin, garajların, bodrumların, kalabalık mekanların, ahırların ya da diğer kısmen kapalı mekanların içinde çalıştırmayın. Karbonmonoksit gazı bu alanlarda kısa sürede birikebilir ve ürün durdurulduktan sonra dahi saatlerce varlığını sürdürebilir.
- Bu ürünü HER ZAMAN rüzgar yönünde kullanınız ve egzozu insanların olduğu mekanlardan uzağa doğrultunuz.

DİKKAT DİKKAT: Briggs & Stratton tarafından imal edilen bu motora yağ konulmamıştır Motoru çalıştırmadan önce, bu kılavuzda yer alan talimatlara uygun yağ koyduğunuzdan emin olun Motoru yağ olmadan çalıştırsanız, motor onarılamayacak derecede arızalanacak ve garantiniz geçersiz olacaktır.

Not: * Cihazın uzaktan kumandası olabilir Uzaktan kumandanın yeri ve kullanımı ile ilgili bilgi için cihaz kılavuzuna bakın.

1. Motor yağını kontrol edin. **Motor Yağı Seviye Kontrolü** bölümüne bakınız.
2. Cihaz tahrik kumandalarının, eğer varsa, kullanılmadığından emin olun.
3. Yakıt veya ateşleme kumandasını (A, Şekil 7), varsa açık veya marş konumuna getirin.
4. Gaz kelebeği kumandasını (B, Şekil 7), eğer varsa, hızlı konumuna getirin. Motoru hızlı (FAST) konumunda çalıştırın.
5. Jikle kumandasını (C, Şekil 7, 8) kapalı konumuna getirin.

Not: Not: Sıcak bir motoru yeniden çalıştırırken genellikle jikle gerekmez.

6. Durdurma anahtarını (E, Şekil 8), varsa, açık konumuna getirin.
7. **Makaralı Marş, varsa:** Marş ipinin kulpunu (D, Şekil 7, 8) sıkıca tutun. Marş ipinin kulpunu direnci hissedene kadar yavaşça çekin, sonra hızla çekin.



UYARI

UYARI: Marş ipinin hızla geri dönmesi (geri tepme) elinizi ve kolunuzu sizin reaksiyon verme hızınızdan daha hızlı olarak motora doğru çekebilir Kemiğiniz kırılabilir, çatlayabilir, yaralanma veya burkulmalar meydana gelebilir. Motoru çalıştırırken direnci hissedene kadar ipi yavaşça çekin ve ardından geri tepmeden korunmak için ipi hızla çekin.

8. **Elektrikli Marş, varsa:** Elektrikli marş butonunu (F, Şekil 8) açık veya çalışma konumuna getirin.
9. Motor ısındıkça, jikle kumandasını (C, Şekil 7, 8) açık konumuna getirin.

DİKKAT Marş motorunun ömrünü uzatmak adına kısa marş denemeleri (en fazla beş saniye) yapın. Marş denemeleri arasında bir dakika bekleyin.

Not: Tekrar tekrar denedikten sonra da motor çalışmazsa, yerel bayiinize başvurun veya VanguardEngines.com adresini ziyaret edin veya **1-800-999-9333** numaralı telefonu arayın (ABD'de).

Motoru Durdurma



UYARI

Yakıt ve yakıt buharları son derece yanıcı ve patlayıcıdır.

Yangın veya patlama ciddi yaralanmalara veya ölümlere yol açabilir.

- Motoru durdurmak için karbüratörü boğmayın.
1. **Durdurma Anahtarı, varsa:** Durdurma anahtarı (E, Şekil 8) varsa, durdurma konumuna getirin. **Yakıt ve Ateşleme Kolu, varsa:** Yakıt ve ateşleme kumandasını (A, Şekil 7), kapalı veya durdurma konumuna getirin.
 2. **Elektrikli Marş, varsa:** Anahtarı çıkartın. Anahtarı çocukların ulaşamayacağı bir yerde muhafaza edin.

Bakım

DİKKAT DİKKAT: Bakım sırasında motor yana yatırılacaksa, yakıt deposu boş olmalıdır ve bujinin olduğu taraf yukarıda olmalıdır. Eğer yakıt deposu boş değilse ve motor farklı bir yönde yana yatırılmışsa, hava filtresine ve/veya bujiye yağ veya benzin kaçması sonucu motorun çalıştırılması zor olabilir.



UYARI

Ünitenin yatırılmasını gerektiren bir bakım işlemi yapılırken, yakıt deposu boş olmalıdır, aksi takdirde yakıt sızabilir ve yangın veya patlamaya yol açabilir.

Motor ve motor parçalarıyla ilgili tüm bakım ve onarım hizmetleri için Briggs & Stratton Yetkili servislerine başvurmanızı tavsiye ediyoruz.

DİKKAT DİKKAT: Motorun doğru çalışması için bu motorun yapımında kullanılan tüm parçalar yerlerinde olmalıdır.



UYARI



Kazayla kıvılcım oluşması yangın veya elektrik çarpmasına yol açabilir.

Motorun kazara çalıştırılması boğulma, uzuv kaybı veya uzuvların kesilmesine yol açabilir.

Yangın tehlikesi

Ayar veya onarım yapmadan önce:

- Buji kablosunu sökün ve bujiden uzakta tutun.
- Aküyü negatif kutuptan sökün (sadece elektrikli marşı olan motorlarda).
- Sadece doğru aletleri kullanın.
- Motor hızını arttırmak için regülatör yayına, bağlantılara veya diğer parçalara DOKUNMAYIN.
- 1Yedek parçalar orijinal parçalarla aynı tasarımda olmalı ve aynı konumlara yerleştirilmelidir. Farklı parçalar orijinal parçalarla aynı işlevi görmeyebilir ve yaralanmalara sebep olabilir.
- Volana çekiçle veya sert bir cisimle vurmeyin, aksi takdirde motor çalışırken volan parçalanabilir.

Kıvılcım testi yaparken:

- Onaylanmış bir buji test cihazı kullanın.
- Buji çıkarılmış halde kıvılcım kontrolü yapmayın.

Emisyon Kontrol Servisi

Emisyon kontrol cihazlarının ve sistemlerinin bakımı, değişimi veya onarımı herhangi bir yol dışı motor onarım merkezi veya ustası tarafından yapılabilir. Ancak "ücretsiz" emisyon kontrol servisi almak için çalışma fabrika yetkili bayisi tarafından yapılmalıdır. Emisyon Kontrol Beyanına bakınız.

Bakım Programı

İlk 5 Saat
<ul style="list-style-type: none">• Yağı değiştirin
Her 8 saatlik çalışmada veya günde bir kez
<ul style="list-style-type: none">• Motor yağ seviyesini kontrol edin• Egzoz ve kumanda çevresindeki alanı temizleyin.• Hava giriş ızgarası
Her 25 Saatte veya Senede Bir
<ul style="list-style-type: none">• Hava filtresini temizleyin ¹• Ön filtreyi temizleyin ¹
Her 50 Saatte veya Senede Bir
<ul style="list-style-type: none">• Motor yağını değiştirin• Egzoz sistemi bakımı
Her 100 Saatte bir
<ul style="list-style-type: none">• Dişli redüksiyon yağını değiştirin (varsa)
Senede bir

- Bujiyi değiştirin
- Hava filtresini değiştirin
- Ön filtreyi değiştirin
- Yakıt sistemi bakımı
- Soğutma sistemi bakımı ¹
- Supap aralığı kontrolü ²

¹ Tozlu koşullarda veya havada parçacıklar varsa, daha sık temizleyin.
² Motorda performans sorunu görülmeden gerekli değildir.

Karbüratör ve Motor Hızı

Karbüratör ve motor hızı üzerinde hiçbir zaman oynama yapmayınız. Karbüratör ayarı fabrikada birçok koşulda verimli bir şekilde çalışacak şekilde ayarlanmıştır. Motor hızını arttırmak için regülatör yayına, bağlantılara veya diğer parçalara dokunmayın. Herhangi bir ayar gerektiğinde servis için Briggs & Stratton Yetkili Servis Bayine başvurun.

DİKKAT Ekipman üzerine takılı olan motor için azami hızı ekipmanın üreticisi belirler. Bu hızı **aşmayın**. Ekipman için olan azami hızdan emin değilseniz veya fabrikada hızın ne şekilde ayarlandığını bilmiyorsanız, destek için Briggs & Stratton Yetkili Servis Bayine başvurun. Ekipmanın güvenli ve doğru çalıştırılması için motor hızının sadece kalifiye bir servis teknisyeni tarafından ayarlanması gerekir.

Buji bakımı

Şekle bakınız: 9

Sentille aletle (B) tırnak aralığını (A, Şekil 9) kontrol edin. Gerekirse, aralığı yeniden ayarlayın. Bujiyi monte edin ve tavsiye edilen torca sıkın. Aralık ayarı veya tork değeri için **Özellikler** bölümüne bakın.

Not: Bazı bölgelerde, yerel kanun ateşleme sinyallerini bastırması için rezistör buji kullanılması gerektirir. Eğer motorun orijinalinde rezistörlü buji varsa, parça değişikliğinde aynı tip buji kullanın.

Egzoz Sistemi Bakımı



UYARI



Çalışan motor ısı yayar. Motor parçaları, özellikle de egzoz aşırı ısınır.

Dokunma sonucu ciddi yanıklar meydana gelebilir.

Yaprak, çim, çalı vs. gibi yanabilir atıklar, alev alabilir.

- Dokunmadan önce egzozun, motor silindirin ve kanatçıkların soğumasını bekleyin.
- Biriken kirleri egzoz ve silindir alanından uzaklaştırın.
- Motorun egzoz sisteminde düzenli bakım ve kontrolü yapılan kıvılcım durdurucu yoksa, bu motoru herhangi bir ormanlık alanda, çalı veya çimlerin olduğu bir arazide kullanmak Kaliforniya Kamu Kaynakları Kanunu'nun 4442 sayılı yasasına aykırıdır. Diğer eyaletler ve federal bölgeler benzeri yasalara sahip olabilir. Bu motorun egzoz sistemi için tasarlanmış bir kıvılcım tutucu almak için orijinal cihaz üreticisine, perakendeciye veya bayiye başvurun.

Biriken kirleri egzoz ve silindir alanından uzaklaştırın. Egzozda çatlak, korozyon veya diğer hasarların olup olmadığını kontrol edin. Varsa, kıvılcım tutucuyu sökün, hasar veya karbon tıkanması olup olmadığını kontrol edin. Hasar varsa, çalıştırmadan önce yedek parçaları monte edin.



UYARI

Yedek parçalar orijinal parçalarla aynı tasarımda olmalı ve aynı konumlara yerleştirilmelidir. Farklı parçalar orijinal parçalarla aynı işlevi görmeyebilir ve yaralanmalara sebep olabilir.

Motor Yağını Değiştirme

Bakınız şekil: 10, 11

Kullanılmış yağ tehlikeli bir atık maddedir ve uygun bir şekilde atılmalıdır. Evsel atığınızla birlikte çöpe atmayın. Geri dönüşüm/güvenli atık merkezleri için yerel yetkililere, servis merkezine, veya bayilere başvurun.

Yağın Boşaltılması

1. Motor kapalı fakat halen sıcakken, buji kablosunu sökün (D, Şekil 10) ve bujiden (E) uzakta tutun.
2. Yağ çubuğunu çıkartın (A, Şekil 11).
3. Yağ boşaltma tapasını sökün (F, Şekil 11). Yağı bu işlem için onaylanmış bir kaba boşaltın.

Not: Motorda çeşitli yağ boşaltma tapalarından herhangi biri (G, Şekil 11) bulunuyor olabilir.

4. Yağ boşaldıktan sonra, yağ boşaltma tapasını monte edin ve sıkın (F, Şekil 11).

Yağ Ekleme

- Motorun düz olduğundan emin olun.
 - Yağ doldurma alanını tamamen temizleyin.
 - Yağ kapasitesi için **Spesifikasyonlar** bölümüne bakın.
1. Yağ çubuğunu (A, Şekil 11) çıkartın ve temiz bir bezle silin.
 2. Motor yağ doldurma ağzından yavaşça yağ doldurun (C, Şekil 11). Taşma noktasına kadar doldurun.
 3. Yağ çubuğunu (A, Şekil 11) takın. **Döndürmeyin veya sıkmayın.**
 4. Yağ çubuğunu çıkartın ve yağ seviyesini kontrol edin Doğru seviye kontrol çubuğu üzerindeki tam dolu işaretinin üzeridir (B, Şekil 11).
 5. Kontrol çubuğunu yerine takın ve sıkıştırın (A, Şekil 11).
 6. Buji kablosunu (D, Şekil 10) bujiye (E) bağlayın.

Dişli Redüksiyon Yağı Değişimi

Bakınız şekil: 12, 13

6:1 Dişli Redüksiyon (Şekil 12)

Motorunuzda 6:1 dişli redüksiyon ünitesi varsa aşağıdaki şekilde bakımını yapın:

1. Yağ doldurma tapasını (A, Şekil 12) ve yağ seviye tapasını (B) çıkartın .
2. Yağ boşaltma tapasını (C, Şekil 12) çıkartın ve yağı uygun bir kaba boşaltın.
3. Yağ boşaltma tapasını (F, Şekil 12) geri takın ve sıkın.
4. Tekrar yağ doldurmak için, motor yağını (bkz. **Spesifikasyonlar** kısmı) yağ doldurma deliğinden (D, Şekil 12) yavaşça doldurun. Yağ, seviye deliğinden (E) akana dek doldurmaya devam edin.
5. Seviye tapasını (B, Şekil 12) yerine takın ve sıkıştırın.
6. Yağ doldurma tapasını (A, Şekil 12) yerine takın ve sıkıştırın.

Not: Yağ doldurma tapasında (A, Şekil 12) bir havalandırma deliği (F) vardır ve gösterilen şekilde dişli kutusu kapağının üst kısmına takılmalıdır.

2:1 Dişli Redüksiyon (Şekil 13)

2:1 dişli redüksiyon ünitesi (G, Şekil 13) yağ değişimi gerektirmez.

Hava Filtresi Bakımı

Bakınız şekil: 14, 15, 16



UYARI

Yakıt ve yakıt buharları son derece yanıcı ve patlayıcıdır.

Yangın veya patlama ciddi yaralanmalara veya ölümlere yol açabilir.

- Motoru hava temizleme donanımı (eğer mevcutsa) veya hava filtresi (eğer mevcutsa) olmadan asla çalıştırmayın veya kullanmayın.

DİKKAT Filtreyi temizlemek için basınçlı hava veya solvent kullanmayın. Basınçlı hava filtreye hasar verebilir ve solventler filtreyi eritir.

Servis şartları **Bakım Tablosuna** bakın.

Birçok modelde ya sünger ya da kağıt filtre bulunur. Bazı modellerde yıkanabilen ve yeniden kullanılabilen ön filtre mevcuttur. Bu kılavuzdaki resimleri sizin motorunuzdaki tipte karşılaştırın ve ona göre bakımını yapın.

Köpük Hava Filtresi

1. Bağlantı eleman(lar)ını (A, Şekil 14) gevşetin.

2. Kapağı (B, Şekil 14) çıkartın.
3. Bağlantı elemanını (D, Şekil 14) ve pulu (E) çıkartın.
4. Artık maddelerin karbüratöre düşmesini önlemek için, özenli bir şekilde köpük elemanı (C, Şekil 14) hava filtresi yuvasından (G) çıkartın.
5. Yuvayı (F, Şekil 14) köpük elemandan (C) çıkartın.
6. Köpük elemanı (C, Şekil 14) sıvı deterjan ve suyla temizleyin. Köpük elemanını temiz bir bezle sıkarak kurutun.
7. Köpük elemanı (C, Şekil 14) temiz motor yağıyla doldurun. Motor yağının fazlasını atmak için, köpük elemanını temiz bir bez içinde sıkın.
8. Yuvayı (F, Şekil 14) köpük elemana (C) takın.
9. Köpük elemanı (C, Şekil 14) hava filtresi yuvasına (G) ve kanalın üzerine (H) takın. Köpük elemanın hava filtresi yuvasına doğru şekilde takıldığından ve pul (E) ve bağlantı elemanı (D) emniyete alındığından emin olun.
10. Kapağı (B, Şekil 14) takın ve bağlantı eleman(lar)ıyla (A) emniyete alın. Bağlantı elemanının sıkı olduğundan emin olun.

Kağıt Hava Filtresi

1. Bağlantı eleman(lar)ını (A, Şekil 15) gevşetin.
2. Kapağı (B, Şekil 15) çıkartın.
3. Bağlantı elemanını (E, Şekil 15) çıkartın.
4. Artık maddelerin karbüratöre düşmesini önlemek için, özenli bir şekilde ön filtreyi (D, Şekil 15) varsa ve filtreyi (C) hava filtresi yuvasından (F) çıkartın.
5. Kiri gevşetmek için filtreyi (C, Şekil 15) sert bir zemine hafifçe vurun. Filtre aşırı derecede kirliyse, yeni bir filtreyle değiştirin.
6. Ön filtreyi (D, Şekil 15) varsa filtreden (C) çıkartın.
7. Ön filtreyi (D, Şekil 15) sıvı deterjan ve suyla yıkayın. Ön filtreyi havayla tamamen kurutun. **Ön filtreyi yağlamayın.**
8. Ön filtreyi (D, Şekil 15) varsa, filtreye (C) yerleştirin.
9. Lastik contayı (H, Şekil 15), filtreyi (C), ve varsa ön temizleyiciyi (D) hava filtresi yuvasına (F) ve kanal (G) üzerine yerleştirin. Filtrenin hava filtresi yuvasına doğru şekilde takıldığından ve bağlantı elemanı (E) emniyete alındığından emin olun.
10. Kapağı (B, Şekil 15) takın ve bağlantı elemanı(larıyla) (A) sıkın. Bağlantı elemanının sıkı olduğundan emin olun.

Kağıt Hava Filtresi

1. Bağlantı eleman(lar)ını (D, Şekil 16) gevşetin.
2. Kapağı (A, Şekil 16) çıkartın.
3. Ön temizleyiciyi (C, Şekil 16), varsa ve filtreyi (B) çıkartın.
4. Kiri gevşetmek için filtreyi (B, Şekil 16) sert bir zemine hafifçe vurun. Filtre aşırı derecede kirliyse, yeni bir filtreyle değiştirin.
5. Ön temizleyiciyi (C, Şekil 16), varsa, sıvı deterjan ve suyla yıkayın. Ön temizleyiciyi havayla tamamen kurutun. **Ön temizleyiciyi yağlamayın.**
6. Kuru ön temizleyiciyi (C, Şekil 16), varsa ve filtreyi (B) takın.
7. Kapağı (A, Şekil 16) takın ve bağlantı elemanı(larıyla) (D) sıkın. Bağlantı elemanının sıkı olduğundan emin olun.

Yakıt Sistemi Bakımı

Bakınız şekil: 17, 18



UYARI

Yakıt ve yakıt buharları son derece yanıcı ve patlayıcıdır.

Yangın veya patlama ciddi yaralanmalara veya ölümlere yol açabilir.

- Yakıtı kıvılcım, açık alev, pilot alevi, ısı ve diğer tutuşurma kaynaklarından uzak tutun.
- Yakıt borularında, deposunda, kapağında ve bağlantı birimlerinde çatlak veya sızıntı olup olmadığını kontrol edin. Gerekirse değiştirin.
- Yakıt filtresini temizlemeden veya değiştirmeden önce, yakıt deposunu boşaltın veya yakıt durdurma valfini kapatın.
- Yakıt dökülürse motoru çalıştırmadan önce buharlaşmasını bekleyin.
- Yedek parçalar orijinal parçalarla aynı olmalı ve orijinal parçalarla aynı konumda monte edilmelidir.

Yakıt Filtresi, varsa

1. Yakıt filtresini temizlemeden veya değiştirmeden önce, (A, Şekil 17), yakıt deposunu boşaltın veya yakıt durdurma valfini kapatın. Aksi takdirde, yakıt sızabilir ve yangın veya patlamaya yol açabilir.
2. Kelepçelerin (C) üzerindeki tırmakları (B, Şekil 17) sıkmak için pense kullanın, ardından kelepçeleri yakıt filtresinden (A) uzağa kaydırın. Yakıt borularını (D) çevirin ve yakıt filtresinden çekin.
3. Yakıt hatlarında (D, Şekil 17) çatlak veya kaçak olmadığını kontrol edin. Gerekirse değiştirin.
4. Yakıt filtresini (A, Şekil 17) orijinal cihaz yedek filtresiyle değiştirin.
5. Yakıt hatlarını (D, Şekil 17) gösterildiği gibi kelepçelerle (C) bağlayın.

Yakıt Süzgeci, varsa

1. Yakıt kapağını (A, Şekil 18) sökün.
2. Yakıt süzgecini (B, Şekil 18) çıkartın.
3. Yakıt süzgeci kirliyse temizleyin veya değiştirin. Yakıt süzgecini değiştiriyorsanız orijinal yedek parça taktığınızdan emin olun.

Soğutma Sistemi Bakımı



UYARI

Çalışan motor ısı yayar Motor parçaları, özellikle de egzoz aşırı ısınır.

Dokunma sonucu ciddi yanıklar meydana gelebilir.

Yaprak, çim, çalı vs. gibi yanabilir atıklar, alev alabilir.

- Dokunmadan önce egzozun, motor silindirin ve kanatçıların soğumasını bekleyin.
- Biriken kirleri egzoz ve silindir alanından uzaklaştırın.

DİKKAT DİKKAT: Motoru temizlerken su kullanmayın Su yakıt sistemini kirletebilir Motoru temizlemek için fırça veya kuru bir bez kullanın.

Bu, su soğutmalı bir motordur. Kir veya artıklar hava akışını kısıtlayabilir ve motorun aşırı ısınmasına neden olarak performans düşüşü ve motor ömrünün kısalmaya gibi sonuçlar doğurabilir.

1. Hava girişi alanındaki kalıntıları temizlemek için fırça veya kuru bez kullanın.
2. Bağlantıları, yayları ve kumandaları temiz tutun
3. Egzozun etrafındaki ve arkasındaki alanı yanıcı kirlilerden temizleyin.
4. Varsa, yağ soğutma kanatçıları varsa kir ve kalıntı olmadığından emin olun.

Zaman içinde silindir soğutma kanatçıları içinde artık maddeler birikebilir ve bu da motorun aşırı ısınmasına yol açabilir. Bu artık maddeler motoru kısmen sökmeden çıkartılamaz. **Bakım Planında** önerilen şekilde kontrol edilip temizlenmesi için Briggs & Stratton Yetkili Servis Bayine başvurun.

Saklama



UYARI

Yakıt ve buharları son derece yanıcı ve patlayıcı niteliktedir.

Yangın ya da patlama, şiddetli yanıklara ya da ölüme neden olabilir.

Yakıtı veya Depoda Yakıt bulunan Ekipmanı Saklarken

- Fırınların, ocakların, su ısıtıcılarının veya pilot alevi olan diğer cihazların veya yakıt buharının ateşlenmesine sebep olabilecek diğer ateşleme kaynaklarından uzakta saklayın.

Yakıt Sistemi

Bkz. Şekil: 19

Motoru yatay şekilde saklayın (normal çalışma konumu). Yakıt deposuna (A, Şekil 19) yakıt doldurun. Yakıtın genleşmesine yer bırakmak için yakıt deposu boynundan (B) daha yukarıya kadar doldurmayın.

Yakıt 30 günün üzerinde depolandığında bozulabilir. Bayat yakıt sistemde veya karbüratör parçaları üzerinde asit ve yapışkanlık birikintisine neden olabilir. Yakıtı taze tutmak için **Briggs & Stratton Geliştirilmiş Formüllü Yakıt Katkısı ve Stabilizör kullanın**, Briggs & Stratton gerçek servis parçalarının satıldığı yerlerde bulunabilir.

Talimatlara uygun şekilde yakıt stabilizatörü eklendiğinde motordaki benzini boşaltmaya gerek kalmaz. Depolamadan önce stabilizatörü yakıt sisteminde dolaştırmak için motoru iki (2) dakika süreyle çalıştırın.

Motordaki benzine yakıt stabilizatörü katılmamışsa, onaylanmış bir kaba boşaltılmalıdır. Motor benzin kalmadığından stop edinceye kadar motoru çalıştırın. Tazeliği korumak için depolama kabına yakıt stabilizatörü konması önerilir.

Motor Yağı

Motor hala sıcakken, motor yağını değiştirin. **Motor Yağını Değiştirme** kısmına bakın.

Sorun Giderme

Destek için, yerel bayinize başvurun veya **VanguardEngines.com** adresini ziyaret edin veya **1-800-999-9333** numaralı telefonu arayın (ABD'de).

Özellikler

Model: 130000	
Hacim	12.48 ci (205 cc)
Silindir Çapı	2.688 in (68,28 mm)
Strok	2.200 in (55,88 mm)
Yağ Kapasitesi	20 - 22 oz (,59 - ,65 L)
Dişli Redüksiyon Yağı Tipi	80W-90
Dişli Redüksiyon Yağı Kapasitesi	4 oz (,12 L)
Buji Tırmak Aralığı	.030 in (,76 mm)
Buji Torku	180 lb-in (20 Nm)
Armatür Hava Aralığı	.010 - .014 in (,25 - ,36 mm)
Emiş Valf Açıklığı	.004 - .006 in (,10 - ,15 mm)
Egzoz Valf Açıklığı	.009 - .011 in (,23 - ,28 mm)

Model: 190000	
Hacim	18.63 ci (305 cc)
Silindir Çapı	3.120 in (79,24 mm)
Strok	2.438 in (61,93 mm)
Yağ Kapasitesi	26 - 28 oz (,77 - ,83 L)
Dişli Redüksiyon Yağı Tipi	SAE 30
Dişli Redüksiyon Yağı Kapasitesi	12 oz (,35 L)
Buji Tırmak Aralığı	.030 in (,76 mm)
Buji Torku	180 lb-in (20 Nm)
Armatür Hava Aralığı	.010 - .014 in (,25 - ,36 mm)
Emiş Valf Açıklığı	.004 - .006 in (,10 - ,15 mm)
Egzoz Valf Açıklığı	.004 - .006 in (,10 - ,15 mm)

Motor gücü deniz yüzeyinin üzerindeki her 1000 fit (300 metre) için %3,5 ve 77° F (25° C)'nin üzerindeki her 10° F (5,6° C) için %1 azalır. Motor 15 dereceye kadar olan açılarda tatmin edici şekilde çalışır. Yokuşlarda güvenli kullanım sınırları için cihazın kullanma kılavuzuna bakın.

Bakım Parçaları - Model: 130000, 190000	
Bakım Parçası	Parça Numarası
Sünger Hava Filtresi (Model 130000, Şekil 14)	797378
Kağıt Hava Filtresi (Model 130000, Şekil 15)	797033
Ön filtre (Model 130000, Şekil 15)	798513
Kağıt Hava Filtresi (Model 190000, Şekil 15)	797032
Ön filtre (Model 190000, Şekil 15)	798795
Kağıt Hava Filtresi (Şekil 16)	474279
Ön filtre (Şekil 16)	491435S
Geliştirilmiş Formüllü Yakıt Katkısı & Stabilizör	100117, 100120
Rezistör Bujisi	491055
Buji Anahtarı	19576, 5402

Bakım Parçaları - Model: 130000, 190000

Buji Test Cihazı

19368

Motor ve motor parçalarıyla ilgili tüm bakım ve onarım hizmetleri için Briggs & Stratton Yetkili servislerine başvurmanızı tavsiye ediyoruz.

Güç Değerleri: Münferit benzinli motor modellerinin toplam güç değeri SAE (Society of Automotive Engineers) kod J1940 Küçük Motor Güç ve Tork Değeri Belirleme İşlemi'ne göre etiketlenmiştir ve SAE J1995'e uygun anma değerine sahiptir. Etiketlerinde 'rpm' (dev/dk) yazan motorların tork değerleri 2600 dev/dk'da, diğerleri 3060 dev/dk'da; beygir gücü değerleri 3600 dev/dk'da alınmıştır. Toplam güç eğrileri www.BRIGGSandSTRATTON.COM adresinde görülebilir. Net güç değerleri egzoz ve hava temizleyici takılmış haldeyken alınırken, toplam güç değerleri bu ekipmanlar olmadan alınır. Gerçek toplam motor gücü, net motor gücünden daha yüksek olacaktır ve diğer etkenlerin yanı sıra ortam şartlarından ve motorlar arası farklardan etkilenecektir. Motorların bulunduğu geniş ürün yelpazesine göz önüne alındığında benzinli motor, herhangi bir motorlu ekipmanda kullanıldığında toplam anma gücünü üretmeyebilir. Bu fark, çeşitli motor bileşenleri (hava temizleyici, egzoz, şarj etme, soğutma, karbüratör, yakıt pompası vs.), uygulamaya sınırlamaları, ortam çalışma şartları (sıcaklık, nem, yükseklik) ve motorlar arası farklılıklar dâhil fakat bunlarla sınırlı olmamak üzere çok sayıda faktörden kaynaklanmaktadır. Üretim ve kapasite sınırlamalarından dolayı Briggs & Stratton bu motoru daha güçlü bir motorla değiştirebilir.

Garanti

Briggs & Stratton Motor Garantisi

Ocak 2017'den itibaren geçerlidir

Sınırlı Garanti

Briggs & Stratton aşağıda belirtilen garanti süresi boyunca malzeme veya işçilikten ya da her ikisinden kaynaklanan bir kusuru olan herhangi bir parçayı ücretsiz onarmayı veya değiştirmeyi garanti etmektedir. Bu garanti kapsamında onarım ya da değiştirme için gönderilen ürünlerin nakliye masrafları alıcıya aittir. Bu garanti aşağıda belirtilen süre ve koşullar çerçevesinde geçerlidir. Garanti hizmeti için BRIGGSandSTRATTON.COM adresindeki bayi bulma haritasını kullanarak en yakın Yetkili Servis Bayisini bulun. Müşteri Yetkili Servis Sağlayıcı ile irtibata geçmeli ve ürünün Yetkili Servis Sağlayıcı tarafından incelenip test edilmesi için uygun şartları sağlamalıdır.

Başka bir açık garanti yoktur. Anlaşılan garantiler belirli bir amaç için ticari elverişlilik ve uygunluk dahil aşağıdaki listede yazılı garanti süresi ile veya yasanın izin verdiği zamanla sınırlıdır. Dolaylı veya dolaysız hasarların sorumluluğu yasalardan belirlendiği ölçüde kapsam dışı tutulacaktır. Bazı devletler anlaşılabilir garantilerde garantinin süresine sınırlama getirilmesine izin vermemektedir ve bazı ülkeler önemsiz veya dolaylı hasarların hariç tutulmasına veya sınırlama getirilmesine izin vermemektedir. Bu nedenle sınırlamalar ve istisnalar sizin için geçerli olmayabilir. Bu garanti size eyaletten eyalete ve ülkeden ülkeye değişen bazı kanuni haklar verir ⁴.

Standart Garanti Koşulları 1, 2, 3

Marka / Ürün Adı	Tüketici Kullanımı	Ticari Kullanım
Vanguard™; Ticari Seriler	36 ay	36 ay
Dura-Bore™ Dökme Demir Kovanlı Motorlar	24 ay	12 ay
Tüm Diğer Motorlar	24 ay	3 ay

¹Bunlar bizim standart garanti koşullarımızdır, ama nadiren kitapçığın basım tarihinde henüz belirlenmemiş ilave garanti kapsamı olabilir. Motorunuzun güncel garanti koşulları için BRIGGSandSTRATTON.COM web sitesine gidin veya yetkili Briggs & Stratton Bayinize başvurun.

²Bir ticari alanda güç beslemesi için kullanılan bir ekipmandaki motorlar veya ticari amaçlarla kullanılan yedek güç jeneratörlerindeki motorlar için garanti yoktur. Yarışmalarda, ticari veya kiralık yarış pistlerinde kullanılan motorlar garanti kapsamı dışındadır.

³Yedek güç jeneratörlerindeki Vanguard için: Tüketici kullanımında 24 ay, ticari kullanım için garantisi yoktur. Ticari araçlardaki Vanguard için: Tüketici kullanımında 24 ay, ticari kullanımında 24 ay. Temmuz 2017'den önce üretim tarihine sahip Ticari Seriler için 24 ay tüketici kullanımı, 24 ay ticari kullanım.

⁴Avustralya'da - Ürünlerimiz Avustralya Tüketici Yasası uyarınca kapsam dışı tutulamayan garantiler ile birlikte gelmektedir. Büyük bir arıza için ürün değiştirme veya ücret iadesi ve makul olarak önceden tahmin edilebilen herhangi bir kayıp ya da hasar için tazminat hakkınız bulunmaktadır. Ayrıca ürünler kabul edilebilir kalitede olmadığında ve bir arıza büyük arıza niteliğinde olmadığında da ürünlerin değiştirilmesi ve onarılmasını talep etme hakkınız vardır. Garanti hizmeti için, BRIGGSandSTRATTON.COM adresindeki bayi arama fonksiyonunu kullanarak veya 1300 274 447 no'lu telefonu arayarak ya da salesenquires@briggsandstratton.com.au adresine e-posta göndererek veya Briggs & Stratton Australia Pty Ltd, 1 Moorebank Avenue, NSW, Australia, 2170 posta adresine yazarak en yakın Yetkili Servis Bayisini bulunuz.

Garanti süresi, ilk perakende veya ticari tüketici tarafından satın alındığı orijinal tarihten itibaren başlar. "Tüketici kullanımı" ile perakende tüketicisi tarafından mesken amaçlı konut içinde kişisel kullanım ifade edilmektedir. "Ticari kullanım" ticari, gelir elde etme veya kiralama amaçlı da dâhil olmak üzere, diğer tüm kullanımları kapsamaktadır. Bir motor bir defalık ticari kullanımın ardından, ticari kullanım motoru olarak kabul edilecektir ve bu garanti kapsamında ticari motor şartlarına tabi olacaktır.

Satın alma makbuzunuzu saklayın. Garanti servisinde istendiği zaman ilk satın alma makbuzunuzu sağlayamamız halinde ürünün üretim tarihi garanti süresini belirlemek için kullanılacaktır. Briggs & Stratton ürünlerinde garanti hizmeti almak için ürün kaydına gerek yoktur.

Garanti Kapsamı Hakkında Bilgi

Bu garanti sadece motorla ilgili arızalı malzeme ve/veya işçiliği kapsar, motorun monte edildiği cihazların değiştirilmesini veya iadesini kapsamaz. Rutin bakım, ayarlamalar, düzeltmeler, veya normal aşınma/yıpranmalar bu garanti kapsamına girmez. Benzer olarak, motorda değişiklik veya modifikasyon yapılmışsa, ya da motor seri numarası silinmiş veya sökülümüşse garanti geçerli değildir. Bu garanti aşağıdakilerin neden olduğu motor hasarını veya performans sorunlarını kapsamamaktadır:

- Orijinal Briggs & Stratton parçaları olmayan parçaların kullanımı;
- Motorun yetersiz, kirli veya hatalı nitelikteki yağla çalıştırılması;
- Kirli veya eski yakıt, %10'dan yüksek etanol içerikli mazot, veya sıvı petrol ya da doğal gazın orijinalde Briggs & Stratton tarafından bu yakıtlarla kullanıma göre tasarlanmamış/üretilmemiş motorlarda kullanımı;
- Hava temizleyiciyi iyi bakım yapılmaması veya yerine düzgün monte edilmemesi nedeniyle motora giren kirler;
- Döner çim biçme makinesi bıçağına sert bir cismin çarpması, gevşek veya hatalı takılmış bıçak adaptörleri, çark veya diğer krank miline bağlı aksamlar, ya da aşırı gergin v kayışı;
- Debriyajlar, transmisyönlere, ekipman kumandaları, vs. gibi Briggs & Stratton tarafından tedarik edilmeyen ilgili parça veya donanımlar;
- Soğutma kanallarını ya da volan bölgesini kapayan veya tıkayan çim kırıntıları, kir ve artıklar, veya kemirgen yuvaları;
- Aşırı hız, gevşek motor montajı veya dengesiz bıçak veya çarklar, ya da ekipman parçalarının krank miline yanlış bağlanmasından kaynaklanan aşırı titreşim;
- Hatalı kullanım, rutin bakım, nakliye, taşıma veya depolama eksikliği veya hatalı motor montajı.

Garanti hizmeti yalnız Yetkili Briggs & Stratton Servisleri aracılığıyla verilmektedir. Size en yakın Yetkili Servis Merkezini BRIGGSandSTRATTON.COM internet adresinde yer alan Yetkili Servis arama haritasında veya 1-800-233-3723 nolu (ABD'de) telefonu arayarak bulabilirsiniz.

80004537 (Rev. C)

Not for
Reproduction

Not for
Reproduction



Not for
Reproduction