

**543700**

# Illustrated Parts List

## Model Series

**543700**

**VERTICAL SHAFT  
AIR COOLED  
GASOLENE  
OIL GUARD**

TYPE NUMBER(s):

0010, 0011, 0100, 0110, 0120, 0121, 0123, 0124, 1110

1120, 1121, 1124, 2120, 2121, 2124, 2125, 3121.

Not for  
Reproduction



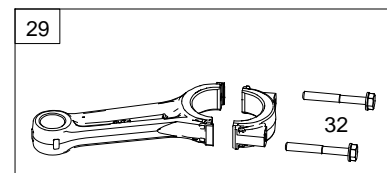
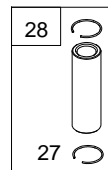
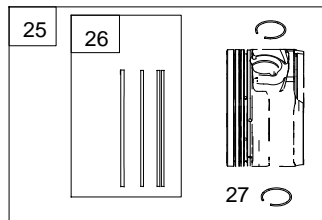
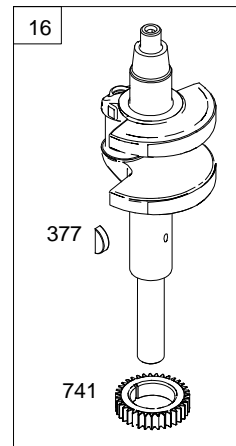
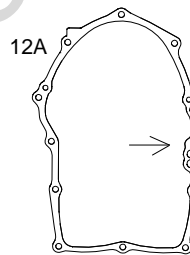
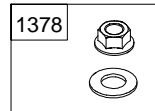
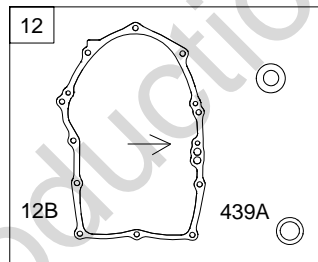
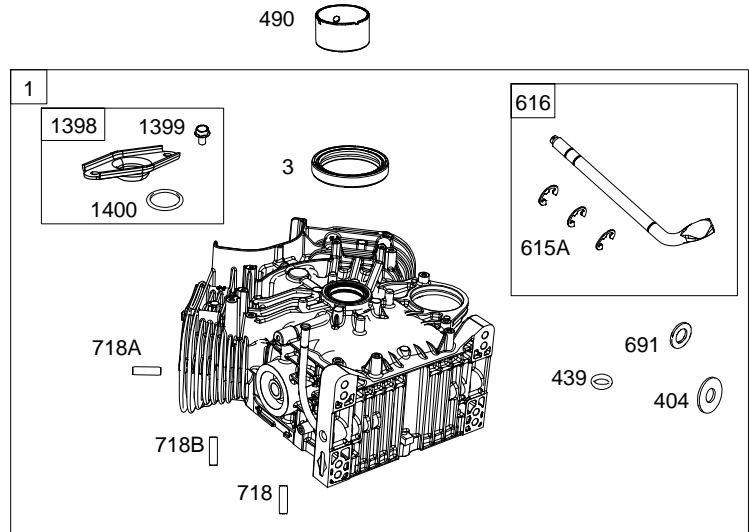
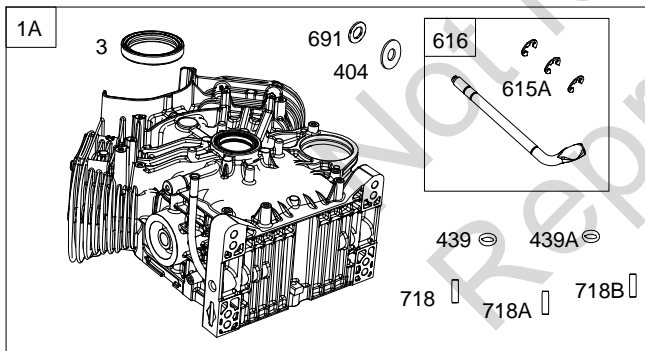
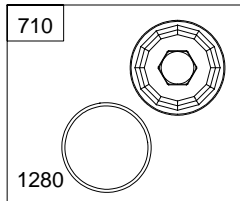
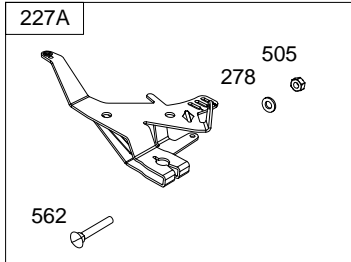
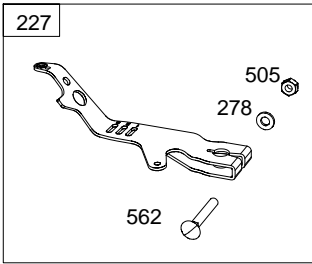
PRINTED IN U.S.A.

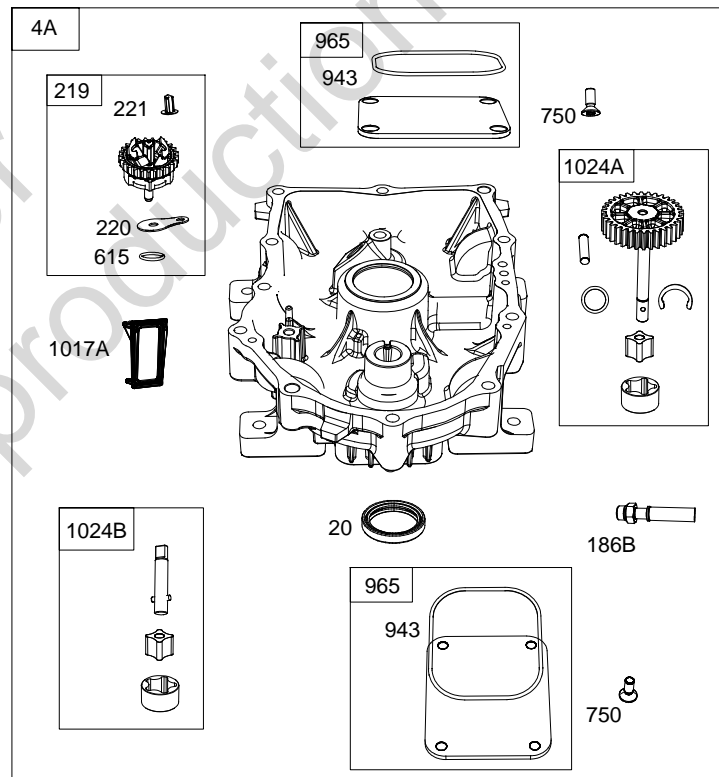
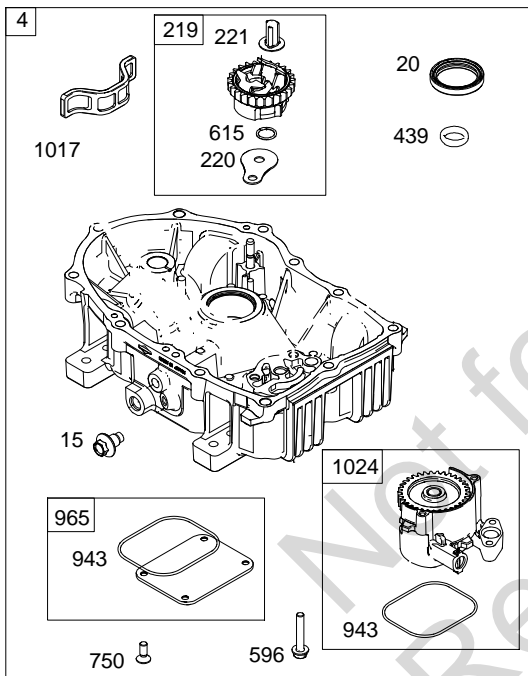
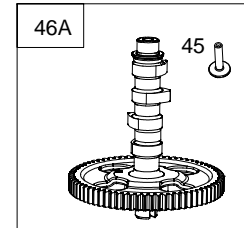
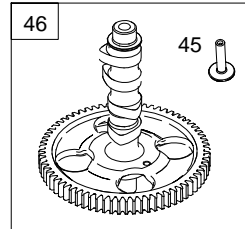
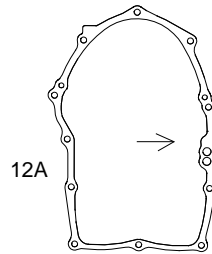
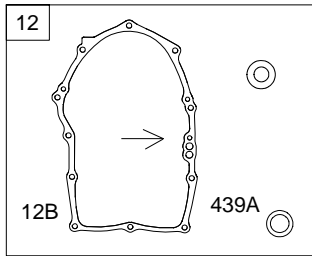
COPYRIGHT by BRIGGS & STRATTON CORPORATION  
All rights reserved. No part of this material may be reproduced or transmitted,  
in any form or by any means, electronic or mechanical, including photocopying,  
recording or by any information storage and retrieval system, without permission  
in writing from Briggs & QuickSilver Corporation.

1036

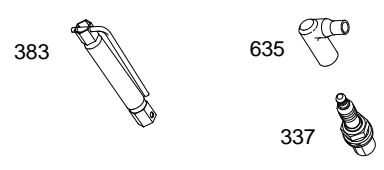
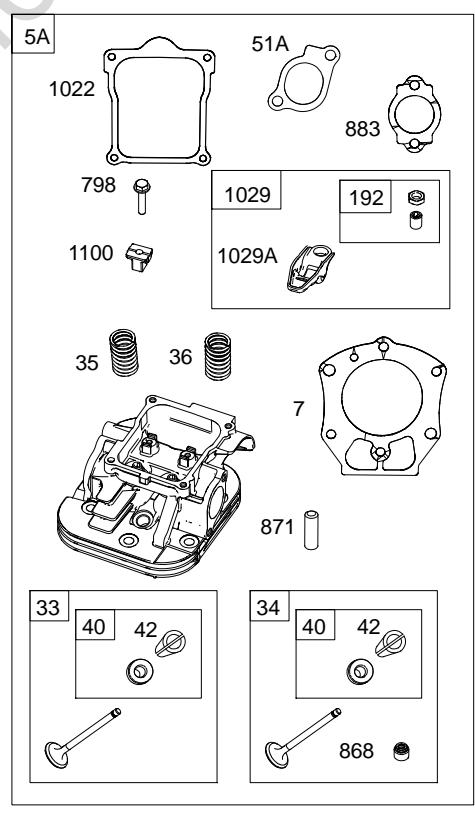
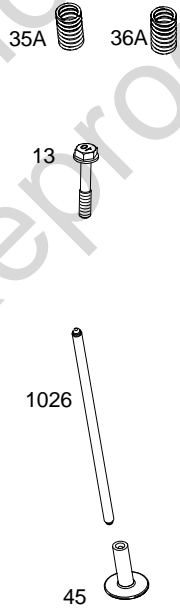
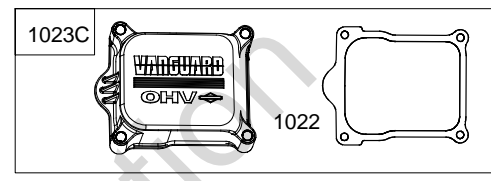
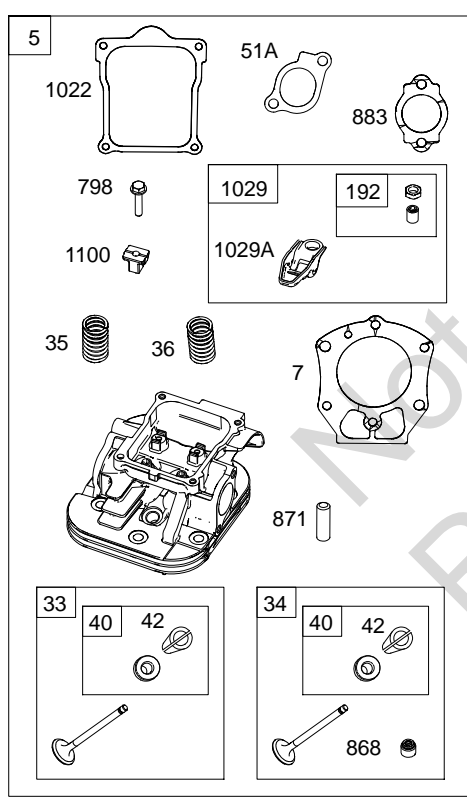
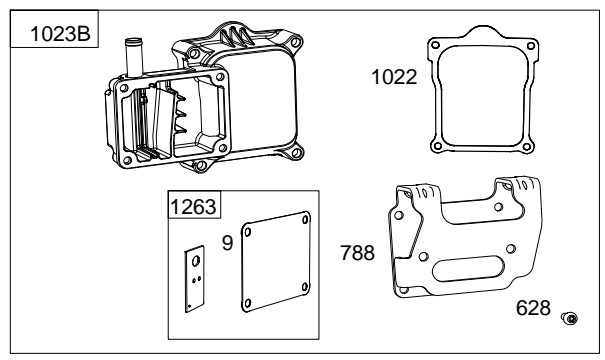
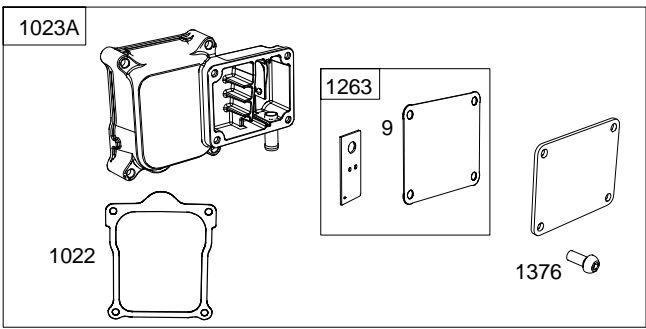
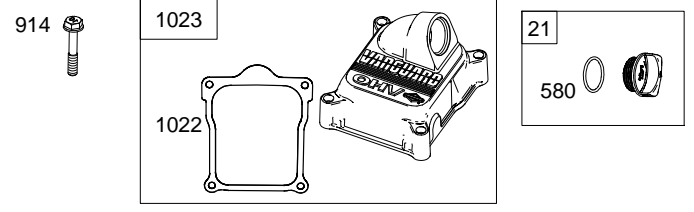
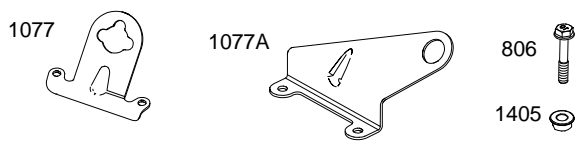
1319

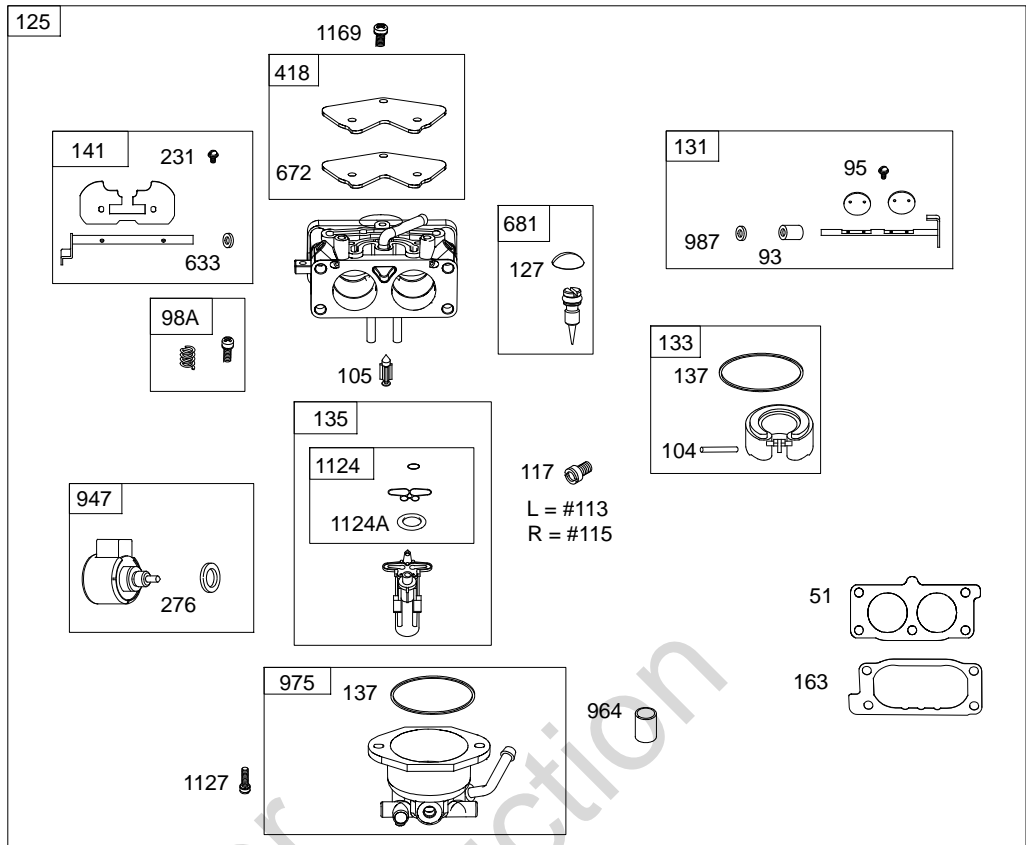
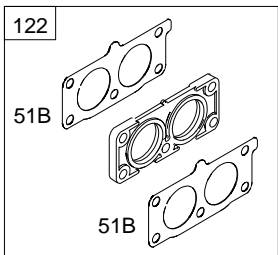
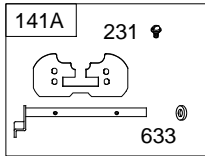
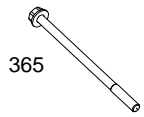
1330



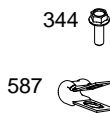
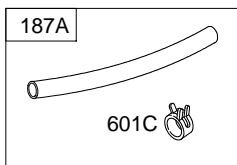
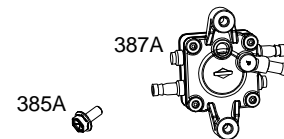
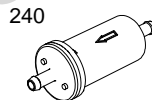
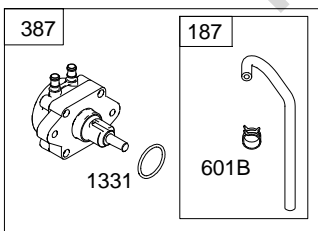


# 543700

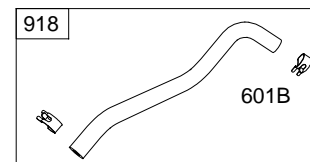
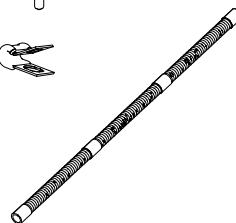


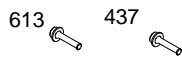
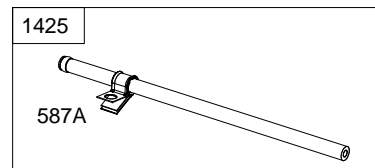
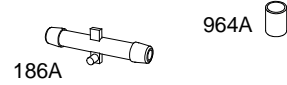
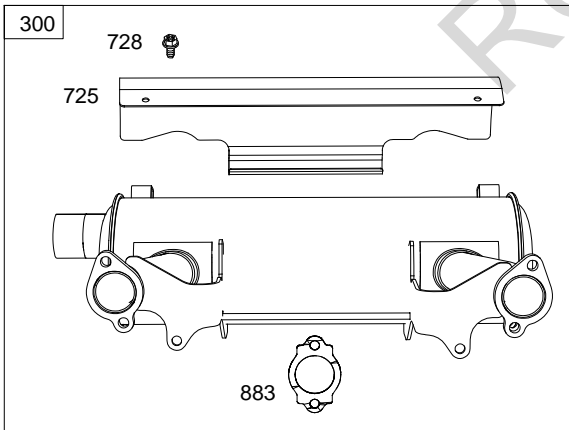
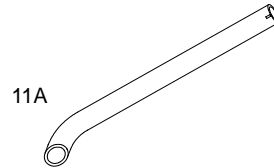
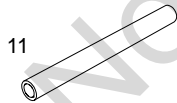
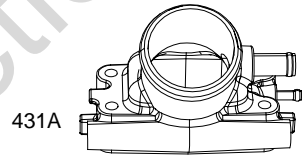
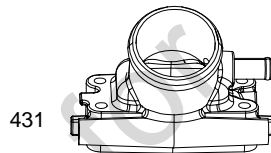
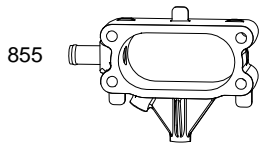
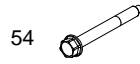
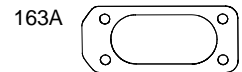
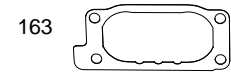
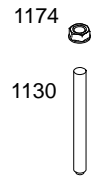
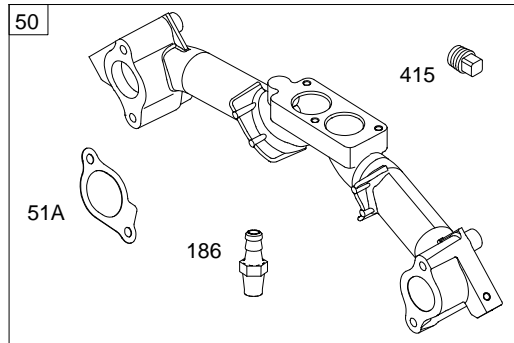
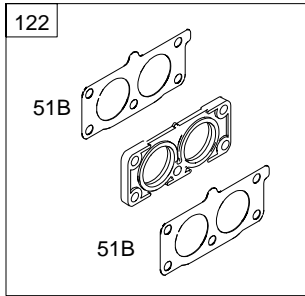


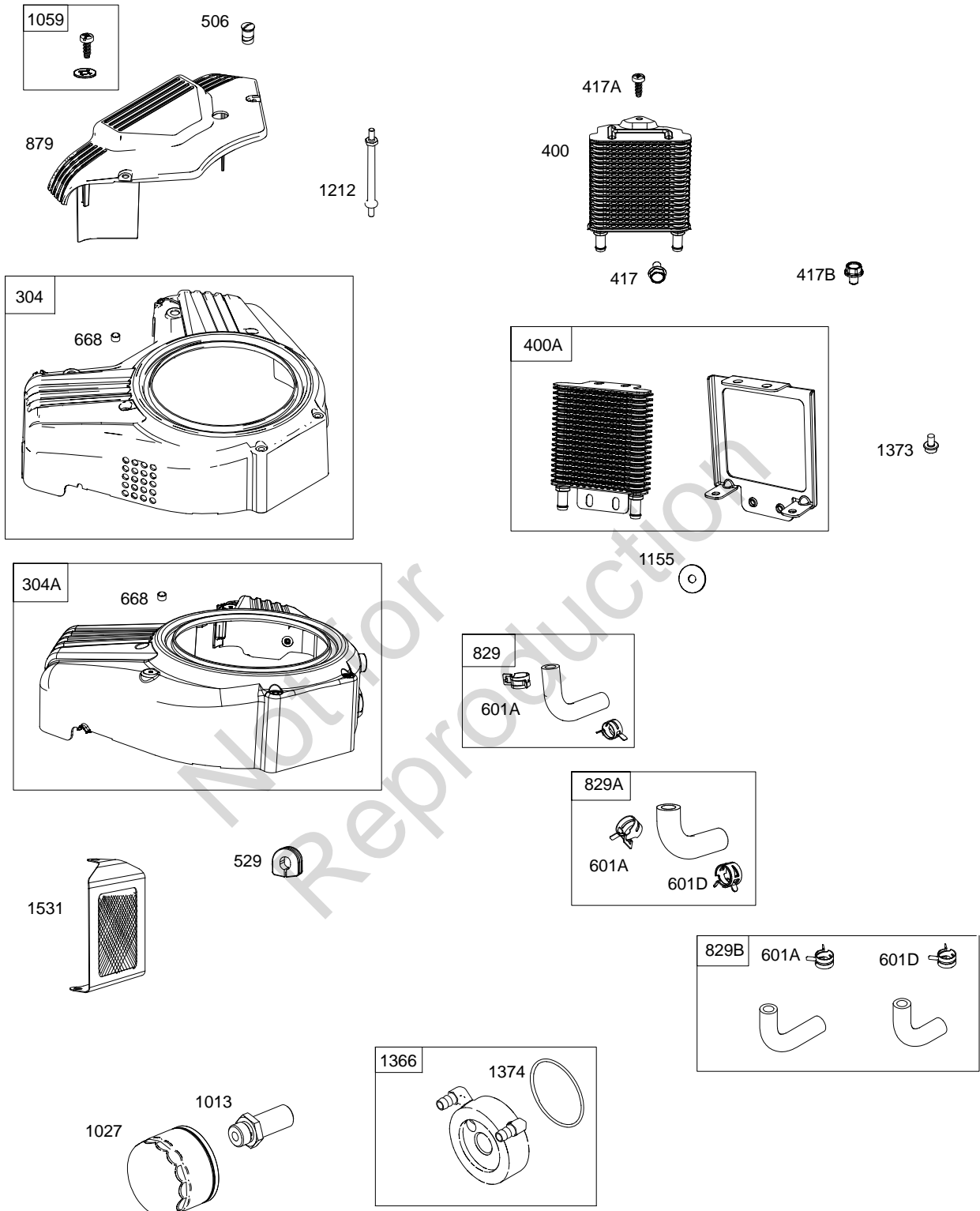
- 117A L = #114 R = #120
- 118 L = #108 R = #110
- 118A L = #108 R = #114

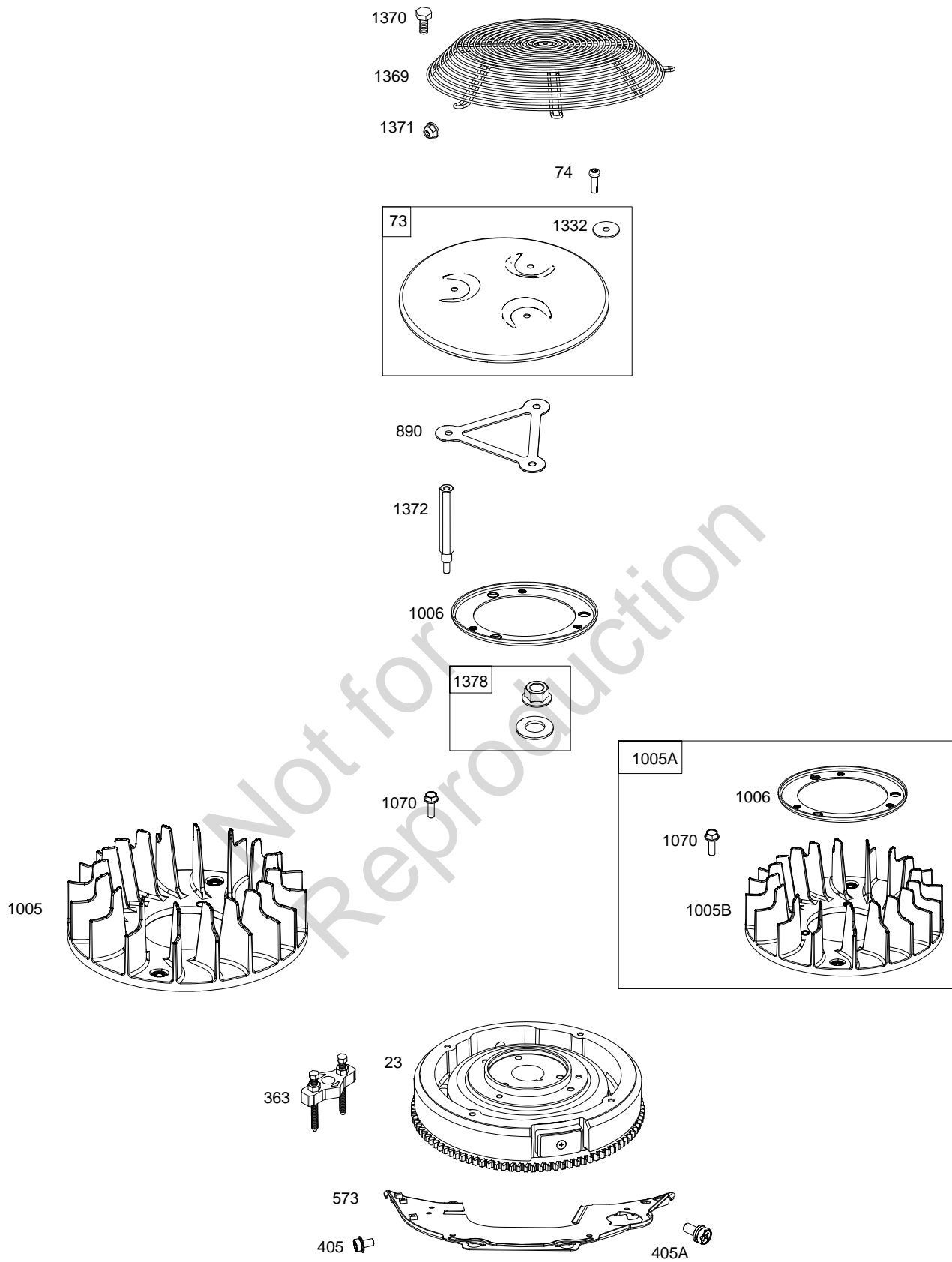


1336

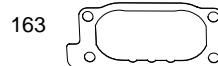
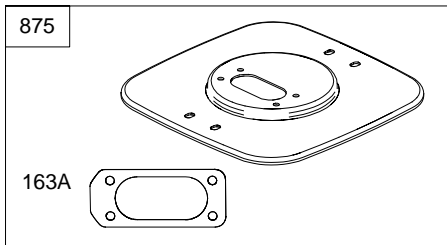
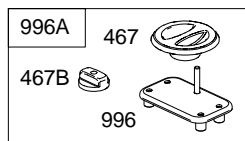
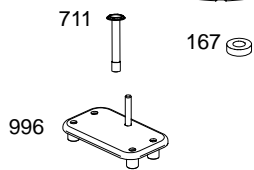
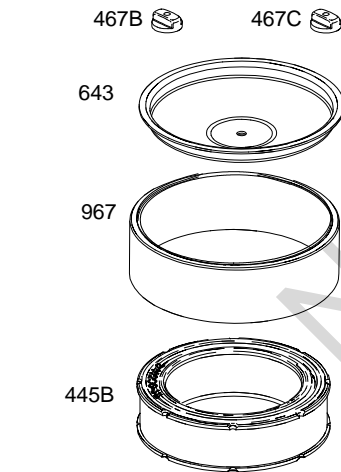
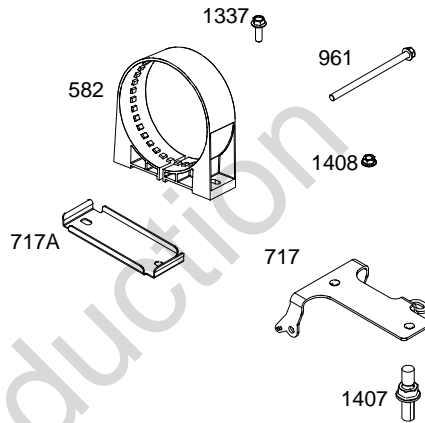
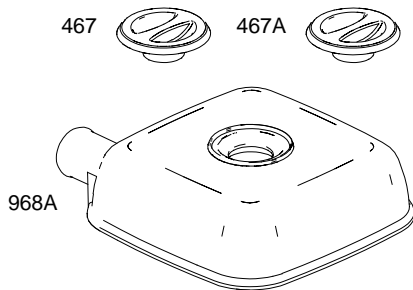
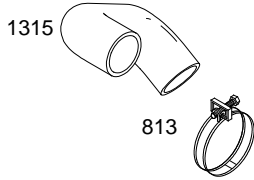
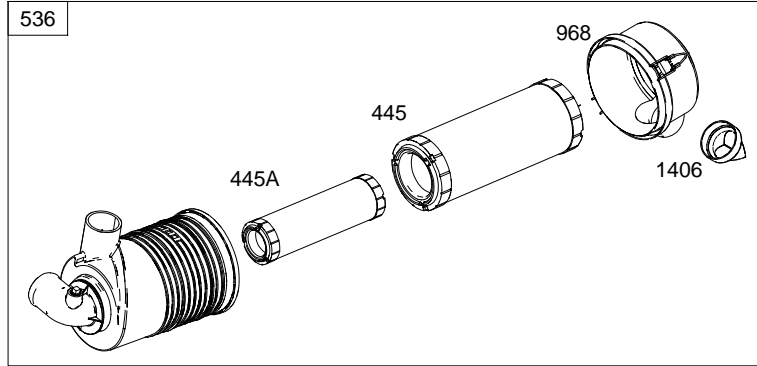
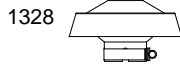


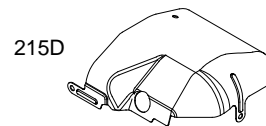
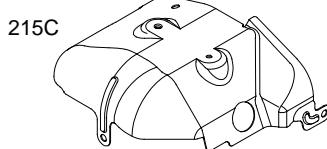
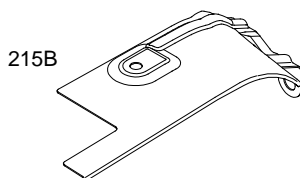
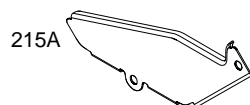
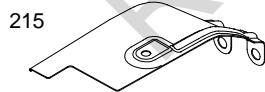
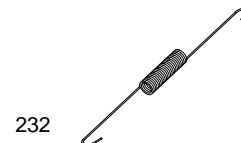
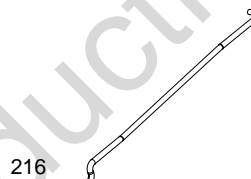
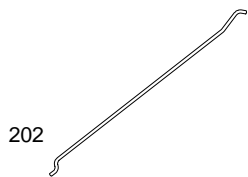
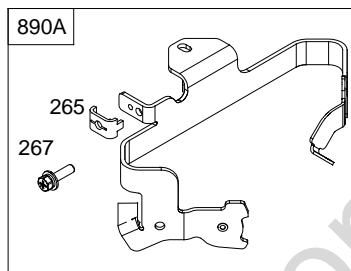
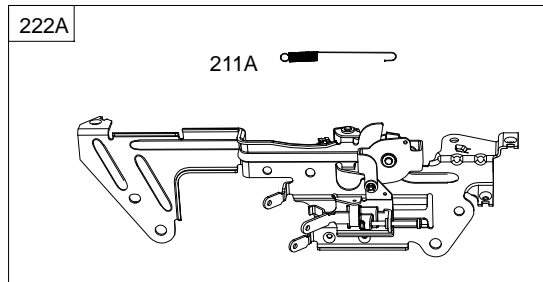
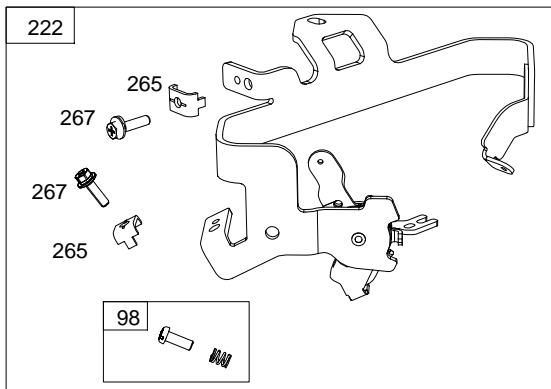


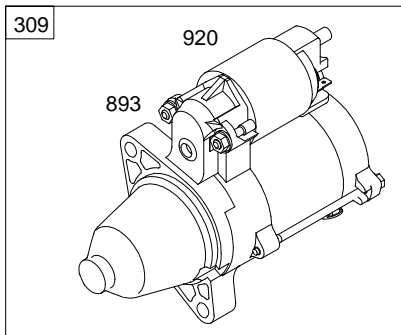
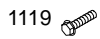
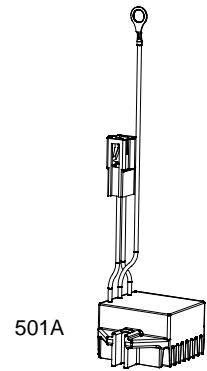
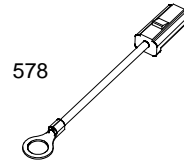
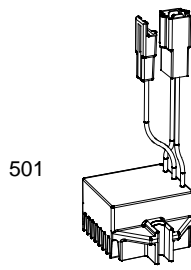
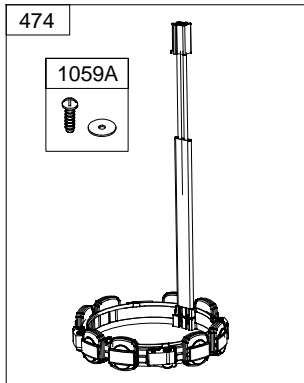




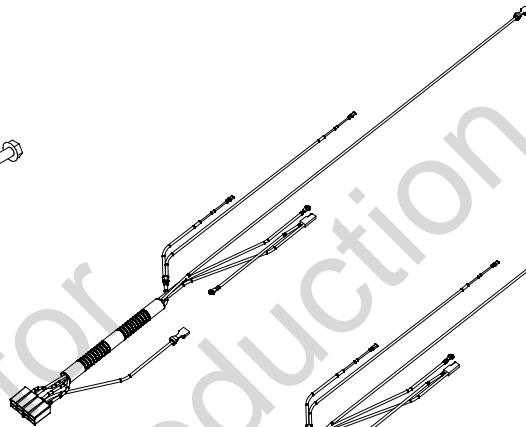




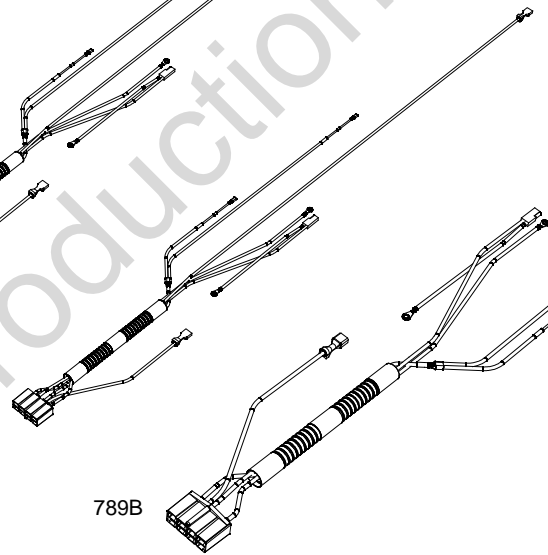




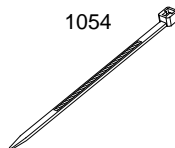
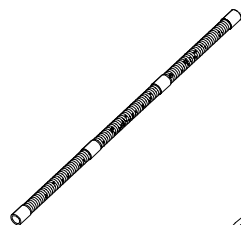
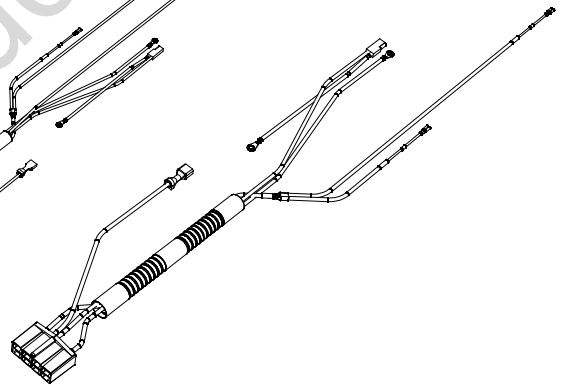
789



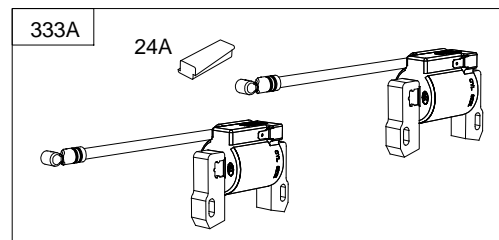
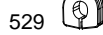
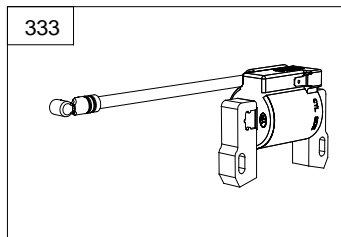
789A



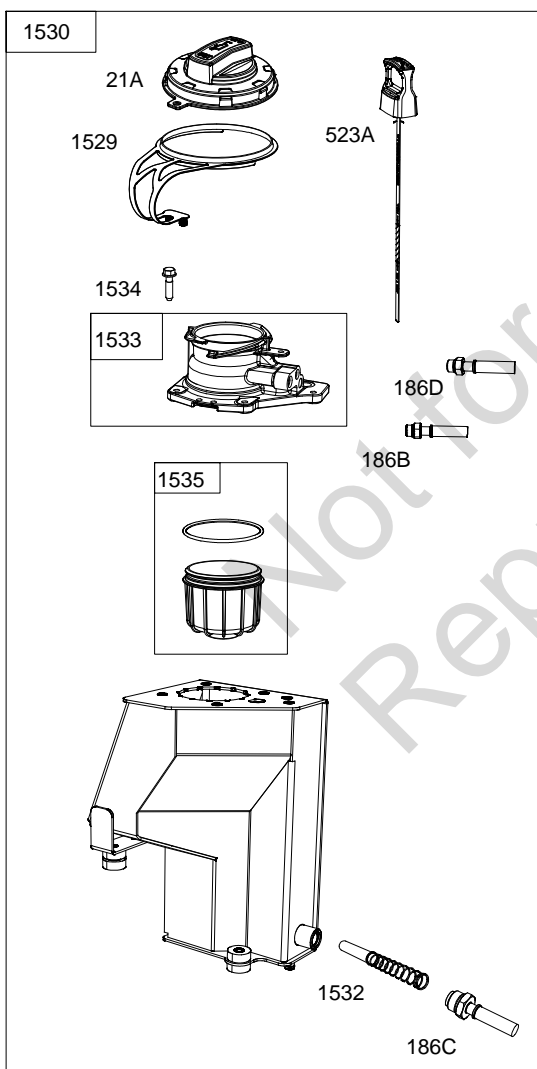
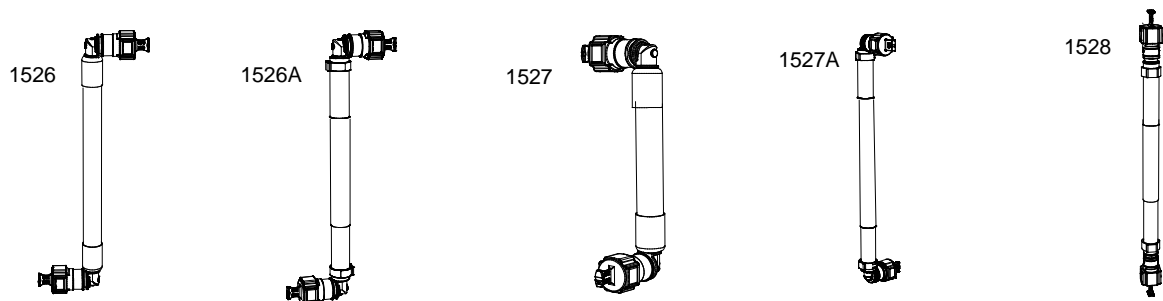
789B

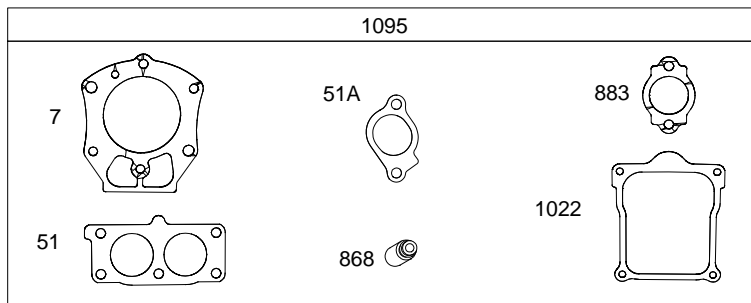
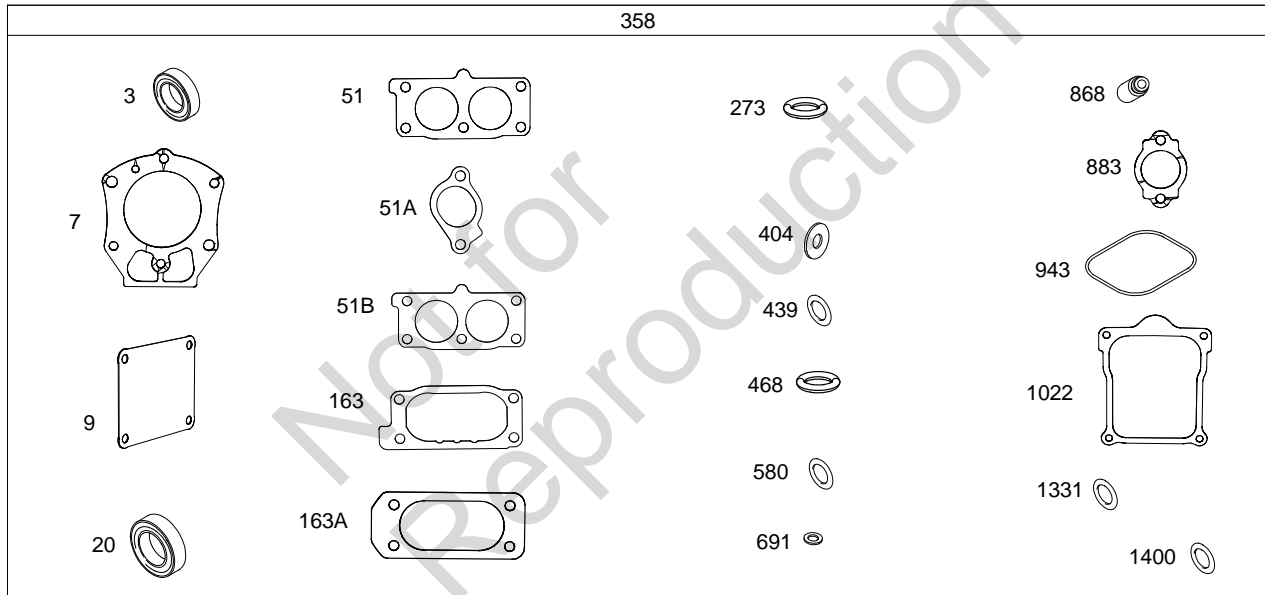
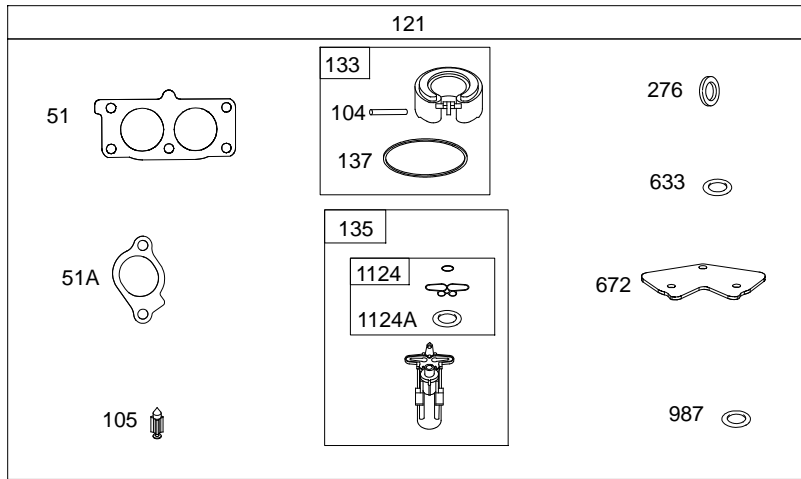


1336



OIL GUARD SYSTEM





# 543700

REF. NO.	PART NO.	DESCRIPTION	REF. NO.	PART NO.	DESCRIPTION	REF. NO.	PART NO.	DESCRIPTION
1	845799	Cylinder Assembly	22	690676	Screw (Crankcase Cover/Sump) (M8x63mm)	36	845589	Spring- Valve (Exhaust) (Pink)
1A	847382	Cylinder Used on Type No(s). 2125.				36A	809374	Spring- Valve (Exhaust) (White)
3	841596	Seal- Oil (Magneto Side)				40	844788	Keeper- Valve
4	845176	Sump- Engine				42	807683	Keeper- Valve
4A	847383	Sump- Engine Used on Type No(s). 2125.				45	809785	Tappet- Valve
5	845588	Head- Cylinder (Cylinder #1)				46	809879	Camshaft
5A	845590	Head- Cylinder (Cylinder #2)				46A	847381	Camshaft Used on Type No(s). 2125.
7	809730	Gasket- Cylinder Head	23	844385	Flywheel	50	844341	Manifold- Intake
9	842545	Gasket- Breather	24	796335	Key- Flywheel (Steel) (Used After Code Date 07122700).	51	809910	Gasket- Intake (Intake Hole Diameter - 30mm)
11	842541	Tube- Breather				51A	841592	Gasket- Intake
11A	808686	Tube- Breather (Cut to Required Length) Used on Type No(s). 0123.				51B	841882	Gasket- Intake (Intake Hole Diameter - 32mm) Used on Type No(s). 0010, 0011, 0124, 1110, 1120, 1121, 1124, 2120, 2124, 2125. 3121.
12	846037	Gasket- Crankcase (Used After Code Date 13072100).	24A	843837	Key- Flywheel (Offset Key) (Aluminum) (Used Before Code Date 06111500).	54	844656	Screw (Intake Manifold) (M8x69mm) (Used After Code Date 10092900).
12A	844107	Gasket- Crankcase (Used Before Code Date 13072200).				73	841840	Screen- Rotating
12B	843969	Gasket- Crankcase (Used After Code Date 13072100).	25	809790	Piston Assembly (Standard)	74	809947	Screw (Rotating Screen) (M6x20mm)
13	809784	Screw (Cylinder Head) (M9x70mm)				93	845864	Bushing- Throttle Shaft
15	807392	Plug- Oil Drain				95	690718	Screw (Throttle Valve)
15A	691680	Plug- Oil Drain Used on Type No(s). 2125.	26	809972	Ring Set (Standard)	98	843550	Kit- Idle Speed (Control Bracket)
16	842551	Crankshaft				98A	808177	Kit- Idle Speed (Carburetor)
20	841596	Seal- Oil (PTO Side)				104	690882	Pin- Float Hinge
21	843464	Cap- Oil Fill	27	807351	Lock- Piston Pin	105	696136	Valve- Float Needle
21A	595931	Cap- Oil Fill Used on Type No(s). 2125.	28	807361	Pin- Piston			
			29	809275	Rod- Connecting			
			32	807363	Screw (Connecting Rod)			
			33	844787	Valve- Exhaust			
			34	843730	Valve- Intake			
			35	845589	Spring- Valve (Intake) (Pink)			
			35A	809374	Spring- Valve (Intake) (White)			

REF. NO.	PART NO.	DESCRIPTION	REF. NO.	PART NO.	DESCRIPTION	REF. NO.	PART NO.	DESCRIPTION
117	791501	Jet- Main (Standard) (Left Jet) (#113) ----- <b>Note</b> ----- 796251 Jet- Main (Standard) (Right Jet) (#115)	167	841855	Seal- Air Cleaner Nut Used on Type No(s). 0123. (Used Before Code Date 13020100).	209	841684	Spring- Governor (Green) ----- <b>Note</b> ----- 843561 Spring- Governor (Brown) Used on Type No(s). 0110, 0123, 1110.
117A	699733	Jet- Main (Standard) (Left Jet) (#114) ----- <b>Note</b> ----- 842081 Jet- Main (Standard) (Right Jet) (#120)	186	844568	Connector- Hose (Intake Manifold) (Without Sealant Patch) ----- <b>Note</b> ----- 691764 Connector- Hose (Intake Manifold) (Sealant Patch)	211	809875	Spring- Governed Idle (White)
118	843099	Jet- Main (High Altitude) (Left Jet) (#108) ----- <b>Note</b> ----- 699457 Jet- Main (High Altitude) (Right Jet) (#110)	186A	845121	Connector- Hose (EVAP)	211A	690707	Spring- Governed Idle (Control Bracket) (White) Used on Type No(s). 0110, 0123, 1110.
118A	843099	Jet- Main (High Altitude) (Left Jet) (#108) ----- <b>Note</b> ----- 699733 Jet- Main (High Altitude) (Right Jet) (#114)	186B	847344	Connector- Hose (Engine Sump) or (Oil Filter Housing) Used on Type No(s). 2125.	215	809728	Guide- Air (Cylinder #1)
121	842697	Kit- Carburetor Overhaul	186C	847343	Connector- Hose Used on Type No(s). 2125.	215A	809739	Guide- Air
122	846245	Spacer- Carburetor	186D	847667	Connector- Hose (Oil Filter Housing) Used on Type No(s). 2125.	215B	809737	Guide- Air (Cylinder #2)
125	845275	Carburetor	187	844083	Line- Fuel (Formed)	215C	809738	Guide- Air (Cylinder #1)
127	844590	Plug- Welch	187A	791766	Line- Fuel (15 Inches) (Cut To Required Length) ----- <b>Note</b> ----- 791745 Line- Fuel (23 Inches) (Cut To Required Length)	215D	809897	Guide- Air (Cylinder #2)
131	842694	Kit- Throttle Shaft	188	807084	Screw (Control Bracket) (M6x14mm).	216	809788	Link- Choke (Used Before Code Date 11030100).
133	841545	Float- Carburetor	192	690083	Adjuster- Rocker Arm	219	809426	Gear- Governor
135	842677	Tube- Fuel Transfer	202	842533	Link- Mechanical Governor	220	841608	Washer (Governor Gear)
137	841651	Gasket- Fuel Bowl				221	841026	Cup- Governor
141	844876	Kit- Choke Shaft				222	842615	Bracket- Control Used on Type No(s). 0010, 0011, 0100, 0120, 0121, 0124, 1120, 1121, 1124, 2120, 2121, 2124, 2125, 3121.
141A	842695	Kit- Choke Shaft (Used Before Code Date 14041800). Used on Type No(s). 0100, 0120, 0121, 0123, 1110, 1121, 1124, 2121.				222A	841527	Bracket- Control Used on Type No(s). 0110, 0123, 1110.
163	807375	Gasket- Air Cleaner (Carburetor Side)				227	842534	Lever- Governor Control
163A	843117	Gasket- Air Cleaner (Air Cleaner Side) Used on Type No(s). 0123.				227A	809984	Lever- Governor Control Used on Type No(s). 0110, 0123, 1110.

# 543700

REF. NO.	PART NO.	DESCRIPTION	REF. NO.	PART NO.	DESCRIPTION	REF. NO.	PART NO.	DESCRIPTION
231	690718	Screw (Choke Valve)	358	841122	Gasket Set- Engine	437	809743	Screw (Exhaust Manifold)
232	843248	Spring- Governor Link	363	19203	Puller- Flywheel			(M8x25mm)
239	841281	Switch- Oil Pressure	365	841853	Screw (Carburetor)	439	692154	O Ring- Oil Gallery (Cylinder)
240	845125	Filter- Fuel			(M6x103mm)	439A	846027	O Ring- Oil Gallery (Cylinder)
265	691024	Clamp- Casing	377	691639	Key- Woodruff			(Used After Code Date 13072100).
267	841552	Screw (Casing Clamp) (M5x20mm)	383	19576s	Wrench- Spark Plug			
273	690681	Seal- O Ring (Oil Pump)	385	809876	Screw (Fuel Pump) (M5x22mm)	445	841497	Filter- Air Cleaner Cartridge
276	695410	Washer- Sealing	385A	807084	Screw (Fuel Pump) (M6x14mm)	445A	821136	Filter- Air Cleaner Cartridge
278	842122	Washer (Governor Control Lever)	387	844088	Pump- Fuel	445B	692519	Filter- Air Cleaner Cartridge
294	690939	Nut (Carburetor Shield)	387A	844527	Pump- Fuel	467	846008	Knob- Air Cleaner (M8) (Used After Code Date 14012700).
300	846153	Muffler (Oil Filter Side Outlet) Used on Type No(s). 1124, 2124.	400	846249	Cooler- Oil (Used After Code Date 14052200).	467A	841846	Knob- Air Cleaner (M6) (Used Before Code Date 14012800).
304	846481	Housing- Blower (Oil Cooler)	400A	846489	Cooler- Oil (Used Before Code Date 14052300).	467B	846007	Knob- Air Cleaner (M8) (Used After Code Date 14012700).
304A	847386	Housing- Blower (Non Oil Cooler) Used on Type No(s). 2125.	404	809436	Washer (Governor Crank)	467C	844618	Knob- Air Cleaner (M6) (Used Before Code Date 14012800).
309	845761	Motor- Starter	405	841233	Screw (Back Plate) (M6x10mm)	468	690690	Seal- O Ring (Oil Pump Screen)
333	845126	Armature- Magneto (Used After Code Date 06111400).	405A	841735	Screw (Back Plate) (M6x14mm) (Used After Code Date 14121500).	474	846882	Alternator
333A	843860	Armature- Magneto (Includes Offset Flywheel Key) (Used Before Code Date 06111500).	415	794903	Plug	490	843433	Bearing- Magneto Side
334	692066	Screw (Magneto Armature) (M4x23mm).	417	841233	Screw (Oil Cooler) (M6x10mm)	501	593843	Regulator
337	491055s	Plug- Spark ----- Note ----- 792015 Plug- Spark Used on Type No(s). 0010, 0011, 0120, 0124, 1120, 2120, 2124, 2125.	417A	846250	Screw (Oil Cooler) (M6x16mm) (Used After Code Date 14050200).	501A	847385	Regulator (20 Amp) Used on Type No(s). 0010, 0011, 0124, 2120, 2125.
344	841233	Screw (Cable Clamp) (M6x10mm)	417B	843345	Screw (Oil Cooler) (M6x8mm) (Used Before Code Date 13072700).	505	690238	Nut (Governor Control Lever)
348	843360	Stud (Carburetor Shield) (M6x134mm)	418	844844	Plate- Carburetor Cover	506	809957	Screw (Carburetor Cover) (Used Before Code Date 11041800).
			431	842528	Elbow- Intake Used on Type No(s). 0011, 0100, 0110, 0120, 0121, 1110, 1120, 1121, 1124.	523	842542	Dipstick
			431A	845862	Elbow- Intake Used on Type No(s). 0010, 0124, 2120, 2121, 2124, 2125 3121.	523A	595603	Dipstick Used on Type No(s). 2125.



REF. NO.	PART NO.	DESCRIPTION	REF. NO.	PART NO.	DESCRIPTION	REF. NO.	PART NO.	DESCRIPTION
526	690717	Screw (Regulator) (M6x30mm)	615	698290	Retainer- Governor Shaft (Crankcase Cover/Sump)	789	847060	Harness- Wiring (Used After Code Date 15110100). Used on Type No(s). 0011, 0124, 2125.
527	845268	Clamp- Tube (Purge Line Hose) (Used Before Code Date 10070700).	615A	809533	Retainer- Governor Shaft (Cylinder)	789A	809906	Harness- Wiring Used on Type No(s). 0121, 0124, 1121, 2121, 3121. (Used Before Code Date 15110200).
529	690744	Grommet (Magneto Armature Wires)	616	844180	Crank- Governor	789B	847061	Harness- Wiring Used on Type No(s). 0010, 2120. (Used After Code Date 15110100).
536	809670	Cleaner- Air	628	842547	Screw (Fuel Pump Bracket)	798	691492	Screw (Rocker Arm)
562	843344	Bolt (Governor Control Lever) (M6x40mm)	633	690722	Seal- Choke/Throttle Shaft (Choke Shaft)	806	807357	Screw (Lifting Bracket) (M6x40mm)
573	846840	Plate- Back (Without Weld Nuts)	635	692076	Boot- Spark Plug	813	807376	Clamp (Air Cleaner Hose)
578	846899	Wire Assembly (Regulator to Starter Motor) (Used After Code Date 15110100).	643	844932	Retainer- Air Filter	829	846248	Hose- Oil Cooler (Used After Code Date 14052200).
580	809894	Seal- O Ring (Oil Fill Cap)	668	841974	Spacer (Blower Housing)	829A	846247	Hose- Oil Cooler (Used After Code Date 14052200).
582	809878	Clamp- Air Cleaner	672	842696	Gasket- Carburetor Plate	829B	841503	Hose- Oil Cooler (Used Before Code Date 14052300).
587	846866	Clamp- Cable	681	845290	Kit- Needle Valve	850	100106	Sealant- Liquid (Oil Filter Housing) Used on Type No(s). 2125.
587A	807116	Clamp- Cable (Purge Line Hose)	691	809287	Seal- Governor Shaft	855	843362	Adapter- Air Cleaner Used on Type No(s). 0123.
596	807385	Screw (Oil Pump) (M6x35mm)	697	690711	Screw (Starter Motor)			
601	844405	Clamp- Hose (Breather Hose) (Used After Code Date 07121300).	710	847356	Cover- Oil Filter Used on Type No(s). 2125.			
601A	841597	Clamp- Hose (Oil Cooler Hose)	711	843361	Screw (Carburetor Shield) (M6x136mm)			
601B	691038	Clamp- Hose (Black)	717	842529	Bracket- Air Cleaner			
601C	791850	Clamp- Hose (Green)	717A	841886	Bracket- Air Cleaner			
601D	845209	Clamp- Hose (Oil Cooler Hose)	718	690959	Pin- Locating (Cylinder)			
601E	841499	Clamp- Hose (Breather Hose) (Used Before Code Date 07121400).	718A	809508	Pin- Locating (Cylinder Head)			
613	692062	Screw (Muffler) (M8x18mm)	718B	845925	Pin- Locating (Cylinder)			
			725	841132	Shield- Heat			
			728	692067	Screw (Heat Shield)			
			741	809432	Gear- Timing			
			750	842537	Screw (Oil Pump Cover)			
			788	844530	Bracket- Fuel Pump			

# 543700

REF. NO.	PART NO.	DESCRIPTION	REF. NO.	PART NO.	DESCRIPTION	REF. NO.	PART NO.	DESCRIPTION
868	691963	Seal- Valve	1006	847198	Retainer- Fan	1059	845300	Kit- Screw/Washer (Carburetor/EFI Cover)
871	692057	Bushing- Valve Guide	1013	841602	Nipple- Oil Filter			(Used After Code Date 11041700).
875	843118	Base- Air Cleaner	1017	842535	Screen- Oil Pump	1059A	698516	Kit- Screw/Washer (Alternator)
879	842526	Cover- Carburetor	1017A	796214	Screen- Oil Pump Used on Type No(s). 2125.	1070	807435	Screw (Flywheel Fan) (M6x20mm)
883	809872	Gasket- Exhaust	1022	809732	Gasket- Rocker Cover	1077	809729	Bracket- Lifting
890	809987	Bracket- Support	1023	842540	Cover- Rocker (Cylinder #2)	1077A	842616	Bracket- Lifting
890A	843358	Bracket- Support	1023A	842543	Cover- Rocker (Cylinder #1)	1095	843713	Gasket Set- Valve
893	845758	Nut (Starter Solenoid)	1023B	844529	Cover- Rocker (Cylinder #1)	1100	791959	Pivot- Rocker Arm
914	807357	Screw (Rocker Cover) (M6x40mm)			Used on Type No(s). 0010, 0011, 0124, 1110, 1120, 1121, 1124, 2120, 2124, 2125, 3121.	1119	691552	Screw (Alternator) (M4x30mm)
918	844526	Hose- Vacuum	1023C	847384	Cover- Rocker (Cylinder #2)	1124	842678	Seal- O Ring (Fuel Transfer Tube)
920	846737	Solenoid- Starter			Used on Type No(s). 2125.	1124A	841653	Seal- O Ring (Fuel Transfer Tube)
943	842538	Seal- O Ring (Oil Pump Cover)	1024	846026	Pump- Oil (Used After Code Date 13012700).	1127	841621	Screw (Float Bowl to Carburetor Body)
947	841546	Solenoid- Fuel			----- Note -----	1130	841590	Stud (Intake Manifold) (Used Before Code Date 10093000).
961	842530	Screw (Air Cleaner Bracket) (M8x30mm)			<b>NO LONGER AVAILABLE</b>	1155	806647	Washer (Oil Cooler) (Used Before Code Date 13072700).
964	807468	Cap- Connector (Carburetor)	1024A	847388	Pump- Oil Used on Type No(s). 2125.	1169	690990	Screw (Carburetor Cover Plate)
964A	590799	Cap- Connector (EVAP)	1024B	847355	Pump- Oil Used on Type No(s). 2125.	1174	842067	Nut (Intake Manifold) (Used Before Code Date 10093000).
965	842536	Cover- Oil Pump	1026	809783	Rod- Push (Intake and Exhaust)	1212	809958	Stud (Blower Housing)
967	692520	Filter- Pre Cleaner	1027	842921	Filter- Oil	1263	842544	Reed- Breather
968	842621	Cover- Air Cleaner	1027A	595930	Filter- Oil Used on Type No(s). 2125.	1280	796863	Seal- O Ring (Oil Filter Cover) Used on Type No(s). 2125.
968A	841847	Cover- Air Cleaner	1029	690972	Arm- Rocker	1315	809905	Hose- Air Cleaner
975	843551	Bowl- Float	1029A	807323	Arm- Rocker	1319	794467	Label- Warning
987	808183	Seal- Throttle Shaft	1036		Label- Emissions (Available From A Briggs & Stratton Authorized Dealer)	1328	809907	Cap- A/C Rain
996	846006	Shield- Carburetor (M8 Stud) (Used After Code Date 14012700).	1054	280275	Tie- Cable	1330	272144	Repair Manual
996A	846013	Shield- Carburetor (M8 Stud) (Used Before Code Date 14012800).				1331	809894	Seal- O Ring (Fuel Pump)
1005	846996	Fan- Flywheel (Used After Code Date 15070600). Used on Type No(s). 0010, 0011, 0124, 2120, 2125.						
1005A	847199	Fan- Flywheel (Used Before Code Date 15070700).						
1005B	846995	Fan- Flywheel (Used Before Code Date 15070700).						

REF. NO.	PART NO.	DESCRIPTION	REF. NO.	PART NO.	DESCRIPTION	REF. NO.	PART NO.	DESCRIPTION
1332	809948	Washer (Rotating Screen)	1406	842623	Valve- Debris	1528	847351	Vent Hose- Oil (567mm Long)
1334	690677	Screw (Air Guide) (M4x12mm)	1407	842531	Stud (Air Cleaner Bracket)			Used on Type No(s). 2125.
1334A	692062	Screw (Air Guide) (M8x18mm)	1408	690941	Nut (Air Cleaner Bracket)	1529	595932	Tether (Oil Fill Cap)
1334B	807084	Screw (Air Guide) (M6x14mm)	1425	844712	Hose- Purge Line			Used on Type No(s). 2125.
1334C	841233	Screw (Air Guide) (M6x10mm)	1523	847341	Valve- Check Used on Type No(s). 2125.	1530	595945	Tank- Oil Used on Type No(s). 2125.
1336	841015	Shield- Wire Protective	1524	847342	Kit- O Ring (Hose Connector) (Dry Sump Application)			Used on Type No(s). 2125. (Mounting Grommets Available through OEM)
1337	807382	Screw (Air Cleaner Clamp) (M8x25mm)	1526	847349	Supply Hose- Oil (338mm Long) Used on Type No(s). 2125.	1531	847397	Cover- Oil Cooler Used on Type No(s). 2125.
1366	841510	Diverter- Oil Cooler	1526A	847347	Supply Hose- Oil (382mm Long) Used on Type No(s). 2125.	1532	847398	Screen- Oil (Oil Tank) Used on Type No(s). 2125.
1369	842858	Guard- Flywheel Fan	1527	847350	Scavenge Hose- Oil (549mm Long) Used on Type No(s). 2125.	1533	595986	Housing- Oil Filter Used on Type No(s). 2125.
1370	841233	Screw (Flywheel Fan Guard) (M6x10mm)	1527A	847348	Scavenge Hose- Oil (499mm Long) Used on Type No(s). 2125.	1534	593637	Screw (Oil Filter Housing) Used on Type No(s). 2125.
1371	841537	Nut (Flywheel Fan Guard)				1535	595987	Cup- Oil Filter (Oil Filter Housing) Used on Type No(s). 2125.
1372	809946	Stud (Rotating Screen)						
1373	841233	Screw (Oil Cooler Bracket) (Used After Code Date 13072600).						
1374	841506	Seal- O Ring (Oil Cooler Diverter)						
1376	842547	Screw (Breather/Reed Cover) (M6x14mm)						
1378	844795	Washer/Nut Set (Flywheel)						
1398	842191	Cover- Fuel Pump						
1399	690932	Screw (Fuel Pump Cover) (M5x10mm)						
1400	809894	Seal- O Ring (Fuel Pump Cover)						
1405	690941	Nut (Lifting Bracket) (Used Before Code Date 15020100).						

Not for  
Reproduction

