

(en) *Operator's Manual*

(es) *Manual del Operario*

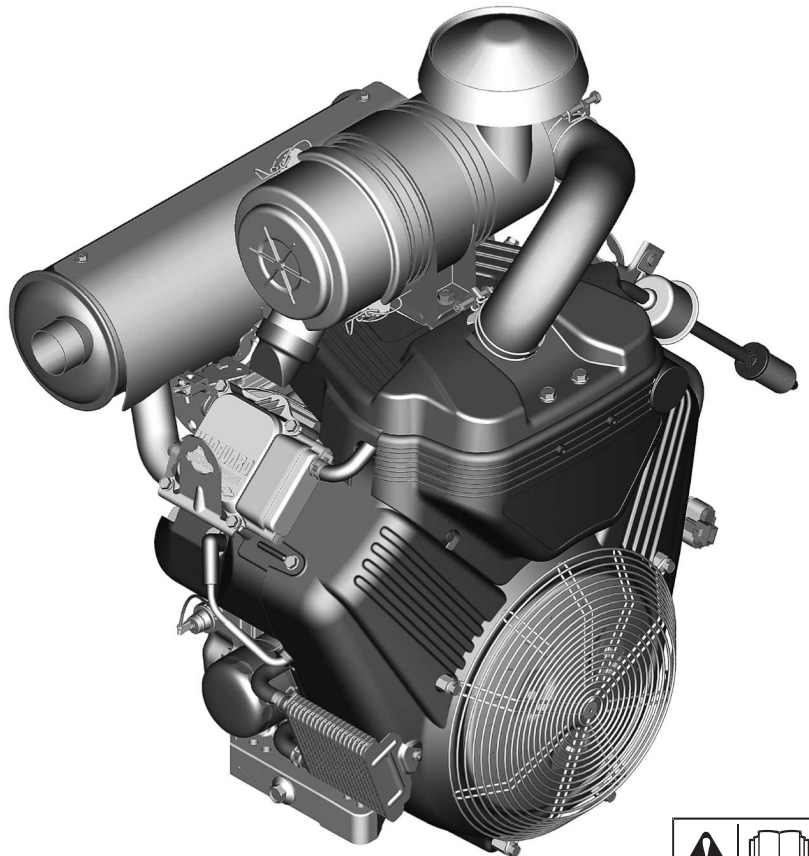
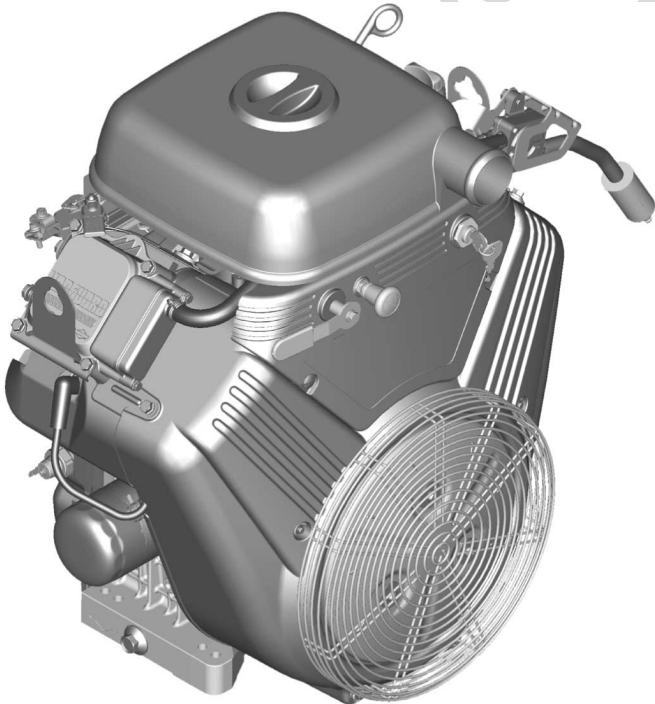
(fr) *Manuel d'utilisation*

(pt) *Manual do Operador*

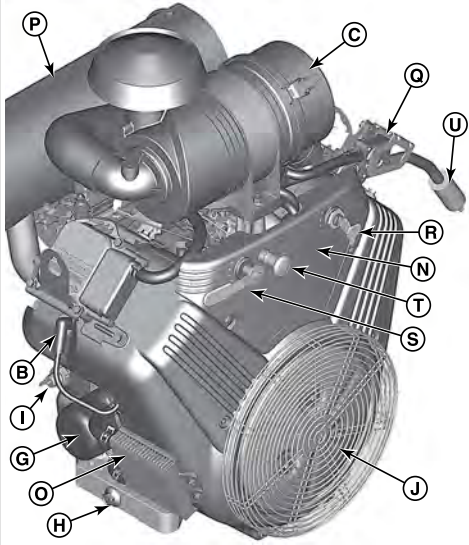
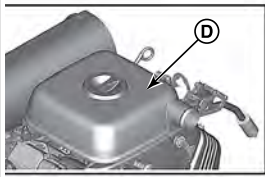
(sw) *Mwongozo wa Mwendeshaji*

(ar) *دليل المشغل*

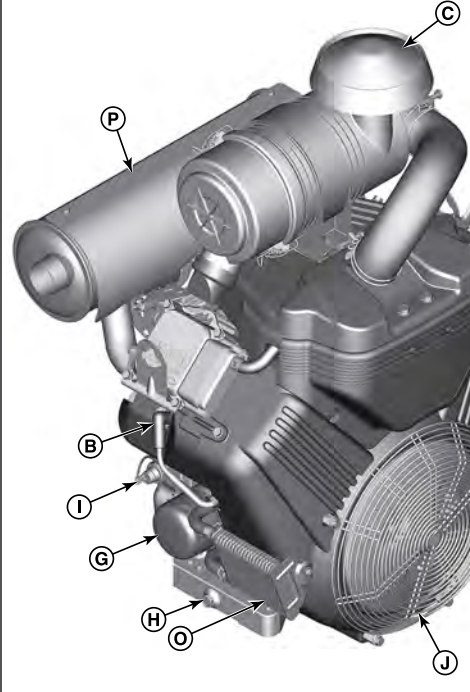
Models: 540000  
610000  
61E100



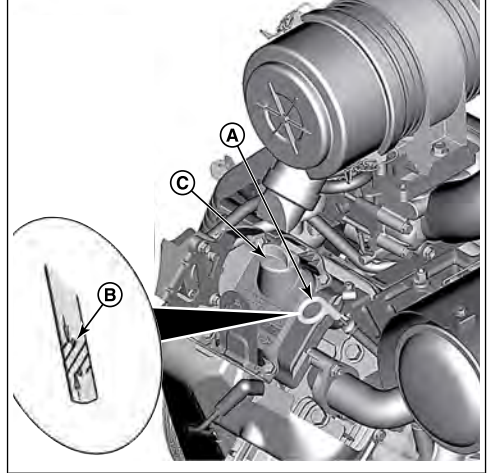
1



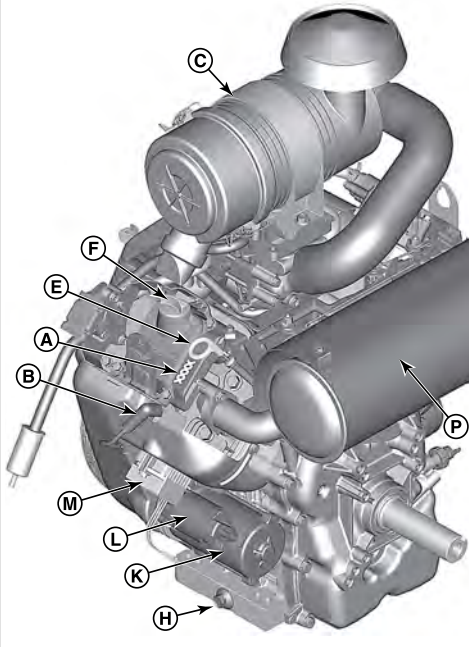
3



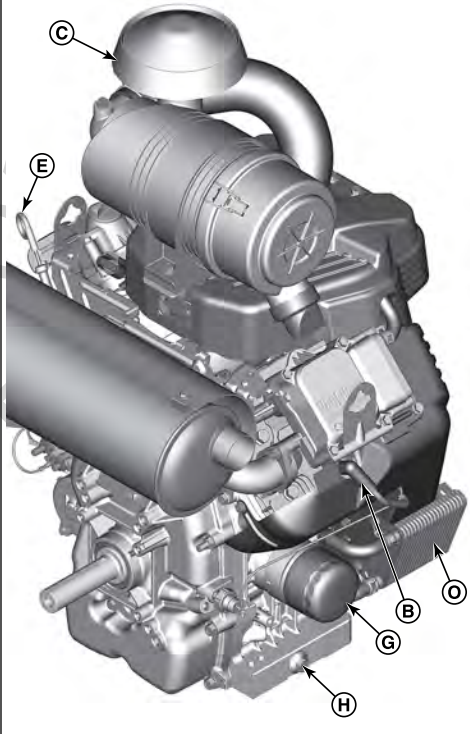
5



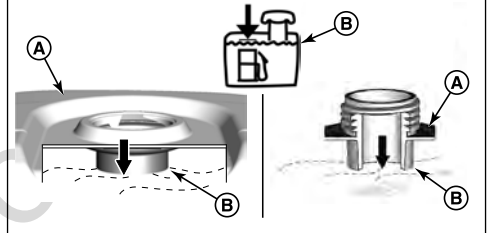
2



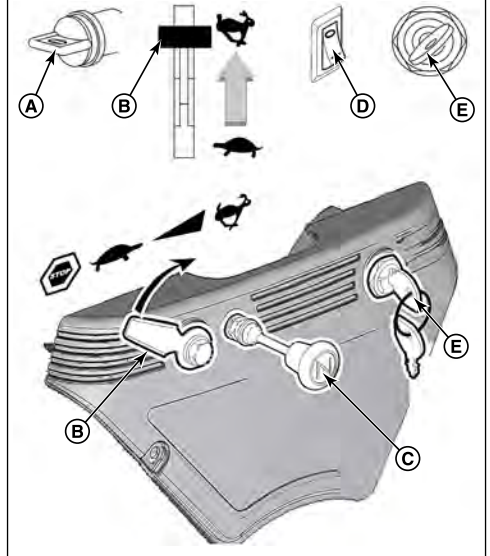
4



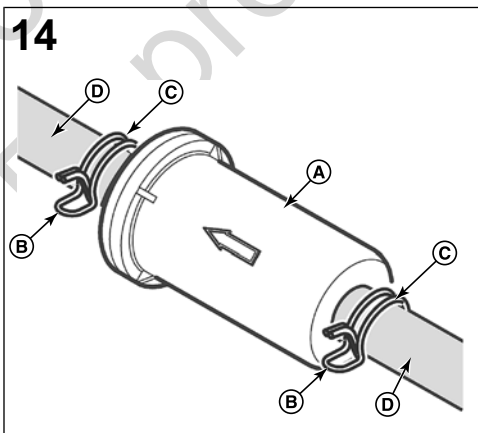
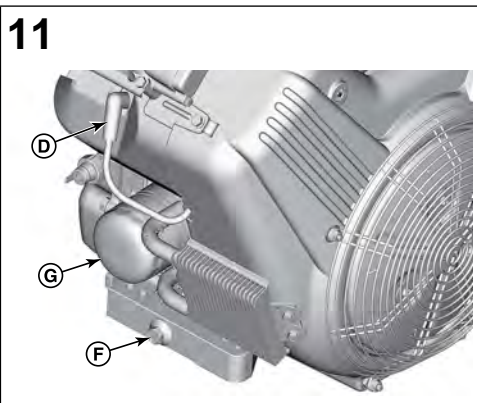
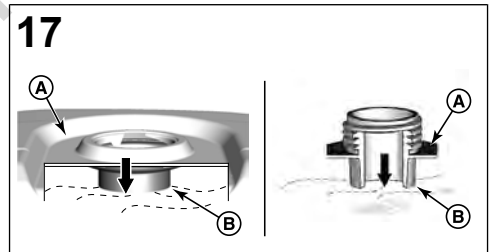
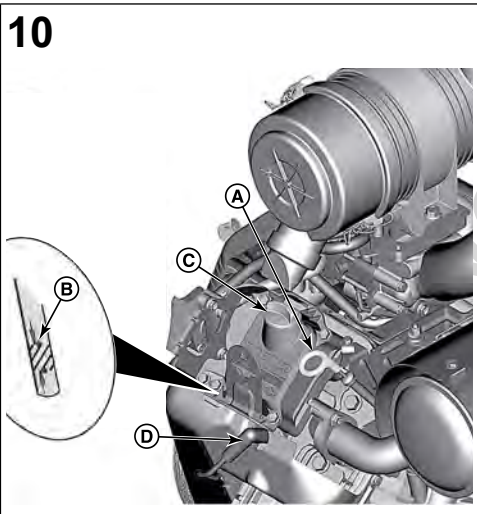
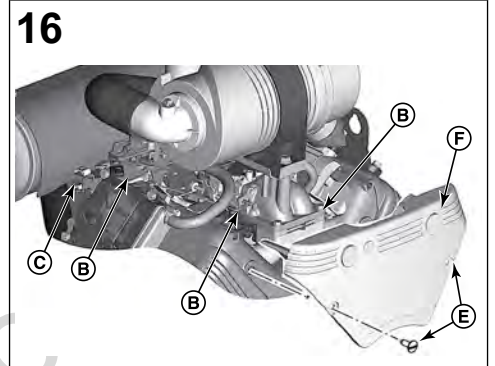
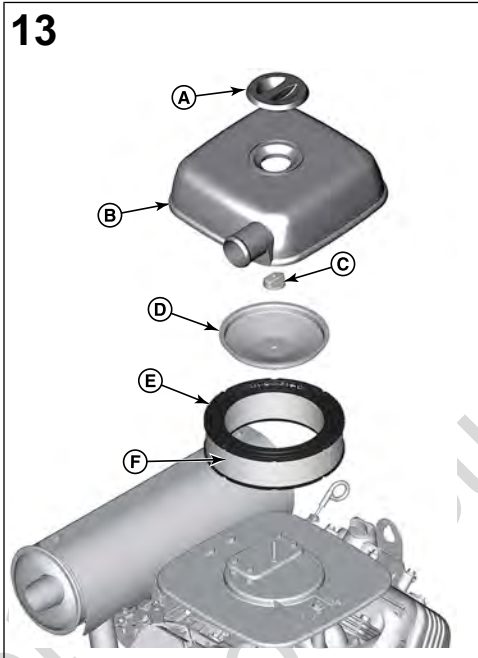
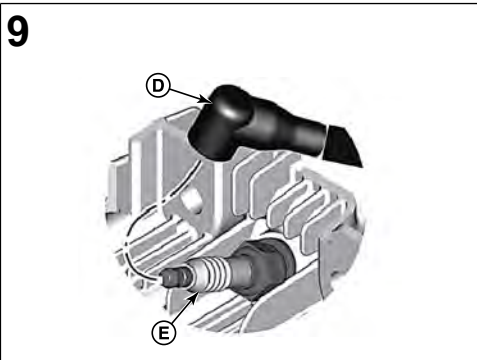
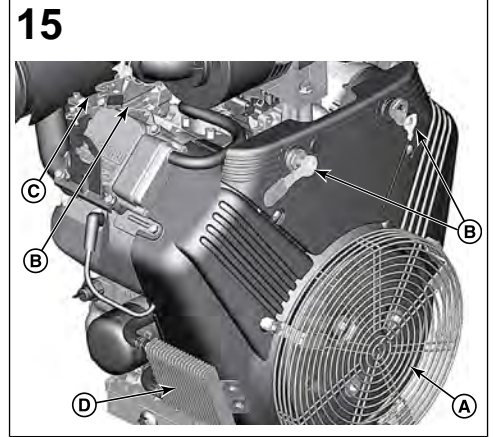
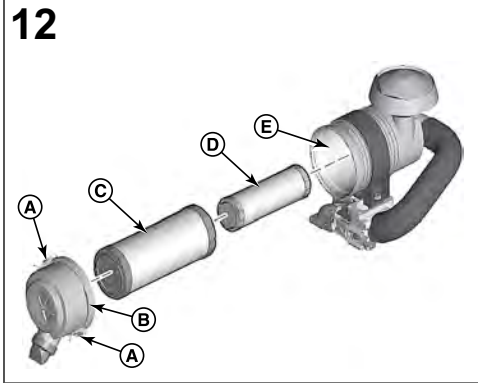
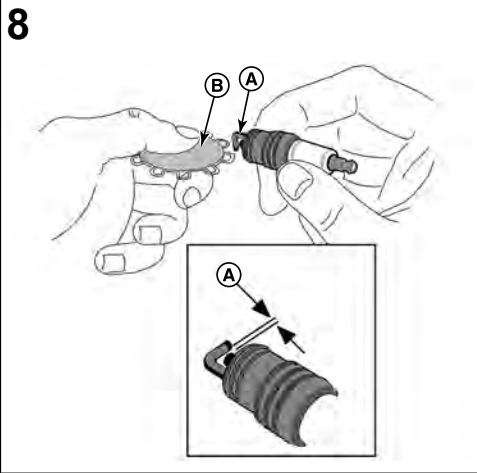
6



7







This manual contains safety information to make you aware of the hazards and risks associated with engines and how to avoid them. It also contains instructions for the proper use and care of the engine. Because Briggs & Stratton Corporation does not necessarily know what equipment this engine will power, it is important that you read and understand these instructions and the instructions for the equipment. **Save these original instructions for future reference.**

*Note:* The figures and illustrations in this manual are provided for reference only and may differ from your specific model. Contact your dealer if you have questions.

For replacement parts or technical assistance, record below the engine model, type, and code numbers along with the date of purchase. These numbers are located on your engine (see the **Features and Controls** section).

<b>Date of Purchase</b>	
<b>Engine Model - Type - Trim</b>	
<b>Engine Serial Number</b>	

Look for the 2D barcode located on some engines. When viewed with a 2D-capable device, the code will bring up our website where you can access support information for this product. Data rates apply. Some countries may not have online support information available.



## Recycling Information

		All packaging, used oil, and batteries should be recycled according to applicable government regulations.
--	--	---

## Operator Safety

### Safety Alert Symbol and Signal Words

The safety alert symbol is used to identify safety information about hazards that can result in personal injury. A signal word (DANGER, WARNING, or CAUTION) is used with the alert symbol to indicate the likelihood and the potential severity of injury. In addition, a hazard symbol may be used to represent the type of hazard.

**DANGER** indicates a hazard which, if not avoided, **will result in death or serious injury.**

**WARNING** indicates a hazard which, if not avoided, **could result in death or serious injury.**

**CAUTION** indicates a hazard which, if not avoided, **could result in minor or moderate injury.**

**NOTICE** indicates an situation that **could result in damage to the product.**

### Hazard Symbols and Meanings

Symbol	Meaning	Symbol	Meaning
	Safety information about hazards that can result in personal injury.		Read and understand the Operator's Manual before operating or servicing the unit.
	Fire hazard		Explosion hazard

Symbol	Meaning	Symbol	Meaning
	Shock hazard		Toxic fume hazard
	Hot surface hazard		Noise hazard - Ear protection recommended for extended use.
	Thrown object hazard - Wear eye protection.		Explosion hazard
	Frostbite hazard		Kickback hazard
	Amputation hazard - moving parts		Chemical Hazard
	Thermal heat hazard		Corrosive

## Safety Messages



### WARNING

Certain components in this product and its related accessories contain chemicals known to the State of California to cause cancer, birth defects, or other reproductive harm. Wash hands after handling.



### WARNING

The engine exhaust from this product contains chemicals known to the State of California to cause cancer, birth defects, or other reproductive harm.



### WARNING

Briggs & Stratton Engines are not designed for and are not to be used to power: fun-karts; go-karts; children's, recreational, or sport all-terrain vehicles (ATVs); motorbikes; hovercraft; aircraft products; or vehicles used in competitive events not sanctioned by Briggs & Stratton. For information about competitive racing products, see [www.briggsracing.com](http://www.briggsracing.com). For use with utility and side-by-side ATVs, please contact Briggs & Stratton Engine Application Center, 1-866-927-3349. Improper engine application may result in serious injury or death.



### WARNING



**Fuel and its vapors are extremely flammable and explosive.**

**Fire or explosion can cause severe burns or death.**

#### When Adding Fuel

- Turn engine off and let engine cool at least 2 minutes before removing the fuel cap.
- Fill fuel tank outdoors or in well-ventilated area.
- Do not overfill fuel tank. To allow for expansion of the fuel, do not fill above the bottom of the fuel tank neck.
- Keep fuel away from sparks, open flames, pilot lights, heat, and other ignition sources.
- Check fuel lines, tank, cap, and fittings frequently for cracks or leaks. Replace if necessary.
- If fuel spills, wait until it evaporates before starting engine.

#### When Starting Engine

- Ensure that spark plug, muffler, fuel cap and air cleaner (if equipped) are in place and secured.
- Do not crank engine with spark plug removed.
- If engine floods, set choke (if equipped) to OPEN / RUN position, move throttle (if equipped) to FAST position and crank until engine starts.

#### When Operating Equipment

- Do not tip engine or equipment at angle which causes fuel to spill.
- Do not choke the carburetor to stop engine.
- Never start or run the engine with the air cleaner assembly (if equipped) or the air filter (if equipped) removed.

#### When Changing Oil

- If you drain the oil from the top oil fill tube, the fuel tank must be empty or fuel can leak out and result in a fire or explosion.

#### When Tipping Unit for Maintenance

- When performing maintenance that requires the unit to be tipped, the fuel tank, if mounted on the engine, must be empty or fuel can leak out and result in a fire or explosion.

#### When Transporting Equipment

- Transport with fuel tank EMPTY or with fuel shut-off valve in the CLOSED position.

#### When Storing Fuel Or Equipment With Fuel In Tank

- Store away from furnaces, stoves, water heaters or other appliances that have pilot lights or other ignition sources because they can ignite fuel vapors.



**Starting engine creates sparking.**

**Sparking can ignite nearby flammable gases.**

**Explosion and fire could result.**

- If there is natural or LP gas leakage in area, do not start engine.
- Do not use pressurized starting fluids because vapors are flammable.



**POISONOUS GAS HAZARD. Engine exhaust contains carbon monoxide, a poisonous gas that could kill you in minutes. You CANNOT see it, smell it, or taste it. Even if you do not smell exhaust fumes, you could still be exposed to carbon monoxide gas. If you start to feel sick, dizzy, or weak while using this product, get to fresh air RIGHT AWAY. See a doctor. You may have carbon monoxide poisoning.**

- Operate this product ONLY outside far away from windows, doors and vents to reduce the risk of carbon monoxide gas from accumulating and potentially being drawn towards occupied spaces.
- Install battery-operated carbon monoxide alarms or plug-in carbon monoxide alarms with battery back-up according to the manufacturer's instructions. Smoke alarms cannot detect carbon monoxide gas.
- DO NOT run this product inside homes, garages, basements, crawlspaces, sheds, or other partially-enclosed spaces even if using fans or opening doors and windows for ventilation. Carbon monoxide can quickly build up in these spaces and can linger for hours, even after this product has shut off.
- ALWAYS place this product downwind and point the engine exhaust away from occupied spaces.



**Rapid retraction of starter cord (kickback) will pull hand and arm toward engine faster than you can let go.**

**Broken bones, fractures, bruises or sprains could result.**

- When starting engine, pull the starter cord slowly until resistance is felt and then pull rapidly to avoid kickback.
- Remove all external equipment / engine loads before starting engine.
- Direct-coupled equipment components such as, but not limited to, blades, impellers, pulleys, sprockets, etc., must be securely attached.



**Rotating parts can contact or entangle hands, feet, hair, clothing, or accessories.**

**Traumatic amputation or severe laceration can result.**

- Operate equipment with guards in place.
- Keep hands and feet away from rotating parts.
- Tie up long hair and remove jewelry.
- Do not wear loose-fitting clothing, dangling drawstrings or items that could become caught.



**Running engines produce heat. Engine parts, especially muffler, become extremely hot.**

**Severe thermal burns can occur on contact.**

**Combustible debris, such as leaves, grass, brush, etc. can catch fire.**

- Allow muffler, engine cylinder and fins to cool before touching.
- Remove accumulated debris from muffler area and cylinder area.
- It is a violation of California Public Resource Code, Section 4442, to use or operate the engine on any forest-covered, brush-covered, or grass-covered land unless the exhaust system is equipped with a spark arrester, as defined in Section 4442, maintained in effective working order. Other states or federal jurisdictions may have similar laws. Contact the original equipment manufacturer, retailer, or dealer to obtain a spark arrester designed for the exhaust system installed on this engine.



**Unintentional sparking can result in fire or electric shock.**

**Unintentional start-up can result in entanglement, traumatic amputation, or laceration.**

**Fire hazard**

**Before performing adjustments or repairs:**

- Disconnect the spark plug wire and keep it away from the spark plug.
- Disconnect battery at negative terminal (only engines with electric start.)
- Use only correct tools.
- Do not tamper with governor spring, links or other parts to increase engine speed.
- Replacement parts must be of the same design and installed in the same position as the original parts. Other parts may not perform as well, may damage the unit, and may result in injury.
- Do not strike the flywheel with a hammer or hard object because the flywheel may later shatter during operation.

**When testing for spark:**

- Use approved spark plug tester.
- Do not check for spark with spark plug removed.

## Features and Controls

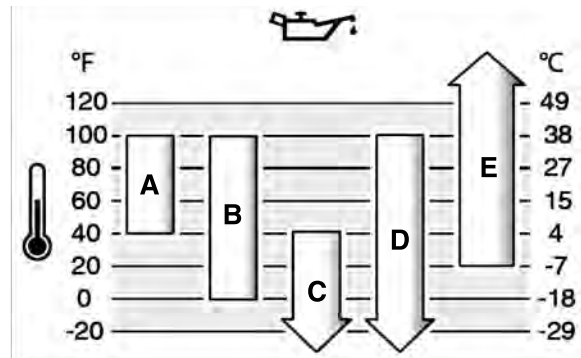
### Engine Controls

Compare the illustration (Figure: 1, 2, 3, 4) with your engine to familiarize yourself with the location of various features and controls.

- Engine Identification Numbers **Model - Type - Code**
- Spark Plug
- Air Cleaner, Cyclonic
- Air Cleaner, Low Profile
- Dipstick
- Oil Fill
- Oil Filter
- Oil Drain Plug

- I. Oil Pressure Sensor
- J. Finger Guard
- K. Electric Starter
- L. Starter Solenoid
- M. Regulator/Rectifier
- N. Carburetor - Carburetor Models
- O. Oil Cooler (if equipped)
- P. Muffler (if equipped)
- Q. Fuel Pump
- R. Starter Switch <sup>1</sup>
- S. Throttle Control <sup>1</sup>
- T. Choke Control - Carburetor Models <sup>1</sup>
- U. Fuel Filter (if equipped)

<sup>1</sup> Some engines and equipment have remote controls. See the equipment manual for location and operation of remote controls.



A	SAE 30 - Below 40 °F (4 °C) the use of SAE 30 will result in hard starting.
B	10W-30 - Above 80 °F (27 °C) the use of 10W-30 may cause increased oil consumption. Check oil level more frequently.
C	5W-30
D	Synthetic 5W-30
E	Vanguard™ Synthetic 15W-50

## Engine Control Symbols and Meanings

Symbol	Meaning	Symbol	Meaning
	Engine speed - FAST		Engine speed - SLOW
	Engine speed - STOP		ON - OFF
	Engine start - Choke CLOSED		Engine start - Choke OPEN
	Fuel Cap Fuel Shut-off - OPEN		Fuel Shut-off - CLOSED
	Fuel level - Maximum Do not overfill		

## Operation

### Oil Recommendations

**Oil Capacity:** See the *Specifications* section.

#### NOTICE

This engine was shipped from Briggs & Stratton without oil. Equipment manufacturers or dealers may have added oil to the engine. Before you start the engine for the first time, make sure to check the oil level and add oil according to the instructions in this manual. If you start the engine without oil, it will be damaged beyond repair and will not be covered under warranty.

We recommend the use of Briggs & Stratton Warranty Certified oils for best performance. Other high-quality detergent oils are acceptable if classified for service SF, SG, SH, SJ or higher. Do not use special additives.

Outdoor temperatures determine the proper oil viscosity for the engine. Use the chart to select the best viscosity for the outdoor temperature range expected. Engines on most outdoor power equipment operate well with 5W-30 Synthetic oil. For equipment operated in hot temperatures, Vanguard™ 15W-50 Synthetic oil provides the best protection.

## Check Oil Level

See Figure: 5

### Before adding or checking the oil

- Make sure the engine is level.
- Clean the oil fill area of any debris.

1. Remove the dipstick (A, Figure 5) and wipe with a clean cloth.
2. Fully install the dipstick (A, Figure 5).
3. Remove the dipstick and check the oil level. Correct oil level is at the top of the full indicator (B, Figure 5) on the dipstick.
4. If oil level is low, slowly add oil into the engine oil fill (C, Figure 5). **Do not overfill.** After adding oil, wait one minute and then recheck the oil level.
5. Fully install the dipstick (A, Figure 5).

## Low Oil Protection System (if equipped)

Some engines are equipped with a low oil sensor. If the oil is low, the sensor will either activate a warning light or stop the engine. Stop the engine and follow these steps before restarting the engine.

- Make sure the engine is level.
- Check the oil level. See the *Check Oil Level* section.
- If the oil level is low, add the proper amount of oil. Start the engine and make sure the warning light (if equipped) is not activated.
- If the oil level is not low, do not start the engine. Contact a Briggs & Stratton Authorized Service Dealer to have the oil problem corrected.

## Fuel Recommendations

### Fuel must meet these requirements:

- Clean, fresh, unleaded gasoline.
- A minimum of 87 octane/87 AKI (91 RON). High altitude use, see below.
- Gasoline with up to 10% ethanol (gasohol) is acceptable.

**NOTICE** Do not use unapproved gasolines, such as E15 and E85. Do not mix oil in gasoline or modify the engine to run on alternate fuels. Use of unapproved fuels will damage the engine components, which will not be covered under warranty.

To protect the fuel system from gum formation, mix a fuel stabilizer into the fuel. See **Storage**. All fuel is not the same. If starting or performance problems occur, change fuel providers or change brands. This engine is certified to operate on gasoline. The emissions control system for this engine is EM (Engine Modifications).

### High Altitude

At altitudes over 5,000 feet (1524 meters), a minimum 85 octane/85 AKI (89 RON) gasoline is acceptable.

For carbureted engines, high altitude adjustment is required to maintain performance. Operation without this adjustment will cause decreased performance, increased fuel consumption, and increased emissions. Contact a Briggs & Stratton Authorized Service



Dealer for high altitude adjustment information. Operation of the engine at altitudes below 2,500 feet (762 meters) with the high altitude adjustment is not recommended.

For Electronic Fuel Injection (EFI) engines, no high altitude adjustment is necessary.

## Add Fuel

See Figure: 6



**WARNING**

**Fuel and its vapors are extremely flammable and explosive.**

**Fire or explosion can cause severe burns or death.**

### When adding fuel

- Turn engine off and let engine cool at least 2 minutes before removing the fuel cap.
  - Fill fuel tank outdoors or in well-ventilated area.
  - Do not overfill fuel tank. To allow for expansion of the fuel, do not fill above the bottom of the fuel tank neck.
  - Keep fuel away from sparks, open flames, pilot lights, heat, and other ignition sources.
  - Check fuel lines, tank, cap, and fittings frequently for cracks or leaks. Replace if necessary.
  - If fuel spills, wait until it evaporates before starting engine.
1. Clean the fuel cap area of dirt and debris. Remove the fuel cap.
  2. Fill the fuel tank (A, Figure 6) with fuel. To allow for expansion of the fuel, do not fill above the bottom of the fuel tank neck (B).
  3. Reinstall the fuel cap.

## Start and Stop Engine

See Figure: 7

### Start Engine



**WARNING**

**Fuel and its vapors are extremely flammable and explosive.**

**Fire or explosion can cause severe burns or death.**

### When Starting Engine

- Ensure that spark plug, muffler, fuel cap and air cleaner (if equipped) are in place and secured.
- Do not crank engine with spark plug removed.
- If engine floods, set choke (if equipped) to OPEN / RUN position, move throttle (if equipped) to FAST position and crank until engine starts.



**WARNING**

**POISONOUS GAS HAZARD. Engine exhaust contains carbon monoxide, a poisonous gas that could kill you in minutes. You CANNOT see it, smell it, or taste it. Even if you do not smell exhaust fumes, you could still be exposed to carbon monoxide gas. If you start to feel sick, dizzy, or weak while using this product, shut it off and get to fresh air RIGHT AWAY. See a doctor. You may have carbon monoxide poisoning.**

- Operate this product ONLY outside far away from windows, doors and vents to reduce the risk of carbon monoxide gas from accumulating and potentially being drawn towards occupied spaces.
- Install battery-operated carbon monoxide alarms or plug-in carbon monoxide alarms with battery back-up according to the manufacturer's instructions. Smoke alarms cannot detect carbon monoxide gas.
- DO NOT run this product inside homes, garages, basements, crawlspaces, sheds, or other partially-enclosed spaces even if using fans or opening doors and windows for ventilation. Carbon monoxide can quickly build up in these spaces and can linger for hours, even after this product has shut off.
- ALWAYS place this product downwind and point the engine exhaust away from occupied spaces.

**NOTICE** This engine was shipped from Briggs & Stratton without oil. Before you start the engine, make sure you add oil according to the instructions in this manual. If you start the engine without oil, it will be damaged beyond repair and will not be covered under warranty.

### Determine The Starting System

Before starting the engine, you must determine the type of starting system that is on your engine. Your engine will have one of the following types.

- **Electronic Fuel Injection (EFI) System:** This features Electronic Fuel Injection. It does not have a choke or a primer.
- **Choke System:** This features a choke to be used for starting in cool temperatures. Some models will have a separate choke control while others will have a combination choke and throttle control. This type does not have a primer.

**Note:** Equipment may have remote controls. See the equipment manual for location and operation of remote controls.

### Electronic Fuel Injection (EFI) System

1. Check the engine oil. See the **Check Oil Level** section.
2. Make sure equipment drive controls, if equipped, are disengaged.
3. Move the fuel shut-off (A, Figure 7), if equipped, to the OPEN position.
4. Move the throttle control (B, Figure 7), if equipped, to the FAST position. Operate the engine in the FAST position.
5. Push the stop switch (D, Figure 7), if equipped, to the ON position.
6. Turn the electric start switch (E, Figure 7) to the ON or START position.

**NOTICE** To extend the life of the starter, use short starting cycles (five seconds maximum). Wait one minute between starting cycles.

**Note:** If the engine does not start after repeated attempts, contact you local dealer or go to [VanguardEngines.com](http://VanguardEngines.com) or call 1-800-999-9333 (in USA).

### Choke System

1. Check the engine oil. See the **Check Oil Level** section.
2. Make sure equipment drive controls, if equipped, are disengaged.
3. Move the fuel shut-off (A, Figure 7), if equipped, to the OPEN position.
4. Move the throttle control (B, Figure 7), if equipped, to the FAST position. Operate the engine in the FAST position.
5. Move the choke control (C, Figure 7), or the combination choke and throttle, to the CLOSED position.
6. Push the stop switch (D, Figure 7), if equipped, to the ON position.
7. Turn the key switch (E, Figure 7) to the ON or START position.
8. If the engine fires but will not continue to run, move the choke control (C, Figure 7) to the OPEN position to start the engine.

**Note:** To start the engine with a dry fuel system (first time starting or after running out of fuel), additional cranking time in the choke position will be required. This will give the fuel pump time to prime the fuel system.

**NOTICE** To extend the life of the starter, use short starting cycles (five seconds maximum). Wait one minute between starting cycles.

9. As the engine warms up, move the choke control (C, Figure 7) to the OPEN position.

**Note:** If the engine does not start after repeated attempts, contact you local dealer or go to [VanguardEngines.com](http://VanguardEngines.com) or call 1-800-999-9333 (in USA).

### Stop Engine



**WARNING**

**Fuel and its vapors are extremely flammable and explosive.**

**Fire or explosion can cause severe burns or death.**

- Do not choke the carburetor to stop the engine.

1. **Stop Switch, if equipped:** Move the stop switch (D, Figure 7) to the OFF position. **Key Switch, if equipped:** With the throttle control in the SLOW position, turn the key switch (E, Figure 7) to the OFF position. Remove the key and keep in a safe place out of the reach of children.
2. After the engine stops, move the fuel shut-off (A, Figure 7), if equipped, to the CLOSED position.

# Maintenance

**NOTICE** If the engine is tipped during maintenance, the fuel tank, if mounted on engine, must be empty and the spark plug side must be up. If the fuel tank is not empty and if the engine is tipped in any other direction, it may be difficult to start due to oil or gasoline contaminating the air filter and/or the spark plug.



## WARNING

When performing maintenance that requires the unit to be tipped, the fuel tank, if mounted on the engine, must be empty or fuel can leak out and result in a fire or explosion.

We recommend that you see any Briggs & Stratton Authorized Service Dealer for all maintenance and service of the engine and engine parts.

**NOTICE** All the components used to build this engine must remain in place for proper operation.



## WARNING



**Unintentional sparking can result in fire or electric shock.**

**Unintentional start-up can result in entanglement, traumatic amputation, or laceration.**

### Fire hazard

#### Before performing adjustments or repairs:

- Disconnect the spark plug wire and keep it away from the spark plug.
- Disconnect battery at negative terminal (only engines with electric start.)
- Use only correct tools.
- Do not tamper with governor spring, links or other parts to increase engine speed.
- Replacement parts must be of the same design and installed in the same position as the original parts. Other parts may not perform as well, may damage the unit, and may result in injury.
- Do not strike the flywheel with a hammer or hard object because the flywheel may later shatter during operation.

#### When testing for spark:

- Use approved spark plug tester.
- Do not check for spark with spark plug removed.

## Emissions Control Service

**Maintenance, replacement, or repair of the emissions control devices and systems may be performed by any off-road engine repair establishment or individual.** However, to obtain "no charge" emissions control service, the work must be performed by a factory authorized dealer. See the Emissions Control Statements.

## Maintenance Schedule

Every 8 Hours or Daily
<ul style="list-style-type: none"> <li>• Check engine oil level</li> <li>• Clean area around muffler and controls</li> </ul>
Every 100 Hours or Annually
<ul style="list-style-type: none"> <li>• Replace spark plugs</li> <li>• Change engine oil</li> <li>• Replace oil filter (if equipped)</li> <li>• Service air filter <sup>1,2</sup></li> <li>• Clean pre-cleaner (if equipped) <sup>1</sup></li> <li>• Service exhaust system</li> </ul>
Every 250 Hours
<ul style="list-style-type: none"> <li>• Check valve clearance. Adjust if necessary.</li> </ul>
Every 400 Hours or Annually
<ul style="list-style-type: none"> <li>• Replace air filter <sup>2</sup></li> <li>• Replace fuel filter</li> <li>• Service cooling system <sup>1</sup></li> <li>• Clean oil cooler fins <sup>1</sup></li> </ul>

#### Every 600 Hours or Annually

- Replace safety filter (if equipped)

- <sup>1</sup> In dusty conditions or when airborne debris is present, clean more often.
- <sup>2</sup> Every third air filter change, replace the inner safety filter (if equipped).

## Electronic Fuel Injection (EFI) System

The EFI System monitors engine temperature, engine speed, and battery voltage for engine starting and warm up. There are no adjustments on the system. If starting or operation problems occur, contact a Briggs & Stratton Authorized Service Dealer.

**NOTICE** Make sure to follow the steps below or the EFI System could be damaged.

- Never start the engine if the battery cables are loose.
- Turn the key to the off position before disconnecting, removing and or installing the battery.
- Never use a battery charger to start the engine.
- Never disconnect the battery cables while the engine is running.
- When connecting the battery cables, first connect the positive (+) cable and then connect the negative (-) cable to the battery.
- When charging the battery, turn the ignition switch to the off position and disconnect the negative (-) battery cable from the battery.
- Do not spray water directly on the Electronic Control Module.

## Carburetor and Engine Speed

Never make adjustments to the carburetor or engine speed. The carburetor was set at the factory to operate efficiently under most conditions. Do not tamper with the governor spring, linkages, or other parts to change the engine speed. If any adjustments are required contact a Briggs & Stratton Authorized Service Dealer for service.

**NOTICE** The equipment manufacturer specifies the maximum speed for the engine as installed on the equipment. **Do not exceed** this speed. If you are unsure what the equipment maximum speed is, or what the engine speed is set to from the factory, contact a Briggs & Stratton Authorized Service Dealer for assistance. For safe and proper operation of the equipment, the engine speed should be adjusted only by a qualified service technician.

## Service Spark Plug

See Figure: 8

Check the gap (A, Figure 8) with a wire gauge (B). If necessary, reset the gap. Install and tighten the spark plug to the recommended torque. For gap setting or torque, see the **Specifications** section.

*Note:* In some areas, local law requires using a resistor spark plug to suppress ignition signals. If this engine was originally equipped with a resistor spark plug, use the same type for replacement.

## Service Exhaust System



## WARNING

**Running engines produce heat. Engine parts, especially muffler, become extremely hot.**

**Severe thermal burns can occur on contact.**

**Combustible debris, such as leaves, grass, brush, etc. can catch fire.**

- Allow muffler, engine cylinder and fins to cool before touching.
- Remove accumulated debris from muffler area and cylinder area.
- It is a violation of California Public Resource Code, Section 4442, to use or operate the engine on any forest-covered, brush-covered, or grass-covered land unless the exhaust system is equipped with a spark arrester, as defined in Section 4442, maintained in effective working order. Other states or federal jurisdictions may have similar laws. Contact the original equipment manufacturer, retailer, or dealer to obtain a spark arrester designed for the exhaust system installed on this engine.

Remove accumulated debris from muffler and cylinder area. Inspect the muffler for cracks, corrosion, or other damage. Remove the deflector or the spark arrester, if equipped, and inspect for damage or carbon blockage. If damage is found, install replacement parts before operating.





## WARNING

Replacement parts must be of the same design and installed in the same position as the original parts. Other parts may not perform as well, may damage the unit, and may result in injury.

## Change Engine Oil

See Figure: 9, 10, 11

Used oil is a hazardous waste product and must be disposed of properly. Do not discard with household waste. Check with your local authorities, service center, or dealer for safe disposal/recycling facilities.

### Remove Oil

1. With engine off but still warm, disconnect the spark plug wire(s) (D, Figure 9) and keep it away from the spark plug(s) (E).
2. Remove the dipstick (A, Figure 10).
3. Remove the oil drain plug (F, Figure 11). Drain the oil into an approved container.
4. After the oil has drained, install and tighten the oil drain plug (F, Figure 11).

### Change Oil Filter, if equipped

Some models are equipped with an oil filter. For replacement intervals, see the **Maintenance Schedule**.

1. Drain the oil from the engine. See **Remove Oil** section.
2. Remove the oil filter (G, Figure 11) and dispose of properly.
3. Before you install the new oil filter, lightly lubricate the oil filter gasket with fresh, clean oil.
4. Install the oil filter by hand until the gasket contacts the oil filter adapter, then tighten the oil filter 1/2 to 3/4 turns.
5. Add oil. See **Add Oil** section.
6. Start and run the engine. As the engine warms up, check for oil leaks.
7. Stop the engine and check the oil level. Correct oil level is at the top of the full indicator (B, Figure 10) on the dipstick.

### Add Oil

- Make sure the engine is level.
  - Clean the oil fill area of any debris.
  - See the **Specifications** section for oil capacity.
1. Remove the dipstick (A, Figure 10) and wipe with a clean cloth.
  2. Slowly pour oil into the engine oil fill (C, Figure 10). **Do not overfill**. After adding oil, wait one minute and then check the oil level.
  3. Install and tighten the dipstick (A, Figure 10).
  4. Remove the dipstick and check the oil level. Correct oil level is at the top of the full indicator (B, Figure 10) on the dipstick.
  5. Reinstall and tighten the dipstick (A, Figure 10).
  6. Connect the spark plug wire(s) (D, Figure 9) to the spark plug(s) (E).

## Service Air Filter

See Figure: 12, 13



## WARNING



**Fuel and its vapors are extremely flammable and explosive.**

**Fire or explosion can cause severe burns or death.**

- Never start and run the engine with the air cleaner assembly (if equipped) or the air filter (if equipped) removed.

**NOTICE** Do not use pressurized air or solvents to clean the filter. Pressurized air can damage the filter and solvents will dissolve the filter.

See the **Maintenance Schedule** for service requirements.

Various models use either a foam or a paper filter. Some models may also have an optional pre-cleaner that can be washed and reused. Compare the illustrations in this manual with the type installed on your engine and service as follows.

### Paper Air Filter

1. Open the fastener(s) (A, Figure 12) and remove the cover (B).
2. Remove the air filter (C, Figure 12).
3. To loosen debris, gently tap the air filter on a hard surface. If the air filter is excessively dirty, replace with a new air filter.
4. To remove the safety filter (D, Figure 12), if equipped, carefully pull it away from the air cleaner body (E). Make sure that dirt or debris does not enter the engine.
5. Install the new safety filter (D, Figure 12) in the air cleaner body (E).
6. Install the air filter (C, Figure 12) over the safety filter (D).
7. Install the cover (B, Figure 12) and close the fastener(s) (A).

### Paper Air Filter

1. Remove the fastener(s) (A, Figure 13).
2. Remove the cover (B, Figure 13).
3. Remove the fastener(s) (C, Figure 13) and retainer (D).
4. Remove the air filter (E, Figure 13).
5. Remove the pre-cleaner (F, Figure 13), if equipped, from the air filter (E).
6. To loosen debris, gently tap the air filter (E, Figure 13) on a hard surface. If the air filter is excessively dirty, replace with a new air filter.
7. Wash the pre-cleaner (F, Figure 13), if equipped, in liquid detergent and water. Allow the pre-cleaner to thoroughly air dry. **Do not** oil the pre-cleaner.
8. Assemble the dry pre-cleaner (F, Figure 13), if equipped, to the air filter (E).
9. Install the air filter (E, Figure 13) and secure with retainer (D) and fastener(s) (C).
10. Install the cover (B, Figure 13) and secure with the fastener(s) (A). Make sure the fastener(s) is tight.

## Service Fuel System

See Figure: 14



## WARNING



**Fuel and its vapors are extremely flammable and explosive.**

**Fire or explosion can cause severe burns or death.**

- Keep fuel away from sparks, open flames, pilot lights, heat, and other ignition sources.
- Check fuel lines, tank, cap, and fittings frequently for cracks or leaks. Replace if necessary.
- Before cleaning or replacing the fuel filter, drain the fuel tank or close the fuel shut-off valve.
- If fuel spills, wait until it evaporates before starting engine.
- Replacement parts must be the same and installed in the same position as the original parts.

### Fuel Filter, if equipped

1. Before replacing the fuel filter (A, Figure 14), if equipped, drain the fuel tank or close the fuel shut-off valve. Otherwise, fuel can leak out and cause a fire or explosion.
2. Use pliers to squeeze tabs (B, Figure 14) on the clamps (C), then slide the clamps away from the fuel filter (A). Twist and pull the fuel lines (D) off of the fuel filter.
3. Check the fuel lines (D, Figure 14) for cracks or leaks. Replace if necessary.
4. Replace the fuel filter (A, Figure 14) with an original equipment replacement filter.
5. Secure the fuel lines (D, Figure 14) with clamps (C) as shown.

## Service Cooling System

See Figure: 15, 16



## WARNING



**Running engines produce heat. Engine parts, especially muffler, become extremely hot.**

**Severe thermal burns can occur on contact.**

**Combustible debris, such as leaves, grass, brush, etc., can catch fire.**

- Allow muffler, engine cylinder and fins to cool before touching.
- Remove accumulated debris from muffler area and cylinder area.

**NOTICE** Do not use water to clean the engine. Water could contaminate the fuel system. Use a brush or dry cloth to clean the engine.

This is an air cooled engine. Dirt or debris can restrict air flow and cause the engine to overheat, resulting in poor performance and reduced engine life.

1. Use a brush or dry cloth to remove debris from the air intake area (A, Figure 15).
2. Keep linkage, springs and controls (B, Figure 15, 16) clean.
3. Keep the area around and behind the muffler (C, Figure 15, 16) free of any combustible debris.
4. Make sure the oil cooler fins (D, Figure 15) are free of dirt and debris.
5. Loosen fastener(s) (E, Figure 16) until you hear a click. Remove panel (F). and clean the area of dirt and debris. Make sure the underside of the panel is also clean.
6. Install the panel (F, Figure 16) and secure with fastener(s) (E). Tighten fastener(s) until you hear a click.

After a period of time, debris can accumulate in the cylinder cooling fins and cause the engine to overheat. This debris cannot be removed without partial disassembly of the engine. Have a Briggs & Stratton Authorized Dealer inspect and clean the air cooling system as recommended in the **Maintenance Schedule**.

## Storage



**WARNING**

Fuel and its vapors are extremely flammable and explosive.

Fire or explosion can cause severe burns or death.

### When Storing Fuel Or Equipment With Fuel In Tank

- Store away from furnaces, stoves, water heaters or other appliances that have pilot lights or other ignition sources because they can ignite fuel vapors.

### Fuel System

See Figure: 17

Store the engine level (normal operating position). Fill fuel tank (A, Figure 17) with fuel. To allow for expansion of fuel, do not overfill above the fuel tank neck (B).

Fuel can become stale when stored over 30 days. Stale fuel causes acid and gum deposits to form in the fuel system or on essential carburetor parts. To keep fuel fresh, use **Briggs & Stratton Advanced Formula Fuel Treatment & Stabilizer**, available wherever Briggs & Stratton genuine service parts are sold.

There is no need to drain gasoline from the engine if a fuel stabilizer is added according to instructions. Run the engine for two (2) minutes to circulate the stabilizer throughout the fuel system before storage.

If gasoline in the engine has not been treated with a fuel stabilizer, it must be drained into an approved container. Run the engine until it stops from lack of fuel. The use of a fuel stabilizer in the storage container is recommended to maintain freshness.

### Engine Oil

While the engine is still warm, change the engine oil. See the **Change Engine Oil** section.

## Troubleshooting

For assistance, contact your local dealer or go to [VanguardEngines.com](http://VanguardEngines.com) or call **1-800-999-9333** (in USA).

## Specifications

Model: 540000	
Displacement	54.68 ci (896 cc)
Bore	3.366 in (85,5 mm)
Stroke	3.071 in (78,0 mm)
Oil Capacity	78 - 80 oz (2,3 - 2,4 L)
Spark Plug Gap	.030 in (.76 mm)
Spark Plug Torque	180 lb-in (20 Nm)
Armature Air Gap	.005 - .008 in (.13 - .20 mm)

### Model: 540000

Intake Valve Clearance	.004 - .006 in (.10 - .15 mm)
Exhaust Valve Clearance	.007 - .009 in (.18 - .23 mm)

### Model: 610000, 61E100

Displacement	60.60 ci (993 cc)
Bore	3.366 in (85,5 mm)
Stroke	3.406 in (86,5 mm)
Oil Capacity	78 - 80 oz (2,3 - 2,4 L)
Spark Plug Gap	.030 in (.76 mm)
Spark Plug Torque	180 lb-in (20 Nm)
Armature Air Gap - Carburetor Models	.005 - .008 in (.13 - .20 mm)
Intake Valve Clearance	.004 - .006 in (.10 - .15 mm)
Exhaust Valve Clearance	.007 - .009 in (.18 - .23 mm)

Engine power will decrease 3.5% for each 1,000 feet (300 meters) above sea level and 1% for each 10° F (5.6° C) above 77° F (25° C). The engine will operate satisfactorily at an angle up to 15°. Refer to the equipment operator's manual for safe allowable operating limits on slopes.

### Service Parts - Model: 540000, 610000, 61E100

Service Part	Part Number
Cyclonic Air Filter (Figure 12)	841497
Cyclonic Safety Filter (Figure 12)	821136
Air Filter, Low Profile (Figure 13)	692519
Pre-cleaner, Low Profile (Figure 13)	692520
Oil - SAE 30	100028
Oil Filter	842921
Advanced Formula Fuel Treatment & Stabilizer	100117, 100120
Fuel Filter	691035
Resistor Spark Plug	491055
Long Life Platinum Spark Plug	5066
Spark Plug Wrench	19374
Spark Tester	19368

We recommend that you see any Briggs & Stratton Authorized Dealer for all maintenance and service of the engine and engine parts.

**Power Ratings:** The gross power rating for individual gasoline engine models is labeled in accordance with SAE (Society of Automotive Engineers) code J1940 Small Engine Power & Torque Rating Procedure, and is rated in accordance with SAE J1995. Torque values are derived at 2600 RPM for those engines with "rpm" called out on the label and 3060 RPM for all others; horsepower values are derived at 3600 RPM. The gross power curves can be viewed at [www.BRIGGSandSTRATTON.COM](http://www.BRIGGSandSTRATTON.COM). Net power values are taken with exhaust and air cleaner installed whereas gross power values are collected without these attachments. Actual gross engine power will be higher than net engine power and is affected by, among other things, ambient operating conditions and engine-to-engine variability. Given the wide array of products on which engines are placed, the gasoline engine may not develop the rated gross power when used in a given piece of power equipment. This difference is due to a variety of factors including, but not limited to, the variety of engine components (air cleaner, exhaust, charging, cooling, carburetor, fuel pump, etc.), application limitations, ambient operating conditions (temperature, humidity, altitude), and engine-to-engine variability. Due to manufacturing and capacity limitations, Briggs & Stratton may substitute an engine of higher rated power for this engine.

## Warranty

### Briggs & Stratton Engine Warranty

Effective January 2017

#### Limited Warranty

Briggs & Stratton warrants that, during the warranty period specified below, it will repair or replace, free of charge, any part that is defective in material or workmanship or both. Transportation charges on product submitted for repair or replacement under this warranty must be borne by purchaser. This warranty is effective for and is subject to the time periods and conditions stated below. For warranty service, find the nearest Authorized Service Dealer in our dealer locator map at [BRIGGSandSTRATTON.COM](http://BRIGGSandSTRATTON.COM). The purchaser must

contact the Authorized Service Dealer, and then make the product available to the Authorized Service Dealer for inspection and testing.

**There is no other express warranty. Implied warranties, including those of merchantability and fitness for a particular purpose, are limited to the warranty period listed below, or to the extent permitted by law.** Liability for incidental or consequential damages are excluded to the extent exclusion is permitted by law. Some states or countries do not allow limitations on how long an implied warranty lasts, and some states or countries do not allow the exclusion or limitation of incidental or consequential damages, so the above limitation and exclusion may not apply to you. This warranty gives you specific legal rights and you may also have other rights which vary from state to state and country to country <sup>4</sup>.

### Standard Warranty Terms <sup>1, 2, 3</sup>

Brand / Product Name	Consumer Use	Commercial Use
Vanguard™; Commercial Series	36 months	36 months
Engines Featuring Dura-Bore™ Cast Iron Sleeve	24 months	12 months
All Other Engines	24 months	3 months

<sup>1</sup>These are our standard warranty terms, but occasionally there may be additional warranty coverage that was not determined at time of publication. For a listing of current warranty terms for your engine, go to BRIGGSandSTRATTON.com or contact your Briggs & Stratton Authorized Service Dealer.

<sup>2</sup>There is no warranty for engines on equipment used for prime power in place of a utility or for standby generators used for commercial purposes. Engines used in competitive racing or on commercial or rental tracks are not warrantied.

<sup>3</sup>Vanguard installed on standby generators: 24 months consumer use, no warranty commercial use. Vanguard installed on utility vehicles: 24 months consumer use, 24 months commercial use. Commercial Series with manufacturing date before July 2017, 24 months consumer use, 24 months commercial use.

<sup>4</sup>In Australia - Our goods come with guarantees that cannot be excluded under the Australian Consumer Law. You are entitled to a replacement or refund for a major failure and for compensation for any other reasonably foreseeable loss or damage. You are also entitled to have the goods repaired or replaced if the goods fail to be of acceptable quality and the failure does not amount to a major failure. For warranty service, find the nearest Authorized Service Dealer in our dealer locator map at BRIGGSandSTRATTON.COM, or by calling 1300 274 447, or by emailing or writing to salesenquiries@briggsandstratton.com.au, Briggs & Stratton Australia Pty Ltd, 1 Moorebank Avenue, Moorebank, NSW, Australia, 2170.

The warranty period begins on the original date of purchase by the first retail or commercial consumer. "Consumer use" means personal residential household use by a retail consumer. "Commercial use" means all other uses, including use for commercial, income producing or rental purposes. Once an engine has experienced commercial use, it shall thereafter be considered as a commercial use engine for purposes of this warranty.

**Save your proof of purchase receipt. If you do not provide proof of the initial purchase date at the time warranty service is requested, the manufacturing date of the product will be used to determine the warranty period. Product registration is not required to obtain warranty service on Briggs & Stratton products.**

#### About Your Warranty

This limited warranty covers engine-related material and/or workmanship issues only, and not replacement or refund of the equipment to which the engine may be mounted. Routine maintenance, tune-ups, adjustments, or normal wear and tear are not covered under this warranty. Similarly, warranty is not applicable if the engine has been altered or modified or if the engine serial number has been defaced or removed. This warranty does not cover engine damage or performance problems caused by:

- The use of parts that are not original Briggs & Stratton parts;
- Operating the engine with insufficient, contaminated, or an incorrect grade of lubricating oil;
- The use of contaminated or stale fuel, gasoline formulated with ethanol greater than 10%, or the use of alternative fuels such as liquefied petroleum or natural gas on engines not originally designed/manufactured by Briggs & Stratton to operate on such fuels;
- Dirt which entered the engine because of improper air cleaner maintenance or re-assembly;
- Striking an object with the cutter blade of a rotary lawn mower, loose or improperly installed blade adapters, impellers, or other crankshaft coupled devices, or excessive v-belt tightness;
- Associated parts or assemblies such as clutches, transmissions, equipment controls, etc., which are not supplied by Briggs & Stratton;
- Overheating due to grass clippings, dirt and debris, or rodent nests which plug or clog the cooling fins or flywheel area, or by operating the engine without sufficient ventilation;

- Excessive vibration due to over-speeding, loose engine mounting, loose or unbalanced cutter blades or impellers, or improper coupling of equipment components to the crankshaft;
- Misuse, lack of routine maintenance, shipping, handling, or warehousing of equipment, or improper engine installation.

**Warranty service is available only through Briggs & Stratton Authorized Service Dealers. Locate your nearest Authorized Service Dealer in our dealer locator map at BRIGGSandSTRATTON.COM or by calling 1-800-233-3723 (in USA).**

80004537 (Rev. C)

## Briggs & Stratton Emissions Warranty

### U.S. EPA, and Briggs & Stratton Corporation Emissions Control Warranty Statement - Your Warranty Rights and Obligations For Briggs & Stratton Engine Models with "J" Trim Designation (Model-Type-Trim Representation xxxxxx xxxx Jx)

The U.S. EPA, and Briggs & Stratton (B&S) are pleased to explain the emissions control system warranty on your Model Year 2017-2019 engine. In the U.S., new small off-road engines and large spark ignited engines less than or equal to 1.0 liter must be designed, built, and equipped to meet stringent anti-smog standards. B&S must warrant the emissions control system on your engine for the periods of time listed below provided there has been no abuse, neglect, or improper maintenance of your engine.

Your exhaust emissions control system may include parts such as the carburetor or fuel injection system, ignition system, and catalytic converter. Also included may be hoses, belts, connectors, sensors, and other emissions-related assemblies.

Where a warrantable condition exists, B&S will repair your engine at no cost to you including diagnosis, parts, and labor.

#### Manufacturer's Warranty Coverage:

Small off-road engines and large spark ignited engines less than or equal to 1.0 liter, are warranted for two years, or for the time period listed in the respective engine or product warranty statement, whichever is greater. If any emissions-related part on your B&S engine is defective, the part will be repaired or replaced by B&S.

#### Owner's Warranty Responsibilities:

- As the engine owner, you are responsible for the performance of the required maintenance listed in your Operator's Manual. B&S recommends that you retain all receipts covering maintenance on your engine, but B&S cannot deny warranty solely for the lack of receipts or your failure to ensure the performance of all scheduled maintenance.
- As the engine owner, you should however be aware that B&S may deny you warranty coverage if your engine or a part has failed due to abuse, neglect, improper maintenance, or unapproved modifications.
- You are responsible for presenting your engine to a B&S distribution center, servicing dealer, or other equivalent entity, as applicable, as soon as a problem exists. The warranty repairs should be completed in a reasonable amount of time, not to exceed 30 days. If you have any questions regarding your warranty rights and responsibilities, you should contact B&S at 1-800-444-7774 (in USA) or BRIGGSandSTRATTON.com.

### Briggs & Stratton Emissions Control Warranty Provisions

The following are specific provisions relative to your Emissions Control Warranty Coverage. It is in addition to the B&S engine warranty for non-regulated engines found in the Operator's Manual.

- Warranted Emissions Parts  
Coverage under this warranty extends only to the parts listed below (the emissions control systems parts) to the extent these parts were present on the B&S engine and/or B&S supplied fuel system.
  - Fuel Metering System
    - Cold start enrichment system (soft choke)
    - Mixer
    - Carburetor or fuel injection system
    - Oxygen sensor
    - Electronic control unit
    - Fuel pump module
  - Air Induction System
    - Air cleaner
    - Intake manifold
  - Ignition System
    - Spark plug(s)

- Magneto ignition system
- d. Catalyst System
- Catalytic converter
  - Exhaust manifold
  - Air injection system or pulse value
- e. Miscellaneous Items Used in Above Systems
- Vacuum, temperature, position, time sensitive valves and switches
  - Connectors and assemblies
2. Length of Coverage
- Coverage is for a period of two years from date of original purchase, or for the time period listed in the respective engine or product warranty statement, whichever is greater. B&S warrants to the original purchaser and each subsequent purchaser that the engine is designed, built, and equipped so as to conform with all applicable regulations adopted under Section 213 of the Clean Air Act; that it is free from defects in material and workmanship that could cause the failure of a warranted part; and that it is identical in all material respects to the engine described in the manufacturer's application for certification. The warranty period begins on the date the engine is originally purchased.

The warranty on emissions-related parts is as follows:

- Any warranted part that is not scheduled for replacement as required maintenance in the Operator's Manual supplied, is warranted for the warranty period stated above. If any such part fails during the period of warranty coverage, the part will be repaired or replaced by B&S at no charge to the owner. Any such part repaired or replaced under the warranty will be warranted for the remaining warranty period.
  - Any warranted part that is scheduled only for regular inspection in the Operator's Manual supplied, is warranted for the warranty period stated above. Any such part repaired or replaced under warranty will be warranted for the remaining warranty period.
  - Any warranted part that is scheduled for replacement as required maintenance in the Operator's Manual supplied, is warranted for the period of time prior to the first scheduled replacement point for that part. If the part fails prior to the first scheduled replacement, the part will be repaired or replaced by B&S at no charge to the owner. Any such part repaired or replaced under warranty will be warranted for the remainder of the period prior to the first scheduled replacement point for the part.
  - Add-on or modified parts that are not exempted by the Air Resources Board may not be used. The use of any non-exempted add-on or modified parts by the owner will be grounds for disallowing a warranty claim. The manufacturer will not be liable to warrant failures of warranted parts caused by the use of a non-exempted add-on or modified part.
3. Consequential Coverage
- Coverage shall extend to the failure of any engine components caused by the failure of any warranted emissions parts.
4. Claims and Coverage Exclusions
- Warranty claims shall be filed according to the provisions of the B&S engine warranty policy. Warranty coverage does not apply to failures of emissions parts that are not original equipment B&S parts or to parts that fail due to abuse, neglect, or improper maintenance as set forth in the B&S engine warranty policy. B&S is not liable for warranty coverage of failures of emissions parts caused by the use of add-on or modified parts.

### **Look For Relevant Emissions Durability Period and Air Index Information On Your Small Off-Road Engine Emissions Label**

Briggs & Stratton engines are certified to meet the United States Environmental Protection Agency (USEPA) Phase 3 emissions standards. The Emissions Compliance Period referred to on the Emissions Compliance label indicates the number of operating hours for which the engine has been shown to meet Federal emissions requirements.

#### **For engines at or less than 80 cc displacement:**

Category C = 50 hours, Category B = 125 hours, Category A = 300 hours

#### **For engines greater than 80 cc displacement and less than 225 cc displacement:**

Category C = 125 hours, Category B = 250 hours, Category A = 500 hours

#### **For engines of 225 cc or more displacement:**

Category C = 250 hours, Category B = 500 hours, Category A = 1000 hours

80012791 (Rev C)



Este manual contiene información de seguridad para advertirle sobre los peligros y riesgos asociados con motores y cómo evitarlos. También contiene instrucciones para uso y cuidado correctos del motor. Debido a que Briggs & Stratton Corporation no necesariamente sabe para qué equipo se utilizará este motor, es importante que usted lea y comprenda estas instrucciones y las instrucciones de su equipo. **Conserve estas instrucciones originales para consulta futura.**

**Nota:** Las figuras e ilustraciones en este manual son provistas solo para consulta y pueden no ser iguales a su modelo específico. Si tiene preguntas, comuníquese con su distribuidor.

Para piezas de repuesto o asistencia técnica, anote a continuación el modelo, tipo y números de código del motor, junto con la fecha de compra. Estos números están ubicados en su motor (vea la sección de **Características y Controles**).

Fecha de compra	
Modelo del motor - Tipo - Reglaje	
Número de Serie del motor	

Busque el código de barras 2D que se encuentra en algunos motores. Cuando se ve con un dispositivo con capacidad 2D, el código hará surgir nuestro sitio web donde puede acceder a información de soporte para este producto. Corresponden tarifas de datos. Algunos países pueden no tener información de soporte en línea disponible.



Símbolo	Significado	Símbolo	Significado
	Peligro de incendio		Peligro de explosión
	Peligro de descarga		Peligro de emisión de vapores tóxicos
	Peligro de superficie caliente		Peligro de ruido: se recomienda el uso prolongado de protección para los oídos.
	Peligro de caída de objetos: utilice protección para los ojos.		Peligro de explosión
	Peligro de congelación		Peligro de retroceso violento
	Peligro de amputación: piezas móviles		Peligro químico
	Peligro de calor		Corrosivo

## Información sobre reciclaje

		El embalaje, el aceite usado y las baterías, en su totalidad, deben reciclarse de acuerdo con las regulaciones gubernamentales aplicables.
--	--	--

## Seguridad del operador

### Símbolo de alerta de seguridad y palabras de señalización

El símbolo de alerta de seguridad se usa para identificar información de seguridad sobre riesgos que pueden provocar lesiones personales. Se usa una palabra de señalización (PELIGRO, ADVERTENCIA o ATENCIÓN) junto con el símbolo de alerta para indicar la probabilidad y la gravedad potencial de las lesiones. Además, se puede usar un símbolo de riesgo para representar el tipo de riesgo.

**PELIGRO** indica un riesgo que, si no se evita, **ocasionará la muerte o lesiones graves.**

**ADVERTENCIA** indica un riesgo que, si no se evita, **podría ocasionar la muerte o lesiones graves.**

**ATENCIÓN** indica un riesgo que, si no se evita, **podría ocasionar lesiones menores o moderadas.**

**AVISO** indica una situación que **podría provocar daños al producto.**

### Símbolos de peligro y sus significados

Símbolo	Significado	Símbolo	Significado
	Información de seguridad sobre los riesgos que pueden provocar lesiones físicas.		Lea y entienda el Manual del Operador antes de operar o reparar la unidad.

## Mensajes de seguridad



### ADVERTENCIA

Ciertos componentes en este producto y sus accesorios correspondientes contienen químicos considerados para el Estado de California como causantes de cáncer, defectos de nacimiento u otros daños reproductivos. Lávese las manos después de manipular estos elementos.



### ADVERTENCIA

El escape del motor de este producto contiene sustancias químicas reconocidas en el estado de California por producir cáncer, defectos de nacimiento u otros daños que pueden ser perjudiciales para la reproducción.



### ADVERTENCIA

Los motores Briggs & Stratton no están diseñados para y no deben utilizarse para impulsar "karts" recreativos o deportivos; vehículos recreativos para niños o deportivos todo terreno; motos; aerodeslizadores; productos de aeronaves o vehículos utilizados en eventos competitivos no sancionados por Briggs & Stratton. Para obtener información sobre productos para carreras competitivas, vaya a [www.briggsracing.com](http://www.briggsracing.com). Para uso con vehículos utilitarios y side-by-side todo terreno, contáctese con el Centro de Aplicación de Motores Briggs & Stratton al 1-866-927-3349. El uso del motor para aplicaciones inadecuadas puede generar lesiones graves o la muerte.



### ADVERTENCIA



**El combustible y sus vapores son extremadamente inflamables y explosivos.**

**El fuego o la explosión pueden causar quemaduras graves o la muerte.**

### Cuando agregue combustible

- Apague el motor y deje que se enfríe por lo menos 2 minutos antes de remover la tapa del combustible.
- Llène el tanque de combustible en exteriores o en un área bien ventilada.
- No llene excesivamente el tanque de combustible. Para permitir la expansión del combustible, no llene el tanque por arriba de la parte inferior del cuello.

- Mantenga el combustible alejado de chispas, llamas abiertas, testigos piloto, fuentes de calor y otras fuentes de encendido.
- Compruebe con frecuencia si existen grietas o fugas en las mangueras de combustible, el tanque, la tapa y en los accesorios. Reemplace las piezas, si es necesario.
- Si se derramó combustible, espere hasta que se haya evaporado antes arrancar el motor.

#### Quando encienda el motor

- Asegúrese de que la bujía, el silenciador, la tapa del combustible y el filtro de aire (si está equipado) estén colocados y fijos en su lugar.
- No haga girar el motor si retiró la bujía.
- Si el motor se ahoga, coloque el estrangulador (si está equipado) en la posición de apertura/funcionamiento (OPEN/RUN), coloque el acelerador (si está equipado) en la posición de velocidad (FAST) y arranque el motor hasta que se encienda.

#### Quando opere el equipo

- No incline el motor ni el equipo de forma que pueda derramarse el combustible.
- No estrangule el carburador para detener el motor.
- Nunca encienda o haga funcionar el motor sin el conjunto del purificador de aire (si tiene) o el filtro de aire (si tiene).

#### Quando cambie el aceite

- Si drena el aceite desde el tubo superior de llenado de aceite, el tanque de combustible debe estar vacío o de lo contrario podría presentarse una fuga de combustible que podría ocasionar un incendio o una explosión.

#### Quando incline la unidad para trabajos de mantenimiento

- Al realizar trabajos de mantenimiento que requieran inclinar la unidad, el tanque de combustible, si está montado en el motor, debe estar vacío o podría haber una fuga de combustible y generar un incendio o una explosión.

#### Quando transporte el equipo

- Transporte con el tanque de combustible VACÍO o con la válvula de cierre de combustible en la posición CLOSED.

#### Quando almacene el combustible o el equipo con combustible en el tanque

- Almacénelo a distancia de hornos, estufas, calentadores de agua u otros aparatos que utilicen testigos piloto u otras fuentes de encendido ya que estos pueden encender vapores combustibles.



**ADVERTENCIA**

**Dar arranque al motor crea chispeo.**

**El chispeo puede encender los gases inflamables cercanos, lo que podría ocasionar una explosión o un incendio.**

- Si hay una fuga de gas natural o gas propano LP en el área, no le de arranque al motor.
- No use líquidos de arranque presurizados ya que los vapores son inflamables.



**ADVERTENCIA**

**PELIGRO DE GAS TÓXICO.** La descarga de escape del motor contiene monóxido de carbono, un gas tóxico que puede matar en minutos. **NO puede verlo, es inodoro e insípido. Incluso si no huele los gases del escape, puede estar expuesto al monóxido de carbono. Si comienza a sentirse mareado o débil cuando utiliza el producto, tome aire fresco inmediatamente y Consulte a un médico. Puede haberse intoxicado con monóxido de carbono.**

- Opere este producto SOLAMENTE al aire libre, lejos de ventanas, puertas y ventilaciones, para reducir el riesgo de que el monóxido de carbono se acumule y pueda circular a espacios habitados.
- Instale alarmas de monóxido de carbono con baterías o enchufe (batería de respaldo) siguiendo las instrucciones del fabricante. Las alarmas de humo no pueden detectar el monóxido de carbono.
- NO opere este producto dentro de hogares, garajes, sótanos, espacios reducidos, cobertizos u otros espacios parcialmente cerrados, incluso si usa ventiladores o deja las puertas y ventanas abiertas. El monóxido de carbono se puede acumular rápidamente en estos espacios y puede permanecer durante horas, incluso después de que se apaga este producto.
- SIEMPRE coloque este producto en la dirección del viento y apunte el escape del motor lejos de espacios habitados.



**ADVERTENCIA**

**La retracción rápida de la cuerda del arranque (retroceso violento) le halará la mano y el brazo hacia el motor antes de que pueda soltarla.**

**Podría causar huesos rotos, fracturas, hematomas o esguinces.**

- Cuando arranque el motor, tire lentamente de la cuerda hasta sentir una resistencia y, a continuación, tire rápidamente de ella para evitar su retroceso.
- Remueva todas las cargas externas del equipo/motor antes de darle arranque al motor.
- Los componentes del equipo de acoplamiento directo, como cuchillas, impulsores, poleas, ruedas dentadas, entre otros, se deben colocar firmemente.



**ADVERTENCIA**

**Las partes rotantes pueden tener contacto o atrapar las manos, los pies, el cabello, la ropa o los accesorios.**

**podría ocasionar una amputación traumática o una laceración grave.**

- Opere el equipo con los protectores en su lugar.
- Mantenga las manos y los pies a distancia de las partes rotantes.
- Recoja el pelo largo y quítese cualquier joya.
- No use ropa floja, tiras que cuelguen ni artículos que puedan ser agarrados.



**ADVERTENCIA**

**El funcionamiento de los motores produce calor. Las piezas de los motores, especialmente el silenciador, se calientan demasiado.**

**Pueden ocurrir graves quemaduras al tocarlas.**

**Los desechos combustibles, tal como hojas, grama, maleza, etc. pueden prenderse fuego.**

- Deje que el silenciador, el cilindro y las aletas del motor se enfríen antes de tocarlos.
- Extraiga los desechos acumulados en el área del silenciador y en el área del cilindro.
- Es una violación del Código de Recursos Públicos de California, Sección 4442, utilizar u operar el motor en cualquier espacio con árboles, maleza o grama a menos que el sistema de escape esté equipado con un extintor de chispas, como lo define la Sección 4442, mantenido en correcto funcionamiento. Otros estados o jurisdicciones federales pueden tener leyes similares. Póngase en contacto con el vendedor, el distribuidor o el fabricante del equipo original para obtener un extintor de chispas diseñado para el sistema de escape instalado en este motor.



**ADVERTENCIA**

**Las chispas no intencionales pueden provocar un incendio o una descarga eléctrica.**

**El arranque accidental puede provocar enredos, amputaciones traumáticas o laceraciones.**

**Peligro de incendio**

**Antes de hacer ajustes o reparaciones:**

- Desconecte el cable de la bujía y manténgalo lejos de la bujía.
- Desconecte la batería en la terminal negativa (únicamente motores con arranque eléctrico).
- Use solamente las herramientas correctas.
- No manipule el resorte del regulador, las conexiones u otras piezas para aumentar la velocidad del motor.
- Las piezas de repuesto deben ser del mismo diseño y deben ser instaladas en la misma posición que las piezas originales. Otras piezas pueden no funcionar igual de bien, pueden dañar la unidad, y pueden causar lesiones.
- No golpee la volante con un martillo ni con un objeto pesado ya que la volante podría astillarse más adelante durante la operación.

**Quando haga las pruebas de chispa:**

- Use un probador de bujías aprobado.
- No haga las pruebas de chispa sin la bujía en su lugar.

# Características y controles

## Controles del motor

Compare la ilustración (Figura: 1, 2, 3, 4) con su motor para familiarizarse con la ubicación de diversas características y controles.

- A. Números de identificación del motor **Modelo, Tipo, Código**
- B. Bujía
- C. Filtro de aire, ciclónico
- D. Filtro de aire, perfil bajo
- E. Varilla indicadora de nivel de aceite
- F. Llenado de aceite
- G. Filtro de aceite
- H. Tapón para el drenaje de aceite
- I. Sensor de presión de aceite
- J. Protector de dedos
- K. Arranque eléctrico
- L. Solenoide de arranque
- M. Regulador/Rectificador
- N. Carburador - Modelos de carburador
- O. Enfriador de aceite (si tiene)
- P. Silenciador (si tiene)
- Q. Bomba de combustible
- R. Interruptor de arranque <sup>1</sup>
- S. Control del acelerador <sup>1</sup>
- T. Control del estrangulador - Modelos de carburador <sup>1</sup>
- U. Filtro de combustible (si tiene)

<sup>1</sup> Algunos motores y equipos tienen control remoto. Consulte el manual del equipo para conocer la ubicación y el funcionamiento de los controles remotos.

## Símbolos de los controles del motor y sus significados

Símbolo	Significado	Símbolo	Significado
	Velocidad del motor: rápida		Velocidad del motor: lenta
	Velocidad del motor: parado		ON - OFF (ABIERTO - CERRADO)
	Arranque del motor - Estrangulador CERRADO		Arranque del motor - Estrangulador ABIERTO
	Tapa del combustible Cierre de combustible - ABIERTO		Cierre de combustible - CERRADO
	Nivel de combustible - Máximo No llene en exceso.		

# Operación

## Recomendaciones sobre el aceite

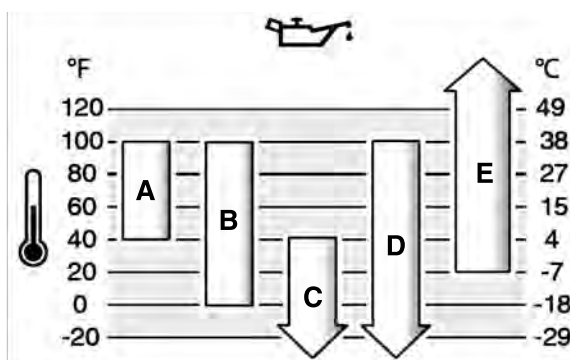
**Capacidad de aceite** Ver la sección **Especificaciones**.

### AVISO

Este motor fue enviado desde Briggs & Stratton sin aceite. Los fabricantes o distribuidores de equipos pueden haber añadido aceite al motor. Antes de arrancar el motor, asegúrese de agregar aceite según las instrucciones de este manual. Si arranca el motor sin aceite, sufrirá daños irreparables que la garantía no cubrirá.

Recomendamos el uso de aceites Briggs & Stratton con garantía certificada para un mejor rendimiento. Otros aceites detergentes de alta calidad son aceptables si están clasificados para servicio SF, SG, SH, SJ o superior. No use aditivos especiales.

Las temperaturas exteriores determinarán la viscosidad adecuada del aceite para el motor. Use la tabla para seleccionar la mejor viscosidad según el margen de temperatura exterior que se espera. Los motores en la mayoría de equipos de energía al aire libre funcionan bien con aceite sintético 5W-30. Para equipos que funcionan a altas temperaturas, el aceite sintético Vanguard™ 15W-50 proporciona la mejor protección.



A	<b>SAE 30</b> - SAE 30 El uso de SAE 30 a temperaturas inferiores a 4 °C (40 °F) provocará dificultades de arranque.
B	<b>10W-30</b> - El uso de 10W30 a temperaturas mayores a 27 °C (80 °F) puede provocar un aumento en el consumo de aceite. Revise el nivel de aceite con mayor frecuencia.
C	<b>5W-30</b>
D	<b>5W-30 sintético</b>
E	<b>Vanguard™ Sintético 15W-50</b>

## Verificación del nivel de aceite

Vea la figura: 5

### Antes de aprovisionar con aceite o de comprobar el nivel de aceite

- Asegúrese de que el motor esté nivelado.
  - Limpie todos los desechos del área de llenado de aceite.
1. Retire la varilla indicadora de nivel (A, Figura 5) y límpiela con un paño limpio.
  2. Instale por completo la varilla indicadora de nivel de aceite (A, Figura 5).
  3. Retire la varilla y verifique el nivel de aceite. El nivel de aceite debe estar en la parte superior del indicador de llenado (B, Figura 5) de la varilla indicadora de nivel de aceite.
  4. Si el nivel es bajo, agregue aceite lentamente en el llenado de aceite del motor (C, Figura 5). **No llene en exceso.** Después de añadir aceite, espere un minuto y luego vuelva a verificar el nivel de aceite.
  5. Instale por completo la varilla indicadora de nivel de aceite (A, Figura 5).

## Sistema de protección contra bajo nivel de aceite (si está equipado)

Algunos motores vienen equipados con un sensor de bajo nivel de aceite. Si el nivel de aceite está bajo, el sensor activará una luz de advertencia o detendrá el motor. Pare el motor y siga estos pasos antes de volver a arrancarlo.

- Asegúrese de que el motor esté nivelado.
- Controle el nivel de aceite. Consulte la sección **Comprobación del nivel de aceite**.
- Si el nivel de aceite está bajo, agregue la cantidad adecuada de aceite. Arranque el motor y asegúrese de que la luz de advertencia (si tiene) no esté activada.

- Si el nivel de aceite no está bajo, no arranque el motor. Para hacer corregir el problema del aceite, póngase en contacto con un distribuidor de servicio autorizado de Briggs & Stratton.

## Recomendaciones de combustible

El combustible debe cumplir con los siguientes requisitos:

- Gasolina limpia y nueva, sin plomo.
- Un mínimo de 87 octanos/87 AKI (91 RON). Para uso en lugares elevados, ver a continuación.
- Gasolina con hasta un 10% de etanol (gasohol) es aceptable.

**AVISO** No use gasolinas no aprobadas, tales como E15 y E85. No mezcle aceite en la gasolina ni modifique el motor para que funcione con combustibles alternativos. El uso de combustibles no aprobados dañará a los componentes del motor, los que no estarán cubiertos bajo la garantía.

Para proteger el sistema de combustible contra la formación de goma, mézclele un estabilizador de combustible al combustible. Vea **Almacenaje**. Todos los combustibles no son iguales. Si ocurren problemas de desempeño o en el arranque, cambie de proveedor de combustible o de marca. El funcionamiento de este motor con gasolina está certificado. El sistema de control de emisiones de este motor es EM (Modificaciones del Motor).

### Gran altitud

En alturas de más de 5.000 pies (1524 metros), una gasolina con un mínimo de 85 octano/85 AKI(89 RON) es aceptable.

Para motores carburados es necesario el ajuste para gran altitud a fin de conservar el rendimiento. El funcionamiento sin este ajuste genera una disminución del rendimiento, un aumento del consumo de combustible y un incremento en las emisiones. Para obtener información sobre el ajuste de alta altitud, póngase en contacto con un distribuidor de servicio autorizado de Briggs & Stratton. No se recomienda operar el motor a alturas inferiores a los 762 metros (2500 pies) con el ajuste para gran altura.

Para los motores de con inyección electrónica de combustible (EFI), no es necesario ningún ajuste para gran altitud.

## Cómo agregar combustible

Vea la figura: 6



**El combustible y sus vapores son extremadamente inflamables y explosivos.**

**Un incendio o una explosión pueden causar graves quemaduras o la muerte.**

### Al agregar combustible

- Apague el motor y deje que se enfríe por lo menos 2 minutos antes de remover la tapa del combustible.
  - Llène el tanque de combustible en exteriores o en un área bien ventilada.
  - No llene excesivamente el tanque de combustible. Para permitir la expansión del combustible no llene por encima de la parte inferior del cuello del tanque de combustible.
  - Mantenga el combustible alejado de chispas, llamas abiertas, testigos piloto, fuentes de calor y otras fuentes de encendido.
  - Compruebe con frecuencia si existen grietas o fugas en las mangueras de combustible, el tanque, la tapa y en los accesorios. Cámbielos si es necesario.
  - Si se derramó combustible, espere hasta que se haya evaporado antes arrancar el motor.
1. Limpie la tierra y la suciedad del área de la tapa del combustible. Retire la tapa del combustible.
  2. Llène el tanque de combustible (A, Figura 6) con combustible. Para permitir la expansión del combustible no llene por encima de la parte inferior del cuello del tanque de combustible (B).
  3. Re-instale la tapa de combustible.

## Arranque y parada del motor

Vea la figura: 7

### Arranque del motor



**El combustible y sus vapores son extremadamente inflamables y explosivos.**

**Un incendio o una explosión pueden causar graves quemaduras o la muerte.**

### Cuando encienda el motor

- Asegúrese de que la bujía, el silenciador, la tapa del combustible y el purificador de aire (si tiene) estén colocados de modo seguro en su lugar.
- No haga girar el motor si retiró la bujía.
- Si el motor se inunda, ajuste el estrangulador (si tiene) en la posición de apertura/funcionamiento (OPEN/RUN), coloque el acelerador (si tiene) en la posición de velocidad rápida (FAST) y haga girar el motor hasta que arranque.



**PELIGRO DE GAS TÓXICO. El escape del motor contiene monóxido de carbono, un gas tóxico que puede matar en minutos. NO puede verlo, es inodoro e insípido. Incluso si no huele los gases del escape, puede estar expuesto al monóxido de carbono. Si comienza a sentirse mareado o débil cuando utiliza este producto, apáguelo y tome aire fresco INMEDIATAMENTE. Consulte a un médico. Puede haberse intoxicado con monóxido de carbono.**

- Opere este producto SOLAMENTE al aire libre, lejos de ventanas, puertas y ventilaciones, para reducir el riesgo de que el monóxido de carbono se acumule y pueda circular a espacios habitados.
- Instale alarmas de monóxido de carbono con baterías o enchufe (batería de respaldo) siguiendo las instrucciones del fabricante. Las alarmas de humo no pueden detectar el monóxido de carbono.
- NO opere este producto dentro de hogares, garajes, sótanos, espacios reducidos, cobertizos u otros espacios parcialmente cerrados, incluso si usa ventiladores o deja las puertas y ventanas abiertas. El monóxido de carbono se puede acumular rápidamente en estos espacios y puede permanecer durante horas, incluso después de que se apaga este producto.
- SIEMPRE coloque este producto en la dirección del viento y apunte el escape del motor lejos de espacios habitados.

**AVISO** Este motor fue enviado desde Briggs & Stratton sin aceite. Antes de arrancar el motor, asegúrese de agregar aceite según las instrucciones de este manual. Si arranca el motor sin aceite, sufrirá daños irreparables que la garantía no cubrirá.

### Identificación del sistema de arranque

Antes de arrancar el motor, deberá identificar el tipo de sistema de arranque que tiene su motor. Su motor tendrá uno de los siguientes tipos.

- **Sistema con inyección electrónica de combustible (EFI):** Este sistema cuenta con inyección electrónica de combustible. No tiene un estrangulador o cebador.
- **Sistema con estrangulador:** Este sistema cuenta con un estrangulador que se usa para el arranque en temperaturas bajas. Algunos modelos tendrán un control del estrangulador separado, mientras que otros tendrán un control con combinación de estrangulador y acelerador. Este tipo no tiene un cebador.

*Nota:* El equipo puede tener controles remotos. Consulte el manual del equipo para conocer la ubicación y el funcionamiento de los controles remotos.

### Sistema con inyección electrónica de combustible (EFI)

1. Verifique el nivel de aceite en el motor. Consulte la sección **Verificación del nivel de aceite**.
2. Asegúrese de que los controles de transmisión del equipo, si tiene, estén desconectados.
3. Mueva la válvula de cierre de combustible (A, Figura 7), si tiene, a la posición de apertura (OPEN).
4. Mueva el control del acelerador (B, Figura 7), si tiene, a la posición de velocidad rápida (FAST). Opere el motor en la posición de velocidad rápida (FAST).
5. Mueva el interruptor de parada (D, Figura 7), si tiene, a la posición de encendido (ON).
6. Gire el interruptor de arranque eléctrico (E, Figura 7) a la posición de encendido o arranque (ON o START).

**AVISO** Para prolongar la vida útil del arrancador, use ciclos cortos de arranque (cinco segundos como máximo). Espere un minuto entre los ciclos de arranque.

*Nota:* Si el motor no arranca después de varios intentos, comuníquese con su distribuidor local o vaya a [VanguardEngines.com](http://VanguardEngines.com) o llame al 1-800-999-9333 (en EE. UU.).

### Sistema con estrangulador

1. Verifique el nivel de aceite en el motor. Consulte la sección **Verificación del nivel de aceite**.



- Asegúrese de que los controles de transmisión del equipo, si tiene, estén desconectados.
- Mueva la válvula de cierre de combustible (A, Figura 7), si tiene, a la posición de apertura (OPEN).
- Mueva el control del acelerador (B, Figura 7), si tiene, a la posición de velocidad rápida (FAST). Opere el motor en la posición de velocidad rápida (FAST).
- Mueva el control del estrangulador (C, Figura 7), o la combinación del estrangulador y acelerador, a la posición de cierre (CLOSED).

**Nota:** Para arrancar el motor con un sistema de combustible seco (primer arranque o después de que se agota el combustible), será necesario más tiempo de giro del motor con el estrangulador activado. Esto le dará tiempo a la bomba de combustible para cebar el sistema de combustible.

- Mueva el interruptor de parada (D, Figura 7), si tiene, a la posición de encendido (ON).
- Gire el interruptor de llave (E, Figura 7) a la posición de encendido o arranque (ON o START).
- Si el motor arranca y se detiene, mueva el control del estrangulador (C, Figura 7) a la posición de apertura (OPEN) para arrancar el motor.

**AVISO** Para prolongar la vida útil del arrancador, use ciclos cortos de arranque (cinco segundos como máximo). Espere un minuto entre los ciclos de arranque.

- A medida que se caliente el motor, mueva el control del estrangulador (C, Figura 7) a la posición de apertura (OPEN).

**Nota:** Si el motor no arranca después de varios intentos, comuníquese con su distribuidor local o vaya a [VanguardEngines.com](http://VanguardEngines.com) o llame al **1-800-999-9333** (en EE. UU.).

## Parada del motor



**ADVERTENCIA**

**El combustible y sus vapores son extremadamente inflamables y explosivos. Un incendio o una explosión pueden causar graves quemaduras o la muerte.**

- No estrangule el carburador para detener el motor.
- Interruptor de parada, si tiene:** Mueva el interruptor de parada (D, Figura 7) a la posición de apagado (OFF).  
**Interruptor de llave, si tiene:** Con el control del acelerador en la posición de velocidad lenta (SLOW), gire el interruptor de llave (E, Figura 7) a la posición de apagado (OFF). Retire la llave y guárdela en un lugar seguro fuera del alcance de los niños.
  - Una vez que se detiene el motor, mueva la válvula de cierre de combustible (A, Figura 7), si tiene, a la posición de cierre (CLOSED).

## Mantenimiento

**AVISO** Si el motor se inclina durante el mantenimiento, el tanque de combustible, si está montado en el motor, se debe vaciar y el lado de la bujía debe estar hacia arriba. Si el tanque de combustible no está vacío y si el motor se inclina en cualquier otra dirección, puede resultar difícil arrancarlo debido a que el aceite o la gasolina contaminan el filtro de aire o la bujía.



**ADVERTENCIA**

Al realizar trabajos de mantenimiento que requieran inclinar la unidad, el tanque de combustible, si está montado en el motor, debe estar vacío o podría haber una fuga de combustible y generar un incendio o una explosión.

Le recomendamos que consulte a cualquier distribuidor autorizado de Briggs & Stratton para el mantenimiento y reparación del motor y para obtener piezas del motor.

**AVISO** Todos los componentes utilizados para construir este motor deben permanecer en su lugar para su correcto funcionamiento.



**ADVERTENCIA**

**Un chispeo involuntario puede producir un incendio o una descarga eléctrica.**

**Una puesta en marcha involuntaria puede causar enredos, amputaciones traumáticas o laceraciones.**

### Peligro de incendio

#### Antes de hacer ajustes o reparaciones:

- Desconecte el cable de la bujía y manténgalo lejos de la bujía.
- Desconecte la batería en la terminal negativa (únicamente motores con arranque eléctrico).
- Use solamente las herramientas correctas.
- No manipule el resorte del regulador, las conexiones u otras piezas para aumentar la velocidad del motor.
- Las piezas de repuesto deben ser del mismo diseño y deben ser instaladas en la misma posición que las piezas originales. Otras piezas pueden no funcionar igual de bien, pueden dañar la unidad, y pueden causar lesiones.
- No golpee el volante con un martillo o un objeto duro, porque el volante más tarde puede romperse durante la operación.

#### Cuando compruebe chispa:

- Use un comprobador de bujías aprobado.
- No haga las pruebas de chispa sin la bujía en su lugar.

## Servicio de control de emisiones

Cualquier establecimiento o individuo especializado en la reparación de motores que no sean de automoción puede encargarse del mantenimiento, la sustitución y la reparación de los dispositivos y sistemas de control de emisiones. Sin embargo, para recibir el servicio de control de emisiones "sin cargo", debe realizarlo un distribuidor autorizado por la fábrica. Ver Declaraciones de Control de Emisiones.

## Plan de mantenimiento

<b>Cada 8 horas o diariamente</b>
<ul style="list-style-type: none"> <li>Compruebe el nivel del aceite del motor</li> <li>Limpie el área alrededor del silenciador y los controles</li> </ul>
<b>Cada 100 horas o anualmente</b>
<ul style="list-style-type: none"> <li>Sustituya las bujías</li> <li>Cambie el aceite del motor</li> <li>Reemplace el filtro de aceite (si tiene)</li> <li>Realice el mantenimiento del filtro de aire <sup>1, 2</sup></li> <li>Limpie el pre-filtro (si tiene) <sup>1</sup></li> <li>Realice el mantenimiento del sistema de escape</li> </ul>
<b>Cada 250 horas</b>
<ul style="list-style-type: none"> <li>Verifique el espacio libre de la válvula. Ajustelo si es necesario.</li> </ul>
<b>Cada 400 horas o anualmente</b>
<ul style="list-style-type: none"> <li>Sustituya el filtro de aire <sup>2</sup></li> <li>Reemplace el filtro de combustible</li> <li>Realice el mantenimiento del sistema de enfriamiento <sup>1</sup></li> <li>Limpie las aletas del enfriador de aceite <sup>1</sup></li> </ul>
<b>Cada 600 horas o anualmente</b>
<ul style="list-style-type: none"> <li>Cambie el filtro de seguridad (si tiene)</li> </ul>

<sup>1</sup> Limpie con mayor frecuencia en condiciones de mucho polvo o cuando el aire contenga muchas partículas.

<sup>2</sup> Cada tres reemplazos del filtro de aire, reemplace el filtro de seguridad interior (si tiene).

## Sistema con inyección electrónica de combustible (EFI)

El sistema con EFI controla la temperatura del motor, la velocidad del motor y el voltaje de la batería para arrancar y calentar el motor. El sistema no tiene ajustes. Si hay problemas

de arranque o funcionamiento, póngase en contacto con un distribuidor de servicio autorizado de Briggs & Stratton.

**AVISO** Asegúrese de seguir los pasos que figuran a continuación; de lo contrario, el sistema con EFI podría dañarse.

- Nunca arranque el motor si los cables de la batería están flojos.
- Gire la llave a la posición de apagado (OFF) antes de desconectar, retirar o instalar la batería.
- Nunca use un cargador de baterías para arrancar el motor.
- Nunca desconecte los cables de la batería mientras el motor esté en funcionamiento.
- Al conectar los cables de la batería, conecte el cable positivo (+) primero, y luego conecte el cable negativo (-) a la batería.
- Al cargar la batería, gire el interruptor de encendido a la posición de apagado (OFF) y desconecte el cable negativo (-) de la batería.
- No rocíe con agua el módulo de control electrónico.

## Velocidad del motor y carburador

Nunca realice ajustes a la velocidad del motor o carburador. El carburador ha sido calibrado en la fábrica para funcionar de manera óptima en la mayoría de las condiciones de uso. No interfiera con el resorte del regulador, las varillas u otras partes a fin de modificar la velocidad del motor. Si son necesarios ajustes póngase en contacto con un Distribuidor de Servicio Autorizado de Briggs & Stratton para que le presten el servicio.

**AVISO** El fabricante del equipo especifica la velocidad máxima del motor como está instalado en el equipo. **No exceda esta** velocidad. Si no está seguro de cuál es la velocidad máxima del equipo, o cuál era la velocidad del motor ajustada en la fábrica, póngase en contacto con un Distribuidor de Servicio Autorizado de Briggs & Stratton para obtener ayuda. Para un funcionamiento seguro y adecuado del equipo, la velocidad del motor debe ser ajustada solamente por un técnico de servicio calificado.

## Revisión de la bujía

Vea la figura: 8

Revise el entre-hierro (A, Figura 8) con un calibrador de alambre (B). Si es necesario, vuelva a establecer la distancia. Instale y ajuste la bujía al par recomendado. Para el ajuste del entre-hierro o el par de apriete, consulte la sección **Especificaciones**.

**Nota:** En algunas áreas, las leyes locales requieren el uso de una bujía con resistencia para suprimir las señales de encendido. Si este motor vino originalmente equipado con una bujía con resistencia, use el mismo tipo de bujía cuando la reemplace.

## Realice el mantenimiento del sistema de escape



**ADVERTENCIA**

El funcionamiento de los motores produce calor. Las partes de los motores, especialmente el silenciador, se calientan demasiado.

Pueden ocurrir graves quemaduras a causa de su contacto.

Desechos combustibles, tal como hojas, grama, maleza, etc. pueden alcanzar a encenderse.

- Deje que el silenciador, el cilindro y las aletas del motor se enfríen antes de tocarlos.
- Extraiga los desechos acumulados en el área del silenciador y en el área del cilindro.
- Es una violación del Código de Recursos Públicos de California, Sección 4442, utilizar u operar el motor en cualquier espacio con árboles, maleza o grama a menos que el sistema de escape esté equipado con un extintor de chispas, como lo define la Sección 4442, mantenido en correcto funcionamiento. Otros estados o jurisdicciones federales pueden tener leyes similares. Póngase en contacto con el vendedor, el distribuidor o el fabricante del equipo original para obtener un extintor de chispas diseñado para el sistema de escape instalado en este motor.

Extraiga los desechos acumulados en el área del silenciador y en el área del cilindro. Inspeccione el silenciador en busca de grietas, corrosión u otros daños. Quite el deflector o el extintor de chispas (B), si tiene, e inspecciónelo para ver si hay daños o bloqueo de carbono. Si se detecta algún daño, instale las piezas de repuesto antes de poner el motor en funcionamiento.



**ADVERTENCIA**

Las piezas de repuesto deben ser del mismo diseño y deben ser instaladas en la misma posición que las piezas originales. Otras piezas pueden no funcionar igual de bien, pueden dañar la unidad, y pueden causar lesiones.

## Cambie el aceite del motor

Vea la figura: 9, 10, 11

El aceite usado es un peligroso producto de desecho y debe eliminarse en forma adecuada. No lo deseche con los residuos domésticos. Consulte con sus autoridades locales, su centro de servicio o su distribuidor para conocer las instalaciones para su disposición/reciclaje seguro.

### Remoción del aceite

1. Con el motor apagado pero aún caliente, desconecte el(los) cable(s) de bujía (D, Figura 9) y aléjelo(s) de la(s) bujía(s) (E).
2. Retire la varilla indicadora de nivel de aceite (A, Figura 10).
3. Quite el tapón de drenaje de aceite (F, Figura 11). Drene el aceite en un recipiente aprobado.
4. Después de haber drenado el aceite, instale y apriete el tapón de drenaje de aceite (F, Figura 11).

### Cambio del filtro de aceite, si tiene

Algunos modelos vienen equipados con un filtro de aceite. Para conocer los intervalos de reemplazo, consulte el **Plan de mantenimiento**.

1. Escurra el aceite del motor. Vea la sección **Remoción del aceite**.
2. Retire el filtro de aceite (H, Figura 11) y deséchelo de forma adecuada.
3. Antes de instalar el nuevo filtro de aceite, lubrique ligeramente el empaque del filtro de aceite con aceite fresco y limpio.
4. Instale el filtro de aceite con la mano hasta que el empaque haga contacto con el adaptador del filtro de aceite, luego apriete el filtro de aceite de 1/2 a 3/4 de vuelta.
5. Agregue aceite. Vea la sección **Aprovisionamiento de aceite**.
6. Arranque y haga funcionar el motor. A medida que el motor se caliente, verifique que no haya fugas de aceite.
7. Detenga el motor y verifique el nivel de aceite. El nivel de aceite debe estar en la parte superior del indicador de lleno (B, Figura 10) de la varilla indicadora de nivel de aceite.

### Aprovisionamiento de aceite

- Asegúrese de que el motor esté nivelado.
- Limpie todos los desechos del área de llenado de aceite.
- Consulte la **sección Especificaciones** para obtener la capacidad de aceite.

1. Retire la varilla indicadora de nivel (A, Figura 10) y límpiela con un paño limpio.
2. Agregue aceite lentamente en el llenado de aceite del motor (C, Figura 10). **No llene en exceso.** Después de añadir aceite, espere un minuto y compruebe el nivel de aceite.
3. Instale y ajuste la varilla indicadora de nivel (A, Figura 10).
4. Retire la varilla y verifique el nivel de aceite. El nivel de aceite debe estar en la parte superior del indicador de lleno (B, Figura 10) de la varilla indicadora de nivel de aceite.
5. Vuelva a instalar y ajuste la varilla indicadora de nivel de aceite (A, Figura 10).
6. Conecte el(los) cable(s) de la(s) bujía(s) (D, Figura 9) a la(s) bujía(s) (E).

## Mantenimiento del filtro de aire

Vea la figura: 12, 13



**ADVERTENCIA**



El combustible y sus vapores son extremadamente inflamables y explosivos.

Un incendio o una explosión pueden causar graves quemaduras o la muerte.

- Nunca encienda o haga funcionar el motor sin el conjunto del purificador de aire (si tiene) o el filtro de aire (si tiene).

**AVISO** No use aire comprimido ni solventes para limpiar el filtro. El aire comprimido puede dañar el filtro y los solventes lo disuelven.

Consulte el **Plan de mantenimiento** para conocer los requerimientos de mantenimiento.

Varios modelos usan filtros de espuma o de papel. Algunos modelos además pueden tener un pre-filtro adicional que puede lavarse y volverse a usar. Compare las ilustraciones de este manual con el tipo instalado en su motor y realice el mantenimiento como se indica a continuación.

### Filtro de aire de papel

1. Quite el(los) sujetador(es) (A, Figura 12) y retire la cubierta (B).
2. Retire el filtro de aire (C, Figura 12).
3. Golpetee el filtro de aire suavemente contra una superficie dura para desprender los residuos. Si el filtro de aire está excesivamente sucio, cámbielo por otro nuevo.
4. Para retirar el filtro de seguridad (D, Figura 12), si tiene, tire con cuidado para separarlo del cuerpo del filtro (E). Asegúrese de que no entren residuos ni suciedad al motor.
5. Instale el nuevo filtro de seguridad (D, Figura 12) en el cuerpo del filtro (E).
6. Instale el filtro de aire (C, Figura 12) sobre el filtro de seguridad (D).
7. Instale la cubierta (B, Figura 12) y asegure con el(los) sujetador(es) (A).

### Filtro de aire de papel

1. Retire el(los) sujetador(es) (A, Figura 13)
2. Retire la cubierta (B, Figura 13).
3. Retire el(los) sujetador(es) (C, Figura 13), y el retenedor (D).
4. Retire el filtro de aire (E, Figura 13).
5. Retire el pre-filtro (F, Figura 13), si tiene, del filtro de aire (E).
6. Golpetee el filtro de aire suavemente contra una superficie dura (E, Figura 13) para desprender los residuos. Si el filtro de aire está excesivamente sucio, cámbielo por otro nuevo.
7. Lave el pre-filtro (F, Figura 13), si tiene, con detergente líquido y agua. Luego deje que el pre-filtro se seque al aire completamente. **No engrase el pre-filtro.**
8. Monte el pre-filtro seco (F, Figura 13), si tiene, en el filtro de aire (E).
9. Instale el filtro de aire (E, Figura 13) y asegure con el retenedor (D) y el(los) sujetador(es) (C).
10. Instale la cubierta (B, Figura 13) y asegure con el(los) sujetador(es) (A). Asegúrese de que todos estén bien ajustados.

## Mantenimiento del sistema de combustible

Consulte la figura: 14



**ADVERTENCIA**

**El combustible y sus vapores son extremadamente inflamables y explosivos.**

**El fuego o la explosión pueden causar quemaduras graves o la muerte.**

- Mantenga el combustible alejado de chispas, llamas abiertas, testigos piloto, fuentes de calor y otras fuentes de encendido.
- Compruebe con frecuencia si existen grietas o fugas en las mangueras de combustible, el tanque, la tapa y en los accesorios. Reemplace las piezas, si es necesario.
- Antes de limpiar o reemplazar el filtro de combustible, drene el tanque o cierre la válvula de cierre de combustible.
- Si se derramó combustible, espere hasta que se haya evaporado antes arrancar el motor.
- Las piezas de repuesto deben ser iguales y se deben instalar en la misma posición que las piezas originales.

### Filtro de combustible, si tiene

1. Antes de reemplazar el filtro de combustible (A, Figura 14), si tiene, drene el tanque de combustible o cierre la válvula de cierre de combustible. De lo contrario, puede presentarse una fuga de combustible y causar un incendio o una explosión.
2. Use pinzas para agarrar las pestañas (B, Figura 14) sobre las abrazaderas (C), y luego deslice las abrazaderas para retirarlas del filtro de combustible (A). Retire los conductos de combustible (D) del filtro de combustible.
3. Inspeccione los conductos de combustible (D, Figura 14) en busca de grietas o fugas. Reemplace las piezas, si es necesario.

4. Reemplace el filtro de combustible (A, Figura 14) con un filtro de repuesto genuino.
5. Asegure los conductos de combustible (D, Figura 14) con abrazaderas (C) como se muestra.

## Mantenimiento del sistema de enfriamiento

Vea la figura: 15, 16



**ADVERTENCIA**

**El funcionamiento de los motores produce calor. Las partes de los motores, especialmente el silenciador, se calientan demasiado.**

**Pueden ocurrir graves quemaduras al tocarlas.**

**Los desechos combustibles, tal como hojas, grama, maleza, etc. se pueden encender.**

- Deje que el silenciador, el cilindro y las aletas del motor se enfríen antes de tocarlos.
- Extraiga los desechos acumulados en el área del silenciador y en el área del cilindro.

**AVISO** No use agua para limpiar el motor. El agua puede contaminar el sistema de combustible. Use un cepillo o un paño húmedo para limpiar el motor.

El motor es refrigerado por aire. La suciedad o los desechos pueden limitar el flujo de aire y provocar que el motor se sobrecaliente, lo cual disminuye su rendimiento y su vida útil.

1. Utilice un cepillo o paño seco para remover los desechos del área de la admisión de aire (A, Figura 15).
2. Mantenga las conexiones, los resortes y los controles (B, Figura 15, 16) limpios.
3. Mantenga la parte posterior del silenciador y la zona que lo rodea (C, Figura 15, 16) libre de desechos combustibles.
4. Asegúrese de que las aletas del enfriador de aceite (D, Figura 15), no presenten suciedad ni residuos.
5. Afloje el(los) sujetador(es) (E, Figura 16) hasta que escuche un clic. Retire el panel (F) y quite la suciedad y los residuos. Verifique que el fondo del panel también esté limpio.
6. Instale el panel (F, Figura 16) y asegúrelo con el (los) sujetador(es) (E). Ajuste el(los) sujetador(es) hasta que escuche un clic.

Después de un período de tiempo, se pueden acumular residuos en las aletas de enfriamiento del cilindro y causar el sobrecalentamiento del motor. Los residuos no se pueden eliminar mientras no se desmonte parcialmente el motor. Solicite a un distribuidor autorizado de Briggs & Stratton que inspeccione y limpie el sistema de enfriamiento de aire según las recomendaciones del **Plan de mantenimiento**.

## Almacenamiento



**ADVERTENCIA**

**El combustible y sus vapores son extremadamente inflamables y explosivos.**

**El fuego o la explosión pueden causar quemaduras graves o la muerte.**

**Cuando almacene el combustible o el equipo con combustible en el tanque**

- Almacene lejos de hornos, estufas, calentadores de agua u otros aparatos que utilicen testigos piloto u otras fuentes de encendido ya que estos pueden encender los vapores combustibles.

### Sistema de combustible

Consulte la figura: 17

Almacene el nivel del motor (posición de operación normal). Llene el tanque de combustible (Figura A 17) con combustible. Para permitir que el combustible se expanda, no llene el tanque por encima de la parte inferior del cuello del tanque de combustible (B).

El combustible puede echarse a perder si se almacena durante más de 30 días. El combustible en mal estado provoca la formación de depósitos de ácido y goma en el sistema de combustible o en piezas esenciales del carburador. Para mantener el combustible fresco, utilice el **estabilizador y tratamiento de combustible con fórmula avanzada de Briggs & Stratton**, disponible en los lugares de venta de piezas de servicio originales de Briggs & Stratton.

No es necesario vaciar la gasolina del motor si se añade estabilizador de combustible conforme a las instrucciones. Haga funcionar el motor durante dos (2) minutos para que el estabilizador circule por todo el sistema de combustible antes del almacenamiento.

Si no se ha agregado un estabilizador de combustible a la gasolina en el motor, deberá vaciarla completamente en un recipiente aprobado. Haga funcionar el motor hasta que se

detenga por falta de combustible. Se recomienda usar un estabilizador de combustible en el recipiente de almacenamiento para mantener el combustible en perfecto estado.

## Aceite del Motor

Cambie el aceite del motor mientras que el motor se encuentre todavía caliente. Consulte la sección **Cambio de aceite del motor**.

# Resolución de problemas

Para obtener ayuda, comuníquese con su distribuidor local o vaya a **VanguardEngines.com** o llame al **1-800-999-9333** (en EE. UU.).

# Especificaciones

Modelo: 540000	
Desplazamiento	54.68 ci (896 cc)
Diámetro interno del cilindro	3.366 in (85,5 mm)
Carrera	3.071 in (78,0 mm)
Capacidad de aceite	78 - 80 oz (2,3 - 2,4 L)
Entrehierro de la bujía	.030 in (.76 mm)
Torque de la bujía	180 lb-in (20 Nm)
Entrehierro inducido	.005 - .008 in (.13 - .20 mm)
Tolerancia de la válvula de admisión	.004 - .006 in (.10 - .15 mm)
Tolerancia de la válvula de escape	.007 - .009 in (.18 - .23 mm)

Modelo: 610000, 61E100	
Desplazamiento	60.60 ci (993 cc)
Diámetro interno del cilindro	3.366 in (85,5 mm)
Carrera	3.406 in (86,5 mm)
Capacidad de aceite	78 - 80 oz (2,3 - 2,4 L)
Entrehierro de la bujía	.030 in (.76 mm)
Torque de la bujía	180 lb-in (20 Nm)
Entrehierro inducido - Modelos de carburador	.005 - .008 in (.13 - .20 mm)
Tolerancia de la válvula de admisión	.004 - .006 in (.10 - .15 mm)
Tolerancia de la válvula de escape	.007 - .009 in (.18 - .23 mm)

La potencia del motor se reducirá un 3,5 % por cada 300 metros (1000 pies) de altitud sobre el nivel del mar, y un 1 % por cada 5,6 °C (10 °F) por encima de 25 °C (77 °F). El funcionamiento del motor será satisfactorio hasta un ángulo de inclinación de 15°. Refiérase al manual del operador del equipo para obtener información acerca de los límites de operación seguros permitidos en pendientes.

Piezas de servicio - Modelo: 540000, 610000, 61E100	
Parte de servicio	Número de parte
Filtro de aire ciclónico (Figura 12)	841497
Filtro de seguridad ciclónico (Figura 12)	821136
Filtro de aire, perfil bajo (Figura 13)	692519
Pre-filtro, perfil bajo (Figura 13)	692520
Aceite - SAE 30	100028
Filtro de aceite	842921
Tratamiento y estabilización de combustible de fórmula avanzada	100117, 100120
Filtro de combustible	691035
Bujía con resistencia	491055
Bujía de platino de larga duración	5066
Llave de bujía	19374
Probador de chispa	19368

Le recomendamos que consulte a cualquier distribuidor autorizado de Briggs & Stratton para el mantenimiento y la reparación del motor y para obtener piezas del motor.

**Potencia nominal:** La calificación de potencia bruta para los modelos de motor de gasolina individual está designada conforme al código SAE (Sociedad de Ingenieros Automotrices) J1940, Procedimiento de calificación de potencia y torsión para motores pequeños, y SAE J1995. Los valores de torsión se derivan a 2600 r. p. m. en el caso de los motores con las "r. p. m." indicadas en la etiqueta y a 3060 r. p. m. en todos los otros casos; los valores de potencia en caballos de fuerza se derivan a 3600 r. p. m. Las curvas de potencia bruta se pueden ver en [www.BRIGGSandSTRATTON.COM](http://www.BRIGGSandSTRATTON.COM). Los valores de potencia neta se obtienen con un filtro de aire y escape instalado, mientras que los valores de potencia bruta se recopilan sin estos accesorios. La potencia bruta real del motor es inferior y depende, entre otros factores, de las condiciones ambientales de uso y de las variaciones entre distintos motores del mismo modelo. Dada la amplia gama de productos donde se colocan los motores, el motor de gasolina puede no desarrollar la potencia bruta nominal cuando se usa en una pieza del equipo de potencia determinada. Esta diferencia se debe, entre otros, a los siguientes factores: accesorios (filtro de aire, escape, carga, refrigeración, carburador, bomba de combustible, etc.), limitaciones de la aplicación, condiciones ambientales de uso (temperatura, humedad, altitud) y variaciones entre distintos motores de un mismo modelo. Debido a limitaciones de fabricación y capacidad, Briggs & Stratton puede sustituir un motor de una potencia nominal mayor por un motor de esta serie.

# Garantía

## Garantía para motores Briggs & Stratton

Vigente a partir de enero de 2017

### Garantía limitada

Briggs & Stratton garantiza que, durante el período de garantía especificado a continuación, reparará o reemplazará, sin cargo, cualquier pieza defectuosa en cuanto a material, mano de obra o ambos. Los gastos de transporte del producto sometido a reparación o cambio conforme a garantía deben ser abonados por el comprador. Esta garantía se mantiene vigente durante los períodos de tiempo indicados a continuación y está sujeta a dichos períodos y a las condiciones presentadas a continuación. Para servicio de garantía, localice al distribuidor de servicio autorizado más cercano en nuestro mapa de localización de distribuidores en [BRIGGSandSTRATTON.COM](http://BRIGGSandSTRATTON.COM). El comprador debe ponerse en contacto con el distribuidor de servicio autorizado y entregarle el producto para la inspección y prueba.

**No existe ninguna otra garantía explícita. Las garantías implícitas, incluidas las de comerciabilidad y aptitud para una finalidad específica, están limitadas al período de garantía mencionado a continuación, o en la medida que lo permita la ley.** La responsabilidad de daños fortuitos o consecuentes queda excluida en la medida que dicha exclusión esté permitida por ley. Algunos estados o países no contemplan limitaciones en cuanto a la duración de una garantía implícita, y otros estados o países no permiten la exclusión o limitación de daños consecuentes o incidentales, en cuyo caso la limitación y la exclusión anteriores pueden no ser aplicables para usted. Esta garantía le da derechos legales específicos, pudiendo tener a su vez otros derechos que varían de un estado a otro o de un país a otro <sup>4</sup>.

### Condiciones de garantía estándar <sup>1, 2, 3</sup>

Marca / Nombre del producto	Uso privado	Uso Comercial
Vanguard™; Serie comercial	36 meses	36 meses
Motores con Manga de Fundición Dura-Bore™	24 meses	12 meses
Todos los demás motores	24 meses	3 meses

<sup>1</sup> Estos son nuestros términos estándares de garantía, pero ocasionalmente puede haber una cobertura de garantía adicional no determinada en el momento de la publicación. Para obtener una lista de los términos actuales de garantía para su motor, vaya a [BRIGGSandSTRATTON.com](http://BRIGGSandSTRATTON.com) o contáctese con el distribuidor de servicio autorizado de Briggs & Stratton.

<sup>2</sup> No existe garantía para motores en equipos utilizados como fuente primaria de energía en lugar de un servicio público o para generadores de reserva utilizados para fines comerciales. Los motores usados en carreras competitivas o en camiones comerciales o de alquiler no están cubiertos por la garantía.

<sup>3</sup> Vanguard instalado en generadores de reserva: Uso de 24 meses para consumidor, sin garantía para uso comercial. Vanguard instalado en vehículos utilitarios: Uso de 24 meses para consumidor, uso comercial de 24 meses. Serie comercial con fecha de fabricación previa a julio de 2017, uso de 24 meses para consumidor, uso comercial de 24 meses.

<sup>4</sup> En Australia - Nuestros productos vienen con garantías que no se pueden excluir bajo la Ley australiana de protección al consumidor. Usted tiene derecho a una sustitución o a un reembolso por una avería importante y a compensación por cualquier otra pérdida o daño razonablemente previsible. También tiene derecho a una reparación o sustitución de productos si estos no son de una calidad aceptable y la avería no asciende a una avería más importante. Para obtener el servicio de garantía, busque al distribuidor de servicio autorizado más cercano en el mapa localizador de distribuidores en [BRIGGSandSTRATTON.COM](http://BRIGGSandSTRATTON.COM) o llamando al 1300 274 447, o mediante un correo electrónico o carta a [salesenquiries@briggsandstratton.com.au](mailto:salesenquiries@briggsandstratton.com.au), Briggs & Stratton Australia Pty Ltd., 1 Moorebank Avenue, Moorebank, NSW, Australia, 2170.



El período de garantía comienza en la fecha original de compra por parte del primer consumidor minorista o comercial. "Uso privado" significa uso doméstico personal por parte de un consumidor final. "Uso comercial" significa todos los demás usos, incluidos los usos con fines comerciales, de generación de ingresos o alquiler. Una vez que el motor haya experimentado uso comercial, será considerado en adelante como motor de uso comercial a los fines de esta garantía.

**Guarde su recibo de compra. Si no aporta constancia de la fecha de compra inicial al solicitar el servicio de garantía, se tomará la fecha de fabricación del producto para determinar el período de garantía. No se requiere el registro de producto para obtener servicio de garantía en los productos de Briggs & Stratton.**

#### Acerca de su Garantía

Esta garantía limitada cubre únicamente problemas de materiales y/o mano de obra asociados al motor, y no la sustitución o el reembolso del equipo en el que el motor puede estar montado. El mantenimiento de rutina, la puesta a punto, los ajustes o el desgaste normal no están cubiertos bajo esta garantía. Asimismo, la garantía queda anulada si el motor ha sido alterado o modificado o si el número de serie del motor ha sido desfigurado o eliminado. Esta garantía no cubre daños al motor o problemas de desempeño causados por:

1. El uso de piezas que no son piezas originales Briggs & Stratton;
2. El funcionamiento del motor con aceite lubricante insuficiente, contaminado o de grado incorrecto;
3. El uso de combustible o gasolina contaminados o vencidos formulados con más del 10 % de etanol, o el uso de combustibles alternativos, tales como petróleo licuado o gas natural en motores no originalmente diseñados/fabricados por Briggs & Stratton para funcionar con dichos combustibles;
4. Suciedad que ingresa al motor debido a mantenimiento incorrecto del filtro de aire o reensamblaje;
5. Golpear un objeto con la cuchilla de corte de un cortacésped rotativo, adaptadores de cuchilla, hélices u otros dispositivos acoplados de cigüeñal o tirantez excesiva de la correa en V;
6. Piezas o ensamblajes asociados, tales como embragues, transmisiones, controles de equipos, etc., no suministrados por Briggs & Stratton;
7. Sobre calentamiento debido a pasto cortado, suciedad y detritos o nidos de roedores que obstruyan o tapen las aletas de refrigeración o el área del volante, o hacer funcionar el motor sin ventilación suficiente;
8. Vibración excesiva debido a velocidad excesiva, montaje flojo del motor, cuchillas de corte o hélices flojos o desequilibrados, o acoplado incorrecto de componentes del equipo al cigüeñal;
9. Uso incorrecto, falta de mantenimiento de rutina, transporte, manipulación o almacenamiento de los equipos, o instalación incorrecta del motor.

El servicio de garantía solo está disponible a través de los distribuidores de servicio autorizados de Briggs & Stratton. Ubique a su Distribuidor de Servicio Autorizado en nuestro mapa localizador de distribuidores en [BRIGGSandSTRATTON.COM](http://BRIGGSandSTRATTON.COM) o llame al 1-800-233-3723 (en EE.UU.).

80004537 (Rev. C)

## Garantía sobre emisiones de Briggs & Stratton

### Declaración de garantía sobre el control de emisiones de la EPA de EE. UU. y Briggs & Stratton Corporation Sus derechos y obligaciones bajo la garantía

Para los modelos de motores Briggs & Stratton con designación de versión "J" (Modelo-Tipo Representación de versión xxxxxx xxxx Jx)

La EPA de EE. UU. y Briggs Stratton (B&S) se complacen en explicar la garantía del sistema de control de emisiones de su modelo de motor de los años 2017 a 2019. En EE. UU., los nuevos motores pequeños todo terreno y los grandes motores de encendido por chispa de 1.0 litro o menos deben estar designados, construidos y equipados conforme a estrictas normas contra la contaminación. B&S está obligado a garantizar el sistema de control de emisiones de su motor durante los períodos que se indican a continuación, siempre que no haya habido abuso, negligencia o mantenimiento inadecuado de su motor.

Su sistema de control de emisiones de escape puede incluir piezas tales como el carburador o el sistema de inyección de combustible, el sistema de encendido y el convertidor catalítico. También pueden estar incluidas las mangueras, correas, conectores, sensores y otros conjuntos relacionados con las emisiones.

Donde exista una condición cubierta por la garantía, B&S reparará su motor/equipo sin costo alguno, incluido el diagnóstico, las piezas y la mano de obra.

#### Cobertura de la garantía del fabricante:

Los motores pequeños todo terreno y los grandes motores de encendido por chispa de 1.0 litro o menos, y todos los componentes del equipo relacionados con las emisiones,

están cubiertos por la garantía de dos años, o por el período indicado en la declaración de garantía del motor o del producto correspondiente, donde prevalecerá el plazo que sea mayor. Si cualquier pieza relacionada con las emisiones en su motor/equipo B&S resulta defectuosa, la pieza será reparada o sustituida por B&S.

#### Responsabilidades del propietario bajo la garantía:

- Como propietario del motor, usted es responsable de la realización del mantenimiento necesario indicado en el Manual del operador. B&S recomienda que guarde todos los recibos que cubren el mantenimiento de su motor, pero B&S no puede negar la garantía únicamente debido a la falta de recibos o a su imposibilidad de garantizar la realización de todo el mantenimiento programado.
- Como propietario del motor, debe ser consciente de que B&S puede negarle la cobertura de garantía si su motor o una pieza del mismo falló debido a abuso, negligencia, mantenimiento inadecuado o modificaciones no autorizadas.
- Usted es responsable por presentar su motor en un centro de distribución, concesionario de servicio u otra entidad equivalente de B&S, según sea el caso, tan pronto como se presente el problema. Las reparaciones bajo la garantía deben completarse en un período de tiempo razonable y no superior a 30 días. Si tiene alguna pregunta con respecto a sus derechos y responsabilidades bajo la garantía, debe ponerse en contacto con B&S llamando al 1-800-444-7774 (en EE. UU.) o visitando el sitio [BRIGGSandSTRATTON.COM](http://BRIGGSandSTRATTON.COM).

### Disposiciones para la Garantía sobre control de emisiones de Briggs & Stratton

Las siguientes son disposiciones específicas relacionadas con la Cobertura de la garantía sobre control de emisiones. Esto es adicional a la garantía de los motores B&S para motores no regulados, la cual figura en el Manual del operador.

1. Piezas de emisiones garantizadas  
La cobertura de esta garantía se hace extensiva solo a las partes que figuran a continuación (piezas del sistema de control de emisiones), siempre y cuando tales piezas estén presentes en el motor de B&S o en el sistema de combustible suministrado por B&S.
  - a. Sistema de medición de combustible
    - Sistema de enriquecimiento para arranque en frío (estrangulador suave)
    - Mezclador
    - Carburador o sistema de inyección de combustible
    - Sensor de oxígeno
    - Unidad de control electrónica
    - Módulo de la bomba de combustible
  - b. Sistema de inducción de aire
    - Filtro de aire
    - Múltiple de admisión
  - c. Sistema de encendido
    - Bujía(s)
    - Sistema de encendido con magneto
  - d. Sistema catalítico
    - Convertidor catalítico
    - Múltiple de escape
    - Sistema de inyección de aire o valor de impulso
  - e. Elementos diversos utilizados en los sistemas anteriores
    - Vacío, temperatura, posición, válvulas e interruptores sensibles al tiempo
    - Conectores y conjuntos
2. Duración de la cobertura  
El período de cobertura es de dos años a partir de la fecha original de compra, o bien el que se indique en la declaración de garantía del motor o del producto correspondiente, donde prevalecerá el plazo que sea mayor. B&S le garantiza al comprador original y a cada comprador en adelante que el motor ha sido diseñado, construido y equipado conforme a todas las regulaciones vigentes adoptadas en la sección 213 de la Ley de Aire Limpio (Clear Air Act); que no presenta defectos de material ni de mano de obra que podrían ocasionar la falla de alguna pieza en garantía; y que es idéntico en todos los aspectos materiales al motor descrito en la solicitud de certificación presentada por el fabricante. El período de garantía comienza el día de la fecha de compra original del motor.

La garantía de las piezas relacionadas con las emisiones es la siguiente:

- Cualquier pieza garantizada cuyo reemplazo no esté programado como parte del mantenimiento requerido en el Manual del operador suministrado está garantizada por el período de garantía antes mencionado. Si tal pieza falla durante el período de cobertura de la garantía, la pieza será reparada o sustituida por B&S, sin costo para el propietario. Cualquier pieza reparada o

reemplazada bajo la garantía estará garantizada por lo que reste del período de garantía.

- Cualquier pieza garantizada que solo esté programada para inspección periódica en el Manual del operador suministrado está garantizada por el período de garantía antes mencionado. Cualquier pieza reparada o reemplazada bajo la garantía estará garantizada por lo que reste del período de garantía.
- Cualquier pieza garantizada que esté programada para ser reemplazada como parte del mantenimiento requerido en el Manual del operador suministrado está garantizada por el período anterior al primer reemplazo programado para esa pieza. Si la pieza falla antes del primer reemplazo programado, la pieza será reparada o sustituida por B&S, sin costo para el propietario. Cualquier pieza reparada o reemplazada bajo garantía quedará garantizada por el resto del período anterior al primer reemplazo programado para la pieza.
- No se pueden utilizar piezas adicionales ni modificadas que no estén exentas de acuerdo con la Junta de Recursos del Aire (Air Resources Board). El uso por parte del propietario de cualquier pieza adicional o modificada que no esté exenta será causa suficiente para anular un reclamo en garantía. El fabricante no será responsable de las fallas de piezas garantizadas causadas por el uso de piezas adicionales o modificadas que no estén exentas.

3. Cobertura consecuente

La cobertura se ampliará a los fallos de cualesquier componentes del motor causados por la falla de cualquier pieza garantizada en cuanto a emisiones.

4. Reclamaciones y exclusiones a la cobertura

Las reclamaciones por garantía deberán ser presentadas de acuerdo con las disposiciones de la política de garantía de motores de B&S. La cobertura de garantía no se aplica a fallas de piezas de emisiones que no sean piezas originales de los equipos de B&S o a piezas que fallen debido a abuso, negligencia o mantenimiento incorrecto, según lo establecido en la política de garantía de motores de B&S. B&S no es responsable de la cobertura en garantía de fallas de piezas de emisiones causadas por el uso de piezas adicionales o modificadas.

**Consulte la información relevante sobre el período de durabilidad de emisiones y el índice de aire en la etiqueta de emisiones de su pequeño motor todo terreno.**

Los motores Briggs & Stratton cuentan con la certificación de la Agencia de Protección Ambiental de los Estados Unidos (USEPA) respecto de los estándares de emisiones de fase 3. El Período de Cumplimiento de las Emisiones que figura en la etiqueta de emisiones indica la cantidad de horas para las que se ha demostrado que el motor en funcionamiento cumple con los requerimientos federales de emisiones.

**Para motores con desplazamiento de 80 cc o menos:**

Categoría C = 50 horas, Categoría B = 125 horas, Categoría A = 300 horas

**Para motores con desplazamiento mayor a 80 cc o menor a 225 cc:**

Categoría C = 125 horas, Categoría B = 250 horas, Categoría A = 500 horas

**Para motores con desplazamiento de 225 cc o mayor:**

Categoría C = 250 horas, Categoría B = 500 horas, Categoría A = 1000 horas

80012791 (Rev. C)

Ce manuel contient des informations relatives à la sécurité afin que vous connaissiez les dangers et risques qui sont liés aux souffleuses à neige et la façon de les éviter. Il contient également des directives sur la bonne utilisation et le bon entretien du moteur. Dans la mesure où Briggs & Stratton Corporation ne connaît pas nécessairement quel équipement ce moteur alimentera, il est important que vous lisiez et compreniez ces directives ainsi que celles se rapportant à l'équipement. **Conserver ces instructions d'origine pour référence future.**

*Remarque :* Les données et illustrations de ce manuel sont fournies pour votre référence uniquement et peuvent différer en fonction du modèle. Contacter votre revendeur si vous avez des questions.

Pour obtenir des pièces de rechange ou une assistance technique, enregistrez le modèle, le type, les numéros de code ainsi que la date d'acquisition du moteur. Ces numéros sont situés sur le moteur (voir la section **Fonctions et commandes**).

Date d'achat	
Modèle – Type – Coupe du moteur	
Numéro de série du moteur	

Recherche le code à barre 2D se trouvant sur certains moteurs. Lorsque le code est lu avec un appareil 2D, il vous amènera sur notre site Web où vous pourrez trouver une assistance pour ce produit. Les taux de données s'appliquent. Certains pays n'ont peut-être pas une assistance en ligne.



Symbole	Signification	Symbole	Signification
	Risque d'incendie		Risque d'explosion
	Risque de décharge électrique		Danger de fumées toxiques
	Risque de surface chaude		Risque lié au bruit - protection auditive recommandée pour une utilisation prolongée.
	Risque de projection d'objets - porter des lunettes de protection.		Risque d'explosion
	Risque de gelure		Risque d'effet de recul
	Risque d'amputation - pièces mobiles		Risque chimique
	Risque thermique		Corrosif

## Recyclage

		Tous les emballages, l'huile usagée et les batteries doivent être recyclés conformément aux réglementations publiques applicables.
--	--	--

## Sécurité de l'opérateur

### Symbole de sécurité et termes indicateurs

Le symbole de sécurité permet d'identifier les informations de sécurité sur les dangers pouvant blesser quelqu'un. Un mot-indicateur (DANGER, AVERTISSEMENT ou ATTENTION) est utilisé avec le symbole d'alerte pour indiquer la probabilité et la gravité potentielle de la blessure. Par ailleurs, un symbole de sécurité peut être utilisé pour représenter le type de danger.

**DANGER** indique un danger qui, si non évité, **causera la mort ou des blessures graves.**

**AVERTISSEMENT** indique un danger qui, si non évité, **pourrait causer la mort ou des blessures graves.**

**ATTENTION** indique un danger qui, si non évité, **pourrait causer des blessures mineures ou modérées.**

**AVIS** indique une situation qui **pourrait causer des dommages au produit.**

### Symboles de risque et leurs significations

Symbole	Signification	Symbole	Signification
	Informations de sécurité sur les dangers pouvant provoquer des dommages corporels.		Lire attentivement le contenu du manuel d'utilisation avant de faire fonctionner l'appareil ou d'intervenir dessus.

## Messages de sécurité



### AVERTISSEMENT

Certains composants de ce produit et de ses accessoires contiennent des produits chimiques reconnus dans l'État de Californie comme étant cause de cancer, d'anomalies congénitales ou d'autres effets néfastes sur la fonction de reproduction. Se laver les mains après la manipulation.



### AVERTISSEMENT

Les gaz d'échappement du moteur de ce produit contiennent des produits chimiques reconnus par l'État de Californie comme étant cause de cancer, d'anomalies congénitales ou d'autres effets néfastes sur la fonction de reproduction.



### AVERTISSEMENT

Les moteurs Briggs & Stratton ne sont pas conçus pour les équipements suivants et ne doivent pas être utilisés pour les alimenter : karts de loisir ; karts de course ; véhicules de loisir pour les enfants et de sport tous-terrains (ATV) ; cyclomoteurs ; aéroglisseurs ; engins aériens ; ou véhicules utilisés lors de compétitions non approuvées par Briggs & Stratton. Pour plus d'informations concernant les produits destinés à la compétition, consulter [www.briggsracing.com](http://www.briggsracing.com). Pour une utilisation avec des quads utilitaires et côte-à-côte, veuillez contacter le Centre d'application des moteurs Briggs & Stratton, au 1-866-927-3349. Une application inadaptée au moteur risque d'entraîner des blessures graves, voire mortelles.



### AVERTISSEMENT



L'essence et ses vapeurs sont hautement inflammables et explosives.

Un incendie ou une explosion peuvent provoquer de graves brûlures ou la mort.

### Lors de l'ajout de carburant

- Arrêter le moteur et le laisser refroidir au moins 2 minutes avant de retirer le bouchon du réservoir.
- Remplir le réservoir de carburant à l'extérieur ou dans un endroit bien ventilé.

- Ne jamais trop remplir le réservoir de carburant. Pour permettre l'expansion du carburant, ne pas dépasser le bas du col de remplissage du réservoir en effectuant le plein.
- Garder le carburant loin des étincelles, des flammes nues, des lampes témoins, de chaleur et d'autres sources d'allumage.
- Vérifier régulièrement que les canalisations, le réservoir, le bouchon et les raccords de carburant ne présentent ni fissures ni fuites. Remplacer si nécessaire.
- Si du carburant se répand, attendre jusqu'à ce qu'il s'évapore avant de démarrer le moteur.

#### Démarrage du moteur

- S'assurer que la bougie, le silencieux, le bouchon du réservoir de carburant et le filtre à air (le cas échéant) sont montés et solidement fixés.
- Ne pas démarrer le moteur sans la bougie.
- Si le moteur se noie, mettre le starter (le cas échéant) en position OUVERT/MARCHE, amener la manette des gaz (le cas échéant) en position RAPIDE et lancer le moteur jusqu'à ce qu'il démarre.

#### Pendant l'utilisation de l'équipement

- Ne pas pencher le moteur ou l'équipement à un angle qui risquerait de faire couler de l'essence.
- Ne pas actionner le starter pour arrêter le moteur.
- Ne jamais démarrer ou faire fonctionner le moteur sans l'épurateur d'air (le cas échéant) ou le filtre à air (le cas échéant).

#### Lors du changement de l'huile

- Si vous vidangez l'huile par le bouchon de remplissage supérieur, le réservoir de carburant doit être vide, car une fuite éventuelle pourrait provoquer un incendie, voire une explosion.

#### Lorsque l'entretien requiert de basculer la machine

- S'il est nécessaire de basculer la machine au cours de l'entretien, le réservoir de carburant, s'il est monté sur le moteur, doit être vide, sinon le carburant risque de couler et d'entraîner un incendie ou une explosion.

#### Lors du transport de la machine

- Transporter avec le réservoir de carburant VIDE ou le robinet d'essence en position CLOSED (FERMÉE).

#### Entreposage de carburant ou d'équipements dont le réservoir contient du carburant

- Entreposez-les à l'écart des chaudières, poêles, chauffe-eaux ou autres appareils ménagers comportant une veilleuse ou une autre source d'inflammation pouvant enflammer les vapeurs d'essence.



#### AVERTISSEMENT

Le démarrage du moteur produit des étincelles.

Une étincelle peut mettre le feu aux gaz inflammables à proximité.

Elle pourrait provoquer une explosion ou un incendie.

- Si une fuite de gaz de pétrole liquéfié (GPL) ou de gaz naturel est présente à l'endroit où vous vous trouvez, ne pas tenter de mettre le moteur en marche.
- Ne pas utiliser de fluides de démarrage sous pression, car les vapeurs sont inflammables.



#### AVERTISSEMENT

**RISQUE LIÉ AUX GAZ TOXIQUES.** Les gaz d'échappement du moteur contiennent du monoxyde de carbone, un gaz toxique qui pourrait vous tuer en quelques minutes à peine. Vous NE POUVEZ NI le voir, NI le sentir, NI le goûter. Même si vous ne sentez pas l'odeur des gaz d'échappement, vous courrez toujours le risque de respirer du monoxyde de carbone. Si vous commencez à vous sentir malade, pris de vertiges ou faible quand vous utilisez ce produit, coupez le moteur IMMÉDIATEMENT et allez respirer de l'air frais. Consultez un médecin. Il se peut que vous soyez victime d'un empoisonnement au monoxyde de carbone.

- Utilisez cet équipement UNIQUEMENT à l'extérieur et en vous tenant éloigné des fenêtres, portes et ouvertures d'aération pour réduire le risque que du monoxyde de carbone ne s'accumule et ne soit éventuellement aspiré dans des espaces où vivent des personnes ou des animaux.
- Conformément aux instructions du fabricant, installez des alarmes monoxyde de carbone fonctionnant à piles ou alimentées par câble avec batterie de secours. Les détecteurs de fumée ne peuvent pas déceler la présence de monoxyde de carbone.

- NE PAS faire fonctionner cet équipement dans des maisons, garages, sous-sols, vides sanitaires, remises de jardin ou d'autres espaces partiellement confinés, même si des ventilateurs, des portes ou des fenêtres ouvertes facilitent la ventilation. Le monoxyde de carbone peut s'accumuler rapidement dans ces espaces et subsister pendant des heures, même après l'arrêt de l'équipement.
- Disposer TOUJOURS cet équipement dans le sens du vent et orienter l'échappement du moteur dans la direction opposée aux espaces occupés par des personnes ou des animaux.



#### AVERTISSEMENT

La rétraction rapide du cordon de lanceur (effet de recul) aura pour effet de tirer la main et le bras vers le moteur en moins de temps qu'on ne l'imagine.

Des os cassés, des fractures, des blessures, ou des foulures peuvent en résulter.

- Pour démarrer le moteur, tirer lentement le cordon du lanceur jusqu'à percevoir une résistance et tirer ensuite rapidement pour éviter tout effet de recul.
- Retirer toute charge extérieure à l'équipement ou au moteur avant de le démarrer.
- Les éléments directement couplés à l'équipement, notamment les lames, turbines, poulies, engrenages, etc., devront être fermement arrimés.



#### AVERTISSEMENT

Les pièces rotatives peuvent toucher ou happer les mains, les pieds, les cheveux, les vêtements ou tout autre accessoire.

Une amputation traumatique ou de graves lacérations peuvent en résulter.

- Utiliser l'équipement avec les protections en place.
- Tenir les mains et les pieds éloignés des pièces en rotation.
- Attacher les cheveux longs et retirer les bijoux.
- Ne pas porter de vêtements amples, de ceintures larges pendantes ou tout vêtement pouvant être saisi.



#### AVERTISSEMENT

Les moteurs en marche produisent de la chaleur. Les pièces du moteur, en particulier le silencieux, deviennent extrêmement chaudes.

Des brûlures thermiques graves peuvent se produire par contact.

Les débris combustibles tels que les feuilles, l'herbe, les broussailles, etc., peuvent prendre feu.

- Laisser refroidir le pot d'échappement, le cylindre et les ailettes du moteur avant de les toucher.
- Retirer les débris qui se sont accumulés autour de la zone du pot d'échappement et du cylindre.
- L'utilisation ou le fonctionnement du moteur sur des terrains forestiers, broussailleux ou herbeux constitue une violation de la Section 4442 du Code des ressources publiques de Californie, à moins que le système d'échappement ne soit équipé d'un pare-étincelles, comme le stipule cette Section 4442, maintenu en bon état de marche. D'autres états ou juridictions fédérales peuvent avoir des lois similaires. Contacter le constructeur d'origine, le détaillant ou le revendeur de l'équipement pour obtenir un pare-étincelles conçu pour le système d'échappement installé sur ce moteur.



#### AVERTISSEMENT

Des étincelles involontaires peuvent provoquer un incendie ou un choc électrique.

Un démarrage accidentel peut causer un étranglement, une amputation traumatique ou une lacération.

Risque d'incendie

#### Avant de procéder à des réglages ou des réparations :

- Débrancher le fil de la bougie d'allumage et le tenir à l'écart de la bougie.
- Débrancher la batterie en retirant le câble de la borne négative de la batterie (uniquement pour les moteurs à démarreur électrique).
- Utiliser uniquement des outils appropriés.
- Ne pas intervenir sur le ressort du régulateur de vitesse, les tringles ou d'autres pièces, pour augmenter le régime du moteur.

- Les pièces de rechange doivent être les mêmes et installées dans la même position que celles d'origine. D'autres pièces peuvent ne pas être aussi performantes, endommager l'équipement et provoquer des blessures.
- Ne pas taper sur le volant moteur avec un marteau ou un objet dur, ce qui risquerait d'entraîner une rupture ultérieure du volant lors du fonctionnement du moteur.

#### Contrôle de l'étincelle :

- Utiliser un vérificateur de bougie d'allumage approuvé.
- Ne pas contrôler la production d'étincelles sans la bougie.

## Fonctions et commandes





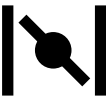



### Commandes du moteur


Comparer l'illustration (Figure : 1, 2, 3, 4) avec votre moteur afin de vous familiariser avec l'emplacement des diverses fonctions et commandes.

- A. Numéros d'identification du moteur **Modèle - Type - Code**
- B. Bougie
- C. Épurateur d'air, cyclonique
- D. Épurateur d'air, surbaissé
- E. Jauge
- F. Orifice de remplissage d'huile
- G. Filtre à huile
- H. Bouchon de vidange
- I. Capteur de pression d'huile
- J. Protège-doigts
- K. Démarreur électrique
- L. Solénoïde du starter
- M. Régulateur/Redresseur
- N. Carburateur - Modèles de carburateurs
- O. Radiateur d'huile (si présent)
- P. Silencieux (si présent)
- Q. Pompe à carburant
- R. Commutateur de démarrage <sup>1</sup>
- S. Commande des gaz <sup>1</sup>
- T. Commande de starter - Modèles de carburateurs <sup>1</sup>
- U. Filtre à carburant (si présent)

<sup>1</sup> Certains moteurs et équipements disposent de commandes distantes. Se reporter au manuel de l'équipement pour connaître l'emplacement et l'utilisation des commandes à distance.

## Symboles des commandes du moteur et significations

Symbole	Signification	Symbole	Signification
	Régime moteur - FAST (RAPIDE)		Régime moteur - SLOW (LENT)
	Régime moteur - STOP (ARRÊT)		ON - OFF (MARCHE - ARRÊT)
	Démarrage du moteur - Starter CLOSED (FERMÉ)		Démarrage du moteur - Starter OPEN (OUVERT)
	Bouchon de carburant Robinet d'essence - OPEN (OUVERT)		Robinet d'essence - CLOSED (FERMÉ)

Symbole	Signification	Symbole	Signification
	Niveau d'essence - Maximum Ne pas trop remplir le réservoir		

## Fonctionnement

### Huiles recommandées

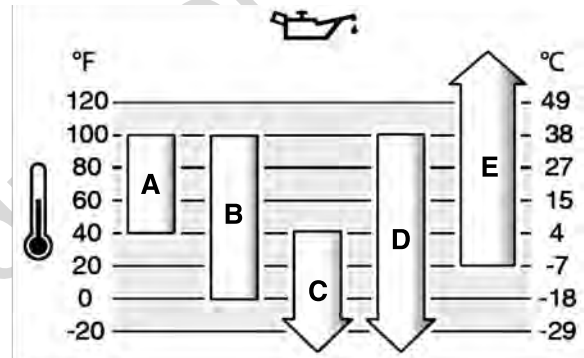
**Capacité d'huile :** Se reporter aux *Caractéristiques* techniques.

#### AVIS

Ce moteur est livré sans huile par Briggs & Stratton. Les fabricants d'équipements ou les concessionnaires sont susceptibles d'avoir ajouté de l'huile au moteur. Avant de démarrer le moteur pour la première fois, veiller à vérifier le niveau d'huile et à faire l'appoint en suivant les instructions de ce manuel. Si un moteur sans huile est mis en marche, il sera endommagé de manière irrémédiable et ne sera pas couvert par la garantie.

Nous recommandons l'utilisation d'huiles garanties et certifiées Briggs & Stratton pour obtenir les meilleures performances. D'autres huiles détergentes de haute qualité sont acceptables si elles sont de catégorie SF, SG SH, SJ ou supérieure. Ne pas utiliser d'additifs spéciaux.

Les températures extérieures déterminent le choix de la viscosité de l'huile convenant au moteur. Utilisez le tableau pour sélectionner la meilleure viscosité en fonction de la plage de températures extérieures prévue. Les moteurs de la plupart des équipements extérieurs se comportent bien avec de l'huile synthétique 5W-30. Pour les équipements utilisés par grandes chaleurs, l'huile synthétique Vanguard™ 15W-50 offre la meilleure protection.



A	SAE 30 - En-dessous de 4 °C, l'utilisation de l'huile SAE 30 rendra le démarrage difficile.
B	10W-30 - Au-dessus de 27 °C, l'utilisation de l'huile 10W-30 peut augmenter la consommation d'huile. Vérifiez le niveau d'huile plus fréquemment.
C	5W-30
D	5W-30 synthétique
E	Vanguard™ synthétique 15W-50

## Vérification du niveau d'huile

Voir Figure : 5

#### Avant d'ajouter de l'huile ou de vérifier le niveau

- Mettre le moteur de niveau.
- Nettoyer le pourtour de l'orifice de remplissage de tout débris.

1. Retirer la jauge (A, Figure 5) et la nettoyer avec un chiffon propre.
2. Engager entièrement la jauge (A, Figure 5).
3. Sortir la jauge et vérifier le niveau d'huile. Il doit être au ras de l'indicateur de niveau maximum (B, Figure 5) sur la jauge.
4. Si le niveau est insuffisant, ajouter de l'huile en l'incorporant par l'orifice de remplissage du moteur (C, Figure 5). **Ne pas trop remplir.** Après avoir ajouté de l'huile, attendre une minute, puis vérifier à nouveau le niveau d'huile.
5. Engager entièrement la jauge (A, Figure 5).



## Système de détection de niveau d'huile bas (le cas échéant)

Certains moteurs sont équipés d'une sonde de détection de niveau d'huile bas. Si le niveau d'huile est insuffisant, la sonde active un voyant d'alerte ou arrête le moteur. Arrêter le moteur et procéder comme décrit ci-dessous avant de remettre en marche le moteur.

- Mettre le moteur de niveau.
- Contrôler le niveau d'huile. Se reporter à la section **Vérifier le niveau d'huile**.
- Si le niveau est insuffisant, faire l'appoint avec la quantité appropriée d'huile. Mettre le moteur en marche et s'assurer que le voyant d'alerte (si prévu) n'est pas allumé.
- Si le niveau d'huile est correct, ne pas faire démarrer le moteur. Contacter un Réparateur agréé Briggs & Stratton pour corriger un problème d'huile.

## Recommandations de carburant

Le carburant doit répondre aux critères suivants :

- Essence sans plomb, propre et fraîche.
- Au minimum 87 octanes/87 AKI (91 RON). Utilisation en haute altitude, voir ci-dessous.
- De l'essence contenant jusqu'à 10 % d'éthanol (carburol) est acceptable.

**AVIS** Ne pas utiliser d'essence non approuvée telle que l'E15 ou l'E85. Ne pas mélanger de l'huile avec l'essence ou modifier le moteur afin qu'ils puissent utiliser des carburants alternatifs. L'utilisation de carburants non approuvés peut endommager les composants, ce qui n'est pas couvert par la garantie.

Pour empêcher que de la gomme ne se forme dans le circuit d'alimentation, mélanger un stabilisateur de carburant à l'essence. Voir **Entreposage**. Tous les carburants ne sont pas identiques. Si des problèmes de démarrage ou de performance se produisent, changer de fournisseur de carburant ou changer de marque. Ce moteur est certifié pour fonctionner à l'essence. Le système de contrôle des émissions pour ce moteur est de type EM (Engine Modifications).

### Haute altitude

À des altitudes supérieures à 1 524 mètres (5 000 pieds), de l'essence d'au minimum 85 octane/85 AKI (89 RON) est acceptable.

Pour conserver les caractéristiques d'émission, un réglage spécial haute altitude est nécessaire. Faire fonctionner le moteur sans ce réglage fait baisser ses performances, augmenter la consommation de carburant et les émissions. Contacter un Réparateur agréé Briggs & Stratton pour davantage d'informations sur le réglage haute altitude. Le fonctionnement du moteur à une altitude inférieure à 762 mètres (2 500 pieds) avec le kit haute altitude n'est pas recommandé.

Pour les moteurs à injection électronique (EFI), le réglage haute altitude est inutile.

## Faire le plein

Voir Figure : 6



**L'essence et ses vapeurs sont extrêmement inflammables et explosifs.**

**Un incendie ou une explosion peuvent provoquer de très graves blessures ou être mortelles.**

Pour faire le plein

- Arrêter le moteur et le laisser refroidir au moins 2 minutes avant de retirer le bouchon du réservoir.
  - Remplir le réservoir de carburant à l'extérieur ou dans un local extrêmement bien ventilé.
  - Ne pas trop remplir le réservoir de carburant. Pour permettre la dilatation de l'essence, ne pas remplir au-delà du bas du col de remplissage.
  - Veiller à tenir l'essence à l'écart des étincelles, des flammes nues, des veilleuses, de la chaleur et de toute autre source d'ignition.
  - Contrôler régulièrement que les durites, le réservoir, le bouchon et les raccords de réservoir ne présentent ni fissures, ni fuites. Remplacer si nécessaire.
  - Si du carburant a été renversé, attendre son évaporation complète avant de démarrer le moteur.
1. Nettoyer le pourtour du bouchon d'essence de la poussière et des débris. Enlever le bouchon d'essence.
  2. Remplir le réservoir (A, Figure 6) d'essence. Pour permettre la dilatation du carburant, ne pas remplir au-delà du bas du la base du col de remplissage. (B).
  3. Remettre le bouchon du réservoir en place.

## Démarrage et arrêt du moteur

Voir Figure : 7

### Démarrage du moteur



**Le carburant et ses vapeurs sont extrêmement inflammables et explosifs.**

**Un incendie ou une explosion peuvent provoquer des blessures très graves, voire mortelles.**

### Démarrage du moteur

- S'assurer que la bougie, le silencieux, le bouchon du réservoir de carburant et le filtre à air (si présent) sont montés et solidement fixés.
- Ne pas faire tourner le moteur sans la bougie.
- Si le moteur est noyé, placer le starter (si présent) en position OPEN / RUN (OUVERT/MARCHE), amener l'accélérateur (si présent) en position FAST (RAPIDE) et lancer le moteur jusqu'à ce qu'il démarre.



**RISQUE LIÉ AUX GAZ TOXIQUES.** Les gaz d'échappement du moteur contiennent du monoxyde de carbone, gaz toxique qui pourrait vous tuer en l'espace de quelques minutes. Il est INVISIBLE et INODORE. Même si vous n'inhalez pas de gaz d'échappement, vous courez toujours le risque de respirer du monoxyde de carbone. Si vous commencez à vous sentir malade, pris de vertiges ou faible quand vous utilisez cette machine, couper le moteur et sortir IMMÉDIATEMENT respirer de l'air frais. Consulter un médecin. Il se peut que vous soyez victime d'un empoisonnement au monoxyde de carbone.

- Utiliser cet équipement UNIQUEMENT à l'extérieur et à l'écart des fenêtres, portes et aérations pour réduire le risque d'accumulation de monoxyde de carbone et son éventuelle propagation à des espaces occupés.
- Installer des avertisseurs de monoxyde de carbone fonctionnant à piles ou alimentés par câble avec batterie de secours selon les directives du fabricant. Les détecteurs de fumée ne peuvent pas déceler la présence de monoxyde de carbone.
- NE PAS faire fonctionner ce produit dans des maisons, garages, sous-sols, vides sanitaires, remises de jardin ou d'autres espaces partiellement confinés, même si des ventilateurs, des portes ou des fenêtres ouvertes facilitent la ventilation. Le monoxyde de carbone peut s'accumuler rapidement dans ces espaces et subsister pendant des heures, même après l'arrêt de l'équipement.
- TOUJOURS positionner cet équipement dans le sens du vent et orienter l'échappement du moteur dans la direction opposée aux espaces occupés.

**AVIS** Ce moteur est livré sans huile par Briggs & Stratton. Avant de démarrer le moteur, s'assurer d'ajouter de l'huile en suivant les instructions de ce manuel. Si un moteur sans huile est mis en marche, il sera endommagé de manière irréversible et ne sera pas couvert par la garantie.

### Déterminer le type de système de démarrage

Avant de mettre le moteur en marche, vous devez déterminer le type du système de démarrage dont il est équipé. Votre moteur peut être pourvu des systèmes suivants :

- **Système d'injection électronique (EFI)** : ce système comprend l'injection électronique. Il n'a ni starter ni amorceur.
- **Système de starter** : Ce moteur comprend un starter utilisé pour le démarrage à basse température. Certains modèles sont équipés d'une commande de starter séparée alors que d'autres sont équipés d'une commande combinée starter et gaz. Ce type de moteur ne comporte pas de poire d'amorçage.

*Remarque* : L'équipement peut être doté de commandes à distance. Se reporter au manuel de l'équipement pour connaître l'emplacement et l'utilisation des commandes à distance.

### Système d'injection électronique (EFI)

1. Vérifier l'huile moteur. Se reporter à la section **Vérifier le niveau d'huile**.
2. S'assurer que les commandes d'entraînement de l'équipement, si présentes, sont débrayées.
3. Amener le robinet d'essence (A, Figure 7) éventuellement présent en position OPEN (OUVERT).
4. Amener la commande des gaz éventuellement présente (B, Figure 7) en position FAST (RAPIDE). Faire fonctionner le moteur en position FAST (RAPIDE).
5. Appuyer sur le commutateur d'arrêt éventuellement prévu (D, Figure 7) pour l'amener à la position ON (MARCHE).

6. Tourner le commutateur de démarrage électrique (E, Figure 7) en position ON ou START (MARCHE ou DÉMARRER).

**AVIS** Pour prolonger la durée de vie du démarreur, ne l'utiliser que pendant des cycles courts (cinq secondes maximum). Attendre une minute avant de recommencer.

*Remarque* : Si le moteur ne démarre pas malgré plusieurs tentatives, prendre contact avec le Réparateur le plus proche, consulter la page [VanguardEngines.com](http://VanguardEngines.com) ou appeler le 1-800-999-9333 (aux États-Unis).

## Système de starter

1. Vérifier l'huile moteur. Se reporter à la section **Vérifier le niveau d'huile**.
2. S'assurer que les commandes d'entraînement de l'équipement, si présentes, sont débrayées.
3. Amener le robinet d'essence (A, Figure 7) éventuellement présent en position OPEN (OUVERT).
4. Amener la commande des gaz éventuellement présente (B, Figure 7) en position FAST (RAPIDE). Faire fonctionner le moteur en position FAST (RAPIDE).
5. Amener la commande de starter (C, Figure 7) ou la commande combinée starter/gaz en position CLOSED (FERMÉ).

*Remarque* : Pour démarrer le moteur avec un système à carburant sec (premier démarrage ou après une panne de carburant), une plus longue durée de lancement en position starter sera nécessaire. La pompe à carburant aura ainsi le temps d'amorcer le système de carburant.

6. Appuyer sur le commutateur d'arrêt éventuellement prévu (D, Figure 7) pour l'amener à la position ON (MARCHE).
7. Tourner le contacteur à clé (E, Figure 7) vers la position ON ou START (MARCHE ou DÉMARRER).
8. Si le moteur tourne puis qu'il s'arrête, amener la commande de starter (C, Figure 7) en position OPEN (OUVERT) pour démarrer le moteur.

**AVIS** Pour prolonger la durée de vie du démarreur, ne l'utiliser que pendant des cycles courts (cinq secondes maximum). Attendre une minute avant de recommencer.

9. À mesure que le moteur se réchauffe, déplacer la commande de starter (C, Figure 7) en position OPEN (OUVERT).

*Remarque* : Si le moteur ne démarre pas malgré plusieurs tentatives, prendre contact avec le Réparateur le plus proche, consulter la page [VanguardEngines.com](http://VanguardEngines.com) ou appeler le 1-800-999-9333 (aux États-Unis).

## Arrêt du moteur



**Le carburant et ses vapeurs sont extrêmement inflammables et explosifs.**

**Un incendie ou une explosion peuvent provoquer des blessures très graves, voire mortelles.**

- Ne pas étrangler le carburateur pour arrêter le moteur.
1. **Commutateur d'arrêt, si présent** : Déplacer le commutateur d'arrêt (D, Figure 7) en position OFF (ARRÊT).  
**Contacteur à clé, si présent** : Commande des gaz en position SLOW (RALENTI), tourner le contacteur à clé (E, Figure 7) en position OFF (ARRÊT). Retirer la clé et la garder dans un endroit sûr hors de portée des enfants.
  2. Après l'arrêt du moteur, amener le robinet d'essence éventuellement présent (A, Figure 7) en position CLOSED (FERMÉ).

## Entretien

**AVIS** Si le moteur est basculé pendant l'entretien, le réservoir de carburant doit être vidé et le côté où se trouve la bougie doit être en haut. Si le réservoir de carburant n'est pas vide et si le moteur est basculé dans toute autre direction, il sera peut-être difficile de le faire démarrer par suite d'huile ou de carburant contaminant le filtre à air et/ou la bougie.



### AVERTISSEMENT

S'il est nécessaire de basculer l'équipement au cours de l'entretien, le réservoir de carburant, s'il est monté sur le moteur, doit être vidé, sinon le carburant risque de couler et d'entraîner un incendie ou une explosion.

Nous vous recommandons de confier à un Réparateur Briggs & Stratton agréé tout l'entretien de votre moteur et de ses pièces.

**AVIS** Tous les composants de ce moteur doivent rester à leur place d'origine pour que le moteur fonctionne correctement.



### AVERTISSEMENT



**Une étincelle accidentelle peut provoquer un incendie ou une décharge électrique.**

**Un démarrage accidentel peut causer un étranglement, l'amputation ou la lacération d'un membre.**

### Risque d'incendie

#### Avant d'effectuer des réglages ou des réparations :

- Débrancher le fil de bougie et l'attacher à bonne distance de la bougie.
- Débrancher le câble Négatif de la batterie (uniquement pour les moteurs à démarrage électrique).
- N'utiliser que les outils corrects.
- Ne pas modifier le ressort du régulateur, les tringles ou autres pièces pour augmenter le régime du moteur.
- Les pièces de rechange doivent être d'origine et installées de la même façon que les pièces remplacées. D'autres pièces peuvent ne pas fonctionner aussi bien, peuvent endommager la machine et peuvent provoquer des blessures.
- Ne pas taper sur le volant moteur avec un marteau ou un objet dur ; cela pourrait entraîner une rupture ultérieure du volant pendant que le moteur fonctionne.

#### Contrôle de l'étincelle :

- Utiliser un contrôleur homologué.
- Ne pas contrôler l'étincelle avec la bougie retirée.

## Service du Contrôle des émissions

**L'entretien, le remplacement ou la réparation des dispositifs et systèmes de contrôle des émissions peuvent être effectués par tout établissement de réparation de moteurs hors route ou par une personne qualifiée.** Cependant, pour obtenir un service après-vente « gratuit » du contrôle des émissions, le travail doit être effectué par un revendeur agréé de l'usine. Voir la déclaration sur le contrôle des émissions.

## Calendrier d'entretien

<b>Toutes les 8 heures ou chaque jour</b>
<ul style="list-style-type: none"> <li>• Vérification du niveau d'huile moteur</li> <li>• Nettoyage autour du silencieux et des commandes</li> </ul>
<b>Toutes les 100 heures ou une fois par an</b>
<ul style="list-style-type: none"> <li>• Remplacer les bougies d'allumage</li> <li>• Changement de l'huile moteur</li> <li>• Remplacer le filtre à huile (si présent)</li> <li>• Entretien du filtre à air <sup>1,2</sup></li> <li>• Nettoyer le pré-filtre (si présent) <sup>1</sup></li> <li>• Entretien du système d'échappement</li> </ul>
<b>Toutes les 250 heures</b>
<ul style="list-style-type: none"> <li>• Contrôler le jeu des soupapes. Régler si nécessaire.</li> </ul>
<b>Toutes les 400 heures ou une fois par an</b>
<ul style="list-style-type: none"> <li>• Remplacer le filtre à air <sup>2</sup></li> <li>• Remplacement du filtre à carburant</li> <li>• Entretien du circuit de refroidissement <sup>1</sup></li> <li>• Nettoyer les ailettes du radiateur d'huile <sup>1</sup></li> </ul>
<b>Toutes les 600 heures ou une fois par an</b>
<ul style="list-style-type: none"> <li>• Remplacer le filtre de sécurité (si présent)</li> </ul>

- <sup>1</sup> À nettoyer plus fréquemment dans des conditions d'utilisation en atmosphère poussiéreuse ou chargée de débris en suspension.
- <sup>2</sup> Tous les trois changements de filtre à air, remplacer le filtre de sécurité interne (si présent).

## Système d'injection électronique (EFI)

Le système EFI surveille la température, la vitesse du moteur et la tension de la batterie pour le démarrage et le réchauffage du moteur. Il n'y a aucun réglage sur le système. En cas de problème de démarrage ou de fonctionnement, contacter un réparateur technique agréé Briggs & Stratton.

**AVIS** Veiller à respecter les étapes ci-dessous sous peine d'endommager le système EFI.

- Ne jamais démarrer le moteur si les câbles de la batterie sont desserrés.
- Mettre la clé en position OFF (ARRÊT) avant de débrancher, retirer et/ou installer la batterie.
- Ne jamais utiliser de chargeur de batterie pour démarrer le moteur.
- Ne jamais débrancher les câbles de la batterie pendant que le moteur tourne.
- Pour brancher les câbles de la batterie, connecter d'abord le câble positif (+), puis le câble négatif (-) à la batterie.
- Lorsque la batterie est en charge, mettre le contacteur en position OFF (ARRÊT) et débrancher le câble négatif (-) de la batterie.
- Ne pas vaporiser de l'eau directement sur le module de commande électronique.

## Carburateur et régime moteur

Ne jamais procéder à des réglages du carburateur ou du régime moteur. Le carburateur a été réglé à l'usine pour fonctionner de manière efficace dans la plupart des conditions. Ne pas altérer le ressort du régulateur, la tringlerie ou toute autre pièce pour augmenter le régime du moteur. Si un réglage s'impose, s'adresser à une Station Service Briggs & Stratton agréée.

**AVIS** Le constructeur de l'équipement spécifie le régime maximal du moteur tel qu'installé sur l'équipement. **Ne pas dépasser** ce régime. En cas de doute quant au régime maximal pour l'équipement ou au régime moteur configuré en sortie d'usine, s'adresser à une Station Service Briggs & Stratton agréée. Pour garantir la sécurité et le bon fonctionnement de l'équipement, le régime moteur ne doit être réglé que par un technicien de service qualifié.

## Entretien de la bougie

Voir Figure : 8

Vérifier l'écartement des électrodes (A, Figure 8) avec une jauge à fil (B). Régler l'écartement des électrodes au besoin. Remettre la bougie et la serrer au couple recommandé. Pour régler l'écartement et trouver le couple de serrage, voir la section **Spécifications**.

**Remarque** : Dans certains pays, la législation impose l'emploi de bougies à résistance pour supprimer les parasites à l'allumage. Si ce moteur était équipé d'une bougie avec résistance, utiliser le même type de bougie lors de son remplacement.

## Entretien du système d'échappement



**AVERTISSEMENT**

**Un moteur en marche produit de la chaleur. Les pièces du moteur, et plus particulièrement le silencieux, deviennent extrêmement chaudes.**

**Les toucher peut provoquer de graves brûlures.**

**Les débris combustibles comme les feuilles, l'herbe, les broussailles peuvent s'enflammer.**

- Laisser le silencieux, le cylindre du moteur et les ailettes refroidir avant de les toucher.
- Retirer les débris accumulés autour du silencieux et du cylindre.
- L'utilisation ou le fonctionnement du moteur sur des terrains forestiers, broussailloux ou herbeux constituent une violation de la Section 4442 du California Public Resource Code, sauf si le système d'échappement est équipé d'un pare-étincelles, tel que défini dans la Section 4442, en bon état de fonctionnement. D'autres états ou juridictions fédérales peuvent appliquer des lois similaires. Contacter le fabricant, le distributeur ou le fournisseur d'origine de la machine pour obtenir un pare-étincelles conçu pour le système d'échappement installé sur ce moteur.

Retirer les débris accumulés autour du silencieux et du cylindre. Inspecter le silencieux à la recherche de fissures, de corrosion ou autre dommage. Retirer le déflecteur ou le pare-

étincelles, le cas échéant, et inspecter s'ils sont endommagés ou obstrués par des dépôts de carbone. En cas de défaut constaté, remplacer les pièces défectueuses avant de réutiliser l'équipement.



**AVERTISSEMENT**

Les pièces de rechange doivent être d'origine et installées de la même façon que les pièces remplacées. D'autres pièces peuvent ne pas fonctionner aussi bien, peuvent endommager la machine et peuvent provoquer des blessures.

## Changement de l'huile moteur

Voir Figure : 9, 10, 11

L'huile usagée constitue un déchet dangereux qui doit être éliminée de façon appropriée. Ne pas la jeter avec les déchets ménagers. Se renseigner sur les lieux de collecte ou de recyclage auprès des autorités locales, du centre de services ou du concessionnaire.

### Vidange de l'huile

1. Pendant que le moteur est arrêté mais encore chaud, déconnecter le ou les câbles de bougie (D, Figure 9) et les tenir à l'écart des bougies (E).
2. Retirer la jauge (A, Figure 10).
3. Retirer le bouchon de vidange (F, Figure 11). Vidanger l'huile dans un récipient homologué.
4. Quand l'huile a été vidangée, remettre et resserrer le bouchon de vidange (F, Figure 11).

### Remplacement du filtre à huile, si présent

Certains moteurs sont équipés d'un filtre à huile. Pour la fréquence de remplacement, se reporter au **Calendrier d'entretien**.

1. Vidanger l'huile du moteur. Se reporter à la rubrique **Vidange de l'huile**.
2. Déposer le filtre à huile (G, Figure 11) et le jeter de manière adéquate.
3. Avant d'installer le nouveau filtre à huile, lubrifier légèrement le joint du filtre avec de l'huile fraîche et propre.
4. Installer le filtre à huile à la main jusqu'à ce que le joint soit au contact de l'adaptateur du filtre puis visser le filtre de 1/2 à 3/4 de tours.
5. Ajouter de l'huile. Voir la rubrique **Ajout d'huile**.
6. Démarrer et faire tourner le moteur. À mesure que le moteur chauffe, détecter les éventuelles fuites d'huile.
7. Arrêter le moteur et vérifier le niveau d'huile. Il doit être au ras de l'indicateur de niveau maximum (B, Figure 10) sur la jauge.

### Ajout d'huile

- Mettre le moteur de niveau.
- Nettoyer le pourtour de l'orifice de remplissage de tout débris.
- Voir la section **Spécifications** pour connaître la capacité d'huile.

1. Retirer la jauge (A, Figure 10) et la nettoyer avec un chiffon propre.
2. Verser lentement l'huile par l'orifice de remplissage du moteur (C, Figure 10). **Ne pas trop remplir**. Après avoir ajouté de l'huile, attendre une minute puis vérifier le niveau d'huile.
3. Remettre la jauge en place et la resserrer (A, Figure 10).
4. Sortir la jauge et vérifier le niveau d'huile. Il doit être au ras de l'indicateur de niveau maximum (B, Figure 10) sur la jauge.
5. Remettre et resserrer la jauge (A, Figure 10).
6. Rebrancher le ou les fils de bougie (D, Figure 9) sur la ou les bougies (E).

## Entretien du filtre à air

Voir Figure : 12, 13



**AVERTISSEMENT**



**Le carburant et ses vapeurs sont extrêmement inflammables et explosifs.**

**Un incendie ou une explosion peuvent provoquer des blessures très graves, voire mortelles.**

- Ne jamais démarrer ou faire fonctionner le moteur sans l'ensemble de filtre à air (si présent) ou sans le filtre à air (si présent).

**AVIS** Ne pas utiliser d'air comprimé ou de solvant pour nettoyer le filtre. L'air comprimé peut endommager le filtre et les solvants le dissoudre.

Se reporter au **Calendrier d'entretien** pour connaître les prescriptions d'entretien.

Selon les modèles, le filtre peut être en mousse ou en papier. Certains modèles sont également équipés d'un préfiltre en option qui peut être lavé et réutilisé. Comparer les illustrations de ce manuel avec le type de filtre monté sur votre moteur et procéder comme suit pour l'entretien.

### Filtre à air en papier

1. Ouvrir la ou les attaches (A, Figure 12) et déposer le couvercle (B).
2. Retirer le filtre à air (C, Figure 12).
3. Pour faire tomber les débris, tapoter doucement le filtre à air sur une surface dure. Si le filtre à air est trop sale, le remplacer par un filtre à air neuf.
4. Pour retirer le filtre de sécurité (D, Figure 12), si présent, l'enlever délicatement du corps de l'épurateur d'air (E). S'assurer qu'aucune saleté ou qu'aucun débris n'entre dans le moteur.
5. Monter le nouveau filtre de sécurité (D, Figure 12) dans le corps de l'épurateur d'air (E).
6. Monter le filtre (C, Figure 12) sur le filtre de sécurité (D).
7. Remonter le couvercle (B, Figure 12) et refermer la ou les attaches (A).

### Filtre à air en papier

1. Retirer la ou les attaches (A, Figure 13).
2. Déposer le couvercle (B, Figure 13).
3. Retirer la ou les attaches (C, Figure 13) et l'arrêt (D).
4. Retirer le filtre à air (E, Figure 13).
5. Retirer le préfiltre (F, Figure 13), si présent, du filtre à air (E).
6. Pour faire tomber les débris, tapoter doucement le filtre à air (E, Figure 13) sur une surface dure. Si le filtre à air est trop sale, le remplacer par un filtre à air neuf.
7. Laver le préfiltre (F, Figure 13), si présent, avec un liquide détergent et de l'eau. Bien laisser sécher le préfiltre à l'air libre. **Ne pas** huiler le préfiltre.
8. Monter le préfiltre sec (F, Figure 13), si présent, sur le filtre à air (E).
9. Monter le filtre à air (E, Figure 13) et le bloquer à l'aide d'un arrêt (D) et d'une ou de plusieurs attaches (C).
10. Monter le couvercle (B, Figure 13) et le bloquer avec la ou les attaches (A). S'assurer que la ou les attaches soient bien serrées.

## Entretien du circuit de carburant

Voir l'illustration : 14



**AVERTISSEMENT** L'essence et ses vapeurs sont hautement inflammables et explosives.

**Un incendie ou une explosion peuvent entraîner de graves brûlures, voire même la mort.**

- Garder le carburant loin des étincelles, des flammes nues, des lampes témoins, de chaleur et d'autres sources d'allumage.
- Vérifier régulièrement que les canalisations, le réservoir, le bouchon et les raccords de carburant ne présentent ni fissures ni fuites. Remplacer si nécessaire.
- Avant de nettoyer ou de remplacer le filtre à carburant, vidanger le réservoir d'essence ou fermer le robinet d'essence.
- Si du carburant se répand, attendre jusqu'à ce qu'il s'évapore avant de démarrer le moteur.
- Les pièces de rechange doivent être d'origine et installées de la même façon que les pièces remplacées.

### Filtre à carburant, si équipé

1. Avant de remplacer le filtre à carburant (A, Figure 14), si équipé, vidanger le réservoir ou fermer le robinet d'essence. Sinon, une fuite de carburant peut se produire et provoquer un incendie ou une explosion.
2. Utiliser des pinces pour serrer les languettes (B, Figure 14) sur les colliers (C), puis faire glisser les colliers loin du filtre à carburant (A). Tourner et débrancher les durites (D) du filtre à carburant.
3. Vérifier que les durites (D, Figure 14) ne présentent ni fissures ni fuites. Remplacer si nécessaire.

4. Remplacer le filtre à carburant (A, Figure 14) par un filtre d'origine.
5. Fixer les durites (D, Figure 14) avec les colliers (C) comme indiqué.

## Entretien du système de refroidissement

Voir Figure : 15, 16



**AVERTISSEMENT** Les moteurs en marche produisent de la chaleur. Les pièces du moteur, et plus particulièrement le silencieux, deviennent extrêmement chaudes.

**En cas de contact, de graves brûlures peuvent se produire.**

**Les débris combustibles comme les feuilles, l'herbe, les broussailles, entre autres, peuvent s'enflammer.**

- Laisser refroidir le silencieux, le cylindre du moteur et les ailettes avant de les toucher.
- Retirer les débris accumulés autour du silencieux et du cylindre.

**AVIS** Ne pas utiliser d'eau pour nettoyer le moteur. L'eau peut contaminer le circuit de carburant. Utiliser une brosse ou un chiffon sec pour nettoyer le moteur.

Ce moteur est refroidi par air. De la poussière ou des débris peuvent affecter le débit d'air et faire chauffer le moteur, ce qui réduit ses performances et sa durée de vie.

1. Utiliser une brosse ou un chiffon sec pour enlever les débris de la zone d'admission d'air (A, Figure 15).
2. La tringlerie, les ressorts et les commandes (B, Figure 15, 16) doivent rester propres.
3. Aucun débris combustible ne doit se trouver dans la zone autour et à l'arrière du silencieux (C, Figure 15, 16).
4. S'assurer que les ailettes de refroidissement d'huile (D, Figure 15) sont exemptes de saletés et de poussière.
5. Desserrer la ou les attaches (E, Figure 16) jusqu'à ce qu'un clic se fasse entendre. Retirer le panneau (F) et nettoyer les saletés et la poussière. S'assurer de nettoyer également le dessous du panneau.
6. Monter le panneau (B, Figure 16) et le bloquer avec la ou les attaches (E). Serrer la ou les attaches jusqu'à ce qu'un clic se fasse entendre.

Avec le temps, des débris peuvent s'accumuler dans les ailettes de refroidissement du cylindre et entraîner une surchauffe de celui-ci. Ces débris ne sont pas visibles sans un démontage partiel du moteur. Un réparateur agréé Briggs & Stratton doit procéder à une inspection et à un nettoyage du système de refroidissement d'air selon les prescriptions du **Calendrier d'entretien**.

## Entreposage



**AVERTISSEMENT** L'essence et ses vapeurs sont hautement inflammables et explosives.

**Un incendie ou une explosion peuvent entraîner de graves brûlures, voire même la mort.**

### Entreposage de carburant ou d'équipements dont le réservoir contient du carburant

- Entreposez-les à l'écart des chaudières, cuisinières, chauffe-eaux ou autres appareils ménagers comportant une veilleuse ou une autre source d'inflammation pouvant enflammer les vapeurs d'essence.

### Circuit d'alimentation

Voir l'illustration : 17

Ranger le levier du moteur (en position normale de fonctionnement). Remplissage du réservoir (A, Figure 17) avec du carburant. Pour permettre l'expansion du carburant, ne pas dépasser le col de remplissage du réservoir en faisant le plein (B).

Le carburant peut s'éventer quand il est stocké plus de 30 jours. Un carburant éventé peut occasionner la formation de dépôts acides et de gomme dans le système d'alimentation ou sur les pièces essentielles du carburateur. Pour que le carburant conserve toutes ses propriétés, utilisez le **stabilisateur et agent de traitement de carburant à formule avancée Briggs & Stratton**, disponible dans tous les points de vente de pièces d'entretien d'origine Briggs & Stratton.

Il n'est pas nécessaire de purger l'essence du moteur si un stabilisateur de carburant a été ajouté selon les instructions. Avant son entreposage, faire tourner le moteur pendant deux (2) minutes pour faire circuler le stabilisateur dans le circuit d'alimentation.

Si le carburant dans le moteur n'a pas été traité avec un stabilisateur de carburant, il doit être purgé dans un récipient approuvé. Faire fonctionner le moteur jusqu'à ce qu'il s'arrête,

faute de carburant. L'utilisation d'un stabilisateur de carburant dans le récipient d'entreposage est recommandée pour que le carburant conserve toutes ses propriétés.

## Huile moteur

Pendant que le moteur est encore chaud, changer l'huile du moteur. Voir la section **Changer l'huile moteur**.

## Dépannage

Pour obtenir de l'aide, prendre contact avec le Réparateur le plus proche, consulter la page **VanguardEngines.com** ou appeler le **1-800-999-9333** (aux États-Unis).

## Spécifications

Modèle : 540000	
Cylindrée	54.68 ci (896 cc)
Alésage	3.366 in (85,5 mm)
Course	3.071 in (78,0 mm)
Capacité d'huile	78 - 80 oz (2,3 - 2,4 L)
Écartement des électrodes de bougie	.030 in (,76 mm)
Couple de serrage de bougie	180 lb-in (20 Nm)
Entrefer volant/bobine	.005 - .008 in (,13 - ,20 mm)
Jeu de soupape d'admission	.004 - .006 in (,10 - ,15 mm)
Jeu de soupape d'échappement	.007 - .009 in (,18 - ,23 mm)

Modèle : 610000, 61E100	
Cylindrée	60.60 ci (993 cc)
Alésage	3.366 in (85,5 mm)
Course	3.406 in (86,5 mm)
Capacité d'huile	78 - 80 oz (2,3 - 2,4 L)
Écartement des électrodes de bougie	.030 in (,76 mm)
Couple de serrage de bougie	180 lb-in (20 Nm)
Entrefer volant/bobine - Modèles de carburateurs	.005 - .008 in (,13 - ,20 mm)
Jeu de soupape d'admission	.004 - .006 in (,10 - ,15 mm)
Jeu de soupape d'échappement	.007 - .009 in (,18 - ,23 mm)

La puissance du moteur diminuera de 3,5 % à chaque palier d'altitude de 300 mètres (par rapport au niveau de la mer) et de 1 % tous les 5,6 °C à partir de 25 °C. Le moteur fonctionne de façon satisfaisante à un angle allant jusqu'à 15°. Voir les limites acceptables des pentes dans le manuel de fonctionnement de l'équipement.

Pièces de rechange - Modèle : 540000, 610000, 61E100	
Pièce de rechange	Référence de pièce
Filtre à air cyclonique (Figure 12)	841497
Filtre de sécurité cyclonique (Figure 12)	821136
Filtre à air, surbaissé (Figure 13)	692519
Préfiltre, surbaissé (Figure 13)	692520
Huile - SAE 30	100028
Filtre à huile	842921
Stabilisateur et agent de traitement de carburant à formule avancée	100117, 100120
Filtre à carburant	691035
Bougie à résistance	491055
Bougie en platine longue durée	5066
Clé à bougie	19374
Contrôleur	19368

Nous vous recommandons de confier à un Réparateur Briggs & Stratton agréé tout l'entretien de votre moteur et de ses pièces.

**Puissances nominales** : La puissance brute de chaque modèle de moteur à essence est indiquée conformément au Code J1940 (procédure de calcul de la puissance et du couple

des petits moteurs) de la norme SAE (Society of Automotive Engineers), et elle a été obtenue conformément à la norme SAE J1995. Les valeurs de couple sont calculées à 2 600 tr/min pour les moteurs dont l'étiquette porte la mention « RPM » et à 3 060 tr/min pour tous les autres. Les valeurs en CV sont dérivées à 3 600 tr/min. Les courbes de puissance brute peuvent être consultées sur le site [www.BRIGGSandSTRATTON.COM](http://www.BRIGGSandSTRATTON.COM). Les valeurs données pour la puissance nette sont mesurées avec l'échappement ou le filtre à air installé tandis que les valeurs données pour la puissance brute sont recueillies sans ces accessoires. La puissance brute réelle du moteur sera plus élevée que la puissance nette du moteur et est affectée, entre autres, par les conditions atmosphériques de fonctionnement et les variations d'un moteur à l'autre. Compte tenu de la grande variété de machines sur lesquelles nos moteurs sont utilisés, il se peut que le moteur à essence ne développe pas la puissance nominale brute une fois qu'il est monté sur une machine particulière. Cette différence s'explique par un grand nombre de facteurs, y compris, sans toutefois s'y limiter, la diversité des composants du moteur (filtre à air, échappement, admission, refroidissement, carburateur, pompe à essence, etc.), limites d'utilisation, conditions ambiantes d'utilisation (température, humidité, altitude) et variations d'un moteur à l'autre. Pour des raisons de fabrication et de capacité limitées, Briggs & Stratton est susceptible de remplacer ce modèle par un moteur plus puissant.

## Garantie

### Garantie sur le moteur Briggs & Stratton

En vigueur à partir de janvier 2017

#### Garantie limitée

Briggs & Stratton garantit la réparation ou le remplacement gratuit, pendant la période de garantie spécifiée ci-dessous, de toute pièce présentant des défauts matériels ou de fabrication. Les frais de transport du produit à réparer ou remplacer seront, dans le cadre de cette garantie, à la charge de l'acheteur. Cette garantie court sur les périodes énoncées ci-dessous et est assujettie aux conditions énoncées ci-dessous. Pour le service de garantie, vous trouverez le centre de réparations agréé le plus proche dans notre carte des points de vente à l'adresse [BRIGGSandSTRATTON.COM](http://BRIGGSandSTRATTON.COM). L'acheteur doit contacter le distributeur agréé puis lui confier le produit à des fins d'inspection et de test.

**Il n'existe aucune autre garantie expresse. Les garanties implicites, y compris celles de qualité marchande et d'adéquation à un usage particulier sont limitées à la période de garantie indiquée ci-dessous, ou dans la mesure permise par la loi.** Les responsabilités relatives aux dommages consécutifs ou indirects sont exclues dès lors que cette exclusion est autorisée par la loi. Certains États ou pays ne permettent pas les limitations de durée de la garantie implicite. Certains États ou pays n'autorisent pas l'exclusion ou la limitation des dommages consécutifs ou indirects. Dans ce cas, l'exclusion et la limitation ci-dessus ne s'appliquent pas à votre cas. La présente garantie vous accorde certains droits légaux spécifiques et vous pourriez également en avoir d'autres, lesquels peuvent varier d'un État ou d'une province à l'autre et d'un pays à l'autre <sup>4</sup>.

#### Conditions standards de la garantie 1, 2, 3

Marque / Type de produit	Utilisation par le consommateur	Usage professionnel
Vanguard™ ; série commerciale	36 mois	36 mois
Moteurs à chemise en fonte à alésage Dura-Bore™	24 mois	12 mois
Tous les autres moteurs	24 mois	3 mois

<sup>1</sup> Ce sont nos conditions standards de garantie, mais il peut y avoir, de temps à autre, une garantie supplémentaire qui n'a pas été définie à la date de la publication. Pour connaître les modalités actuelles de garantie s'appliquant à votre moteur, visitez le site [www.BRIGGSandSTRATTON.com](http://www.BRIGGSandSTRATTON.com) ou contactez votre revendeur Briggs & Stratton agréé.

<sup>2</sup> Il n'y a aucune garantie sur les moteurs utilisés pour l'alimentation de base à la place des services publics ou des générateurs de secours utilisés à des fins commerciales. Les moteurs utilisés en course automobile ou avec un but d'exploitation commerciale ou de location ne sont pas garantis.

<sup>3</sup> Vanguard installé sur des générateurs de secours : 24 mois en usage privé, aucune garantie pour une utilisation commerciale. Vanguard installé sur des véhicules utilitaires : 24 mois en usage privé, 24 mois pour une utilisation commerciale. La série commerciale dont la date de fabrication est antérieure à juillet 2017, 24 mois en usage privé, 24 mois pour une utilisation commerciale.

<sup>4</sup> En Australie – Nos produits sont accompagnés de garanties qui ne peuvent être exclues en vertu de la loi australienne de protection du consommateur (Australian Consumer Law). Vous pouvez obtenir un remplacement ou un remboursement en cas de défaillance majeure ou en compensation de toute perte ou de tout dommage survenus dans le cadre des conditions raisonnablement prévisibles d'utilisation du produit. Vous pouvez également bénéficier de la réparation ou du remplacement des produits si la qualité de ces derniers n'est pas acceptable et si le défaut n'entraîne pas de défaillance majeure. Pour les réparations couvertes par la garantie, trouvez le réparateur agréé le plus proche de chez vous au moyen de la carte localisatrice de nos revendeurs sur le site [BRIGGSandSTRATTON.COM](http://BRIGGSandSTRATTON.COM), ou en composant le 1-300-274-447, ou en envoyant un courrier électronique à [salesenquires@briggsandstratton.com.au](mailto:salesenquires@briggsandstratton.com.au), ou en écrivant à Briggs & Stratton Australia Pty Ltd, 1 Moorebank Avenue, Moorebank, NSW, Australie, 2170.



La période de garantie débute à la date d'achat par le premier acheteur au détail ou par le premier utilisateur commercial final. L'utilisation en « usage privé » signifie que le produit sera utilisé par un consommateur au détail dans un but privé. L'« utilisation commerciale » indique toutes les autres utilisations possibles, y compris commerciales, créatrices de revenus ou locatives. Dès qu'un moteur a servi à des fins commerciales, il sera considéré comme un moteur pour une utilisation commerciale dans le cadre de la présente garantie.

**Conservez le reçu de votre achat. Si vous ne fournissez pas la preuve de la date d'achat initiale au moment de la demande du service de garantie, la date de fabrication du produit sera retenue pour déterminer la période de garantie. L'enregistrement du produit n'est pas nécessaire pour bénéficier de la garantie sur les produits Briggs & Stratton.**

#### **Au sujet de votre garantie**

Cette garantie limitée couvre le matériel relatif au moteur et/ou les problèmes de fabrication uniquement, et non le remplacement ou le remboursement de la machine sur lequel le moteur était installé. Les mises au point de routine, les réglages, les ajustements et l'usure normale ne sont pas couvertes par cette garantie. De même, la garantie ne s'applique pas si le moteur a été altéré ou modifié, ou si le numéro de série du moteur a été dégradé ou effacé. Cette garantie ne couvre pas les dommages du moteur ou les problèmes de performance dus à :

1. L'usage de pièces qui ne sont pas des pièces d'origine Briggs & Stratton ;
2. L'utilisation du moteur avec de l'huile en quantité insuffisante, contaminée ou d'un grade de lubrification inadéquat ;
3. L'usage de carburant contaminé ou éventé, d'essence contenant plus de 10 % d'éthanol ou de carburants de remplacement tels que le pétrole liquéfié ou le gaz naturel sur des moteurs non conçus/fabriqués par Briggs & Stratton pour de tels carburants ;
4. Les saletés qui pénètrent dans le moteur du fait d'un entretien inadéquat du filtre à air ou de son remontage ;
5. Heurter un objet avec le couteau d'une tondeuse à gazon rotative, des adaptateurs de lames desserrés ou mal montés, des turbines ou tout autre dispositif couplé à un vilebrequin, ou un serrage excessif de la courroie en V ;
6. Les pièces associées ou ensembles tels que les embrayages, les transmissions, les commandes du matériel, etc. qui ne sont pas fournis par Briggs & Stratton ;
7. Surchauffe provoquée par l'herbe coupée, les saletés et les débris, ou les nids de rongeurs qui obstruent ou bouchent les ailettes de refroidissement ou la zone du volant moteur ou par le fonctionnement du moteur sans une aération suffisante ;
8. Des vibrations excessives provoquées par un surrégime, un montage mal serré du moteur, des lames ou turbines desserrées ou mal équilibrées, ou un mauvais couplage des composants du matériel au vilebrequin ;
9. Un abus, un manque d'entretien courant, l'expédition, la manutention ou l'entreposage de l'équipement ou une mauvaise installation du moteur.

**Les services couverts par la garantie sont assurés par les distributeurs Briggs & Stratton agréés uniquement. Trouvez votre centre de services autorisé le plus proche en utilisant la carte localisatrice de nos revendeurs sur le site [BRIGGSandSTRATTON.COM](http://BRIGGSandSTRATTON.COM) ou en appelant le 1-800-233-3723 (aux États-Unis).**

80004537 (Rév. C)

Este manual contém informações de segurança para informá-lo sobre os perigos e riscos associados aos cortadores de grama, e como evitá-los. Também contém instruções para o uso e cuidados adequados do motor. A Briggs & Stratton Corporation não sabe necessariamente em qual equipamento este motor será utilizado. Por essa razão, é importante que você leia e compreenda essas instruções também as instruções do equipamento. **Guarde estas instruções originais para referência futura.**

**Nota:** As figuras e ilustrações deste manual são fornecidas apenas para fins de referência e podem ser diferentes do seu modelo específico. Contate seu representante se tiver perguntas.

Para solicitar peças de reposição ou assistência técnica, registre abaixo o modelo do motor, o tipo e os números de código, juntamente com a data de compra. Estes números localizam-se em seu motor (consulte a seção **Recursos e controles**).

<b>Data de compra</b>	
<b>Modelo do motor - Tipo - Identificação</b>	
<b>Número de Série da Unidade:</b>	

Procure o código de barras 2D localizado em alguns motores. Ao ser visualizado com um dispositivo habilitado para 2D, o código o direcionará para nosso site, no qual será possível obter informações de suporte para este produto. Será cobrada tarifa de dados. Alguns países talvez não tenham informações de suporte online disponível.



Símbolo	Significado	Símbolo	Significado
	Risco de incêndio		Risco de explosão
	Risco de choque		Risco de fumaças tóxicas
	Risco de superfície quente		Risco de ruídos: é recomendado usar de protetores auriculares para uso prolongado.
	Risco de objetos arremessados: use proteção para os olhos.		Risco de explosão
	Risco de úlcera causada pelo congelamento		Risco de contragolpe
	Risco de amputação: peças em movimento		Risco de substâncias químicas
	Risco de calor térmico		Corrosivo

## Informações de reciclagem

		Todas as embalagens, óleo usado e pilhas devem ser recicladas de acordo com as regulamentações governamentais aplicáveis.
--	--	---

## Segurança do Operador

### Símbolo de alerta de segurança e palavras de sinalização

O símbolo de alerta de segurança é usado para identificar informações de segurança sobre os riscos que podem resultar em ferimentos pessoais. Sinais com as palavras (PERIGO, ADVERTÊNCIA ou CUIDADO) são usadas com o símbolo de alerta para indicar a possibilidade de ferimentos graves. Além disso, um símbolo de perigo pode ser usado para representar o tipo de perigo.

**PERIGO** indica um perigo que, se não for evitado, **resultará em morte ou ferimentos graves.**

**ADVERTÊNCIA** indica um perigo que, se não for evitado, **pode resultar em morte ou ferimentos graves.**

**CUIDADO** indica um perigo que, se não for evitado, **pode resultar em ferimentos leves ou moderados.**

**AVISO** indica uma situação que **pode resultar em avarias no produto.**

### Símbolos de perigo e significados

Símbolo	Significado	Símbolo	Significado
	Informações de segurança relativas a perigos que poderão resultar em ferimentos pessoais.		Antes de fazer manutenção da unidade, conheça e entenda o manual de operação.

## Mensagens de segurança



### ADVERTÊNCIA

Certos componentes deste produto e acessórios contêm produtos químicos reconhecidos pelo Estado da Califórnia como causadores de câncer, deformações fetais ou outros danos reprodutivos. Lave as mãos depois de manusear.



### ADVERTÊNCIA

Os gases de exaustão do motor desde produto contêm produtos químicos reconhecidos pelo Estado da Califórnia como causadores de câncer, deformações fetais ou outros danos reprodutivos.



### ADVERTÊNCIA

Os motores Briggs & Stratton não foram projetados para serem usados alimentar: fun karts; go-karts; veículos para crianças, recreativos ou quadriciclos; motos; aerodeslizadores (hovercraft); produtos de aeronaves; ou veículos utilizados em eventos competitivos não previstos pela Briggs & Stratton. Para obter informações sobre produtos para corridas, consulte o site [www.briggsracing.com](http://www.briggsracing.com). Para o uso com quadriciclos utilitários e compostos, entre em contato com a Central de aplicação de motores da Briggs & Stratton ligando para 1-866-927-3349. A aplicação incorreta do motor pode resultar em ferimentos graves ou morte.



### ADVERTÊNCIA



**O combustível e seus vapores são extremamente inflamáveis e explosivos.**

**Fogo ou explosão podem causar queimaduras graves ou morte.**

#### Ao adicionar combustível

- Desligue o motor e deixe-o esfriar pelo menos 2 minutos antes de remover a tampa de combustível.
- Abasteça o tanque de combustível ao ar livre ou em área bem ventilada.
- Não encha demais o tanque de combustível. Para permitir a expansão do combustível, não encha acima da parte inferior do bocal do tanque de combustível.

- Mantenha a gasolina distante de fagulhas, chamas, luzes piloto, calor ou outras fontes de ignição.
- Verifique as linhas de combustível, tanque, tampa e encaixes frequentemente à procura de rachaduras ou vazamentos. Substitua, se necessário.
- Se houver derramamentos, aguarde até que evapore antes de acionar o motor.

#### Quando der partida no motor

- Assegure-se de que a vela de ignição, o silencioso, a tampa do combustível e o limpador de ar (se houver) estejam no lugar e seguros.
- Não ligue o motor com a vela de ignição removida.
- Se o motor afogar, ajuste o afogador (se houver) na posição OPEN/RUN (aberto/em funcionamento), coloque o acelerador (se houver) na posição FAST (rápido) e acione até o motor ligar.

#### Ao operar o equipamento

- Não incline o motor nem o equipamento num ângulo que possa provocar derramamento de combustível.
- Não afogue o carburador a fim de desligar o motor.
- Nunca dê partida ou movimento o motor com o conjunto do purificador de ar (caso montado) ou o filtro de ar (caso montado) removidos.

#### Ao trocar o óleo

- Se você drenar o óleo do tubo superior de enchimento de óleo, o tanque de combustível deverá estar vazio ou o combustível pode vazar, resultando em incêndio ou explosão.

#### Ao inclinar a unidade para manutenção

- Se for necessário inclinar a unidade para fazer a manutenção, o tanque de combustível deve estar vazio, caso contrário poderá haver vazamento, o que resultará em incêndio ou explosão.

#### Ao transportar o equipamento

- Transporte com o tanque de combustível VAZIO ou com a válvula de fechamento de combustível na posição FECHADA.

#### Quando armazenar combustível ou equipamento com combustível no tanque

- Guarde o motor longe de fornalhas, fogões, aquecedores de água ou outros aparelhos com chama piloto, ou outras fontes de ignição, pois estas podem inflamar os vapores de combustível.



**AVERTÊNCIA**

Acionar o motor produz faísca.

As faíscas poderão incendiar os gases inflamáveis que se encontram na área.

Isto pode resultar em explosão e incêndio.

- Se tiver conhecimento de algum vazamento de gás natural ou de petróleo liquefeito na área, não dê a partida do motor.
- Não utilize fluidos de acionamento pressurizados, porque os vapores são inflamáveis.



**AVERTÊNCIA**

**PERIGO DE GÁS TÓXICO.** O escapamento do motor contém monóxido de carbono, um gás venenoso capaz de matar em minutos. NÃO é possível enxergá-lo, cheirá-lo ou sentir o seu gosto. Mesmo se você não sentir o cheiro dos gases de escape, você ainda pode estar exposto ao gás monóxido de carbono. Se você começar a se sentir enjoado, com tonturas ou fraqueza durante a utilização deste produto, desligue-o e respire ar fresco **IMEDIATAMENTE**. Consulte um médico. Pode estar intoxicado por monóxido de carbono.

- Opere este produto APENAS em área externa, longe de janelas, portas e aberturas, para reduzir o risco de acúmulo de monóxido de carbono e da potencial tomada de espaços ocupados.
- Instale alarmes de monóxido de carbono operados por bateria ou alarmes de monóxido de carbono adaptados para encaixe, com back-up de bateria, de acordo com as instruções do fabricante. Alarmes de fumaça não detectam o gás monóxido de carbono.
- NÃO opere este produto dentro das casas, garagens, porões, espaços muito apertados, galpões ou outros espaços parcialmente fechados, mesmo se utilizar ventiladores ou abrir portas e janelas para ventilação. O monóxido de carbono pode se acumular rapidamente nesses espaços e pode permanecer por horas, mesmo após o desligamento do produto.

- SEMPRE coloque este produto a favor do vento e aponte o escapamento do motor para fora de espaços ocupados.



**AVERTÊNCIA**

A rápida retração da corda da partida (contragolpe) puxará a mão e o braço em direção ao motor mais rapidamente do que você a poderia soltar.

Isto pode resultar em ossos quebrados, fraturas, contusões ou distensões.

- Quando der a partida no motor, puxe a corda da partida lentamente até sentir resistência e então a puxe rapidamente para evitar o contragolpe.
- Retire todas as cargas sobre o motor/equipamento externo antes de dar a partida.
- Os componentes do equipamento diretamente conectados, como lâminas, impulsores, polias, dentes de roda, etc., devem estar seguramente fixados.



**AVERTÊNCIA**

As peças rotativas podem entrar em contato ou prender mãos, pés, cabelo, vestuário ou acessórios.

Isto pode resultar em amputação traumática ou grave laceração.

- Opere o equipamento com as proteções no devido lugar.
- Mantenha as mãos e os pés afastados das peças rotativas.
- Prenda o cabelo e retire as joias.
- Não use roupa solta, cordões pendentes ou itens que possam ficar presos.



**AVERTÊNCIA**

O funcionamento dos motores produz calor. As peças do motor, especialmente o abafador, tornam-se extremamente quentes.

O contato pode causar queimaduras graves.

Detritos combustíveis, como folhas, grama, gravetos, etc., podem pegar fogo.

- Espere o silencioso, o cilindro do motor e as aletas esfriarem antes de tocar.
- Remova resíduos acumulados da área do silencioso e do cilindro.
- É uma violação do Código de Recurso Público da Califórnia, Seção 4442, usar ou operar o motor em qualquer terra coberta por florestas, arbustos ou grama, a não ser que o sistema de exaustão esteja equipado com um fagulheiro, conforme definido na Seção 4442, mantido em perfeitas condições de funcionamento. Os outros estados ou jurisdições federais poderão ter leis similares. Entre em contato com o fabricante de equipamento original, varejista ou concessionário para obter um protetor de faísca projetado para o sistema de escapamento instalado neste motor.



**AVERTÊNCIA**

Faíscas não intencionais poderão resultar em incêndio ou choque elétrico.

A partida não intencional pode resultar em emaranhamento, amputação traumática ou laceração.

Risco de incêndio

Antes de realizar ajustes ou reparos:

- Desconecte o cabo da vela de ignição e mantenha-o afastado da vela de ignição.
- Desconecte o terminal negativo da bateria (somente nos motores com partida elétrica).
- Utilize apenas as ferramentas adequadas.
- Não altere o regulador do motor, as ligações ou outras peças para aumentar a velocidade do motor.
- Peças de reposição devem ser do mesmo design e instaladas na mesma posição que as peças originais. Outras peças podem não ter o mesmo desempenho, danificar a unidade e resultar em ferimentos pessoais.
- Não golpeie o volante do motor com um martelo ou objeto sólido, pois poderá quebrar mais tarde durante o funcionamento.

Ao testar a presença de ignição:

- Use um testador de vela de ignição aprovado.
- Não verifique a existência de ignição com a vela de ignição removida.

# Recursos e controles








## Controles do motor

Compare a ilustração (Figuras: 1, 2, 3, 4) com seu motor para familiarizar-se com o local de vários recursos e controles.

- A. Identificador do motor **Modelo - Tipo - Código**
- B. Vela de ignição
- C. Purificador de ar, ciclônico
- D. Purificador de ar, de perfil baixo
- E. Varetas de nível de óleo
- F. Bocal de abastecimento de óleo
- G. Filtro de óleo
- H. Bujão de drenagem de óleo
- I. Sensor de pressão do óleo
- J. Tela de proteção
- K. Partida elétrica
- L. Solenoide de partida
- M. Regulador/Retificador
- N. Carburador - Modelos de carburador
- O. Resfriador do óleo (se houver)
- P. Silencioso (se equipado)
- Q. Bomba de combustível
- R. Chave de partida <sup>1</sup>
- S. Controle do acelerador <sup>1</sup>
- T. Controle do afogador - Modelos de carburador <sup>1</sup>
- U. Filtro de combustível (se houver)

<sup>1</sup> Alguns motores e equipamentos contam com controle remoto. Consulte o manual do equipamento para a localização e operação dos controles remotos.

## Símbolos e significados do controle do motor

Símbolo	Significado	Símbolo	Significado
	Velocidade do motor - RÁPIDO		Velocidade do motor - LENTO
	Velocidade do motor - PARAR		LIGADO - DESLIGADO
	Partida do motor - Afogador FECHADO		Partida do motor - Afogador ABERTO
	Tampa de combustível Fechamento do combustível - ABERTO		Fechamento do combustível - FECHADO
	Nível do combustível - Máximo Não deixe transbordar		

# Operação

## Recomendações sobre o óleo

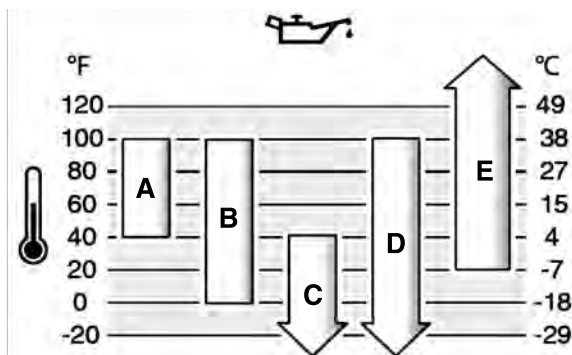
**Capacidade do óleo:** Veja a seção de *Especificações*.

### AVISO

O motor foi enviado da Briggs & Stratton sem óleo. Os fabricantes ou revendedores de equipamentos podem ter adicionado óleo ao motor. Antes de ligar o motor pela primeira vez, verifique o nível do óleo e adicione óleo de acordo com as instruções deste manual. Se o motor for acionado sem óleo, ele será danificado permanentemente e não estará coberto pela garantia.

Recomendamos o uso dos óleos com certificação de garantia Briggs & Stratton para um melhor desempenho. Outros óleos detergentes de alta qualidade são aceitáveis, caso estejam classificados para o serviço SF, SG, SH, SJ ou mais alto. Não use aditivos especiais.

As temperaturas ao ar livre determinam a viscosidade adequada do óleo para o motor. Use a tabela para selecionar a melhor viscosidade para a faixa de temperatura ao ar livre esperada. Motores na maioria dos equipamentos elétricos ao ar livre operam bem com óleo sintético 5W-30. Para equipamentos operados em altas temperaturas, o óleo sintético Vanguard™ 15W-50 oferece a melhor proteção.



A	<b>SAE 30</b> - O óleo SAE 30, quando utilizado a temperaturas inferiores a 4 °C (40 °F) provocará uma partida difícil do motor.
B	<b>10W-30</b> - A utilização do 10W-30 acima de 27 °C (80 °F) pode aumentar o consumo de óleo. Verifique o nível de óleo com mais frequência.
C	<b>5W-30</b>
D	<b>Sintético 5W-30</b>
E	<b>Sintético Vanguard™ 15W-50</b>

## Verificar o nível do óleo

Consulte a Figura: 5

### Antes de adicionar ou verificar o óleo

- Verifique se o motor está nivelado.
- Limpe a área de abastecimento de óleo de qualquer resíduo.

1. Remova a vareta (A, Figura 5) e passe um pano limpo.
2. Instale completamente a vareta (A, Figura 5).
3. Remova a vareta e verifique o nível do óleo. O nível de óleo correto está na parte superior do indicador de cheio (B, Figura 5) na vareta.
4. Se o nível estiver baixo, adicione óleo lentamente dentro do bocal de abastecimento de óleo do motor (C, Figura 5). **Não deixe transbordar.** Depois de colocar óleo, aguarde um minuto e depois verifique o nível de óleo.
5. Instale completamente a vareta (A, Figura 5).

## Sistema de proteção contra baixo nível de óleo (se equipado)

Alguns motores são equipados com um sensor para baixo nível de óleo. Se o nível do óleo está baixo, o sensor acenderá uma luz de advertência ou desligará o motor. Desligue o motor e siga essas etapas antes de ligá-lo novamente.

- Verifique se o motor está nivelado.
- Verifique o nível de óleo Consulte a seção *Verificar nível de óleo*.

- Se o nível estiver baixo, adicione a quantidade adequada de óleo. Ligue o motor e verifique se a luz de advertência (se equipado) está acesa.
- Se o nível do óleo não estiver baixo, não ligue o motor. Entre em contato com o Centro de Serviço Autorizado Briggs & Stratton para que o problema com o óleo seja corrigido.

## Recomendações de combustível

O combustível deve atender a estes requisitos:

- Gasolina limpa, fresca e sem chumbo.
- Gasolina de octanagem 87 no mínimo/87 AKI (91 RON). Uso em alta altitude, consulte adiante.
- Gasolina com até 10% de etanol (álcool combustível) é aceitável.

**AVISO** IMPORTANTE Não use gasolinas não aprovadas, como E15 e E85. Não misture óleo à gasolina ou modifique o motor para funcionar com combustíveis alternativos. O uso de combustíveis não apropriados causará dano aos componentes do motor, que não estarão cobertos pela garantia.

Para proteger o sistema de combustível contra a formação de goma, adicione um estabilizador de combustível à gasolina. Consulte **Armazenagem**. Os combustíveis não são todos iguais. Se ocorrerem problemas de partida ou de desempenho, troque de fornecedor de combustível ou de marca. Este motor está certificado para funcionar com gasolina. O sistema de controle de emissão deste motor é EM (Engine Modifications - Modificações de Motor).

### Alta altitude

A altitudes acima de 1524 metros (5.000 pés), é aceitável uma gasolina de no mínimo 85 octanas/85 AKI (89 RON)

Em motores carburados, é necessário um ajuste para alta altitude, para manter o desempenho. A operação sem esse ajuste causará redução no desempenho, aumento no consumo de combustível e emissões. Entre em contato com um Revendedor Autorizado de Serviço Briggs & Stratton para informações de ajuste de alta altitude. Não é recomendável que o motor opere a altitudes abaixo de 762 metros (2.500 pés) com ajuste para alta altitude.

Para motores com Injeção eletrônica de combustível (EFI), o ajuste para alta altitude não é necessário.

## Adicionar combustível

Consulte a Figura 6



O combustível e seus vapores são extremamente inflamáveis e explosivos.

O fogo ou uma explosão poderá provocar graves queimaduras ou morte.

Quando acrescentar combustível

- Desligue o motor e deixe-o esfriar pelo menos 2 minutos antes de retirar o tampão do tanque de combustível.
  - Encha o tanque de combustível em uma área externa ou bem ventilada.
  - Não encha demais o tanque de combustível. Para permitir a expansão do combustível, não encha acima da parte inferior do gargalo do tanque de combustível.
  - Mantenha a gasolina distante de fagulhas, chamas vivas, luzes piloto, calor ou outras fontes de ignição.
  - Verifique as linhas de combustível, tanque, tampa e encaixes frequentemente à procura de rachaduras ou vazamentos. Substitua, se necessário.
  - Se houver derrame de combustível, aguarde até que evapore antes de acionar o motor.
1. Limpe a área do tampão do tanque de combustível para remover resíduos e sujeira. Remova a tampa do tanque de combustível.
  2. Abasteça o tanque de combustível (A, Figura 6) com combustível. Para permitir a expansão do combustível, não encha acima da parte inferior do gargalo do tanque de combustível (B).
  3. Instale novamente o tampão do tanque de combustível.

## Dar partida e parar o motor

Consulte a Figura: 7

## Dar partida no motor



O combustível e seus vapores são extremamente inflamáveis e explosivos.

O fogo ou uma explosão poderá provocar graves queimaduras ou morte.

Quando der partida no motor

- Certifique-se de que a vela de ignição, o silencioso, o tampão de combustível e o filtro de ar (caso montado) estejam em seus lugares e seguros.
- Não ligue o motor com a vela de ignição removida.
- Se o motor afogar, coloque o afogador (se equipado) na posição OPEN/RUN (aberto/funcionando), mova o acelerador (se equipado) para a posição FAST (rápido) e acione até ligar o motor.



**PERIGO DE GÁS TÓXICO.** O escapamento do motor contém monóxido de carbono, um gás venenoso capaz de matar em minutos. NÃO é possível enxergá-lo, cheirá-lo nem sentir-lhe o gosto. Mesmo se você não sentir o cheiro dos gases de escape, você ainda pode estar exposto ao gás monóxido de carbono. Se você começar a sentir-se enjoado, com tonturas ou fraqueza durante a utilização deste produto, desligue-o e respire ar fresco IMEDIATAMENTE. Consulte um médico. Você pode estar intoxicado por monóxido de carbono.

- Opere este produto APENAS em locais abertos longe de janelas, portas e aberturas para reduzir o risco do monóxido de carbono de acumular e, potencialmente, ser atraído para espaços ocupados.
- Instale alarmes de monóxido de carbono que funcionam à pilha ou conecte alarmes de monóxido de carbono com pilhas de reserva de acordo com as instruções do fabricante. Os alarmes de fumaça não conseguem detectar o gás monóxido de carbono.
- NÃO opere este produto dentro das casas, garagens, porões, espaços muito apertados, galpões ou outros espaços parcialmente fechados, mesmo se utilizar ventiladores ou abrir portas e janelas para ventilação. O monóxido de carbono pode se acumular rapidamente nesses espaços e pode permanecer por horas, mesmo após o desligamento do produto.
- SEMPRE coloque o produto a favor do vento e aponte o escape do motor para longe de espaços ocupados.

**AVISO** Este motor foi enviado da Briggs & Stratton sem óleo. Antes de ligar o motor, certifique-se de adicionar óleo de acordo com as instruções deste manual. Se o motor for acionado sem óleo, ele será danificado permanentemente e não será coberto pela garantia.

Determine o sistema de partida

Antes de dar partida no motor, é preciso determinar o tipo de sistema de partida que o seu motor possui. O motor pode ter um dos seguintes tipos.

- **Sistema de injeção eletrônica de combustível (EFI):** Ele possui uma injeção eletrônica de combustível. Não tem um afogador ou um escorvador.
- **Sistema de afogador:** Há um afogador para ser usado para dar partida em temperaturas frias. Alguns modelos têm um controle de afogador separado enquanto outros têm uma combinação de controles de afogador e acelerador. Esse tipo não possui um escorvador.

**Nota:** O equipamento poderá ter controles remotos. Consulte o manual do equipamento para a localização e operação dos controles remotos.

### Sistema de injeção eletrônica de combustível (EFI)

1. Verifique o óleo do motor. Consulte a seção **Verificar nível de óleo**.
2. Certifique-se de que os controles de acionamento do equipamento, caso existam, estejam desconectados.
3. Mova a válvula de fechamento de combustível (A, Figura 7), se houver, para a posição ABERTO.
4. Mova o controle do acelerador (B, Figura 7), se houver, para a posição RÁPIDO. Opere o motor com a alavanca de controle de aceleração na posição RÁPIDO.
5. Pressione o interruptor de parada (D, Figura 7), se houver, para a posição LIGADO.
6. Gire a chave de partida elétrica (E, Figura 7) para a posição LIGADO ou PARTIDA.

**AVISO** Para prolongar a vida útil da ignição, use ciclos de partida curtos (máximo de cinco segundos). Aguarde um minuto entre os ciclos de partida.

**Nota:** Se o motor não der partida após diversas tentativas, entre em contato com o vendedor local ou visite o **VanguardEngines.com** ou ligue para o **1-800-999-9333** (nos EUA).



## Sistema de afogador

1. Verifique o óleo do motor. Consulte a seção **Verificar nível de óleo**.
2. Certifique-se de que os controles de acionamento do equipamento, caso existam, estejam desconectados.
3. Mova a válvula de fechamento de combustível (A, Figura 7), se houver, para a posição ABERTO.
4. Mova o controle do acelerador (B, Figura 7), se houver, para a posição RÁPIDO. Opere o motor com a alavanca de controle de aceleração na posição RÁPIDO.
5. Mova o controle do afogador (C, Figura 7), ou a combinação de afogador e acelerador, para a posição FECHADO.

**Nota:** Para iniciar o motor com um sistema de combustível a frio (iniciando pela primeira vez ou após ficar sem combustível), será necessário um tempo prolongado na posição afogar. Assim a bomba de combustível terá tempo para fazer o sistema de combustível funcionar.

6. Pressione o interruptor de parada (D, Figura 7), se houver, para a posição LIGADO.
7. Gire o interruptor de ignição (E, Figura 7) para a posição LIGADO ou PARTIDA.
8. Se o motor pegar, mas não conseguir manter o funcionamento, mova o controle do afogador (C, Figura 7) para a posição ABERTO para dar partida no motor.

**AVISO** Para prolongar a vida útil da ignição, use ciclos de partida curtos (máximo de cinco segundos). Aguarde um minuto entre os ciclos de partida.

9. Enquanto o motor aquece, mova o controle do afogador (C, Figura 7) para a posição ABERTO.

**Nota:** Se o motor não der partida após diversas tentativas, entre em contato com o vendedor local ou visite o [VanguardEngines.com](http://VanguardEngines.com) ou ligue para o **1-800-999-9333** (nos EUA).

## Parar o motor



**O combustível e seus vapores são extremamente inflamáveis e explosivos.**

**O fogo ou uma explosão poderá provocar graves queimaduras ou morte.**

- Não afogue o carburador para parar o motor.
1. **Interruptor de parada, se houver:** Mova o interruptor de paragem (D, Figura 7) para a posição DESLIGADO.  
**Interruptor de parada, quando assim equipado:** Com o controle do afogador na posição LENTA, gire o interruptor de ignição (E, Figura 7) para a posição DESLIGADO. Retire a chave e mantenha-a em um local seguro, fora do alcance de crianças.
  2. Quando o motor parar, coloque a válvula de fechamento de combustível (A, Figura 7), se houver, na posição FECHADO.

## Manutenção

**AVISO** Se o motor for inclinado durante a manutenção, o tanque de combustível, se estiver montado no motor, deverá ser esvaziado e o lado da vela deverá permanecer para cima. Se o tanque de combustível não estiver vazio e se o motor for inclinado em qualquer outra direção, poderá ser difícil ligar o motor devido à contaminação do filtro de ar e/ou da vela com óleo ou gasolina.



Se for necessário inclinar a unidade para fazer a manutenção, o tanque de combustível deve estar vazio, caso contrário poderá haver vazamento, o que resultará em incêndio ou explosão.

Recomendamos que você consulte um Centro Autorizado Briggs & Stratton para qualquer manutenção e serviço em motores e em suas peças.

**AVISO** Todos os componentes usados para construir esse motor devem permanecer no mesmo local operar corretamente.



**A liberação não intencional de faísca poderá resultar em incêndio ou choque elétrico.**

**A partida não intencional poderá resultar em emaranhamento, amputação traumática ou laceração.**

**Risco de incêndio**

**Antes de realizar ajustes ou reparos:**

- Desconecte o cabo da vela de ignição e mantenha-o afastado da vela de ignição.
- Desligue a bateria, no terminal negativo (apenas motores com partida elétrica).
- Use somente as ferramentas corretas.
- NÃO mexa nas molas, conexões ou outras peças para aumentar a velocidade do motor.
- Peças de reposição deverão ser do mesmo design e instaladas na mesma posição que as peças originais. Outras peças podem não ter o mesmo desempenho, danificar a unidade e resultar em ferimentos pessoais.
- Não golpeie o volante do motor com um martelo ou objeto sólido, pois poderá quebrar mais tarde durante o funcionamento.

**Quando fizer teste de faíscas:**

- Use um testador de vela de ignição aprovado.
- Não teste a existência de faíscas com a vela de ignição removida.

## Serviço de controle de emissões

**A manutenção, substituição e o reparo de dispositivos e sistemas de controle de emissão podem ser realizados por qualquer estabelecimento ou técnico de reparo de motores off-road (que não circulam em vias públicas).** Entretanto, para obter serviço de controle de emissão "sem custos adicionais", o trabalho deve ser realizado por um centro autorizado da fábrica. Consulte as Declarações de controle de emissões

## Cronograma de manutenção

<b>A cada 8 horas ou diariamente</b>
<ul style="list-style-type: none"><li>• Verificar o nível do óleo do motor</li><li>• Limpar a área em torno do silencioso e dos controles</li></ul>
<b>A cada 100 horas ou anualmente</b>
<ul style="list-style-type: none"><li>• Substituir as velas de ignição</li><li>• Trocar o óleo do motor</li><li>• Substituir o filtro de óleo (se houver)</li><li>• Fazer manutenção no filtro de ar <sup>1, 2</sup></li><li>• Limpar o pré-purificador (se houver) <sup>1</sup></li><li>• Fazer manutenção do sistema de escapamento</li></ul>
<b>A cada 250 horas</b>
<ul style="list-style-type: none"><li>• Verificar a folga da válvula. Ajustar, se necessário.</li></ul>
<b>A cada 400 horas ou anualmente</b>
<ul style="list-style-type: none"><li>• Substituir o filtro de ar <sup>2</sup></li><li>• Substituir o filtro do combustível</li><li>• Fazer manutenção do sistema de arrefecimento do motor <sup>1</sup></li><li>• Limpar as aletas do arrefecimento do ar <sup>1</sup></li></ul>
<b>A cada 600 horas ou anualmente</b>
<ul style="list-style-type: none"><li>• Substituir o filtro de segurança (se houver)</li></ul>

<sup>1</sup> Em locais de muita poeira ou quando partículas trazidas pelo ar estão presentes, limpe com maior frequência.

<sup>2</sup> A cada terceira troca de filtro, substitua o filtro de segurança interno (se houver).

## Sistema de injeção eletrônica de combustível (EFI)

O Sistema de injeção de combustível (EFI) monitora a temperatura, e a velocidade do motor, bem como a tensão da bateria durante a partida e o aquecimento do motor. Não existem regulagens no sistema. Caso ocorram problemas de partida ou funcionamento, entre em contato com um Centro de Serviço Autorizado Briggs & Stratton.

**AVISO** Certifique-se de seguir os passos abaixo ou o Sistema de injeção eletrônica de combustível (EFI) poderia ser danificado.

- Nunca dê partida no motor se os cabos da bateria estiverem soltos.
- Gire a chave para a posição DESLIGADO antes de desconectar, removendo e/ou instalando a bateria.
- Nunca use um carregador de baterias para dar partida no motor.
- Nunca desconecte os cabos da bateria enquanto o motor estiver em funcionamento.
- Ao conectar os cabos da bateria, primeiro conecte o cabo positivo (+) e, em seguida, o cabo negativo (-) à bateria.
- Ao carregar a bateria, gire a chave de ignição para a posição DESLIGADO e desconecte o cabo negativo (-) da bateria.
- Não limpe o módulo de controle eletrônico diretamente com um jato de água.

## Carburador e ajuste de rotação do motor

Jamais faça ajustes no carburador ou na velocidade do motor. O carburador foi ajustado na fábrica para operar de forma eficiente na maioria das condições. Não adultere o motor com mola de regulação, articulação ou outras peças para alterar a velocidade. Se forem necessários ajustes, entre em contato com um Centro Autorizado Briggs & Stratton para uma revisão.

**AVISO** O fabricante do equipamento especifica a velocidade máxima do motor enquanto instalado no equipamento. **Não exceda** essa velocidade. Se você não tiver certeza sobre a velocidade máxima do equipamento ou a velocidade do motor ajustada de fábrica, entre em contato com um Centro Autorizado Briggs & Stratton para obter assistência. Para uma operação segura e adequada do equipamento, a velocidade do motor deve ser ajustada apenas por um técnico qualificado.

## Ajustar a vela de ignição

Consulte a Figura 8

Verifique a folga (A, Figura 8) com um calibrador de fio (B). Se necessário, reajuste a folga. Instale e aperte a vela de ignição com o torque recomendado. Para obter o ajuste ou o torque, consulte a seção **Especificações**.

*Nota:* \*Em algumas áreas, a legislação local exige a utilização de uma vela de ignição com resistência interna (resistor) para suprimir os sinais de ignição. Se este motor for originalmente equipado com uma vela de ignição resistiva, use o mesmo tipo para substituição.

## Manutenção do sistema de escapamento



**ADVERTÊNCIA**

O funcionamento dos motores produz calor. As peças do motor, especialmente o abafador, tornam-se extremamente quentes.

Poderão ocorrer graves queimaduras térmicas com o contato.

Os resíduos combustíveis, tais como folhas, grama, galhos, etc. poderão incendiar-se.

- Espere o abafador, o cilindro do motor e as aletas esfriarem antes de tocar.
- Remova resíduos acumulados da área do silencioso e do cilindro.
- É uma violação da Seção 4442 do Código de Recursos da Califórnia, utilizar ou operar o motor em solo não-cultivado, coberto por mata a menos que o sistema de exaustão possua um retentor de faíscas, como definido na Seção 4442, mantido em perfeitas condições de utilização. Outros Estados ou jurisdições federais podem estar sujeitos a legislações semelhantes. Contate o fabricante de equipamento original, varejista ou concessionário para obter um protetor de faísca projetado para o sistema de escapamento instalado neste motor.

Remova resíduos acumulados da área do silencioso e do cilindro. Inspeção o silenciador em busca de rachaduras, corrosão ou outros danos. Remova o protetor de faísca, se equipado, e inspecione-o para ver se há danos ou entupimento por carbonização. Se algum dano for encontrado, instale as peças de substituição antes da utilização.



**ADVERTÊNCIA**

Peças de reposição deverão ser do mesmo design e instaladas na mesma posição que as peças originais. Outras peças podem não ter o mesmo desempenho, danificar a unidade e resultar em ferimentos pessoais.

## Trocar o óleo do motor

Consulte a Figura: 9, 10, 11

Óleo usado é um produto descartável de risco e deve ser disposto adequadamente. Não descarte junto com o lixo doméstico. Verifique se há um local para reciclagem/descarte seguro junto às autoridades locais, centro de serviço ou revendedor.

### Remoção de óleo

1. Com o motor desligado mas ainda quente, desconecte o(s) cabo(s) da(s) vela(s) (D, Figura 9) e mantenha-o afastado da(s) vela(s) de ignição (E).
2. Retire a vareta (A, Figura 10).
3. Remova o bujão de drenagem de óleo (F, Figura 11). Drene o óleo para um recipiente aprovado.
4. Após a drenagem de todo o óleo, recoloque e aperte o bujão de drenagem de óleo (F, Figura 11).

### Trocar o filtro de óleo, se equipado

Alguns modelos são equipados com um filtro de óleo. Para obter informações sobre os intervalos de troca, consulte o **Cronograma de manutenção**.

1. Drene o óleo do motor. Consulte a seção **Remoção de óleo**.
2. Remova o filtro de óleo (G, Figura 11) e descarte de forma adequada.
3. Antes de instalar o novo filtro de óleo, lubrifique levemente a vedação do filtro de com óleo limpo e novo.
4. Instale o filtro de óleo manualmente e até que a vedação esteja em contato com o adaptador do filtro de óleo, em seguida, aperte o filtro de óleo com 1/2 volta a 3/4 de volta.
5. Adicione óleo. Consulte a seção **Adição de óleo**.
6. Dê partida no motor. Enquanto o motor é aquecido, verifique se há vazamento de óleo.
7. Pare o motor e verifique o nível de óleo. O nível de óleo correto está na parte superior do indicador de cheio (B, Figura 10) na vareta.

### Adição de óleo

- Verifique se o motor está nivelado.
- Limpe a área de abastecimento de óleo de qualquer resíduo.
- Consulte a seção **Especificações** para obter informações sobre a capacidade de óleo.

1. Remova a vareta (A, Figura 10) e passe um pano limpo.
2. Despeje o óleo lentamente no bocal de enchimento de óleo do motor (C, Figura 10). **Não deixe transbordar.** Depois de acrescentar óleo, aguarde um minuto e, em seguida, verifique o nível de óleo.
3. Instale e aperte a vareta (A, Figura 10).
4. Remova a vareta e verifique o nível do óleo. O nível de óleo correto está na parte superior do indicador de cheio (B, Figura 10) na vareta.
5. Recoloque e aperte a vareta (A, Figura 10).
6. Conecte o(s) cabo(s) da(s) vela(s) de ignição (D, Figura 9) na(s) vela(s) de ignição (E).

## Manutenção do filtro de ar

Consulte a Figura: 12, 13



**ADVERTÊNCIA**

O combustível e seus vapores são extremamente inflamáveis e explosivos.

O fogo ou uma explosão poderá provocar graves queimaduras ou morte.

- Nunca dê partida ou movimento o motor com o conjunto do purificador de ar (caso montado) ou o filtro de ar (caso montado) removidos.

**AVISO** Não use ar comprimido ou solventes para limpar o filtro. O ar comprimido pode danificar o filtro e os solventes dissolverão o filtro.

Consulte o **Cronograma de manutenção** para conhecer as exigências de manutenção.

Diversos modelos utilizam um filtro plano. Alguns modelos também são equipados com um pré-purificador que pode ser lavado e reutilizado. Compare as ilustrações deste manual

com o tipo instalado em seu motor e faça a manutenção de acordo com as instruções a seguir.

## Filtro de ar plano

1. Abra o(s) fixador(es) (A, Figura 12) e remova a tampa (B).
2. Remova o filtro de ar (C, Figura 12).
3. Para soltar os resíduos, bata suavemente o filtro de ar em uma superfície rígida. Se o filtro de ar estiver excessivamente sujo, substitua-o por um novo.
4. Para remover o filtro de segurança (D, Figura 12), se houver, retire-o cuidadosamente do corpo do purificador de ar (E). Certifique-se de que não haja entrada de sujeira ou poeira no motor.
5. Instale o novo filtro de segurança (D, Figura 12) no corpo do purificador de ar (E).
6. Instale o filtro de ar (C, Figura 12) sobre o filtro de segurança (D).
7. Instale a tampa (B, Figura 12) e feche os fixador(es) (A).

## Filtro de ar plano

1. Retire o(s) fixador(es) (A, Figura 13).
2. Retire a tampa (B, Figura 13).
3. Remova os fixadores (C, Figura 13) e o retentor (D).
4. Remova o filtro de ar (E, Figura 13).
5. Remova o pré-purificador (F, Figura 13), se houver, do filtro de ar (E).
6. Para soltar os resíduos, bata levemente o filtro de ar (E, Figura 13) sobre uma superfície dura. Se o filtro de ar estiver excessivamente sujo, substitua-o por um novo.
7. Lave o pré-purificador (F, Figura 13), se houver, com detergente líquido e água. Deixe o pré-purificador secar por completo naturalmente. **Não** coloque óleo no pré-purificador.
8. Instale o pré-purificador seco (F, Figura 13), se houver, no filtro de ar (E).
9. Instale o filtro de ar (E, Figura 13) e prenda com um retentor (D) e fixador(es) (C).
10. Instale a tampa (B, Figura 13) e prenda com o(s) fixador(es) (A). Certifique-se de que o(s) fixador(es) esteja(m) bem preso(s).

## Manutenção do sistema de combustível

Consultar a figura: 14



**O combustível e seus vapores são extremamente inflamáveis e explosivos.**

**Fogo ou explosão pode causar queimaduras graves ou morte.**

- Mantenha o combustível distante de fagulhas, chamas, luzes piloto, calor ou outras fontes de ignição.
- Verifique as linhas de combustível, tanque, tampa e encaixes frequentemente à procura de rachaduras ou vazamentos. Substitua, se necessário.
- Antes de limpar ou trocar o filtro de combustível, drene o tanque de combustível ou feche a válvula de fechamento de combustível.
- Se houver derramamentos de combustível, aguarde até que evapore antes de acionar o motor.
- As peças de reposição deverão ser iguais e instaladas na mesma posição que as peças originais.

## Filtro de combustível, quando assim equipado

1. Antes de trocar o filtro de combustível (A, Figura 14), quando assim equipado, drene o tanque de combustível ou feche a válvula de fechamento de combustível. Caso contrário, o combustível pode vazar e causar um incêndio ou explosão.
2. Use pinças para apertar as linguetas (B, Figura 14) nos grampos (C), depois deslize os grampos do filtro de combustível (A). Gire e puxe a tubulação de combustível (D) para fora do filtro.
3. Verifique na tubulação de combustível (D, Figura 14) se há rachaduras ou vazamentos. Substitua, se necessário.
4. Substitua o filtro de combustível (A, Figura 14) com um filtro de reposição original.
5. Prenda a tubulação de combustível (D, Figura 14) com grampos (C) conforme mostrado.

## Sistema de arrefecimento do motor

Consulte a Figura: 15, 16



**O funcionamento dos motores produz calor. As peças do motor, especialmente o abafador, tornam-se extremamente quentes.**

**Poderão ocorrer graves queimaduras térmicas com o contato.**

**Os resíduos combustíveis, tais como folhas, grama, galhos, etc. poderão incendiar-se.**

- Espere o abafador, o cilindro do motor e as aletas esfriarem antes de tocar.
- Remova resíduos acumulados da área do silencioso e do cilindro.

**AVISO** Não use água para limpar o motor. A água pode contaminar o sistema de combustível. Utilize uma escova ou pano seco para limpar o motor.

Este é um motor com refrigeração a ar. Sujeira ou poeira podem restringir o fluxo de ar e fazer com que o motor fique superaquecido, resultando em redução no desempenho e menor vida útil do motor.

1. Use uma escova ou pano seco para remover resíduos da área de admissão de ar (A, Figura 15).
2. Mantenha as ligações, as molas e os controles (B, Figura 15, 16) limpos.
3. Mantenha a área em torno e atrás do silencioso (C, Figura 15, 16) livre de resíduos de combustível.
4. Certifique-se de que as aletas do resfriador de óleo (D, Figura 15) estejam livres de sujeira e resíduos.
5. Solte o(s) fixador(es) (E, Figura 16) até ouvir um clique. Retire o painel (F) e limpe qualquer tipo de sujeira ou resíduos da área. Certifique-se de que a parte inferior do painel também esteja limpa.
6. Instale o painel (F, Figura 16) e aperte com o(s) fixador(es) (E). Aperte o(s) fixador(es) até ouvir um clique.

Depois de um período de tempo, pode haver acúmulo de resíduos nas aletas de resfriamento do cilindro e fazer com que o motor fique superaquecido. Esse resíduo não pode ser removido sem uma desmontagem parcial do motor. Solicite que um Centro Autorizado da Briggs & Stratton inspecione e limpe o sistema de refrigeração de ar conforme recomendado no **Gráfico de Manutenção**.

## Armazenamento



**O combustível e seus vapores são extremamente inflamáveis e explosivos.**

**Fogo ou explosão podem causar queimaduras graves ou morte.**

**Quando armazenar combustível ou equipamento com combustível no tanque**

- Guarde o motor longe de fomalhas, fogões, aquecedores de água ou outros aparelhos com chama piloto, ou outras fontes de ignição, pois estas podem inflamar os vapores de combustível.

## Sistema de combustível

Consultar a figura: 17

Armazene o motor nivelado (posição normal de operação). Encha o tanque de combustível (A, Figura 17) com combustível. Para permitir a expansão do combustível, não encha acima do bocal do tanque de combustível (B).

O combustível pode estragar quando armazenado por mais de 30 dias. O combustível estragado provoca a formação de depósitos de ácido e goma no sistema de combustível ou nas partes essenciais do carburador. Para manter o combustível em boas condições, use a **Fórmula avançada de tratamento e estabilizador de combustível da Briggs & Stratton**, disponível onde as peças genuínas de serviços da Briggs & Stratton são vendidas.

Não há necessidade de drenar a gasolina do motor se um estabilizador de combustível for adicionado de acordo com as instruções. Deixe o motor funcionar por dois (2) minutos para circular o estabilizador em todo o sistema de combustível antes do armazenamento.

Se a gasolina no motor não for tratada com um estabilizador de combustível, a mesma deverá ser escoada dentro de um recipiente aprovado. Ligue o motor até parar por falta de combustível. O uso de um estabilizador de combustível no reservatório de armazenamento é recomendado para manter o frescor.

## Óleo do motor

Troque o óleo com o motor ainda quente. Consulte a seção **Trocar o óleo do motor**.

# Solução de Problemas

Para obter ajuda, entre em contato com o vendedor local ou visite o [VanguardEngines.com](http://VanguardEngines.com) ou ligue para o 1-800-999-9333 (nos EUA).

## Especificações

Modelo: 540000	
Cilindradas	54.68 ci (896 cc)
Diâmetro	3.366 in (85,5 mm)
Curso	3.071 in (78,0 mm)
Capacidade de óleo	78 - 80 oz (2,3 - 2,4 L)
Intervalo da vela de ignição	.030 in (,76 mm)
Torque da vela de ignição	180 lb-in (20 Nm)
Folga de ar da armadura	.005 - .008 in (,13 - ,20 mm)
Tolerância da válvula de entrada	.004 - .006 in (,10 - ,15 mm)
Tolerância da válvula de exaustão	.007 - .009 in (,18 - ,23 mm)

Modelo: 610000, 61E100	
Cilindradas	60.60 ci (993 cc)
Diâmetro	3.366 in (85,5 mm)
Curso	3.406 in (86,5 mm)
Capacidade de óleo	78 - 80 oz (2,3 - 2,4 L)
Intervalo da vela de ignição	.030 in (,76 mm)
Torque da vela de ignição	180 lb-in (20 Nm)
Folga de ar da armadura - Modelos de carburador	.005 - .008 in (,13 - ,20 mm)
Tolerância da válvula de entrada	.004 - .006 in (,10 - ,15 mm)
Tolerância da válvula de exaustão	.007 - .009 in (,18 - ,23 mm)

\* A potência do motor reduzirá 3,5% a cada 300 metros (1.000 pés) acima do nível do mar e 1% a cada 5,6 °C (10 °F) acima de uma temperatura de 25 °C (77 °F). O motor funcionará satisfatoriamente em um ângulo de até 15°. Consulte o manual do operador do equipamento a fim de obter os limites permitidos para o funcionamento seguro em declive.

Peças de revisão - Modelo: 540000, 610000, 61E100	
Peça de serviço	Número da peça
Filtro de ar ciclônico (Figura 12)	841497
Filtro de segurança ciclônico (Figura 12)	821136
Filtro de ar, de perfil baixo (Figura 13)	692519
Pré-purificador de ar, de perfil baixo (Figura 13)	692520
Óleo - SAE 30	100028
Filtro de óleo	842921
Fórmula avançada de tratamento e estabilizador de combustível	100117, 100120
Filtro de combustível	691035
Vela de ignição resistiva	491055
Vela de ignição de platina de longa duração	5066
Chave de vela de ignição	19374
Analisador de faíscas	19368

Recomendamos que consulte um Centro Autorizado Briggs & Stratton para todos os serviços de reparo e manutenção do motor e suas peças.

**Classificações de Potência:** A classificação de potência bruta para modelos individuais de motores à gasolina é rotulada de acordo com o código J1940 (Small Engine Power & Torque Rating Procedure) da SAE (Society of Automotive Engineers), e classificada conforme a SAE J1995. Os valores de torque são derivados a 2600 RPM para os motores indicados com "rpm" no rótulo, e em 3060 RPM para todos os outros; os valores de cavalos vapor são derivados a 3600 RPM. As curvas de potência bruta podem ser visualizadas em [www.BRIGGSandSTRATTON.COM](http://www.BRIGGSandSTRATTON.COM). Os valores de potência nominal são obtidos com os sistemas de exaustão e de filtragem de ar instalados, enquanto que os valores de

potência bruta são coletados sem que estes acessórios estejam instalados. A potência bruta real do motor será maior do que a potência nominal, e é afetada, entre outras coisas, pelas condições do ambiente operacional e variações que existem entre um motor e outro. Devido à grande variedade de produtos que utilizam motores, um motor a gasolina pode não desenvolver a potência bruta especificada quando instalado em determinados tipos de equipamentos. Esta diferença se deve a vários fatores, incluindo, mas não se limitando a acessórios (filtro de ar, escapamento, carga, arrefecimento, carburador, bomba de combustível, etc.), limitações da aplicação, condições do ambiente operacional (temperatura, umidade, altitude), e variações que existem entre um motor e outro. Devido às limitações de fabricação e capacidade, a Briggs & Stratton pode substituir este motor por outro de potência maior.

## Garantia

### Garantia do motor Briggs & Stratton

Válida a partir de janeiro de 2017

#### Garantia limitada

A Briggs & Stratton garante que, durante o período de garantia especificado abaixo, será feita a reparação ou substituição gratuita de qualquer peça que esteja com defeito no material ou em virtude do processo de fabrico ou ambos. As despesas de transporte do produto enviado para reparos ou substituição nos termos desta garantia serão de responsabilidade do comprador. Esta garantia é válida de acordo com os prazos e condições estipulados abaixo. Para o serviço de garantia, localize o Centro de Serviço Autorizado mais próximo usando nosso mapa de localização de revendedores em [BRIGGSandSTRATTON.COM](http://BRIGGSandSTRATTON.COM). O comprador deve entrar em contato com o Centro de Serviço Autorizado e, em seguida, disponibilizar o produto para o mesmo para inspeção e testes.

**Não há nenhuma outra garantia expressa. As garantias implícitas, inclusive as de comercialização e adequação a um fim específico, estão limitadas ao período de garantia estabelecido abaixo, ou até o limite permitido por lei.** A responsabilidade por danos incidentais ou consequenciais está excluída na extensão permitida por lei. Alguns países ou estados não permitem limitações do tempo de duração de garantias implícitas, e outros países ou estados não permitem a exclusão ou limitação de danos consequenciais ou incidentais, portanto a limitação e exclusão acima podem não se aplicar ao consumidor. Esta garantia dá direitos legais específicos e o consumidor pode também ter outros direitos que variam de país para país ou de estado para estado <sup>4</sup>.

#### Termos de garantia padrão <sup>1, 2, 3</sup>

Marca/nome do produto	Uso	
	residencial	comercial
Vanguard™; Série comercial	36 meses	36 meses
Motores equipados com corpo de cilindro fundido Dura-Bore™	24 meses	12 meses
Todos os outros motores	24 meses	3 meses

<sup>1</sup> Esses são nossos de garantia padrão, mas ocasionalmente pode haver cobertura de garantia adicional que não foi determinada no momento da publicação. Para obter uma listagem dos termos de garantia atuais de seu equipamento, acesse [BRIGGSandSTRATTON.COM](http://BRIGGSandSTRATTON.COM) ou entre em contato com o Centro de Serviço Autorizado Briggs & Stratton.

<sup>2</sup> Não há garantia para motores em equipamentos usados como energia principal no lugar de um utilitário ou em geradores usados para uso comercial. Os motores usados em competições automobilísticas ou pistas comerciais ou de aluguel não têm garantia.

<sup>3</sup> Vanguard instalado em geradores auxiliares: Garantia de 24 meses para uso residencial e sem garantia para uso comercial. Vanguard instalado em veículos utilitários: Garantia de 24 meses para uso residencial e 24 meses para uso comercial. Série comercial com data de fabricação antes de julho de 2017, 24 meses de uso residencial, 24 meses de uso comercial.

<sup>4</sup> Na Austrália, os nossos produtos vêm com garantias que não podem ser excluídas nos termos da Lei do Consumidor da Austrália. Você tem direito a substituição ou reembolso devido a falha grave e a compensação por qualquer outra perda ou dano razoavelmente previsível. Você tem também o direito à reparação ou substituição dos produtos se estes não apresentarem qualidade aceitável, e se a falha não for uma falha grave. Para manutenção na garantia, encontre o Centro de Serviço Autorizado em nosso mapa localizador de revendedores em [BRIGGSandSTRATTON.COM](http://BRIGGSandSTRATTON.COM), ou pelo telefone 1300 274 447, ou por e-mail para [salesenquires@briggsandstratton.com.au](mailto:salesenquires@briggsandstratton.com.au), Briggs & Stratton Austrália Pty Ltd, 1 Moorebank Avenue, NSW, Austrália, 2170.

O prazo de garantia começa na data da compra original feita pelo primeiro consumidor residencial ou comercial. "Uso residencial" significa uso pessoal residencial por um consumidor de varejo. "Uso comercial" significa todos os outros usos, inclusive o uso para fins comerciais, de geração de renda ou aluguel. Uma vez tendo sido usado comercialmente, o motor será posteriormente considerado de uso comercial para os propósitos desta garantia.

**Guarde o recibo de prova de compra. Se você não apresentar o comprovante com a data de compra original ao solicitar o serviço de garantia, a data de fabricação do**

**produto será usada para calcular o prazo de garantia. O registro do produto não é necessário para obter o serviço de garantia dos produtos Briggs & Stratton.**

#### **Sobre a garantia**

Esta garantia cobre somente material e/ou mão de obra defeituosos relacionados com o motor, e não a substituição ou reembolso do equipamento em que o motor possa estar montado. Manutenção de rotina, regulagens, ajustes ou desgaste normal não são cobertos pela garantia. Da mesma forma, a garantia não se aplica caso o motor tenha sido alterado ou modificado ou caso o número de série do motor tenha sido adulterado ou removido. Esta garantia não cobre danos ao motor ou problemas de desempenho causados por:

1. Uso de peças que não sejam originais Briggs & Stratton;
2. Operação do motor com óleo lubrificante insuficiente, contaminado ou com um grau incorreto;
3. Uso de combustível contaminado ou envelhecido, gasolina formulada com etanol superior a 10% ou pelo uso de combustíveis alternativos, como petróleo liquefeito ou gás natural em motores não originalmente projetados/fabricados pela Briggs & Stratton para funcionar com tais combustíveis;
4. Penetração de impurezas no motor decorrente da manutenção ou remontagem inadequada do purificador de ar;
5. Choque de um objeto com uma lâmina cortante de uma máquina rotativa para cortar grama, adaptadores de lâmina, impulsores ou outros dispositivos conectados ao virabrequim frouxos ou instalados inadequadamente ou o aperto excessivo da correia em V;
6. Componentes associados ou de conjuntos, tais como embreagens, transmissões, controles do equipamento, etc., que não sejam fornecidos pela Briggs & Stratton;
7. Superaquecimento devido a restos de relva, impurezas e resíduos, ou ninho de roedores que obstruem ou entopem as aletas de arrefecimento ou área do volante, ou devido à utilização do motor sem ventilação suficiente;
8. Vibração excessiva devido à sobrevelocidade, montagem frouxa do motor, lâminas cortantes ou impulsores frouxos ou desbalanceados, ou componentes do equipamento inadequadamente acoplados ao virabrequim;
9. Uso indevido, falta de manutenção de rotina, transporte, manuseio ou armazenamento do equipamento, ou instalação inadequada do motor.

**O serviço de garantia está disponível apenas por meio dos Centros de Serviço Autorizados Briggs & Stratton. Localize o Centro de Serviço Autorizado mais próximo, no mapa de localização em [BRIGGSandSTRATTON.COM](http://BRIGGSandSTRATTON.COM) ou ligue para 1-800-233-3723 (nos EUA).**

80004537 (Rev.C)

Not for  
Reproduction

Hakimili ya © Briggs & Stratton Corporation, Milwaukee, WI, Marekani. Haki zote zimehifadhi.

Mwongozo huu una maelezo ya usalama kukufahamisha juu ya madhara na hatari zinazohusiana na injini na jinsi ya kuyazuia. Pia una maelekezo kwa matumizi bora na utunzaji wa injini. Kwa sababu Shirika la Briggs & Stratton haijui hususan injini hii itaendesha kifaa kipi, ni muhimu kuwa usome na uelewe maelekezo haya na mifano ya kifaa. **Hifadhi maelekezo haya asili kwa marejeleo ya siku zijazo.**

**Kumbuka:** Vielelezo na mifano kwenye mwongozo huu vimetolewa kwa marejeleo tu na vinaweza kutofautiana na modeli yako maalum. Wasiliana na mtoa huduma wako iwapo una maswali.

Kwa ubadilishaji wa sehemu au usaidizi wa kiufundi, rekodi hapa chini modeli, aina, na nambari za msimbo za injini pamoja na tarehe ya ununuzi. Nambari hizi zinapatikana kwenye injini yako (tazama sehemu ya **Vipengele na Udhhibiti**).

<b>Tarehe ya Ununuzi</b>	
<b>Modeli ya Injini - Aina - Kupunguza</b>	
<b>Nambari Tambulishi ya Injini</b>	

Tafuta mwambaa upau wa 2D ulio kwenye baadhi ya injini. Inapotazamwa kwa kifaa kinachoweza 2d, msimbo ulileta wavuti wetu ambapo unaweza kufikiri maelezo ya auni kwa bidhaa hizi. Viwango vya data vinatekelezwa. Baadhi ya nchi huenda zisiwe na maelezo ya auni ya mtandaoni.



## Maelezo ya Kutumia upya

		Ufungaji, mafuta yaliyotumika, na betri zote zinafaa kutumiwa upya kulinagana na kanuni za serikali zinazotekelezwa.
--	--	--

## Usalama wa Opareta

### Ishara ya Tahadhari ya Usalama na Maneno ya Ishara

Alama ya tahadhari ya usalama inatumika kutambua taarifa salama kuhusu hatari zinazoweza kusababisha jeraha la kibinafsi. Neno la ishara (HATARI, ONYO au TAHADHARI) linatumika pamoja na alama ya tahadhari ili kuonyesha uwezekano wa jeraha kuwa kubwa. Mbali na hayo, alama ya hatari inaweza kutumika kuwakilisha aina ya hatari.

**HATARI** inaonyesha hatari ambayo isipoepukwa, **inaweza kusababisha kifo au jeraha kubwa.**

**HATARI** inaonyesha hatari ambayo isipoepukwa, **inaweza kusababisha kifo au jeraha baya.**

**HATARI** inaonyesha hatari ambayo isipoepukwa, **inaweza kusababisha kifo au jeraha dogo au wastani.**

**ILANI** inaonyesha hali ambayo **inaweza kusababisha uharibifu wa bidhaa.**

## Ishara na Maana ya Madhara

Ishara	Maana	Ishara	Maana
	Maelezo ya usalama kuhusu madhara ambayo yanaweza kutokea katika majeraha ya kibinafsi.		Soma na uelewe Mwongozo wa Operator's kabla ya kuendesha na kushughulikia kitengo.

Ishara	Maana	Ishara	Maana
	Madhara ya moto		Madhara ya mlipuko
	Madhara ya mshtuko		Madhara ya mafushi ya sumu
	Madhara ya maeneo moto		Madhara ya kelele - Ulinzi wa masikio unapendekezwa kwa matumizi ya muda mrefu.
	Madhara ya kifaa kilichofutwa - Vaa vilinda macho.		Madhara ya mlipuko
	Madhara ya jamidi		Madhara kurudi nyuma kwa haraka
	Madhara ya ukataji wa viungo - sehemu zinazosonga		Madhara ya Kemikali
	Madhara ya majimaji yaliyo moto		Kupiga kutu

## Ujumbe wa Usalama

**Onyo**

Vijenzi fulani kwenye bidhaa hii na vikorokoro vyake vinavyohusiana vina kemikali inayojulikana kusababisha saratani katika Jimbo la California, ulemavu wa kuzaliwa au madhara mengine ya uzalishaji. Nawa mikono baada ya kushughulikia.

**Onyo**

Eneo la injini la kutolea moshi kutoka kwenye bidhaa hii lina kemikali inajulikana kusababisha saratani katika Jimbo la California, ulemavu wa kuzaliwa, au madhara mengine ya uzalishaji.

**Onyo**

Injini za Briggs & Stratton hazijaundwa kwa kutumiwa na nguvu za umeme: vijigari vya kufurahia; vijigari vya kuendesha; vya watoto burudani, au magari ya barabara ya aina yote (ATVs); pikipiki; gari la kuendesha juu ya maji bidhaa za ndege; au magari yaliyotumiwa katika matukio ya mashindano yasiyowekewa vikwazo na Briggs & Stratton. Kwa maelezo kuhusu bidhaa za mashindano ya uendesha magari, tazama [www.briggsracing.com](http://www.briggsracing.com). Kwa matumizi kwa mashirika na ATV za upande kwa upande, tafadhali wasiliana na Kituo cha Utekezaji Injini cha Briggs & Stratton, 1-866-927-3349. Utekezaji mbaya wa injini unaweza kusababisha majeraha mabaya au kifo.

**Onyo**

**Mafuta na mvuke wake unaweza kuwaka moto haraka sana na kulipuka.**

**Moto au mlipuko unaweza kusababisha majeraha mabaya ya moto au kifo.**

### Wakati Unaongeza Fueli

- Zima injini na uwache injini ipoe kwa angalau dakika 2 kabla ya kuondoa kifuniko cha mafuta.
- Jaza tangi la fueli nje au katika eneo linaurusu hewa kuingia vizuri.
- Usijaze tangi la fueli kupita kiasi. Ili uruhusu uvukizi wa fueli, usijaze hadi juu ya chini ya shingo ya tangi la mafuta.



- Weka mafuta mbali na cheche, moto ulio wazi, taa za gesi, joto, na vyanzo vingine vya moto.
- Angalia tundu, tangi, kifuniko na kurekebisha mara kwa mara kwa nyufa na uvujaji. Badilisha kama itahitajika.
- Mafuta yakimwagika, subiri mpaka pale ambapo yatayeyuka kabla ya kuwasha injini.

#### Wakati wa Kuwasha Injini

- Hakikisha kwamba plagi ya spaki, mafla, kifuniko cha mafuta, na kisafishaji hewa (iwapo kipo) vimefungwa mahali vinapofaa.
- Usiwashe injini wakati kiziba cheche kimeondolewa.
- Ikiwa injini itafurika, weka choki (ikiwa ipo) katika upande wa FUNGUA / ENDESHA, sogeza kifaa cha kudhibiti mmiminiko wa mafuta (ikiwa kipo) upande wa HARAKA na ushtue hadi injini iwake.

#### Wakati Unapoendesha Kifaa

- Usiinamisha injini au kifaa katika pembe inayosababisha fueli kumwagika.
- Usiruhusu hewa kuingia kwenye kabureta ili kusimamisha injini.
- Usiwashe au kuendesha injini kamwe wakati uunganishaji wa kisafisha hewa (iwapo kipo) au kichuja hewa (iwapo kipo) kimeondolewa.

#### Wakati Unapobadilisha Mafuta

- Ukifyonza mafuta kutoka kwenye bomba la oili la juu, lazima tangi la mafuta liwe tupu au mafuta yanaweza kuvuja nje na kusababisha moto au mlipuko.

#### Wakati Unapoinamisha Kitengo kwa ajili ya Udumishaji

- Wakati unapotekeleza udumishaji unaohitaji kitengo kuinamishwa, tangi la fueli, iwapo limewekwa kwenye injini, lazima liwe tupu au fueli inaweza kumwagika na kusababisha moto au mlipuko.

#### Wakati wa Kusafirisha Kifaa

- Safirisha wakati tangi la fueli liko TUPU au na vali ya kuzima fueli katika hali ILIYOFUNGWA.

#### Wakati wa Kuhifadhi Mafuta Au Kifaa Kilicho na Mafuta Kwenye Tangi

- Hifadhi mbali na tanuu, stovu, hita za kuchemshia maji, au vitu vingine ambavyo vina taa za moto au vyanzo vya mwako kwa sababu vinaweza kuwasha mivuke ya mafuta.



Onyo

Kuwasha injini huunda cheche.

Cheche zinaweza kuwasha gesi zilizo karibu zilizo na uwezo wa kuwaka.

Mlipuko na moto unaweza kusababishwa.

- Iwapo kuna gesi asili ya LP iliyomwagika katika eneo, usiwashe injini.
- Usitumie majimaji yaliyoshinikizwa ya kuwasha kwa sababu mvuke una uwezo wa kuwaka.



Onyo

**MADHARA YA GESI YENYE SUMU.** Eksozi ya injini ina kaboni monoksidi, gesi ya sumu ambayo inaweza kukuua wewe kwa dakika kadhaa. **HUWEZI** kuiona, kuinusa au kuionja. Hata kama huwezi kunusa mafusho yanayotolewa, unaweza kufikia gesi ya kaboni monoksidi. Iwapo utaanza kuhisi kuwa mgonjwa, kizunguzungu, au mchovu wakati unatumia bidhaa hii, enda kwenye eneo lenye hewa safi **MARA MOJA**. Mwone daktari. Unaweza kupata sumu ya kaboni monoksidi.

- Tumia bidhaa hii NJE PEKEE mbali na madirisha, milango na matundu ili kupunguza hatari ya gesi ya kaboni monoksidi kukusanyika na uwezekano wa kuwa inasambazwa kuelekea maeneo ya nje.
- Sakinisha ving'ora vya kutambua uwepo wa monoksidi ya kaboni vinavyoendesha na betri pamoja na chelezo za betri kulingana na maagizo ya mtengenezaji. Ving'ora vya moshi haviwezi kutambua gesi ya monoksidi ya kaboni.
- USIENDESHEE bidhaa hii ndani ya nyumba, gereji, vyumba vya chini ya ardhi, ubati, vibanda, au majengo mengine yaliyobanwa hata kama unatumia viyoyozi ama kufungua milango na madirisha kwa hewa. Monoksidi ya kaboni inaweza kukusanyika kwa haraka katika maeneo haya na inaweza kukwama kwa saa, hata baada ya bidhaa hii kuzimwa.
- Weka kifaa hiki upande ambao upepo unatoka WAKATI WOTE na ulenge ekzosi mbali na maeneo yenye watu.



Onyo

Uvutaji nyuma wa haraka wa kamba ya kianzishi (kuvuta nyuma kwa haraka) kutavuta mkono kuelekea kwenye injini haraka kuliko unavyoweza kuachilia.

Mifupa iliyovunjika, kuvunjika kwa mifupa mikuuu, michubuko, mishtuko inaweza kutokea.

- Wakati wa kuwasha injini, kuzuia kurudi nyuma kwa haraka, vuta kamba ya kianzishi polepole hadi uhisu upinzani na kisha uvute haraka ili kuzuia kuvuta nyuma kwa haraka.
- Ondoa vifaa cha nje/ mizigo yote ya injini kabla ya kuwasha injini.
- Vijenzi vya kifaa kilichounganishwa moja kwa moja kama vile, lakini visivyo tu, bapa, mashine ya kusogeza majimaji, makapi, proketi, n.k., lazima viambathishwe salama.



Onyo

Sehemu zinazozunguka zinaweza kugusana au kunasa mikono, miguu, nywele, au nguo, au vikorokoro.

Ukataji wa viungo wenye kiwewe au majeraha makali ya ukataji ngozi yanaweza kutokea.

- Endesha kifaa na vilinzi vikiwa karibu.
- Weka mikono na miguu mbali na sehemu zinazozunguka.
- Funga nywele ndefu na uondoe mapambo.
- Usivae nguo zizozokubana vizuri, kamba za nguo zinazomwayamwaya au vipengee vinavyoweza kushikwa.



Onyo

Kuendesha injini huzalisha joto. Sehemu za injini, hususan mafla, huwa moto zaidi.

Unaweza kuchomeka vibaya unapokigusa.

Uchafu unaozuka kuwaka, kama vile majani, nyasi, brashi n.k. unaweza kushika moto.

- Ruhusu mafla, silinda ya injini na mapezi yapoe kabla ya kugusa.
- Ondoa uchafu uliokusanyika kutoka kwenye eneo la mafla na eneo la silinda.
- Ni ukiukaji wa Msimbo wa Rasilimali wa Umma wa California, Sehemu ya 4442, kutumia au kuendesha injini katika eneo linalozungukwa na msitu, lililozungukwa na brashi, au lililo na nyasi isipokuwa mfumo wa eneo la kutolea moshi una kishika cheche, kama ilivyofafanuliwa kwenye Sehemu ya 4442, iliyodumishwa kwenye mpangilio wenye ufanisi wa kufanya kazi. Mamlaka mengine ya Majimbo au shirikisho yanaweza kuwa na sheria sawa. Wasiliana na mtengenezaji wa kifaa asili, muuzaji wa rejareja, au mtoa huduma ili kupata kishika cheche kilichobuniwa kwa mfumo wa eneo la kutolea moshi uliosakinishwa kwenye injini hii.



Onyo

Cheche zinazotokea kwa bahati mbaya zinaweza kusababisha moto au mrusho wa stima.

Uwashaji usiotarajiwa unaweza kusababisha kunaswa, kukatwa kwa viungo kwa kiwewe, au majeraha makali ya ukataji wa ngozi.

Madhara ya moto

Kabla ya kutekeleza marekebisho au ukarabati:

- Tenganisha waya ya kizibo cha cheche na iweke mbali na kizibo cha cheche.
- Tenganisha betri katika kichwa cha hasi (injini tu zenye kianzishi cha umeme).
- Tumia zana sahihi tu.
- Usichezee springi ya kidhibiti, viungo, au viungo vingine ili kuongeza kasi ya injini.
- Viungo vya kubadilishia lazima viwe vya aina ileile na viingizwe katika sehemu ileile kama viungo vya asili. Sehemu nyingine huenda zisitekeleze vilevile, zinaweza kuharibu kitengo, na inaweza kusababisha majeraha.
- Usigongegonge gurudumu la kuongeza kasi ya injini kwa nyundo au kifaa kigumu kwa sababu gurudumu la kuongeza kasi ya injini linaweza kuvunjika wakati wa kuendesha.

Wakati wa kujaribu cheche:

- Tumia kjaribio cha kuziba cheche kilichoidhinishwa.
- Usikague cheche na kiziba cheche imeondolewa.

## Vipengele na Vidhibiti










### Vidhibiti vya Mtambo

Linganisha mfano (Kielelezo: 1, 2, 3, 4) na injini yako ili kujifahamisha na eneo la vipengele na vidhibiti mbalimbali.

- A. Nambari Tambulishi za Injini **Modeli - Aina - Msimbo**
- B. Kiziba Cheche
- C. Kisafishaji cha Hewa,
- D. Kisafishaji Hewa, Kiwango cha Chini
- E. Kifaa cha Kupima mafuta
- F. Mjazo wa Hewa
- G. Kichuja Hewa
- H. Kuziba ya Kumwaga Mafuta
- I. Sensa ya Kani ya Mafuta
- J. Kilinda Kidole
- K. Kianzishi cha Umeme
- L. Sumaku ya Kianzishaji
- M. Kidhibiti/Kirekebeshaji
- N. Kabureta - Modeli za Kabureta
- O. Kipozaji cha Fueli (iwapo kipo)
- P. Mafla (iwapo ipo)
- Q. Pampu ya Fueli
- R. Swichi ya Kianzishi <sup>1</sup>
- S. Kidhibiti cha Transfoma ndogo ya gari <sup>1</sup>
- T. Kidhibiti cha Choki - Modeli za Kabureta <sup>1</sup>
- U. Kichujio cha Fueli (iwapo kipo)

<sup>1</sup> Baadhi ya injini na vifaa vina vidhibiti vya mbali. Tazama mwongozo wa kifaa kwa utambuzi na uendeshaji wa vidhibiti mbali.

### Ishara za Kudhibiti Injini na Maana

Ishara	Maana	Ishara	Maana
	Kasi ya injini - HARAKA		Kasi ya injini - POLEPOLE
	Kasi ya injini - SIMAMA		WASHA - ZIMA
	Kuwasha injini - Choki IMEFUNGWA		Kuwasha injini - Choki IMEFUNGULIWA
	Kifuniko cha Mafuta Kizima fueli - KILICHOFUNGULIWA		Kizima fueli - KILICHOFUNGWA
	Kiwango cha mafuta - Upeo Usijaze kupita kiasi		

## Oparesheni

### Mapendekezo ya Mafuta

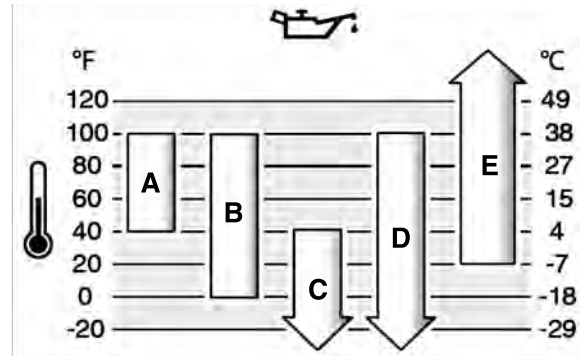
**Kiwango cha Mafuta:** Tazama *Vipimo Maalum* sehemu.

#### Notisi

Injini hii ililetwa kutoka Briggs & Stratton bila mafuta. Watengenezaji au wauzaji vifaa huenda waliongeza mafuta kwenye injini. Kabla ya kuwasha injini kwa mara ya kwanza, hakikisha umekagua kiwango cha mafuta na umeongeza mafuta kulingana na maagizo kwenye mwongozo huu. Iwapo utawasha injini bila mafuta, itaharibika hadi kushindwa kukarabatiwa na hutafidiwa chini ya udhamini huu.

Tunapendekeza matumizi ya mafuta Yaliyoidhinishwa na Udhamini wa Briggs & Stratton kwa utendakazi bora. Mafuta mengine yaliyo na sabuni ya kiwango cha juu yanakubalika iwapo yamebainishwa kwa huduma ya SF, SG, SH, SJ au ya juu zaidi. Usitumie vitegemezi maalum.

Haliyoto ya nje inatambua mnato sahihi wa mafuta wa injini. Tumia chati kuteua mnato bora wa masafa ya halijoto ya nje inayotarajiwa. Injini katika vifaa vingi vya nje huendeshwa vizuri na mafuta ya Kisinthetiki ya 5W-30. Kwa vifaa vinavyoendeshwa katika halijoto, mafuta ya Kisinthetiki ya Vanguard™ 15W-50 hutoa ulinzi bora zaidi.



A	SAE 30 - Chini ya 40 °F (4 °C) matumizi ya SAE 30 yatasababisha ugumu wa kuwaka.
B	10W-30 - Juu ya 80 °F (27 °C) matumizi ya 10W-30 yanaweza kusababisha uongezekaji wa matumizi ya mafuta. Angalia kiwango cha mafuta mara kwa mara.
C	5W-30
D	Sinthetiki 5W-30
E	Vanguard™ Synthetic 15W-50

### Angalia Kiwango cha Mafuta

Tazama Kelelezo: 5

#### Kabla ya kuongeza au kuangalia mafuta

- Hakikisha kuwa mtambo uko katika kiwango.
  - Safisha eneo la kujaza mafuta kutokana na uchafu wowote.
1. Ondoa kifaa cha kuangalia kiwango cha mafuta (A, Kielelezo 5) na upanguse kwa kitambaa safi.
  2. Sakinisha kifaa cha kupima kiwango cha mafuta kikamilifu (A, Kielelezo 5).
  3. Ondoa kifaa cha kupima mafuta na ukague kiwango cha mafuta. Kiwango sahihi cha mafuta kiko juu ya kiashiria kilichojaa kwenye kifaa cha kuangalia kiwango cha mafuta (B, Kielelezo 5) kwenye kifaa cha kuangalia kiwango cha mafuta.
  4. Iwapo kiwango cha mafuta kiko chini, kwa utaratibu ongeza mafuta kwenye eneo la mafuta (C, Kielelezo 5). **Usijaze kupita kiasi.** Baada ya kuongeza mafuta, subiri dakika moja na kisha angalia kiwango cha mafuta.
  5. Sakinisha kifaa cha kupima kiwango cha mafuta kikamilifu (A, Kielelezo 5).

### Mfumo wa Ulinzi wa Chini wa Mafuta (iwapo upo)

Baadhi ya modeli zina kihisio cha mafuta ya chini. Iwapo mafuta yako chini, kihisio aidha kitaamilisha mwangaza wa tahadhari au kusimamisha injini. Simamisha injini na ufuate hatua hizi kabla ya kuwasha tena injini.

- Hakikisha injini iko katika sehemu laini.
- Angalia kiwango cha mafuta. Tazama sehemu **Kuangalia Kiwango** cha Mafuta.

- Iwapo kiwango cha mafuta kiko chini, ongeza kiwango sahihi cha mafuta. Washa injini na uhakikishe mwangaza wa tahadhari (iwapo upo) haujaamilishwa.
- Iwapo kiwango cha mafuta hakiko chini, usiwashwe injini. Wasiliana na Mtoa Huduma wa Briggs & Stratton Aliyehidhinishwa ili kurekebisha matatizo ya mafuta.

## Mapendekezo ya Fueli

Lazima fueli ikithi mahitaji haya:

- Petroli safi, freshi, yasiyo na isiyo na lead.
- Kiwango cha chini cha 87 okteni/87 AKI (91 RON). Matumizi ya mwinuko wa juu, tazama hapa chini.
- Petroli iliyo na hadi ethanoli 10% (gasohol) inakubalika.

**Notisi** Usitumie petroli isiyoidhinishwa, kama vile E15 na E85. Usichanaganye mafuta kwenye petroli au kurekebisha injini ili kuendesha fueli mbadala. Usitumie fueli isiyoidhinishwa itaharibu vipengele vya injini, ambavyo havitashughulikiwa chini ya udhamini.

Ili kulinda mfumo wa fueli kutokana na utengenezaji wa gundi, changanya kiimarishaji cha fueli kwenye fueli. Tazama Hifadhi . Fueli zote sio sawa. Iwapo matatizo ya kuanza au utendakazi yataotokea, badilisha mtoaji fueli au badilisha chapa. Injini hii imeidhinishwa kuendesha kutumia petroli. Mfumo wa kudhibiti uchafuzi wa injini hii ni EM (Marekebesho ya Injini).

### Mwinuko wa Juu

Katika mwinuko wa zaidi ya futi 5,000 (mita 1524), kiwango cha chini cha okteni 85 /85 AKI (89 RON) petroli inakubaliwa.

Kwa injini iliyo na kabureta, marekebesho ya mwinuko wa juu yanahitajika ili kudumisha utendakazi. Oparesheni bila marekebesho unaweza kusababisha kupunguka kwa utendakazi, matumizi ya fueli yalioongezeka, na uchafuzi ulioongezeka. Wasiliana na Mtoa Huduma wa Briggs & Stratton Aliyehidhinishwa kwa maelezo ya marekebesho ya mwinuko wa juu. Oparesheni wa injini katika mwinuko wa chini ya futi 2,500 (mita 762) na marekebesho ya mwinuko wa juu hayapendekezwi.

Kwa injini za Uinjizaji wa Fueli wa Kielektriki (EFI), hakuna marekebesho ya mwinuko wa juu yanahitajika.

## Ongeza Mafuta

Tazama Kelelezo: 6



Onyo

**Fueli na mvuke wako unawaka na kulipuka haraka sana.**

**Moto au mlipuko unaweza kusababisha kuchomeka vikali au kifo.**

**Wakati wa kuongeza fueli**

- Zima injini na uruhusu injini kupoa angalau dakika 2 kabla ya kuondoa kifuniko cha fueli.
- Jaza tangi la fueli nje au katika eneo linaruhusu hewa kuingia vizuri.
- Usijaze tangi la fueli kupita kiasi. Ili kuruhusu upanukaji wa fueli, usijaze kupita chini ya shingo la tangi la fueli.
- Hifadhi fueli mbali na cheche, miale iliyo wazi, taa za mwongozo, joto na vyanzo vingine vya uwakaji.
- Angalia tundu, tangi, kifuniko na kurekebisha mara kwa mara kwa nyufa na uvujaji. Badilisha ikiwezekana.
- Iwapo fueli itamwagika, subiri hadi ivukize kabla ya kuwasha injini.

1. Safisha kifuniko cha fueli kutokana na uchafu. Ondoa kifuniko cha fueli.
2. Jaza tangi la fueli kwa fueli (A, Kielelezo 6). Ili kuruhusu upanuzi wa fueli, usijaze juu ya chini ya shingo la tangi la fueli (B).
3. Sakinisha upya kifuniko cha fueli.

## Washa na Uzime Injini

Tazama Kelelezo: 7

**Washa Injini**



Onyo

**Fueli na mvuke wake unawaka na kulipuka hara sana.**

**Moto au mlipuko unaweza kusababisha kuchomeka vikali au kifo.**

**Wakati wa Kuwasha Injini**

- Hakikisha kuziba cheche, mafla, kifuniko cha fueli na kisafishaji cha hewa (iwapo vipo) viko sawa na salama.
- Usiwashwe injini wakati kuziba cheche kimeondolewa.
- Iwapo injini inamwaga mafuta, weka choki (iwapo ipo) kwenye eneo la FUNGUA/ENDESHA, sogeza transfoma ndogo (iwapo ipo) kwenye eneo la HARAKA na uwashe injini hadi ianze kuenda.



Onyo

**MADHARA YA GESI YENYE SUMU.** Eneo la injini la kutolea moshi lina monoksidi kaboni, gesi yenye sumu ambayo inaweza kuua kwa dakika. **HUWEZI** kuiona, kuinusa au kuionja. Hata kama huwezi kunusa mafusho yanayotolewa, unaweza kufikia gesi ya monoksidi kaboni. Iwapo utaanza kuhisi, mgonjwa, kizunguzungu, au mchovu wakati unatumia bidhaa hii, izime na uende eneo lenye hewa safi **MARA MOJA. Mwone Daktari. Unaweza kuwa na sumu ya monoksidi kaboni.**

- Endesha bidhaa hii nje TU mbali na madirisha, milango na tundu za kuingiza hewa ili kupunguza hatari za gesi ya monoksidi kaboni kutokana na kukusanyika na kuweza kuelekea katika maeneo yaliyo na watu.
- Sakinisha ving'ora vya kutambua uwepo wa monoksidi kaboni vinavyoendesha na betri pamoja na chelezo za betri kulingana na maelezo ya mtengenezaji. Ving'ora vya moshi haviwezi kutambua gesi ya monoksidi kaboni.
- USIENDESHE bidhaa hii nyumbani, karakarani, sehemu ya chini ya majengo, maeneo ya kutembelea kwenye majengo, vivulini, au maeneo mengine yaliyofunikwa nusu hata kama unatumia feni au milango na madirisha yaliyofunguka kuruhusu hewa kuingia. Monoksidi kaboni inaweza kukusanyika kwa haraka katika maeneo haya na inaweza kukwama kwa saa, hata baada ya bidhaa hii kuzimwa.
- KILA MARA weka bidhaa hii katika eneo lenye upepo na uelekeze eneo la kutolea moshi la injini mbali na maeneo yaliyo na watu.

**Notisi** Injini hii ililetwa kutoka Briggs & Stratton bila mafuta. Kabla uweze kuwasha injini, hakikisha umeongeza mafuta kulingana na maelezo kwenye mwongozo huu. Iwapo utawasha injini bila mafuta, itaharibika hadi kushindwa kukarabatiwa na hutafidiwa chini ya udhamini huu.

**Tambua Mfumo wa Kuwasha**

Kabla ya kuwasha injini, lazima utambue aina ya mfumo wa kuanza ambao uko kwenye injini yako. Injini yako ina mojawapo ya aina zifuatazo.

- **Mfumo wa Elektronik wa Utiaji Fueli (EFI):** Hii ina Kitiaji Fueli cha Elektronik. Haina choki au prima.
- **Mfumo wa Choki:** Hii ina prima nyekundu inayotumiwa kuwasha katika halijoto baridi. Baadhi ya modeli zitakuwa na kidhibiti cha choki tofauti na nyingine zitakuwa na kidhibiti cha choki na transfoma ndogo za pamoja. Aina hizi hazina prima.

**Kumbuka:** Kifaa kinaweza kuwa na vidhibiti mbali. Tazama mwongozo wa kifaa kwa utambuzi na uendeshaji wa vidhibiti mbali.

### Mfumo wa Elektronik wa Utiaji Fueli (EFI)

1. Angalia mafuta ya injini. Tazama sehemu **Kuangalia Kiwango** cha Mafuta.
2. Hakikisha vidhibiti vya kiendeshaji cha kifaa, iwapo vipo, vimetenganishwa.
3. Sogeza kizima mafuta iwapo kipo, kwenye eneo la FUNGUA, (A, Kielelezo 7).
4. Sogeza kidhibiti cha transfoma ndogo iwapo kipo, katika eneo la HARAKA, (B, Kielelezo 7). Endesha injini ikiwa katika eneo la HARAKA.
5. Sukuma swichi ya kusimamisha iwapo kipo, katika eneo la WASHA, (D, Kielelezo 7).
6. Geuza swichi ya kuanza ya umeme (E, Kielelezo 7) kwenye eneo la WASHA au ANZA.

**Notisi** Ili kurefusha maisha ya kianzishi, tumia misururu mifupi ya kuanzisha (kiwango cha juu cha sekunde tano). Subiri dakika moja kati ya mizunguko inayoanza.

**Kumbuka:** Iwapo injini haitaanza baada ya majaribio ya kurudia, wasiliana na mtoa huduma wako wa ndani au nenda kwenye **VanguardEngines.com** au piga simu **1-800-999-9333** (Marekani).

### Mfumo wa Choki

1. Angalia mafuta ya injini. Tazama sehemu **Kuangalia Kiwango** cha Mafuta.
2. Hakikisha vidhibiti vya kiendeshaji cha kifaa, iwapo vipo, vimetenganishwa.
3. Sogeza kizima mafuta iwapo kipo, kwenye eneo la FUNGUA, (A, Kielelezo 7).

4. Sogeza kidhibiti cha ransfoma ndogo (B, Kielelezo 7), iwapo ipo, kwenye eneo la HARAKA. Endesha injini kwenye eneo la HARAKA.
5. Sogeza kidhibiti cha choki (C, Kielelezo 7), au mchanganyiko wa choki na transfoma ndogo ya gari, kwenye eneo LILIOFUNGWA.

**Kumbuka:** Ili kuwasha mtambo kwa mfumo wa fueli uliokauka (kwanza pima muda wa kuanza au baada ya kuishiwa fueli), muda wa ziada wa kuzima katika sehemu ya choki utahitajik. Hii itaipata muda pampu ya fueli ili kutayarisha mfumo wa fueli.

6. Sukuma swichi ya kusimamisha iwapo kipo, katika eneo la WASHA, (D, Kielelezo 7).
7. Geuza ufunguo wa swichi (F, Kielelezo 7) kwenye eneo la WASHA au ANZA.
8. Mtambo ukiwaka lakini usiendelee kufanya kazi, sogeza kidhibiti cha choki (C, Kielelezo 7) kwenye sehemu ya WAZI ili kuwasha mtambo.

**Notisi** Ili kurefusha maisha ya kianzishi, tumia misururu mifupi ya kuanzisha (kiwango cha juu cha sekunde tano). Subiri dakika moja kati ya mizunguko inayoanza.

9. Wakati injini inachemka, sogeza kidhibiti cha choki kwenye eneo la FUNGUA (C, Kielelezo 7).

**Kumbuka:** Iwapo injini haitaanza baada ya majaribio ya kurudia, wasiliana na mtoa huduma wako wa ndani au nenda kwenye **VanguardEngines.com** au piga simu **1-800-999-9333** (Marekani).

## Simamisha Injini



Onyo

Fueli na mvuke wake unawaka na kulipuka hara sana.

Moto au mlipuko unaweza kusababisha kuchomeka vikali au kifo.

- Usiruhusu hewa kuingia kwenye kabureta ili kusimamisha injini.
1. **Zima Swichi iwapo ipo:** Sogeza swichi ya kusimamisha katika sehemu ya ZIMA, (D, Kielelezo 7).  
**Kibonye cha Swichi, iwapo kipo:** Kwa kidhibiti cha transfoma ndogo ya gari katika eneo la POLEPOLE, geuza ufunguo wa swichi (E, Kielelezo 7) kwenye sehemu ya ZIMA. Ondoa ufunguo na uhifadhi katika sehemu salama kutokana na ufikaji wa watoto.
  2. Baada ya injini kusimama, sogeza kizima fueli iwapo kipo, katika eneo la IMEFUNGWA, (A, Kielelezo 7).

## Udumishaji

**Notisi** Iwapo injini imeinamishwa wakati wa udumishaji, tangi la fueli, iwapo liko kwenye injini, lazima liwe tupu na upande wa kuziba cheche lazima uwe juu. Iwapo tangi la fueli sio tupu na iwapo injini imeinamishwa katika mwelekeo mwingine, inaweza kuwa vigumu kuwaka kwa sababu ya mafuta au petroli kuchafua kuchuja hewa na/au kuziba cheche.



Onyo

Wakati unapoteketeza udumishaji unaohitaji kitengo kuinamishwa, tangi la fueli, iwapo limewekwa kwenye injini, lazima liwe tupu au fueli inaweza kumwagika nje na kusababisha moto au mlipuko.

Tunapendekeza kuwa umwone Mtoa Huduma yeyote wa Briggs & Stratton Aliyehidhinishwa kwa udumishaji na huduma zote za injini na sehemu za injini.

**Notisi** Vijenzi vyote vilivyotumiwa kujenga injini hii lazima visalie sawa kwa uendeshaji bora.



Onyo

Cheche zisizotarajiwa zinaweza kusababisha moto au mshtuko wa kielektriki.

Uwashaji usiotarajiwa unaweza kusababisha kunaswa, kukatwa kwa viungo kwa kiwewe, au majeraha makali ya ukataji wa ngozi.

**Madhara ya moto**

**Kabla ya kutekeleza marekebisho au ukarabati:**

- Tenganisha waya ya kuziba cheche na uhifadhi mbali na kuziba cheche.

- Tenganisha betri katika mwisho wa chanya (injini zilizo na kiwashaji wa kielektriki tu.)
- Tumia zana sahihi tu.
- Usihitilifiane na springi ya kithibiti, viunganishi au sehemu zingine ili kuongeza kasi ya injini.
- Sehemu za ubadilishaji lazima ziwe sawa na zilizosakinishwa katika eneo sawa kama sehemu asili. Sehemu zingine huenda zisitekeleze vilevile, zinaweza kuharibu kitengo, na inaweza kusababisha majeraha.
- Usigonge gurudumu la kuongeza kasi ya injini kwa nyundo au kifaa kigumu kwa sababu gurudumu la kuongeza kasi ya injini linaweza kuvunjika wakati wa kuendesha.

**Wakati wa kujaribu cheche:**

- Tumia kijaribio cha kuziba cheche kilichoidhinishwa.
- Usikague injini wakati kuziba cheche imeondolewa.

## Huduma ya Udhhibiti wa Uchafuzi

**Udumishaji, ubadilishaji, au ukarabati wa vifaa vya kudhibiti uchafuzi na mifumo inaweza kutekelezwa na mtu binafsi au uzindaji wowote wa ukarabati wa injini ya nje ya barabarani.** Hata hivyo, ili kupata huduma ya kudhibiti uchafuzi ya "" bila malipo, lazima kazi ifanywe na mtoa huduma aliyeidhinishwa na kiwanda. Tazama Taarifa ya Udhhibiti wa Uchafuzi.

## Ratiba ya Udumishaji

Kila Baada ya Saa 8 au Kila siku
<ul style="list-style-type: none"> <li>• Angalia kiwango cha mafuta ya injini</li> <li>• Safisha maeneo yaliyo karibu na mafuta na vidhibiti</li> </ul>
Kila Baada ya Saa 100 au Kila mwaka
<ul style="list-style-type: none"> <li>• Badilisha kuziba cheche</li> <li>• Badilisha mafuta ya injini</li> <li>• Badilisha kichujio cha mafuta (iwapo kipo)</li> <li>• Shughulikia kichujio cha chewa <sup>1,2</sup></li> <li>• Safisha kisafishaji cha mwanzo (iwapo kipo) <sup>1</sup></li> <li>• Shughulikia mfumo wa eneo la injini la kutolea moshi</li> </ul>
Kila baada ya Saa 250
<ul style="list-style-type: none"> <li>• Angalia uondoaji wa vali. Rekebisha ikiwa ni muhimu.</li> </ul>
Kila Baada ya Saa 400 au Kila mwaka
<ul style="list-style-type: none"> <li>• Badilisha kichuja hewa <sup>2</sup></li> <li>• Badilisha kichuja fueli</li> <li>• Shughulikia mfumo wa kupoesha <sup>1</sup></li> <li>• Safisha mapezi ya kupoza hewa <sup>1</sup></li> </ul>
Kila Baada ya Saa 600 au Kila mwaka
<ul style="list-style-type: none"> <li>• Badilisha kichujio cha usalama (iwapo kipo)</li> </ul>

<sup>1</sup> Katika hali ya vumbi au uchafu unaosambazwa na hewa upo, safisha mara kwa mara.

<sup>2</sup> Kila kichujio cha hewa cha tatu hubadilika, badilisha kichujio cha usalama cha ndani (iwapo ipo).

## Mfumo wa Elektroniki wa Utiaji Fueli (EFI)

Mfumo wa EFI huchunguza halijoto ya injini, kasi, na volteji ya betri kwa kuanzisha injini na kupasha joto. Hakuna marekebisho kwenye mfumo. Matatizo ya kuanza au uendeshaji yakitokea, wasiliana na Mhudumu Aliyehidhinishwa wa Briggs & Stratton.

**Notisi** Hakikisha kuwa umefuata hatua zilizo hapa chini au huenda Mfumo wa EFI umeharibika.

- Usiwahi kuanza injini kebo za betri zikiwa zimelegea.
- Geuza ufunguo upande wa kuzima kabla ya kutenganisha, kuondoa na kusakinisha betri.
- Usiwahi kutumia chaja ya betri kuanzisha injini.
- Usiwahi kutenganisha kebo za betri huku injini ikiwa inafanya kazi.
- Unapounganisha kebo za betri, kwanza unganisha kebo chanya (+) kisha uunganishe kebo hasi (-) kwenye betri.
- Unapochaji betri, geuza swichi ya moto upande wa kuzima na utenganishe kebo hasi ya betri (-) kutoka kwenye betri.
- Usinyunyize maji moja kwa moja kwenye Moduli ya Kidhibiti cha Elektroniki.

## Kabureta na Kasi ya Injini

Kamwe usifanye marekebisha kwenye kabureta au kasi ya injini. Kabureta iliwekwa kwenye kiwanda kufanya kazi kwa ufanisi chini ya masharti mengi. Usihitilafiane na springi ya kidhibiti, uhusiano au sehemu nyingine ili kubadilisha kasi ya injini. Iwapo marekebisha yoyote yanahitajika wasiliana na Mtoa Huduma wa Briggs & Stratton Aliyeidhinishwa kwa huduma.

**Notisi** Mtengenezaji wa kifaa hubainisha kasi ya juu ya injini kama ilivyosakinishwa kwenye kifaa. **Usizidi** kasi hii. Iwapo huna uhakika kasi ya juu ya kifaa hiki ni ipi, au kasi ya injini imewekwa kwa kutoka kwenye kiwanda, wasiliana na Mtoa Huduma wa Briggs & Stratton Aliyeidhinishwa kwa usaidizi. Kwa oparesheni salama na sahihi ya kifaa, kasi ya injini inafaa kurekebishwa na mtaalam wa huduma aliyehitimu tu.

## Shughulikia Kuziba Cheche

Tazama Kielelezo: 8

Angalia nafasi iliyo na kipimo (B) (A, Kielelezo 8). Iwapo ni muhimu, weka upya nafasi. Sakinisha na ukaze kuziba cheche katika toku iliyopendekezwa. Kwa uwekaji wa nafasi au toku, tazama Vipimo **sehemu**.

**Kumbuka:** Katika baadhi ya maeneo, sheria ya ndani huhitaji kutumia kuziba cheche ambayo haihitaji nishati ili kupunga ishara za kuwaka. Iwapo injini hii ilikuwa na kuziba cheche ambayo haihitaji nishati mwanzoni, tumia aina sawa kwa ubadilishaji.

## Shughulikia Mfumo wa Eneo la kutolea moshi



**Injini inayoendesha inazalisha joto. Sehemu za injini, hususan mafla, huwa moto zaidi.**

**Kuchomeka vikali kunaweza kusababishwa unapogusana nazo.**

**Uchafu unaoweza kuwaka, kama vile majani, nyasi, brashi n.k. unaweza kushika moto.**

- Ruhusu mafla, silinda na mapezi ya injini kupoa kabla ya kugusa.
- Ondoa uchafu uliokusanyika kutoka kwenye eneo la mafla na eneo la silinda.
- Ni ukiukaji wa Msimbo wa Rasilimali wa Umma wa California, Sehemu ya 4442, kutumia au kuendesha injini katika eneo linazungukwa na msitu, lililozungukwa na brashi, au lililo na nyasi isipokuwa mfumo wa eneo la kutolea moshi una kishika cheche, kama ilivyofafanuliwa kwenye Sehemu ya 4442, iliyodumishwa kwenye mpangilio wenye ufanisi wa kufanya kazi. Mamlaka mengine ya Majimbo au shirikisho yanaweza kuwa sheria sawa. Wasiliana na mtengenezaji wa kifaa asili, muuzaji wa rejareja, au mtoa huduma ili kupata kishika cheche kilichobuniwa kwa mfumo wa eneo la kutolea moshi uliosakinishwa kwenye injini hii.

Ondoa uchafu uliokusanyika kutoka kwenye mafla na eneo la silinda. Kagua mafla kwa nyufa, kutia kutu, au uharibifu mwingine. Ondoa kifaa cha kusonga au kishika cheche, iwapo kipo, na ukague kwa uharibifu au uzuiji wa kaboni. Iwapo uharibifu utapatikana, sakinisha sehemu za ubadilishaji kabla ya kuendesha.



**Onyo**  
Sehemu za ubadilishaji lazima ziwe sawa na zilizosakinishwa katika eneo sawa kama sehemu asili. Sehemu zingine huenda zisitekeleze vilevile, zinaweza kuharibu kitengo, na inaweza kusababisha majeraha.

## Badilisha Mafuta ya Injini

Tazama Kelelezo: 9, 10, 11

Mafuta yaliyotumiwa ni bidhaa taka yenye madhara na lazima itupwe vizuri. Usitupe pamoja na taka ya nyumbani. Wasiliana na mamlaka yako ya ndani, kituo cha usaidizi au mtoa huduma kwa utupaji/kutumia upya salama kwa bidhaa.

### Ondoa Mafuta

- Injini ikiwa bado ina joto, tunganisha waya ya kuziba cheche na uihifadhi mbali na kuziba cheche (E) (D, Kielelezo 9).
- Ondoa kifaa cha kupima mafuta (A, Kielelezo 10).
- Ondoa kiziba cha kutoa mafuta (F, Kielelezo 11). Weka mafuta kwenye kontena iliyoidhinishwa.

- Baada ya mafuta kutolewa, sakinisha na ukaze kiziba cha kutoa mafuta (F, Kielelezo 11).

## Badilisha Kichujio cha Mafuta, iwapo kipo

Baadhi ya modeli zina kichujio cha mafuta. Kwa vipindi vya ubadilishaji, tazama Ratiba ya **Udumishaji**.

- Toa mafuta kutoka kwenye injini. Tazama eneo **la Kuondoa Mafuta**.
- Ondoa kichujio cha mafuta (G, Kielelezo 11) na ukitupe vizuri.
- Kabla usakinishe kichujio kipya cha mafuta, lainisha kiasi kwa kifaa cha kichujio cha mafuta kwa mafuta freshi na safi.
- Sakinisha kichujio cha mafuta kwa mkono hadi kifaa kigiswane na adapta ya kichujio cha mafuta, kisha kaza kichujio cha mafuta kwa mizunguko 1/2 hadi 3/4.
- Ongeza mafuta. Tazama sehemu **Ongeza Mafuta**.
- Washa na uendeshe injini. Wakati injini inachemka, angali uvujaji wa mafuta.
- Zima injini na uangalie kiwango cha mafuta. Kiwango sahihi cha mafuta kiko juu ya kiashiria kilichojaa kwenye kifaa cha kuangalia kiwango cha mafuta (B, Kielelezo 10) kwenye kifaa cha kuangalia kiwango cha mafuta.

## Ongeza Mafuta

- Hakikisha kuwa mtambo uko katika kiwango.
- Safisha eneo la kujaza mafuta kutokana na uchafu wowote.
- Tazama Vipimo **katika eneo** la kiwango cha mafuta.

- Ondoa kifaa cha kuangalia kiwango cha mafuta (A, Kielelezo 10) na upanguse kwa kitambaa safi.
- Polepole weka mafuta kwenye eneo la kuweka mafuta la injini (C, Kielelezo 10). **Usijaze kupita kiasi.** Baada ya kuongeza mafuta, subiri dakika moja na kisha angalia kiwango cha mafuta.
- Sakinisha na ukaze kifaa cha kuangalia kiwango cha mafuta (A, Kielelezo 10).
- Ondoa kifaa cha kupima mafuta na ukague kiwango cha mafuta. Kiwango sahihi cha mafuta kiko juu ya kiashiria kilichojaa kwenye kifaa cha kuangalia kiwango cha mafuta (B, Kielelezo 10) kwenye kifaa cha kuangalia kiwango cha mafuta.
- Sakinisha upya na ukaze kifaa cha kuangalia kiwango cha mafuta (A, Kielelezo 10).
- Unganisha waya ya kuziba cheche kwenye kuziba cheche (E), (D, Kielelezo 9).

## Shughulikia Kichuja Hewa

Tazama Kelelezo: 12, 13



**Fueli na mvuke wake unawaka na kulipuka hara sana.**

**Moto au mlipuko unaweza kusababisha kuchomeka vikali au kifo.**

- Kamwe usiwashie na kuendesha wakati uunganishaji wa kisafisha hewa (iwapo kipo) au kichuja hewa (iwapo kipo) kimeondolewa.

**Notisi** Usitumie hewa au majimaji yaliyoshinikizwa kusafisha kichujio. Hewa iliyoshinikizwa inaweza kuharibu kichujio na majimaji yatayeyusha kichujio.

Tazama Ratiba ya **Udumishaji** wa mahitaji ya huduma.

Modeli mbalimbali aidha zinatumia povu au kichujio cha karatasi. Baadhi ya modeli pia zinaweza kuwa na kisafishaji cha mwanzo cha hiari ambacho kinaweza kusafisha na kutumiwa tena. Linganisha mifano kwenye mwongozo na aina iliyosakinishwa kwenye injini yako na ushughulikia kama ifuatavyo.

## Kichujio cha Hewa cha Karatasi

- Fungua bizimu (A, Kielelezo 12) na uondoe kifuniko (B).
- Ondoa kichujio cha hewa (C, Kielelezo 12).
- Ili kulegeza uchafu, kwa utaratibu gonga kichujio cha hewa katika eneo gumu. Iwapo kichujio cha hewa ni kichafu kupita kiasi, badilisha kwa kichujio kipya cha hewa
- Ondoa kichujio cha usalama (D, Kielelezo 12), iwapo kipo, kivute kwa utaratibu kutoka kwenye mwili wa kisafishaji cha hewa (E). Hakikisha kuwa uchafu au mabaki hayaingii kwenye mtambo.
- Sakinisha kichujio cha usalama (D, Kielelezo 12) katika mwili wa kisafishaji cha hewa (E).
- Sakinisha kichujio cha hewa (C, Kielelezo 12) kwenye kichujio cha usalama (D).
- Sakinisha jalada (B, Kielelezo 12) na ufunge bizimu (A).

## Kichujio cha Hewa cha Karatasi

1. Ondoa bizimu (A, Kielelezo 13).
2. Ondoa kifuniko (B, Kielelezo 13).
3. Ondoa bizimu (C, Kielelezo 13) na kishikilaji (D).
4. Ondoa kichujio cha hewa (E, Kielelezo 13).
5. Ondoa kisafishaji cha mwanzo (F, Kielelezo 13), iwapo kipo, kutoka kwenye kichujio cha hewa (E).
6. Ili kulegeza uchafu, kwa utaratibu gonga kichujio cha hewa (E, Kielelezo, 13) kwenye eneo gumu. Iwapo kichujio cha hewa ni kichafu kupita kiasi, badilisha kwa kichujio kipya cha hewa
7. Osha kisafishaji cha mwanzo (F, Kielelezo 13), iwapo kipo, kwenye sabuni oevu na maji. Ruhusu kisafishaji cha mwanzo kukauka kabisa. **Usiweke mafuta** kwenye kisafishaji cha mwanzo.
8. Sakinisha kisafishaji cha mwanzo kilichokauka (F, Kielelezo 13), ikiwa kipo, kwenye kichujio cha hewa (E).
9. Sakinisha kichujio cha hewa (E, Kielelezo 13) na kuweka salama kwa kishikilaji (D) na bizimu (C).
10. Sakinisha jalada (B, Kielelezo 13) na ulinde kwa bizimu(s) (A). Hakikisha bizimu imekazwa.

## Fanyia huduma Mfumo wa Mafuta

Tazama Kielelezo: 14



Onyo

**Mafuta na mvuke wake unaweza kuwaka moto na kulipuka kwa haraka sana.**

**Moto au mlipuko unaweza kusababisha majeraha mabaya ya kuchomeka au kifo.**

- Weka mafuta mbali na spaki, moto ulio wazi, taa za gesi, joto, na vyanzo vingine vya mwako.
- Kagua njia za mafuta, tangi, kifuniko na sehemu nyingine mara kwa mara ili uone kama kuna nyufa na uvujaji. Badilisha kama itahitajika.
- Kabla ya kusafisha au kubadilisha kichujio cha mafuta, mimina mafuta kutoka kwa tangi ya mafuta au ufunge vali ya kuzuia mafuta.
- Mafuta yakimwagika, subiri mpaka pale ambapo yatavukiza kabla ya kuwasha injini.
- Sehemu za ubadilishaji lazima ziwe sawa na zilizosakinishwa kwa namna sawa na sehemu asili.

## Kichujio cha Mafuta, iwapo kipo

1. Kabla ya kubadilisha kichujio cha mafuta (A, Kielelezo 14), iwapo kipo, mimina mafuta kutoka kwa tangi la mafutai au funga vali ya kuzuia mafuta. La siyvo, mafuta yanaweza kuvuja na kusababisha moto au mlipuko.
2. Tumia koleo kubana vichupo (B, Kielelezo 14) kwenye vibanio (C), kisha telezesha vibanio kutoka kwenye kichujio cha fueli (A). Zungusha na uvute njia za mfuta (D) kutoka kwenye kichujio cha mafuta.
3. Kagua njia za mfuta (D, Kielelezo 14) ili uone kamakuna nyufa au uvujaji. Badilisha kama itahitajika.
4. Badilisha kichujio cha mafuta (A, Kielelezo 14) kwa kichujio halisi cha kubadilisha sehemu.
5. Linda njia za mfuta (D, Kielelezo 14) kwa vibanio (C) kama inavyoonyeshwa.

## Shughulikia Mfumo wa Kupoesha

Tazama Kelelezo: 15, 16



Onyo

**Injini inayoendesha inazalisha joto. Sehemu za injini, hususan mafuta, huwa moto zaidi.**

**Kuchomeka vikali kunaweza kusababishwa unapogusana nazo.**

**Uchafu unaoeweza kuwaka, kama vile majani, nyasi, brashi, n.k., unaweza kushika moto.**

- Ruhusu mafuta, silinda na mapezi ya injini kupoa kabla ya kugusa.
- Ondoa uchafu uliokusanyika kutoka kwenye eneo la mafuta na eneo la silinda.

**Notisi** Usitumie maji kusafisha injini. Maji yanaweza kuchafua mfumo wa fueli. Tumia brashi au kitambaa kilichokauka kusafisha injini.

Hii ni injini inayopoeshwa na hewa. Uchafu unaweza kuzuia mtiririko wa hewa na kusababisha injini kuchemka kupita kiasi, na kusababisha utendakazi mbaya na kupunguza maisha ya injini.

1. Tumia brashi au kitambaa kilichokauka kuondoa uchafu kutoka kwenye eneo la kuingiza hewa (A, Kielelezo 15).
2. Weka uhusiano, springi na vidhibiti safi (B, Kielelezo 15, 16).
3. Weka ene lililo karibu na nyuma ya mafuta (C, Kielelezo 15, 16), kutokuwa na uchafu wowote unaoeweza kuwaka.
4. Hakikisha mapezi ya kutuliza mafuta (D, Kielelezo 15) hayana uchafu au mabaki.
5. Legeza bizimu (E, Kielelezo 16) hadi usikie mbofyo. Ondoa paneli (F) na usafishe eneo lenye uchafu na mabaki. Hakikisha kuwa sehemu ya chini ya paneli ni safi pia.
6. Sakinisha paneli (F, Kielelezo 16) na ulinde kwa bizimu (E). Kaza bizimu hadi usikie mbofyo.

Baada ya kipindi cha muda, uchafu unaweza kukusanyika kwenye mapezi ya kupoesha silinda na kusababisha injini kuwa moto kushinda kiasi. Uchafu huu hauwezi kuondolewa bila kutokusanyika kwa kiasi fulani kwa injini. Ruhusu Mtoa Huduma wa Briggs & Stratton Aliyeidhinishwa kukagua na kusafisha mfumo wa kutuliza hewa kama ilivyopendekezwa kwenye Ratiba ya **Udumishaji**.

## Hifadhi



Onyo

**Mafuta na mvuke wake unaweza kuwaka moto na kulipuka kwa haraka sana.**

**Moto au mlipuko unaweza kusababisha majeraha mabaya kuchomeka au kifo.**

### Wakati wa Kuhifadhi Mafuta Au Kifaa Kilicho na Mafuta Kwenye Tangi

- Hifadhi mbali na tanuu, stovu, hita za kuchemshia maji, au vitu vingine ambavyo vina taa za moto au vyanzo vya mwako kwa sababu vinaweza kuwasha moto kwenye mvuke wa mafuta.

### Mfumo wa Mafuta

Tazama Kielelezo: 17

Hifadhi kiwango cha injini (mkao wa kawaida wa kuendesha). Jaza tangi la mafuta (A, Kielelezo 17) kwa mafuta. Ili kuruhusu uvukizi wa mafuta, usijaze kupita chini ya shingo ya tangi la mafuta (B).

Mafuta yanaweza kuharibika yakihifadhiwa kwa zaidi ya siku 30. Mafuta yaliyoharibika yanasababisha mabaki ya asidi na gundi kukusanyika katika mfumo wa mafuta au kwenye sehemu muhimu za kabureta. Ili kuhifadhi usafi wa mafuta, tumia **Briggs & Stratton Advanced Formula Fuel Treatment & Stabilizer**, inayopatikana mahali popote ambapo sehemu halisi za Briggs & Stratton zinazauwa.

Hakuna haja ya kumwaga petroli kutoka kwenye injini ikiwa kiimarishaji mafuta kimeongezwa kulingana na maagizo. Endesha injini kwa dakika mbili (2) ili kuenza kiimarishaji kote kwenye mfumo wa mafuta kabla ya kuhifadhi.

Ikiwa petroli ilio kwenye injini haijatiwi kwa kiimarishaji mafuta, ni lazima imiminwe kwenye kontena iliyoidhinishwa. Endesha injini hadi isimame kutokana na ukosefu wa mafuta. Matumizi ya kiimarishaji mafuta kwenye kontena ya uhifadhi yanapendekezwa ili kudumisha usafi.

### Mafuta ya Injini

Wakati injini bado ina joto, badilisha mafuta ya injini. Tazama sehemu **Kubadilisha Mafuta ya Injini**.

## Utafutatuza

Kwa usaidizi, wasiliana na mhadumu wa karibu au nenda kwenye **VanguardEngines.com** au piga **1-800-999-9333** (Marekani).

## Vipimo

Modeli: 540000	
Umbali	54.68 ci (896 cc)
Kuzalisha	3.366 in (85,5 mm)
Mpigo	3.071 in (78,0 mm)
Kiwango cha Mafuta	78 - 80 oz (2,3 - 2,4 L)



Modeli: 540000	
Nafasi ya Kuziba Cheche	.030 in (,76 mm)
Toku ya Kuziba Cheche	180 lb-in (20 Nm)
Nafasi ya Koili inayozunguka ya Hewa	.005 - .008 in (,13 - ,20 mm)
Uingizaji wa Vali ya Kuingiza hewa	.004 - .006 in (,10 - ,15 mm)
Uondoaji wa Vali ya Eneo la Kutolea moshi	.007 - .009 in (,18 - ,23 mm)

Modeli: 610000, 61E100	
Umbali	60.60 ci (993 cc)
Kuzalisha	3.366 in (85,5 mm)
Mpigo	3.406 in (86,5 mm)
Kiwango cha Mafuta	78 - 80 oz (2,3 - 2,4 L)
Nafasi ya Kuziba Cheche	.030 in (,76 mm)
Toku ya Kuziba Cheche	180 lb-in (20 Nm)
Pengo la Hewa la Armature - Modeli za Kabureta	.005 - .008 in (,13 - ,20 mm)
Uingizaji wa Vali ya Kuingiza hewa	.004 - .006 in (,10 - ,15 mm)
Uondoaji wa Vali ya Eneo la Kutolea moshi	.007 - .009 in (,18 - ,23 mm)

Nguvu ya injini utapungua kwa 3.5% kwa kila futi 1,000 (mita 300) juu ya mwinuko wa bahari na 1% kwa kila 10° F (5.6° C) juu ya 77° F (25° C). Injini itaendesha kwa kuridhisha katika pembe ya hadi 15°. Rejelea mwongozo wa mhudumu wa kifaa kwa viwango salama vinavyoruhusiwa kwenye mteremko.

Sehemu ya Huduma - Modeli: 540000, 610000, 61E100	
Sehemu ya Huduma	Nambari ya Sehemu
Kichujio cha Hewa cha Tufani, (Kielelezo 12)	841497
Kichujio cha Usalama cha Tufani, (Kielelezo 12)	821136
Kichujio cha Hewa, Kiwango cha Chini (Kielelezo 13)	692519
Kisafishaji cha mwanzo, Kiwango cha Chini (Kielelezo 13)	692520
Mafuta - SAE 30	100028
Kichuja Hewa	842921
Kiimarishaji na Matibabu ya Fomula ya Fueli Yaliyoboreshwa	100117, 100120
Kichujio cha Fueli	691035
Kuziba Cheche ya Kifaa kisichopitisha nishati	491055
Kuziba Cheche ya Platinamu ya Maisha Marefu	5066
Kifaa kinachotumiwa kutega Kuziba Cheche	19374
Kijaribio cha Cheche	19368

Tunapendekeza kuwa umwone Mtoa Huduma yeyote wa Briggs & Stratton Aliyeidhinishwa kwa udumishaji na huduma zote za injini na sehemu za injini.

**Ukadiriaji wa Nishati:** Ukadiriaji wa pato la nishati kwa kila modeli ya injini ya petroli imewekwa alama kwa kuzingatia SAE (Jumuiya ya Wahandisi wa Magari) msimbo J1940 Nishati ya Injini Ndogo & Utaratibu wa Ukadiriaji wa Toku, na umekadiriwa kwa kuzingatia SAE J1995. Thamani ya toku inafikia 2600 RPM kwa injini hizi kwa "rpm" iliyowekwa kwenye lebo na 3060 RPM kwa vingine vote; thamani ya nishati ya chaja inafikia 3600 RPM. Vizingo vya mapato ya nishati vinaweza kutazamwa katika [www.BRIGGSandSTRATTON.COM](http://www.BRIGGSandSTRATTON.COM). Thamani halisi ya nishati inachukuliwa kwa eneo la injini la kutolea injini na kisafishaji wa injini iliyosakinishwa ambapo thamani ya mapato ya injini yanakusanywa bila viambatisho hivi. Mapato halisi ya nishati ya injini yatakuwa juu kuliko nishati ya injini na yanaathiriwa na, miongoni mwa mambo mengine, hali iliyoko ya kuendesha na utofauti wa injini hadi nyingine. Kwa kuwa mpangilio mpana wa bidhaa ambayo injini imewekwa, injini ya petroli inaweza kuwa na mapato ya nishati iliyokadiriwa wakati inatumika katika kifaa fulani cha nishati. Tofauti hii inatokana na sababu mbalimbali zikijumuisha, lakini zisizokithi kwa, vijenzi mbalimbali vya injini (kisafishaji cha hewa, eneo la injini la kutolea moshi, pampu ya fueli n.k.), upungufu wa utekelezaji, hali zilizoko za kuendesha (hali joto, unyevunyevu, mwinuko), na utofauti wa injini hadi injini. Kutokana na upungufu wa utengenezaji na viwango, Briggs & Stratton inaweza kubadilisha injini na nishati iliyokadiriwa juu kwa injini hii.

## Udhamini

### Udhamini wa Injini ya Briggs & Stratton

Kuanza Januari 2017

#### Udhamini Pungufu

Udhamini wa Briggs & Stratton ambao, wakati wa kipindi cha udhamini kilichobainishwa hapa chini, zitakarabati au kubadilisha, bila malipo, sehemu yoyote ambayo ina matatizo katika nyanzo au wafanyakazi au vyote viwili. Gharama za usafirishaji wa bidhaa zilizowasilishwa kwa ukarabati au ubadilishaji chini ya udhamini lazima zilipwe na mnuuzi. Udhamini huu unanza kwa na unategemea vipindi vya muda au masharti yaliyoelezwa hapa chini. Kwa huduma ya udhamini, tafuta muuzaji aliyethibitishwa karibu na wewe katika ramani iliyo kwenye tovuti yetu ya [BRIGGSandSTRATTON.COM](http://BRIGGSandSTRATTON.COM). Lazima mnuuzi awasiliane na Muuzaji mwenye Idhini ya Huduma, na kisha apeleke bidhaa kwa Muuzaji mwenye Idhini ya Kukarabati kwa ukaguzi na majaribio. {X}

**Hakuna udhamini mwingine wa haraka. Udhamini ulioashiriwa, ikiwa ni pamoja na ule wa uuzaji na uzima fulani kwa lengo fulani, zina upungufu wa muda ulioorodheshwa hapo chini, au kwa kiasi kilichoruhusiwa na sheria.** Wajibu kwa uharibifu ulioletwa na shughuli au matokeo ya matumizi zimetengwa kwa kiasi zinaruhusiwa na sheria. Baadhi ya majimbo au nchi haziruhusu upungufu unaoamua udhamini ulioashiriwa unakuwa halali kwa muda muda, na baadhi ya majimbo au nchi haziruhusu ukwepaji au uzuiaji wa uharibifu ulioletwa na shughuli au matokeo ya matumizi, kwa hivyo uzuiaji na ukwepaji unaweza kuwa hauko halali kwako. Udhamini huu hupeana haki maalum za kisheria na pia unaweza kuwa na haki zingine ambazo zinatofautiana kutoka kwenye jimbo hadi jingine na nchi hadi nyingine <sup>4</sup>.

#### Masharti Wastani ya Udhamini 1, 2, 3

Chapa / Jina la Bidhaa	Matumizi ya Mtumiaji	Matumizi ya Kibiashara
Mfululizo wa Shughuli za Kibiashara za Vanguard™	Miezi 36	Miezi 36
Injini Zinazoangazia Dura-Bore™ Cast Iron Sleeve	Miezi 24	Miezi 12
Injini Nyingine Zote	Miezi 24	Miezi 3

<sup>1</sup>Haya ni masharti yetu wastani ya udhamini, lakini mara kwa mara kunaweza kuwa na bima ya ziada ya udhamini ambayo haikuthibitishwa wakati wa uchapishaji. Kwa uorodheshaji wa masharti ya udhamini ya injini yako, nenda kwenye [BRIGGSandSTRATTON.com](http://BRIGGSandSTRATTON.com) au wasiliana na Mtoa Huduma wako wa Briggs & Stratton Aliyeidhinishwa.

<sup>2</sup> Hakuna udhamini kwa injini kwa vifaa vilivyotumiwa kwa nguvu kuu katika mahali pa shirika kwa jenereta za chelezo zinazotumiwa kwa malengo ya kibiashara. Injini zinazotumiwa kwa mashindano ya uendeshaji au malori ya kibiashara au ya kukodisha hayadhaminiwi.

<sup>3</sup> Vanguard imesakinishwa kwenye jenereta za chelezo: Matumizi ya mtumiaji ya miezi 24, hakuna udhamini wa matumizi ya kibiashara. Vanguard imesakinishwa kwenye magari ya shirika: Matumizi ya mtumiaji ya miezi 24, matumizi ya kibiashara ya miezi 24. Mfululizo wa Kibiashara na tarehe ya uzalishaji kabla ya Julai 2017, miezi 24 ya matumizi ya mtumiaji, miezi 24 ya utumiaji wa kibiashara.

<sup>4</sup> Nchini Australia - Bidhaa zetu huja na hakikisho ambalo halilwezi kutojumuishwa chini ya Sheria ya Mtumiaji ya Australia. Una haki ya kubadilishwa au kurudishiwa pesa kwa hitilafu kuu au fidia kwa uharibifu au hasara nyingine yoyote ya siku za usoni. Pia una haki ya bidhaa kukarabatiwa au kubadilishwa iwapo bidhaa hazitakuwa za ubora unaokubaliwa na hitilafu haimaanishi kuna hitilafu kubwa. Kwa huduma ya udhamini, tafuta Mtoa Huduma Aliyeidhinishwa wa karibu kwenye ramani yetu ya mtoa huduma katika [BRIGGSandSTRATTON.COM](http://BRIGGSandSTRATTON.COM), au kwa kupiga simu 1300 274 447, au kwa kutuma barua pepe au kuandika kwa [alesenquiries@briggsandstratton.com.au](mailto:alesenquiries@briggsandstratton.com.au), Briggs & Stratton Australia Pty Ltd, 1 Moorebank Avenue, Moorebank, NSW, Australia, 2170.

Kipindi cha udhamini huanza tarehe asili ya ununuzi kwa mtumiaji wa rejareja au wa biashara wa kwanza. "Matumizi ya Mtumiaji" humaanisha matumizi ya kibinafsi ya familia ya makazi na mtumiaji wa rejareja. "Matumizi ya kibiashara" humaanisha matumizi mengine yote, yakijumuisha ya kibiashara, malengo ya kuzalisha mapato au ya kukodisha. Pindi tu injini imepitia matumizi ya kibiashara, kuanzia hapo itachukuliwa kama injini ya matumizi ya kibiashara kwa malengo ya udhamini huu.

**Hifadhi risiti yako ya ushahidi wa ununuzi. Iwapo hutatoa ushahidi wa tarehe ya kwanza ya ununuzi wakati huduma ya udhamini inaombwa, tarehe ya utengenezaji wa bidhaa itatumikiwa kuthibitisha kipindi cha udhamini. Usajili wa bidhaa hautajiki katika kupokea huduma ya udhamini kwenye bidhaa za Briggs & Stratton.**

#### Kuhusu Udhamini Wako

Udhamini huu wa kipimo hushughulikia nyanzo zinazohusiana na masuala ya injini na/au kazi ya miko tu, na sio ubadilishaji au urudishaji pesa ya vifaa ambavyo injini inaweza kuwa imewekwa. Udumishaji, usawazishaji, marekebesho au kuisha na kuraruka kwa kawaida kwa kila mara hakushughulikiwa chini ya udhamini huu. Vile vile, udhamini hautumiki iwapo injini imebadilishwa au kurekebishwa au iwapo nambari ya siri ya injini imeharibiwa au kuondolewa. Udhamini huu haushughuliki uharibifu wa injini au matatizo ya utendakazi yanayosababishwa na:

1. Matumizi ya sehemu ambazo sio sehemu asili za Briggs & Stratton;
2. Kuendesha injini zilizo na upungufu, zilizo chafuliwa, au gredi isiyo sahihi au ya mafuta ya kulainisha;
3. Matumizi ya fueli iliyo chafuliwa au yaliyotumika, petroli yaliyotengenezwa kwa zaidi ya 10% ya ethanol, au matumizi ya fueli mbadala kama vile petroli iliyo evuka au

gesi asili kwenye injini isiyobuniwa/kutengenezwa kiasili na Briggs & Stratton kuendesha kwa fueli hizo;

4. Uchafu ulioingia kwenye injini kwa sababu ya udumishaji wa kisafishaji hewa kisichofaa au kukusanywa upya;
5. Kugonga kifaa kwa bapa za kukata za mashine ya kukata nyasi, adapta, impela au vifaa vingine vya fitikombo ya pamoja au ukazaji wa kupita kiasi wa v-belt;
6. Sehemu zinazohusiana au vifaa vingine kama vile klachi, visambazaji, vidhibiti vya kifaa, nk., ambavyo havisambazwi na Briggs & Stratton;
7. Kuchemka kupita kiasi kutokana kukata kwa nyasi, uchafu na vifusi vya , au viota vya panya ambavyo huziba au kufunika vifaa vya kupoeshwa au eneo ya gurudumu la kuongeza kasi, au injini inayoendesha bila uingizaji hewa wa kutosha;
8. Mtetemo wa kupita kiasi kutokana kuendesha kwa kasi zaidi, uwekaji injini uliolekea, bapa za kukata au impela zisizotoshana, au uunganishaji usio sawa wa nyenzo za vifaa kwenye fitikombo;
9. Matumizi mabaya, ukosefu wa udumishaji wa kila mara, uletaji kwa meli, utunzaji, au uhifadhi wa kifaa, au usakinishaji wa injini usio sahihi.

**Huduma ya udhamini inapatikana tu kupitia katika Wauzaji wa Huduma Walioidhinishwa kutoka Briggs & Stratton. Tafuta Mtoa Huduma wetu Aliyeidhinishwa kwenye ramani yetu ya kutafuta mtoa huduma katika BRIGGSandSTRATTON.COM au kupiga simu 1-800-233-3723 (Marekani).**

80008256 (Rev. C)

Not for  
Reproduction

حقوق الطبع والتأليف © محفوظة لصالح شركة Briggs & Stratton ميلواكي، ويسكونسن، الولايات المتحدة الأمريكية. جميع الحقوق محفوظة.

يحتوي هذا الدليل على معلومات الأمان التي تساعدك على الانتباه لمصادر الخطورة والمخاطر المصاحبة للتعامل مع المحركات وكيفية تفاديها. كما يحتوي هذا الدليل أيضاً على إرشادات تتعلق بالاستخدام الأمثل للمحرك والعناية الصحيحة به. ونظراً لأن شركة Briggs & Stratton Corporation لا تعرف بالضرورة طبيعة المعدة التي سيقوم هذا المحرك بتشغيلها، فمن الضروري أن تقوم بقراءة وفهم هذه الإرشادات إلى جانب الإرشادات الخاصة بالمعدة. احتفظ بهذه التعليمات الأصلية للرجوع إليها مستقبلاً.

ملاحظة: إن الأشكال والرسوم التوضيحية الواردة في هذا الدليل تم إرفاقها كمرجع وحسب، وقد تختلف عن الموديل خاصتك. وإذا كانت لديك أي أسئلة، فسيكتفل وكيلنا بالإجابة عليها بمجرد التواصل معه.

وللحصول على قطع الغيار أو أي مساعدة فنية، قم بتسجيل موديل المحرك، ونوعه، وأرقام الأكواد، إضافة إلى تاريخ الشراء أدناه. وستجد هذه الأرقام مدونة على المحرك (راجع قسم الميزات وعناصر التحكم).

تاريخ الشراء	موديل المحرك - النوع - الكود	الرقم التسلسلي للمحرك



ابحث عن الباركود ثنائي البعد الموجود على بعض المحركات. وعند قراءة الباركود بالجهاز المخصص لذلك، سيظهر لك موقعنا الإلكتروني حيث يمكنك الدخول إلى معلومات الدعم الخاصة بهذا المنتج. تُطبق أسعار البيانات. وقد لا تكون معلومات الدعم متاحة عبر الإنترنت في بعض الدول.

## معلومات إعادة التدوير

يجب إعادة تدوير كافة مواد التغليف والزيوت والبطاريات المستعملة وفقاً للوائح الحكومية المطبقة.		
---	--	--

## أمان المشغل

### رمز تنبيه السلامة وكلمات اللافتات التحذيرية

يُستخدم رمز تنبيه الأمان للإشارة إلى معلومات أمان بشأن الأخطار التي قد تنتج عنها إصابة شخصية. تستخدم كلمة اللافتة (خطر أو تحذير أو تنبيه) مع رمز التنبيه لتحديد احتمالية وقوع الإصابة ومستوى جسامتها. إضافة إلى ذلك، يمكن أن يستخدم رمز خطر للإشارة إلى نوع الخطر.

خطر يدل على المخاطر التي إذا لم يتم تجنبها ستؤدي إلى الوفاة أو إلى إصابة خطيرة.

تحذير يدل على المخاطر التي إذا لم يتم تجنبها، فمن الممكن أن تؤدي إلى الوفاة أو إلى إصابة خطيرة.

تنبيه يشير إلى خطر إذا لم يتم تفاديه فيمكن أن يؤدي إلى إصابة بسيطة أو متوسطة.

إنذار يشير إلى موقف قد يؤدي إلى حدوث تلفيات في المنتج.

### رموز المخاطر ومعانيها

الرمز	المعنى	الرمز	المعنى
	معلومات سلامة حول مصادر الخطورة التي يمكن أن تؤدي إلى إصابة شخصية.		معلومات سلامة حول مصادر الخطورة التي يمكن أن تؤدي إلى إصابة شخصية.
	خطر انفجار		خطر حريق
	خطر أذخة سامة		خطر صدمة

الرمز	المعنى	الرمز	المعنى
	خطر سطوح ساخن		خطر نضوء - يوصى بارتداء واقى الأذن للاستخدام المطول.
	خطر أعراض مقذوفة - ارتد واقى العين.		خطر انفجار
	خطر عضة صقيع		خطر رد فعل عنيف
	خطر بتر - أجزاء متحركة		خطر كيمويات
	خطر حرارة		خطر مادة آكلة

## رسائل السلامة



تحذير

يحتوي بعض المكونات الموجودة في هذا المنتج، والملحقات الخاصة به على مواد كيميائية تعرف بالنسبة لولاية كاليفورنيا على أنها مواد مسببة للسرطان، أو تشوه الأجنة، أو غيرها من الأضرار التي تؤثر على عمليات الإنجاب. اغسل يديك بعد التعامل مع الآلة.



تحذير

يحتوي عدم المحرك الناتج عن هذا المنتج على مواد كيميائية تعرف بالنسبة لولاية كاليفورنيا على أنها مواد مسببة للسرطان، أو تشوه الأجنة، أو غيرها من الأضرار التي تؤثر على عمليات الإنجاب.



تحذير

إن محركات Briggs & Stratton غير مصممة أو صالحة للاستخدام في: مركبات السباقات الصغيرة المخصصة لألعاب المرح/التسلية؛ أو مركبات الأطفال، أو المركبات الترويحية، أو المركبات الصالحة للسير في جميع الطرق (ATVs)؛ أو الدراجات النارية؛ أو الحوامات؛ أو منتجات الطائرات؛ أو المركبات المخصصة للاستخدام في منافسات غير مرخصة من جانب Briggs & Stratton. ولمزيد من المعلومات عن المنتجات المخصصة للاستخدام في السباقات التنافسية، تفضل بزيارة موقعنا الإلكتروني [www.briggsracing.com](http://www.briggsracing.com). وللإستخدام مع مركبات الخدمة العامة والمركبات الصالحة للسير في جميع الأراضي (ATVs) يرجى الاتصال بمركز استخدامات محرك Briggs & Stratton على رقم 1-866-927-3349. قد ينتج عن الاستخدام غير السليم للمحرك وقوع إصابات خطيرة أو الوفاة.



تحذير

يعتبر الوقود والأبخرة المتصاعدة منه مواد قابلة للاشتعال والانفجار بشدة.

يمكن أن يتسبب نشوب حريق أو وقوع انفجار في التعرض لحروق شديدة أو الوفاة.

عند إضافة الوقود

- قم بإيقاف تشغيل المحرك واتركه حتى يبرد لمدة دقيقتين على الأقل قبل محاولة فك غطاء فتحة التزود بالوقود.
- قم بملء خزان الوقود في الهواء الطلق، أو في منطقة جيدة التهوية.
- لا تفرط في ملء خزان الوقود. لكي يتيح إمكانية تمدد الوقود، احرص على ألا يتجاوز مستوى الوقود الجزء السفلي من رقبة خزان الوقود.
- ابعدهم عن مصادر الشرر، ومصادر اللهب المفتوحة، والشعلات الدائمة والحرارة، وغيرها من مصادر الاشتعال الأخرى.
- افحص أنابيب الوقود، والخزان، والغطاء والتركيبات بشكل متكرر للتأكد من عدم وجود أي تشققات، أو تسريبات بها. واستبدل الأجزاء إذا اقتضت الحاجة.
- في حالة انسكاب الوقود، انتظر حتى يتبخر قبل أن تبدأ بتشغيل المحرك.

عند بدء تشغيل المحرك

- تأكد من وجود شمعة الإشعال، وكان صوت المحرك، وغطاء فتحة التزود بالوقود، ومنقى الهواء (إذا كان المحرك مجهزاً به) في أماكنها، وتأكد من تثبيتها جيداً كذلك.

- قم بتشغيل المعدة مع التأكد من وضع الواقيات في الأماكن المخصصة لها.
- ابق يدك وقديمك بعيداً عن الأجزاء الدوارة.
- اربط الشعر الطويل وانزع المجوهرات.
- لا ترتد ملابس فضفاضة، أو ملابس ذات أشرطة متدلية، أو أي أشياء يمكن أن تعلق بالأجزاء الدوارة.



يؤدي تشغيل المحركات إلى إنتاج حرارة. كما ترتفع درجة حرارة أجزاء المحرك، وبخاصة كاتم صوت المحرك بشكل كبير للغاية.

وهو ما قد يؤدي، عند ملامسة تلك الأجزاء، إلى الإصابة بحروق شديدة.

ويمكن أن تسبب المخلفات القابلة للاشتعال، مثل الأوراق الجافة، أو العشب، أو الأغصان المقطوعة الجافة، إلخ في حدوث حريق.

- اترك كاتم صوت المحرك، واسطوانة المحرك، والمراوح حتى تبرد قبل لمسها.
- قم بإزالة المخلفات المتراكمة من منطقة كاتم صوت المحرك ومنطقة الاسطوانة.
- يعد من قبيل المخالفة لقانون الموارد العامة في كاليفورنيا، القسم 4442، أن تقوم باستخدام أو تشغيل المحرك في أي أرض مغطاة بالغايات، أو بالأغصان، أو بالعشب، ما لم يكن نظام العادم مجهزاً بممانعة الشرر كما هو موضح في القسم 4442، والتأكد من قدرتها على التشغيل بطريقة فعالة. قد يكون ببعض الولايات الأخرى أو الولايات القضائية قوانين مشابهة. اتصل بالجهة الأصلية لتصنيع المعدة، أو بائع التجزئة، أو الموزع للحصول على مانعة الشرر المصممة خصيصاً لنظام العادم المثبت في هذا المحرك.



قد يؤدي تصاعد الشرر بطريقة غير مقصودة إلى حدوث حريق أو صدمة كهربية.

قد يؤدي بدء التشغيل بطريقة غير مقصودة إلى تشابك الأطراف، أو بترها، أو تمزقها.

خطر الحريق

قبل إجراء أعمال الضبط، أو الإصلاحات:

- افصل سلك شمعة الإشعال وابقه بعيداً عنها.
- افصل الطرف الموجب للبطارية (في المحركات المزودة ببادئ تشغيل كهربية).
- استخدم الأدوات المناسبة فقط.
- لا تعبث بالزئيرك الحاكم، أو الوصلات، أو أي أجزاء أخرى لزيادة سرعة المحرك.
- يجب أن تكون قطع الغيار البديلة من نفس التصميم، وأن تكون مثبتة في نفس الوضع مثل قطع الغيار الأصلية. قطع الغيار غير الأصلية لا تعمل بكفاءة، وقد تؤدي إلى حدوث إصابات.
- لا تطرق على الحداقة باستخدام مطرقة، أو شيء صلب، وذلك لأن الحداقة قد تتحطم خلال التشغيل.

عند اختبار شمعة الإشعال:

- استخدم أداة معتمدة لاختبار شمعة الإشعال.
- لا تحاول فحص قوة الشرارة إذا كانت شمعة الإشعال مفكوكة.

## الميزات وعناصر التحكم

### عناصر التحكم في المحرك

قارن بين الرسوم التوضيحية (الشكل: 1، 2، 3، 4) ومحرك لتعرف على مواقع الميزات وعناصر التحكم المختلفة.

A. الأرقام التعريفية للمحرك الموديل - النوع - الكود

B. شمعة الإشعال

C. منقي الهواء، المخروطي

D. منقي الهواء، منخفض التكوين

E. عصا قياس مستوى الزيت

F. إضافة الزيت

G. زيت الفلتر

H. سداة تصريف الزيت

I. حساس ضغط الزيت

J. واقي الأصابع

K. بادئ التشغيل الكهربائي

L. الملف اللولبي للبادئ

M. منظم/مقوم التيار

- لا تحاول تدوير المحرك باستخدام ذراع التدوير إذا كانت شمعة الإشعال مفكوكة.
- إذا كان المحرك منشعباً بالوقود، فاضبط صمام الخانق في الوضع OPEN/RUN (فتح/تشغيل)، وحرك دواسة الخانق. (إذا كان المحرك مجهزاً بها) إلى الوضع FAST (سريع) وقم بمحاولة تدوير المحرك باستخدام ذراع التدوير حتى يبدأ تشغيل المحرك.

عند تشغيل الجهاز

- لا تملأ المحرك أو المعدة بزواوية قد تؤدي إلى انسكاب الوقود.
- لا تحاول خنق الكيرباتير بغرض إيقاف المحرك.
- لا تبدأ تشغيل المحرك مطلقاً في حالة إزالة مجموعة منقي الهواء (إذا كان المحرك مجهزاً بها)، أو فلتر الهواء (إذا كان المحرك مجهزاً به).

عند تغيير الزيت

- في حالة تصريف الزيت من أنبوب ملء الزيت العلوي، يجب أن يكون خزان الوقود فارغاً، وإلا فقد يتسرب الوقود للخارج، مما يؤدي إلى حدوث حريق أو انفجار.

عند إمالة الوحدة بغرض صيانتها

- عند القيام بأعمال الصيانة التي تتطلب إمالة الوحدة، يجب أن يكون خزان الوقود فارغاً، وإلا قد يتسرب الوقود إلى الخارج مما يسبب حريق أو انفجار.

عند نقل الجهاز

- يتم نقله بشرط أن يكون خزان الوقود "فارغاً"، أو أن يكون صمام قفل الوقود في الوضع "مُغلق".

عند تخزين الوقود أو المعدات مع وجود وقود في الخزان

- يتم تخزينها بعيداً عن الأفران، أو المواقد، أو سخانات المياه، أو أي أجهزة مزودة بمصايح دليلة، أو أي مصادر اشتعال أخرى لأنها قد تؤدي إلى اشتعال أبخرة الوقود.



يؤدي بدء تشغيل المحرك إلى تطاير شرر.

ويمكن أن يؤدي الشرر إلى حدوث حريق بالقرب من الغازات القابلة للاشتعال.

وقد ينتج عن ذلك حدوث انفجار.

- في حالة حدوث تسرب للغاز الطبيعي أو الغاز المسال في إحدى المناطق، لا تبدأ تشغيل المحرك.
- لا تستخدم سوانل بدء تشغيل مضغوطة لأن الأبخرة المتصاعدة عنها تكون قابلة للاشتعال.



خطر الغاز السام. يحتوي عادم المحرك على أول أكسيد الكربون وهو غاز سام قد يقتلك في دقائق. وهو غاز لا يمكنك رؤيته أو شم رائحته أو تذوق طعمه. وحتى وإن لم تشم أبخرة العادم، قد تكون لا تزال معرضاً لغاز أول أكسيد الكربون. إذا بدأت تشعر بإعياء أو دوام أو ضعف أثناء استخدام هذا المنتج، فانتقل إلى مكان به هواء نقي على الفور. قم بزيارة الطبيب. قد تتعرض للتسمم بسبب أول أكسيد الكربون.

- لا تقم بتشغيل هذا المنتج إلا في مكان خارجي بعيداً عن النوافذ والأبواب وفتحات التهوية للحد من مخاطر تراكم غاز أول أكسيد الكربون وتسربه باتجاه الأماكن المأهولة بالسكان.
- قم بتربك إنذارات مراقبة غاز أول أكسيد الكربون التي تعمل بالبطاريات أو التي تعمل بالكهرباء وتكون مزودة بنظام بطارية احتياطي وفقاً لتعليمات الجهة المصنعة. إذ يتعدى على إنذارات الدخان كشف غاز أول أكسيد الكربون.
- لا تشغل هذا المنتج داخل المنازل أو المرانبات أو الأقباء أو أماكن التخزين الضيقة أو السقائف أو غيرها من الأماكن المحصورة جزئياً حتى في حالة تشغيل المراوح أو فتح الأبواب والنوافذ للتهوية. فقد يتراكم أول أكسيد الكربون بسرعة في هذه الأماكن ويبقى عالقاً لساعات حتى بعد إيقاف تشغيل هذا المنتج.
- ضع هذا المنتج دائماً باتجاه الريح ووجه عادم المحرك بعيداً عن الأماكن المأهولة.



يؤدي الارتداد السريع لجذب التشغيل (رد فعل عنيف) إلى سحب يدك وذراعك باتجاه المحرك بشكل أسرع من أن تستطيع إفلاته.

وقد يتسبب ذلك في إحداث كسور عادية، أو كسور مضاعفة، أو رضوض، أو التواءات.

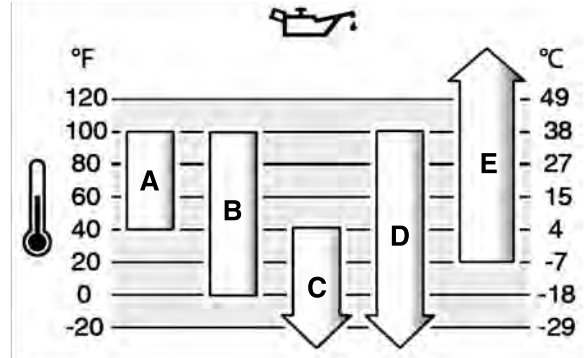
- عند بدء تشغيل المحرك، اسحب حبل بادئ التشغيل ببطء حتى تشعر بمقاومة عكسية، ثم اسحب الحبل بسرعة لتجنب رد الفعل العنيف.
- قم بإزالة جميع أحمال المعدة/المحرك الخارجية قبل بدء تشغيل المحرك.
- جميع مكونات المعدة المتصلة بها اتصالاً مباشراً، مثل، على سبيل الذكر لا الحصر، الشفرات، أو عجلات الدفع، أو البكرات، أو العجلات المستننة، إلخ، يجب ربطها بإحكام.



الأجزاء الدوارة يمكنها ملامسة أو التشابك مع الأيدي، أو الأقدام، أو الملابس، أو الأكسسوارات.

وقد ينتج عن ذلك بتر للأطراف، أو تمزقها بشدة.

- N. الكريباتير - موديلات الكريباتير  
O. مبرد الزيت (إذا كان المحرك مجهزاً به)  
P. كاتم صوت المحرك (إذا كان المحرك مجهزاً به)  
Q. مضخة الوقود  
R. 1 مفتاح بدء التشغيل  
S. 1 أداة التحكم في دواسة الخانق  
T. 1 أداة التحكم في الخانق - موديلات الكريباتير  
U. 1 فلتر الوقود (إذا كان المحرك مجهزاً به)
- 1 تحتوي بعض المحركات والمعدات على أجهزة تحكم عن بعد. يرجى الرجوع إلى دليل تشغيل المعدة للتعرف على أماكن أدوات التحكم عن بعد وطريقة تشغيلها.



## رموز التحكم في المحرك ومعانيها

الرمز	المعنى	الرمز	المعنى
	سرعة المحرك - سريع		سرعة المحرك - بطيء
	سرعة المحرك - متوقف		تشغيل - إيقاف
	بدء تشغيل المحرك - الخانق مغلق		بدء تشغيل المحرك - الخانق مفتوح
	غطاء فتحة تعبئة الوقود صمام غلق الوقود - مفتوح		صمام غلق الوقود - مغلق
	مستوى الوقود - الحد الأقصى لا تتجاوز الحد المسموح به من الزيت.		

A	SAE 30 (يؤدي استخدام 4° فهرنهايت 40° بالنسبة لدرجات الحرارة أقل من -SAE 30 إلى صعوبة في بدء التشغيل)
B	SAE 30 (يؤدي استخدام 27° فهرنهايت 80° بالنسبة لدرجات الحرارة أعلى من 10W-30 إلى ارتفاع معدل استهلاك الزيت. تحقق من مستوى الزيت بمعدل تكرار أكثر 10W-30)
C	5W-30
D	التركيب 5W-30
E	Vanguard™ التركيبي من 15W-50 زيت

## فحص مستوى الزيت

انظر الشكل: 5

قبل إضافة الزيت أو فحص مستواه

- تحقق من استواء وضع المحرك.
- نظف منطقة تعبئة الزيت من أية مخلفات.

1. قم بإخراج عصا قياس مستوى الزيت (A، الشكل 5) وامسحها بقطعة فماش نظيفة.
2. ركب عصا القياس بكاملها (A، الشكل 5).
3. قم بإخراجها مرة أخرى وتفقد مستوى الزيت. يجب أن يكون الزيت عند قمة مؤشر الامتلاء (B، الشكل 5) الموجود على عصا القياس.
4. إذا كان مستوى الزيت منخفضاً، فقم بإضافة الزيت ببطء من خلال فتحة تعبئة الزيت بالمحرك (C، الشكل 5). لا تتجاوز الحد المسموح به من الزيت. بعد إضافة الزيت، انتظر دقيقة واحدة ثم عاود فحص مستوى الزيت.
5. ركب عصا القياس بكاملها (A، الشكل 5).

## التشغيل

## نظام الحماية من انخفاض الزيت (في حال التجهيز به)

تكون بعض المحركات مزودة بحساس لانخفاض الزيت. ويقوم الحساس عند انخفاض الزيت إما بتنشيط ضوء تحذيري أو إيقاف المحرك. أوقف المحرك واتبع هذه الخطوات قبل إعادة تشغيله.

- تحقق من أن المحرك في وضع مستوي.
- افحص مستوى زيت المحرك. راجع قسم كيفية فحص مستوى الزيت.
- إذا كان مستوى الزيت منخفضاً، أضيف الكمية الملائمة من الزيت. شغل المحرك وتحقق من أن الضوء التحذيري (حال التجهيز به) غير نشط.
- إذا لم يكن مستوى الزيت منخفضاً، لا تشغل المحرك. اتصل على موزع معتمد لدى Briggs & Stratton لحل المشكلة المتعلقة بالزيت.

## توصيات الوقود

يجب أن يتوافق الوقود مع المتطلبات التالية:

- بنزين نظيف، وجديد، وخالي من الرصاص.
- 87 أوكتان (91 RON) (87 AKI) كحد أدنى. يمكن استخدامه في المناطق المرتفعة عن سطح البحر. انتظر أدناه.
- يمكن استخدام بنزين يحتوي على 10% إيثانول (جازوهول) كحد أقصى.

**إشعار** لا تستخدم بنزين غير معتمد، مثل E15 وE85. لا تخلط الزيت بالبنزين، ولا تعدل المحرك كي يعمل باستخدام وقود بديل. حيث أن ذلك سيقلق تلفيات بمكونات المحرك وسيستسبب في إبطال الضمان.

لحماية نظام الوقود من تكون ترسبات صمغية، أضيف قدرًا من مثبت الوقود إلى الوقود. راجع **التخزين**. ثمة أنواع كثيرة من الوقود. ففي حالة حدوث مشكلات تتعلق ببدء التشغيل أو مستوى الأداء، تعامل مع مزودين آخرين، أو قم بتغيير العلامة التجارية. تم اعتماد هذا المحرك ليعمل بالبنزين. نظام التحكم في الانبعاثات لهذا المحرك هو EM (تعديلات محرك).

## العلو المرتفع

عند التشغيل على ارتفاعات تفوق 5000 قدم (1524 مترًا)، يمكن استخدام البنزين 85 أوكتان (89 AKI) /85 (RON) بحد أدنى.

وبالنسبة للمحركات المزودة بكريباتير، يلزم إجراء أعمال الصبب الخاصة بالارتفاعات العالية للحفاظ على الأداء. يؤدي التشغيل دون إجراء هذا الصبب إلى انخفاض مستوى الأداء، وزيادة استهلاك الوقود، وزيادة

## توصيات متعلقة بالزيت

سعة الزيت: انظر المواصفات القسم.

### إشعار

تم شحن هذا المحرك من Briggs & Stratton وهو خالٍ من الزيت. قد يقوم مصنعو المعدات أو الوكلاء بإضافة الزيت إلى محرك. فقبل أن تبدأ بتشغيل المحرك للمرة الأولى، افحص مستوى الزيت وأضف الزيت حسب الإرشادات الواردة في هذا الدليل. وإذا بدأت بتشغيل المحرك بدون إضافة الزيت، فستعرض تلف يصعب إصلاحه، ولن يغطي الضمان هذا التلف.

دائمًا ما نوصي باستخدام الزيوت المضمونة والمعتمدة من Briggs & Stratton للحصول على أفضل أداء. لا بأس باستخدام زيوت أخرى عالية الجودة، شريطة أن تكون مصنفة لخدمات SF، أو SG، أو SJ، أو خدمات أعلى. لا تستخدم إضافات خاصة.

تحدد درجات الحرارة الخارجية درجة لزوجة الزيت المناسبة للمحرك. استخدم المخطط لتحديد أفضل درجة لزوجة لتشغيل المحرك في نطاق درجة الحرارة الخارجية المتوقعة. تعمل المحركات في معظم المعدات الآلية الخارجية بشكل جيد باستخدام زيت 5W-30 التركيبي. في حالة المعدات التي تعمل في درجة حرارة مرتفعة، يوفر زيت 15W-50 التركيبي من Vanguard™ أفضل حماية.

معدل الانبعاثات. راجع الأمر مع الموزع المعتمد لدى Briggs & Stratton للتعرف على معلومات الضبط عند التواجد على ارتفاعات عالية. لا يوصى بتشغيل المحرك على ارتفاعات تقل عن 2500 قدم (762 متراً) باستخدام ضبط الارتفاعات العالية.

وبالنسبة للمحركات التي تعمل بنظام الحقن الإلكتروني للوقود، لا يلزم إجراء ضبط الارتفاعات العالية.

## التزود بالوقود

انظر الشكل: 6



يُعتبر الوقود والأبخرة المتصاعدة منه مواد قابلة للاشتعال والانفجار.

يمكن أن يتسبب نشوب حريق، أو وقوع انفجار في التعرض لحروق شديدة، أو قد يؤدي إلى الوفاة.

### عند التزود بالوقود

- أوقف تشغيل المحرك واتركه حتى يبرد لمدة دقيقتين على الأقل قبل محاولة فك غطاء فتحة التزود بالوقود.
- املا خزان الوقود في الهواء الطلق، أو في منطقة جيدة التهوية.
- لا تملأ خزان الوقود بشكل زائد عن الحد. لكي تتيح إمكانية تمدد الوقود، احرص على ألا يتجاوز مستوى الوقود الجزء السفلي من رقبة خزان الوقود.
- ابق الوقود بعيداً عن مصدر الشرر، ومصادر اللمب المفتوحة، ومصايح الإضاءة الدليلية والحرارة، وغيرها من مصادر الاشتعال الأخرى.
- افحص أنابيب الوقود، والخزان، والغطاء بشكل منكر للتأكد من عدم وجود أي تشققات، أو تسربات بها. واستبدلها إذا لزم الأمر.
- في حالة انسكاب الوقود، انتظر حتى يتبخر قبل أن تبدأ تشغيل المحرك.

1. نظّف منطقة فتحة التزود بالوقود من الأتربة والشوائب. قم بإزالة غطاء فتحة التزود بالوقود.
2. املا خزان الوقود (A، الشكل 6) بالوقود. لكي تتيح إمكانية تمدد الوقود، احرص على ألا يتجاوز مستوى الوقود الجزء السفلي من رقبة خزان الوقود (C).
3. أعد تركيب غطاء فتحة التزود بالوقود.

## بدء تشغيل المحرك وإيقافه

انظر الشكل: 7



يُعتبر الوقود والأبخرة المتصاعدة منه مواد قابلة للاشتعال والانفجار.

يمكن أن يتسبب نشوب حريق، أو وقوع انفجار في التعرض لحروق شديدة، أو قد يؤدي إلى الوفاة.

### عند بدء تشغيل المحرك

- تأكد من وجود شمعة الإشعال، وكان صوت المحرك، وغطاء فتحة التزود بالوقود، ومنقى الهواء (إذا كان المحرك مجهزاً به) في أماكنها، وتأكد من تثبيتها جيداً كذلك.
- لا تحاول تدوير المحرك باستخدام ذراع التدوير إذا كانت شمعة الإشعال مفكوكة.
- إذا كان المحرك مشغولاً بالوقود، اضبط صمام الخانق (إذا كان المحرك مجهزاً به) في الوضع OPEN/RUN (فتح/تشغيل)، وحرك دواسة الخانق. (إذا كان المحرك مجهزاً بها) إلى الوضع FAST (سريع) وقم بتدوير المحرك باستخدام ذراع التدوير حتى يبدأ العمل.



خطر الغاز السام. يحتوي عادم المحرك على أول أكسيد الكربون، وهو غاز سام يمكنه أن يفضي إلى الوفاة في دقائق. وهو غاز لا يمكن رؤيته أو شم رائحته أو تذوق طعمه. فحتى وإن لم تشم أبخرة العادم، قد تكون لا تزال معرضاً لغاز أول أكسيد الكربون. إذا بدأت تشعر بإعياء أو دوام أو وهن أثناء استخدام هذا المنتج، فأوقفه وانتقل إلى مكان به هواء نقي على الفور. قم باستشارة طبيب. فربما تكون قد تعرضت للتسمم بغاز أول أكسيد الكربون.

- لا تقم بتشغيل هذا المنتج إلا في مكان خارجي بعيداً عن النوافذ والأبواب وفتحات التهوية للحد من مخاطر تراكم غاز أول أكسيد الكربون واحتمال تسربه إلى الأماكن المأهولة.
- قم بتركيب إنذارات مراقبة غاز أول أكسيد الكربون التي تعمل بالبطاريات أو التي تعمل بالكهرباء وتكون مزودة بنظام بطارية احتياطي وفقاً لتعليمات الجهة المصنعة. إذ يتعدى على إنذارات الدخان كشف غاز أول أكسيد الكربون.
- لا تشغل هذا المنتج داخل المنازل أو المرائب أو الأقباء أو أماكن التخزين الضيقة أو السفائف أو غيرها من الأماكن المحصورة جزئياً حتى في حالة تشغيل المراوح أو فتح الأبواب والنوافذ للتهوية. فقد يتراكم أول أكسيد الكربون بسرعة في هذه الأماكن ويبقى عالماً لساعات حتى بعد إيقاف تشغيل هذا المنتج.
- احرص دوماً على وضع هذا المنتج باتجاه الرياح واجعل اتجاهه عادم المحرك بعيداً عن الأماكن المأهولة.

**إشعار** تم شحن هذا المحرك من Briggs & Stratton وهو خالٍ من الزيت. فقبل أن تبدأ بتشغيل المحرك، تأكد من إضافة الزيت حسب الإرشادات الواردة في هذا الدليل. إذا بدأت تشغيل المحرك بدون إضافة الزيت، فسيعرض لتلف يصعب إصلاحه، ولن يغطي الضمان هذا التلف.

تحديد نوع نظام بدء التشغيل، يجب أن تحدد نوع نظام بدء التشغيل المركب في محركك. وسيحتوي محركك على أحد الأنواع التالية.

- يعمل هذا النظام عن طريق حقن الوقود إلكترونياً. لا (EFI): نظام الحقن الإلكتروني للوقود. يحتوي على خانق يدوي أو محضر.
- يتضمن خانق يستخدم لبدء التشغيل في درجات الحرارة المنخفضة. ويكون بعض: نظام الخانق الموديلات مزوداً بأداة تحكم منفصلة في الخانق فيما يحتوي البعض الآخر على ترتيبية من صمام خانق ودواسة تحكم في الخنق. هذا النوع لا يحتوي على محضر.

ملاحظة: ربما تكون المعدة مزودة بأدوات تحكم عن بعد. يرجى الرجوع إلى دليل تشغيل المعدة للتعرف على أماكن أدوات التحكم عن بعد وطريقة تشغيلها.

## (EFI) نظام الحقن الإلكتروني للوقود

1. افحص زيت المحرك. راجع قسم **فحص مستوى الزيت**.
  2. تأكد من كون أدوات التحكم في إدارة المعدة، إن وجدت، مفصولة.
  3. حرك قفل الوقود (A، الشكل 7)، إن وجد، إلى الوضع OPEN (فتح).
  4. انقل أداة التحكم في دواسة الخانق (B، الشكل 7)، إن وجدت، إلى الوضع FAST (سريع). شغل المحرك في الوضع FAST (سريع).
  5. ادفع زر الإيقاف (D، الشكل 7)، إن وجد، إلى الوضع ON (التشغيل).
  6. انقل مفتاح بدء التشغيل الكهربائي (E، الشكل 7) إلى وضع التشغيل أو البدء.
- إشعار** لإطالة عمر باءي التشغيل، استخدم دورات بدء تشغيل قصيرة (خمس ثواني بحد أقصى). انتظر دقيقة واحدة بين دورات بدء التشغيل.

وإذا لم يعمل المحرك بعد عدة محاولات، اتصل بالوكيل المحلي أو قم بزيارة الموقع: ملاحظة (داخل الولايات المتحدة الأمريكية) 1-800-999-9333 أو اتصل بهاتف رقم VanguardEngines.com

## نظام الخنق

1. افحص زيت المحرك. راجع قسم **فحص مستوى الزيت**.
  2. تأكد من كون أدوات التحكم في إدارة المعدة، إن وجدت، مفصولة.
  3. حرك قفل الوقود (A، الشكل 7)، إن وجد، إلى الوضع OPEN (فتح).
  4. انقل أداة التحكم في دواسة الخانق (B، الشكل 7)، إن وجدت، إلى الوضع FAST (سريع). شغل المحرك في الوضع FAST (سريع).
  5. حرك أداة التحكم في الخانق (C، الشكل 7)، أو مجموعة دواسة الخانق/الخانق، إلى وضع الخلق.
- ملاحظة: لبدء المحرك مع نظام وقود جاف (بدء التشغيل لأول مرة أو بعد نفاذ الوقود)، ستكون هناك حاجة إلى وقت تدوير مرفقي إضافي في وضع الخانق. يمنع ذلك مضخة الوقود الوقت اللازم لتحضير نظام الوقود.
6. ادفع زر الإيقاف (D، الشكل 7)، إن وجد، إلى الوضع ON (التشغيل).
  7. أدر مفتاح السكن (E، الشكل 7) إلى وضع التشغيل أو بدء التشغيل.
  8. إذا انطلق المحرك لكنه لم يستمر في العمل، حرك أداة التحكم في الخانق (C، الشكل 7) إلى وضع الفتح لبدء المحرك.
- إشعار** لإطالة عمر باءي التشغيل، استخدم دورات بدء تشغيل قصيرة (خمس ثواني بحد أقصى). انتظر دقيقة واحدة بين دورات بدء التشغيل.

9. عندما يسخن المحرك، حرك أداة التحكم في الخانق (C، الشكل 7) إلى وضع الفتح.

وإذا لم يعمل المحرك بعد عدة محاولات، اتصل بالوكيل المحلي أو قم بزيارة الموقع: ملاحظة (داخل الولايات المتحدة الأمريكية) 1-800-999-9333 أو اتصل بهاتف رقم VanguardEngines.com

## إيقاف المحرك



يُعتبر الوقود والأبخرة المتصاعدة منه مواد قابلة للاشتعال والانفجار.

يمكن أن يتسبب نشوب حريق، أو وقوع انفجار في التعرض لحروق شديدة، أو قد يؤدي إلى الوفاة.

- لا تحاول خنق الكريباتير بفرض إيقاف المحرك.

1. زر الإيقاف، إذا كان المحرك مجهزاً به: حرك زر الإيقاف (D، الشكل 7) إلى وضع OFF (إيقاف). مفتاح السكن، إذا كان المحرك مجهزاً به: مع وجود أداة التحكم في دواسة الخانق على الوضع البطيء، أدر مفتاح السكن (E، الشكل 7) إلى وضع الإيقاف. أزل المفتاح وقم بحفظه في مكان آمن بحيث لا يصل إليه الأطفال.
2. بعد توقف المحرك، حرك صمام غلق الوقود (A، الشكل 7)، إن وجد، إلى الوضع CLOSED (مغلق).



## الصيانة

• استبدال فلتر الأمان (إذا كان المحرك مجهزاً به)

- 1 في ظروف المناخ المثيرة، أو في حالة وجود شوائب متطايرة في الهواء، قم بزيادة عدد مرات التنظيف.
- 2 في كل مرة ثالثة لتغيير فلتر الهواء، استبدل فلتر الأمان الداخلي (إذا كان المحرك مجهزاً به).

**إشعار** إذا تطلب الأمر إمالة المحرك خلال عملية الصيانة، فيجب أن يكون خزان الوقود فارغاً ويجب أن يكون جانب شمعة الإشعال لأعلى. إذا لم يكن خزان الوقود فارغاً، وإذا كان المحرك مانعاً في أي اتجاه آخر، فقد يكون من الصعب بدء تشغيله بسبب تلوث فلتر الهواء وأو شمعة الإشعال بالزيت أو البنزين.



تحذير

عند القيام بأعمال الصيانة التي تتطلب إمالة الوحدة، يجب أن يكون خزان الوقود فارغاً، والا قد يتسرب الوقود إلى الخارج مما يسبب حريق أو انفجار.

نوصي بأن تقوم بزيارة أي من الموزعين المعتمدين لدى Briggs & Stratton لإجراء جميع أعمال الصيانة والخدمة للمحرك وجميع أجزائه.

**إشعار** يجب أن تظل جميع المكونات المستخدمة في تكوين هذا المحرك في مكانها لضمان التشغيل الصحيح للمحرك.



تحذير

قد يؤدي تطاير الشرر بطريقة غير مقصودة إلى حدوث حريق أو صدمة كهربائية.

قد يؤدي بدء التشغيل بطريقة غير مقصودة إلى تشابك الأطراف، أو تهرها، أو تترققها.

خطر الحريق

قبل إجراء أعمال الصيانة، أو الإصلاحات:

- أفضل سلك شمعة الإشعال وأبقه بعيداً عنها.
- أفضل الطرف الموجب للبطارية (في المحركات المزودة ببداي تشغيل كهربية).
- استخدم الأدوات المناسبة فقط.
- لا تعبت بالزنبرك الحاكم، أو الوصلات، أو أي أجزاء أخرى لزيادة سرعة المحرك.
- يجب أن تكون قطع الغيار البديلة من نفس تصميم القطع الأصلية، وأن تكون مثبته في نفس الوضع مثل قطع الغيار الأصلية. فقطع الغيار غير الأصلية لا تعمل بكفاءة، وقد تلف الوحدة، وقد تؤدي إلى حدوث إصابات.
- لا تطرق على الحداقة باستخدام مطرقة، أو شيء صلب، وذلك لأن الحداقة قد تتحطم خلال التشغيل.

عند اختبار قوة الشرارة:

- استخدم أداة معتمدة لاختبار شمعة الإشعال.
- لا تحاول فحص قوة الشرارة إذا كانت شمعة الإشعال مفكوكة.

## التحكم في الانبعاثات

يمكن إجراء أعمال الصيانة، أو الاستبدال، أو الإصلاح لأجهزة وأنظمة أجهزة التحكم في الانبعاثات بمعرفة أي من المؤسسات أو الأفراد المختصين بإصلاح المحركات التي لا تسير على الطرق. ولكن، للتمتع بخدمة "مجانية" لنظام التحكم في الانبعاثات، يجب إجراء الأعمال عبر وكيل خدمة معتمد من قبل المصنع. راجع بيانات التحكم في الانبعاثات.

## جدول الصيانة

ساعات أو يومياً 8 كل
<ul style="list-style-type: none"> <li>• فحص مستوى زيت المحرك</li> <li>• تنظيف المنطقة المحيطة بكاتم صوت المحرك وعناصر التحكم</li> </ul>
ساعة أو سنوياً 100 كل
<ul style="list-style-type: none"> <li>• استبدال شمعات الإشعال</li> <li>• تغيير زيت المحرك</li> <li>• استبدال فلتر الزيت (إذا كان المحرك مجهزاً به)</li> <li>• 1, 2 صيانة فلتر الهواء</li> <li>• 1 (تنظيف منقى الهواء الأولى (إذا كان المحرك مجهزاً به</li> <li>• صيانة نظام العادم</li> </ul>
ساعات 250 كل
<ul style="list-style-type: none"> <li>• التحقق من خلوص الصمام. وعدِّله إذا لزم الأمر.</li> </ul>
ساعة أو سنوياً 400 كل
<ul style="list-style-type: none"> <li>• 2 استبدال فلتر الهواء</li> <li>• استبدال فلتر الوقود</li> <li>• 1 صيانة نظام التبريد</li> <li>• 1 تنظيف زعانف مبرد الزيت</li> </ul>
ساعة أو سنوياً 600 كل

## (EFI) نظام الحقن الإلكتروني للوقود

يعمل نظام EFI على مراقبة درجة حرارة المحرك وكذا جهد البطارية من أجل بدء تشغيل المحرك وتحضيره. ولا توجد تعديلات أخرى على النظام. في حالة مواجهة مشكلات عند بدء تشغيل المحرك أو أثناء عمله، يرجى الاتصال على وكيل الخدمة المعتمد لدى Briggs & Stratton.

**إشعار** تأكد من الخطوات أدناه ولا تفقد نظام EFI:

- لا تبدأ مطلقاً تشغيل المحرك وأسلاك البطارية مرتجة.
- أدر المفتاح على وضع الإيقاف قبل فصل البطارية أو إزالتها أو تركيبها.
- لا تستخدم مطلقاً شاحن البطارية لبدء تشغيل المحرك.
- لا تفصل مطلقاً أسلاك البطارية أثناء عمل المحرك.
- عند توصيل أسلاك البطارية، احرص على توصيل الكابل الموجب (+) أولاً ثم الكابل السالب (-).
- عند شحن البطارية، أدر مفتاح الإشعال إلى وضع الإيقاف وافصل كابل البطارية السالب (-) من البطارية.
- لا تدع الماء يصل إلى وحدة التحكم الإلكترونية بشكل مباشر.

## الكربيراتير وسرعة المحرك

لا تقم مطلقاً بإجراء تعديلات على الكربيراتير أو سرعة المحرك. فقد تم ضبط الكربيراتير في المصنع ليعمل بكفاءة في جميع الظروف. لا تعبت بالزنبرك الحاكم، أو الوصلات، أو أي أجزاء أخرى بغرض زيادة سرعة المحرك. وإذا ما لزم إجراء أي تعديلات، اتصل بوكيل الخدمة المعتمد لدى Briggs & Stratton لإجرائها.

هذه فلا تتجاوز. يقوم مصنِّع المعدة بتحديد السرعة القصوى للمحرك الذي سيتم تركيبه عليها **إشعار** السرعة. وإذا لم تكن متيقناً من السرعة القصوى للمعدة، أو السرعة التي ضبط عليها المحرك قبل خروجه للحصول على المساعدة. ولضمان Briggs & Stratton من المصنع، اتصل على وكيل الخدمة المعتمد لدى التشغيل الآمن والسليم للمعدة، يجب الاستعانة بغيري خدمة مؤهل لضبط سرعة المحرك.

## صيانة شمعة الإشعال

انظر الشكل: 8

افحص الفوهة (A، الشكل رقم 8) باستخدام محدد قياس الأسلاك (B). وأعد ضبطها إذا لزم الأمر. قم بتركيب شمعة الإشعال وأحكام ربطها حسب عزم الربط الموصى به. للتعرف على ضبط أو عزم الربط للفوهة، راجع قسم المواصفات.

ملاحظة: في بعض المناطق، تنص القوانين المحلية على استخدام شمعة إشعال مقاومة لتخميد إشارات الإشعال. وإذا كان هذا المحرك مجهزاً بشمعة إشعال مقاومة في الأساس، فاستخدم نفس النوع عند استبدالها.

## صيانة نظام العادم



تنتج حرارة عن تشغيل المحركات. وتصبح أجزاء المحرك، وبخاصة كاتم صوت المحرك، ساخنة للغاية.

الأمر الذي قد يؤدي إلى الإصابة بحروق بالغة عند ملامسة تلك الأجزاء.

ويمكن أن تتسبب المخلفات القابلة للاشتعال، مثل الأوراق الجافة، أو العشب، أو الأغصان المقطوعة الجافة، أو غير ذلك في حدوث حريق.

- دع كاتم صوت المحرك، واسطوانة المحرك، والمراوح تبرد قبل لمسها.
- قم بإزالة المخلفات المتراكمة من منطقة كاتم صوت المحرك ومنطقة الاسطوانة.
- يعد من قبيل المخالفة لقانون الموارد العامة في كاليفورنيا، القسم 4442، أن تقوم باستخدام أو تشغيل المحرك في أي أرض مغطاة بالغايات، أو بالأغصان، أو بالعشب، ما لم يكن نظام العادم مجهزاً بمنع الشرر. كما هو موضح في القسم 4442، والتأكد من قدرته على العمل بفاعلية.
- وقد توجد قوانين مشابهة لهذا القانون في الولايات أو المناطق الفيدرالية الأخرى. اتصل بالمصنِّع الأصلي للمعدة، أو بائع التجزئة، أو الموزع للحصول على مانعة الشرر المصممة خصيصاً لنظام العادم المركب في هذا المحرك.

قم بإزالة المخلفات المتراكمة من منطقة كاتم صوت المحرك ومنطقة الاسطوانة. افحص كاتم صوت العادم بحثاً عن شروخ أو شقوق أو تآكل أو أية أضرار أخرى. انزع مانعة الشرر، حال وجودها، وافحصها بحثاً عن تلف أو انسداد كربوني. وإذا حددت مكان التلف، فقم بتركيب قطع غيار بديلة قبل تشغيل المحرك.



تحذير

يجب أن تكون قطع الغيار البديلة من نفس تصميم القطع الأصلية، وأن تكون مثبته في نفس الوضع مثل قطع الغيار الأصلية. فقطع الغيار غير الأصلية لا تعمل بنفس الكفاءة، وقد تلف الوحدة، وقد تؤدي إلى حدوث إصابات.

3. ولكي تزيل المخلفات، اقرع الفلتر برفق على سطح صلب. إذا كان فلتر الهواء شديد الاتساخ، استبدله بأخر جديد.
4. لإخراج فلتر الأمان (D، الشكل 12)، إذا كان المحرك مجهزاً به، اسحبه بعناية إلى خارج جسم منقى الهواء (E). احرص على عدم دخول الأتربة أو الركام إلى داخل المحرك.
5. قم بتركيب فلتر الأمان الجديد (D، الشكل 12) في جسم منقى الهواء (E).
6. قم بتركيب فلتر الهواء (C، الشكل 12) على فلتر الأمان (D).
7. أعد تركيب الغطاء (B، الشكل 12) وأغلق أداة (أدوات) التثبيت (A).

## فلتر الهواء الورقي

1. قم بفك قطعة (قطع) التثبيت (A، الشكل 13).
2. قم بإزالة الغطاء (B، الشكل 13).
3. قم بإزالة قطعة (قطع) التثبيت (C، الشكل 13) وقطعة الاحتجاز (D).
4. فك فلتر الهواء (E، الشكل 13).
5. قم بإزالة منقى الهواء الأولي (F، الشكل 13)، إذا كان المحرك مجهزاً به، من فلتر الهواء (E).
6. لكي تزيل المخلفات، اطرق فلتر الهواء (E، الشكل 13) برفق على سطح صلب. إذا كان فلتر الهواء شديد الاتساخ، استبدله بأخر جديد.
7. اغسل منقى الهواء الأولي (F، الشكل 13)، إذا كان المحرك مجهزاً به، في مطهر سائل وماء. دع منقى الهواء الأولي ليصف تماماً بفعل الهواء. لا تقم بتثبيت منقى الهواء الأولي.
8. قم بتجميع منقى الهواء الأولي الجاف (F، الشكل 13)، إذا كان المحرك مجهزاً به، مع فلتر الهواء (E).
9. ركب فلتر الهواء (E، الشكل 13) وأمينه بقطعة الاحتجاز (D) وقطعة (قطع) التثبيت (C).
10. أعد تركيب الغطاء (B، الشكل 13) وأمينه بقطعة (قطع) التثبيت (A). تأكد من إحكام ربط قطعة (قطع) التثبيت.

## صيانة نظام الوقود

انظر الشكل: 14



تحذير الوقود والأبخرة المتصاعدة منه مواد قابلة للاشتعال والانفجار بشدة.

يمكن أن يتسبب نشوب حريق أو وقوع انفجار في التعرض لحروق شديدة أو الوفاة.

- ابعد الوقود عن مصادر الشرر، ومصادر اللهب المفتوحة، والشعلات الدائمة والحرارة، وغيرها من مصادر الاشتعال الأخرى.
- احرص أنابيب الوقود، والخزان، والغطاء والتركيبات بشكل متكرر للتأكد من عدم وجود أي تشققات، أو تسربات بها. واستبدل الأجزاء إذا اقتضت الحاجة.
- قبل تنظيف فلتر الوقود أو استبداله، قم بتصريف خزان الوقود، أو اغلق صمام قفل الوقود.
- في حالة انسكاب الوقود، انتظر حتى يتبخر قبل أن تبدأ بتشغيل المحرك.
- يجب أن تكون قطع الغيار البديلة من نفس التصميم، وأن تكون مثبتة في نفس الوضع مثل قطع الغيار الأصلية.

## فلتر الوقود، إذا كان المحرك مجهزاً به

1. قبل استبدال فلتر الوقود (A، الشكل 14)، إذا كان المحرك مجهزاً به، قم بتصريف خزان الوقود أو قم بإغلاق صمام إغلاق الوقود. فإذا لم تفعل ذلك، يمكن أن يتسرب الوقود ويتسبب في حدوث حريق أو انفجار.
2. استخدم الزردبات لضغط الألسنة (B، الشكل 14) في الماسكات (C)، ثم أزح الماسكات بعيداً عن فلتر الوقود (A)، قم بلف أنابيب الوقود ثم اسحبها (D) بعيداً عن فلتر الوقود.
3. افحص أنابيب الوقود (D، الشكل 14) بحثاً عن التشققات أو التسربات. وقم باستبدالها إذا اقتضت الحاجة.
4. استبدال فلتر الوقود (A، الشكل 14) مستخدماً فلترًا بديلاً أصلياً.
5. قم بتثبيت أنابيب الوقود (D، الشكل 14) باستخدام الماسكات (C) كما هو موضح في الصورة.

## صيانة نظام التبريد

انظر الشكل: 15، 16



تنتج حرارة عن تشغيل المحركات. وتصبح أجزاء المحرك، وبخاصة كاتم صوت المحرك، ساخنة للغاية. الأمر الذي قد يؤدي إلى الإصابة بحروق حرارية بالغة عند ملامستها.

ويمكن أن تشعل المخلفات القابلة للاشتعال، مثل الأوراق الجافة، أو العشب، أو الأغصان المقطوعة الجافة، أو غيرها.

- دع كاتم صوت المحرك، واسطوانة المحرك، والمراوح تبرد قبل لمسها.
- قم بإزالة المخلفات المتراكمة من منطقة كاتم صوت المحرك ومنطقة الأسطوانة.

## تغيير زيت المحرك

انظر الشكل: 9، 10، 11

يعتبر الزيت المستهلك من المواد العادمة الخطرة، ويجب التخلص منها بصورة مناسبة. فلا تتخلص منه مع النفايات المنزلية. راجع السلطات المحلية أو مركز الخدمة أو الموزع لمعرفة منشآت التخلص الآمن/إعادة التدوير المتوافرة.

## إزالة الزيت

1. عندما يكون المحرك متوقفاً لكنه لا يزال دافئاً، افصل سلك شمعة الإشعال (D، الشكل 9) وأبعده بعيداً عن شمعة الإشعال (E).
2. قم بإزالة عصا قياس مستوى الزيت (A، الشكل 10).
3. قم بإزالة سدادة تصريف الزيت (F، الشكل 11). قم بتصريف الزيت إلى داخل الحاوية المخصصة لذلك.
4. بعد تصريف الزيت، قم بتركيب سدادة تصريف الزيت وارتبطها بإحكام (F، الشكل 11).

## غير فلتر الزيت (إذا كان المحرك مجهزاً به)

تكون بعض المحركات مزودة بفلتر زيت. للوقوف على الفواصل الزمنية، راجع جدول الصيانة.

1. قم بتصريف الزيت من المحرك. راجع قسم إزالة الزيت.
2. قم بإزالة فلتر الزيت (G، الشكل 11) وتخلص منه بشكل سليم.
3. قبل تركيب فلتر زيت جديد، قم بتزليق حشية فلتر الزيت بشكل خفيف باستخدام زيت جديد ونظيف.
4. ركب فلتر الزيت باليد حتى تتلامس الحشية مع موانع فلتر الزيت، ثم أحكم ربط الفلتر من 1/2 إلى 3/4 لفة.
5. إضافة الزيت. راجع قسم إضافة الزيت.
6. قم بتشغيل المحرك. كلما كان المحرك ساخناً، تحقق من تسرب الزيت.
7. أوقف المحرك وتفقد مستوى الزيت. يجب أن يكون الزيت عند قمة مؤشر الامتلاء (B، الشكل 10) الموجود على عصا القياس.

## إضافة الزيت

- تحقق من استواء وضع المحرك.
- نظف منطقة تعبئة الزيت من أية مخلفات.
- للتعرف على سعة الزيت المواصفات راجع قسم

1. قم بإخراج عصا قياس مستوى الزيت (A، الشكل 10) وامسحها بقطعة قماش نظيفة.
2. صب الزيت ببطء داخل فتحة تعبئة الزيت في المحرك (C، الشكل 10). لا تتجاوز الحد المسموح به من الزيت. بعد إضافة الزيت، انتظر دقيقة واحدة ثم افحص مستوى الزيت.
3. أعد تركيب عصا القياس وأحكام ربطها (A، الشكل 10).
4. قم بإخراجها مرة أخرى وتفقد مستوى الزيت. يجب أن يكون الزيت عند قمة مؤشر الامتلاء (B، الشكل 10) الموجود على عصا القياس.
5. أعد تركيب عصا القياس (A، الشكل 10) وأحكام ربطها.
6. قم بتوصيل سلك شمعة الإشعال (D، الشكل 9) بشمعة الإشعال (E).

## صيانة فلتر الهواء

انظر الشكل: 12، 13



يعتبر الوقود والأبخرة المتصاعدة منه مواد قابلة للاشتعال والانفجار.

يمكن أن يتسبب نشوب حريق، أو وقوع انفجار في التعرض لحروق شديدة، أو قد يؤدي إلى الوفاة.

- لا تبدأ تشغيل المحرك مطلقاً في حالة إزالة مجموعة منقى الهواء (إذا كان المحرك مجهزاً بها)، أو فلتر الهواء (إذا كان المحرك مجهزاً به).

إشعار لا تستخدم الهواء المضغوط، أو المذيبات لتنظيف الفلتر. يمكن أن يؤدي الهواء المضغوط إلى إتلاف الفلتر والمذيبات إلى تفكيكه.

راجع جدول الصيانة للوقوف على متطلبات الصيانة.

تستخدم موديلات عديدة فلاتر مصنوعة من الإسفنج أو الورق. وقد تحتوي بعض الموديلات على منقى هواء أولي اختياري يمكن غسله وإعادة استخدامه. قارن الرسومات التوضيحية في هذا الدليل مع نوع الفلتر المركب على المحرك الخاص بك، وقم بإجراء أعمال الصيانة تبعاً لما يلي.

## فلتر الهواء الورقي

1. فك قطعة (قطع) التثبيت (A، الشكل 12)، وقم بإزالة الغطاء (B).
2. فك فلتر الهواء (C، الشكل 12).

**إشعار** لا تستخدم الماء لتنظيف المحرك. فالماء يمكن أن يُلوث نظام الوقود. استخدم فرشاة أو قطعة قماش جافة لتنظيف المحرك.

هذا المحرك يتم تبريده بالهواء. لذا، فإن الأتربة أو المخلفات يمكنها أن تعيق تدفق الهواء، وقد يؤدي ذلك إلى ارتفاع درجة حرارة المحرك وبالتالي انخفاض مستوى الأداء، وقصر عمر المحرك.

1. استخدم فرشاة أو قطعة قماش جافة لإزالة المخلفات من منطقة سحب الهواء (A، الشكل 15).
2. أبقِ الوصلات، والزنبركات، ومفاتيح التحكم (B، الشكل 15، 16) نظيفة.
3. أبقِ المنطقة حول كاتم صوت المحرك وخلفه (C، الشكل 15، 16) خالية من أي مخلفات قابلة للاشتعال.
4. تأكد أن زعانف مبرد الزيت (D، الشكل 15) خالية من الأتربة والمخلفات.
5. قم بخلخلة قطعة (قطع) التثبيت (E، الشكل 16) إلى أن تسمع صوت نقرة. أخرج اللوحة (F) ونظف المنطقة من الأتربة والمخلفات. تحقق كذلك من نظافة الجانب التحتي للوحة.
6. ركب اللوحة (F، الشكل 16) وأمتها بقطعة (قطع) التثبيت (E). أحكم ربط قطعة (قطع) التثبيت إلى أن تسمع صوت نقرة.

بعد فترة من الوقت، يمكن أن تترامك المخلفات في زعانف تبريد الأسطوانة متسببة في ارتفاع درجة حرارة المحرك. ولا يمكن إزالة هذه المخلفات دون تفكيك أجزاء من المحرك. برجاء زيارة وكيل الخدمة المعتمد لدى Briggs & Stratton لفحص وتنظيف نظام تبريد الهواء على النحو الموصى به في جدول الصيانة.

## التخزين



الوقود والأبخرة المتصاعدة منه مواد قابلة للاشتعال والانفجار بشدة.

يمكن أن يتسبب نشوب حريق أو وقوع انفجار في التعرض لحروق شديدة أو الوفاة.

عند تخزين الوقود أو المَعَدَّات مع وجود وقود في الخزان

- تُخزَّن بعيداً عن الأفران، أو المواقد، أو سخانات المياه، أو أي أجهزة مزودة بمصباح دليلية، أو أي مصادر اشتعال أخرى إذ أنها قد تؤدي إلى اشتعال أبخرة الوقود.

### نظام الوقود

انظر الشكل: 17

خزن المحرك في وضع مستو (وضع التشغيل العادي). املا خزان الوقود (A، الشكل 17) بالوقود. لكي تتيح إمكانية تمدد الوقود، لا تفرط في الملء بما يتجاوز رقبة خزان الوقود (B).

يمكن أن يفسد الوقود في حالة تخزينه لمدة تتجاوز 30 يوماً. ويؤدي استخدام الوقود القديم إلى تكوّن ترسبات حمضية وصمغية داخل نظام الوقود، أو بداخل أجزاء المكين الأساسية. للحفاظ على حيوية الوقود، استخدم التركيبة المتطورة لمعالجة وتثبيت الوقود من Briggs & Stratton متوافرة في كل الأماكن التي يتم فيها بيع قطع غيار Briggs & Stratton الأصلية.

لا يلزم تصريف البنزين من المحرك في حالة إضافة مثبت الوقود حسب التعليمات الخاصة بذلك. قم بتشغيل المحرك لمدة دقيقتين لتدوير مثبت الوقود داخل نظام الوقود بالكامل قبل التخزين.

في حالة عدم إضافة مثبت الوقود إلى البنزين الموجود بداخل المحرك، فيجب تصريفه داخل الحاوية المخصصة لذلك. قم بتشغيل المحرك حتى يتوقف بسبب نقص الوقود. يوصى باستخدام مثبت الوقود في حاوية التخزين للحفاظ على حالة الوقود.

### زيت المحرك

قم بتغيير زيت المحرك بينما لا يزال المحرك دافئاً. راجع قسم (تغيير زيت المحرك).

## استكشاف المشكلات وإصلاحها

للحصول على المساعدة، اتصل بالوكيل المحلي في منطقتك أو تفضل بزيارة الموقع الإلكتروني VanguardEngines.com أو اتصل على 1-800-999-9333 (في الولايات المتحدة الأمريكية).

## المواصفات

الموديل: 540000	
الإزاحة	(cc 896) ci 54.68
التجويف	(mm 85,5) in 3.366
الشوط	(mm 78,0) in 3.071
سعة الزيت	(L 2,3 - 2,4) oz 78 - 80
فجوة شمعة الإشعال	(mm 76,) in 030.
عزم شمعة الإشعال	(Nm 20) lb-in 180
فجوة هواء عضو الإنتاج	(mm 13 -, 20,) in 005 - .008.
خلوص صمام السحب	(mm 10 -, 15,) in 004 - .006.
خلوص صمام العادم	(mm 18 -, 23,) in 007 - .009.

## الموديل: 61E100 , 610000

الإزاحة	(cc 993) ci 60.60
التجويف	(mm 85,5) in 3.366
الشوط	(mm 86,5) in 3.406
سعة الزيت	(L 2,3 - 2,4) oz 78 - 80
فجوة شمعة الإشعال	(mm 76,) in 030.
عزم شمعة الإشعال	(Nm 20) lb-in 180
فجوة هواء عضو الإنتاج - موديلات الكريبرايتر	(mm 13 -, 20,) in 005 - .008.
خلوص صمام السحب	(mm 10 -, 15,) in 004 - .006.
خلوص صمام العادم	(mm 18 -, 23,) in 007 - .009.

تقل قوة المحرك بنسبة 3.5% لكل 1000 قدم (300 متر) فوق مستوى سطح البحر، وبنسبة 1% لكل 10 درجات فهرنهايت (5.6 مئوية) أعلى من 77 درجة فهرنهايت (25 مئوية). ويعمل المحرك بشكل مُرض عند ضبطه بزاوية تصل إلى 15 درجة. راجع دليل مشغل المعدة للتعرف على حدود التشغيل الآمنة المسموح بها عند السير على المنحدرات.

## قطع الغيار - الموديل: 61E100 , 610000 , 540000

رقم القطعة	قطعة الغيار
841497	(12) فلتر الهواء المخروطي (الشكل)
821136	(12) فلتر الأمان المخروطي (الشكل)
692519	(13) فلتر الهواء، منخفض التكوين (الشكل)
692520	(13) منقي الهواء، منخفض التكوين (الشكل)
100028	SAE 30 - الزيت
842921	زيت الفلتر
100117, 100120	التركيبة المتطورة لمعالجة وتثبيت الوقود
691035	فلتر الوقود
491055	شمعة الإشعال المقاومة
5066	شمعة الإشعال طويلة العمر المصنوعة من البلاتين
19374	مفتاح ربط شمعة الإشعال
19368	أداة اختبار شمعة الإشعال

نوصي بأن تقوم بزيارة أي وكيل معتمد لدى Briggs & Stratton لإجراء جميع أعمال الصيانة والخدمة للمحرك وجميع أجزائه.

**تقدير الطاقة:** تقدير الطاقة الكلية لموديلات محركات البنزين الفردية مشار إليه في الملصق الموجود على المحرك وفقاً لـ SAE (جمعية مهندسي السيارات) رقم J1940 إجراء تقدير الطاقة والعزم للمحركات الصغيرة، وهو مقدر وفقاً للإجراء SAE J1995. وتُستمد قيم العزم عند دوران المحرك بسرعة 2600 لفة/دقيقة بالنسبة للمحركات المذكور "عدد اللفات في الدقيقة" على الملصقات خاصتها، وعند 3060 لفة/دقيقة بالنسبة لكافة المحركات الأخرى؛ فيما تُستمد قيم القوة الحصانية عند 3600 لفة/دقيقة. يمكنك الاطلاع على منحنيات الطاقة الكلية على الموقع [www.BRIGGSandSTRATTON.COM](http://www.BRIGGSandSTRATTON.COM). تُستمد قيم الطاقة الصافية في وجود منقي الهواء والعادم، فيما تُجمَع قيم الطاقة الكلية دون تركيب هذه الملحقات. وتكون الطاقة الكلية الفعلية للمحرك أعلى من الطاقة الصافية له، وتأثر بعدة عوامل من بينها: ظروف التشغيل المحيطة والتفاوت الموجود بين محرك وآخر. وبالنظر إلى التنوع الكبير في المنتجات التي تستخدم معها المحركات، فإن محرك البنزين قد لا يعمل بطاقته الكلية المقدره عند استخدامه مع معدة طاقة معينة. ويحدث هذا الاختلاف بسبب العديد من العوامل والتي تشمل، على سبيل المثال لا الحصر، مكونات المحرك المتنوعة (منقي الهواء، والعادم، والشحن، والتبريد، والكريبرايتر، ومضخة الوقود، وغير ذلك)، والقيود المفروضة على الاستخدام، وظروف التشغيل المحيطة (درجة الحرارة، والرطوبة، والارتفاع عن سطح الأرض)، والتفاوت الموجود بين محرك وآخر. ونظراً للقيود المتعلقة بالتنوع والسعة، فقد تطرح Briggs & Stratton محركاً يتمتع بطاقة أعلى لهذه الفئة من المحركات.

## ضمان محرك

### Briggs & Stratton ضمان محرك

ساري اعتباراً من يناير 2017

#### ضمان محدود

تضمن Briggs & Stratton أنها، خلال فترة الضمان المحددة أدناه، ستقوم بإصلاح أو استبدال أي جزء به عيوب في الخامة أو التصنيع أو كليهما مجاناً. ويتحمل المشتري رسوم نقل المنتج الذي يتم إرساله للإصلاح أو الاستبدال بموجب هذا الضمان. يسري هذا الضمان وفقاً للترات الزمنية والشروط المنصوص عليها أدناه وبعد خاضعاً لها. للحصول على خدمة الضمان، ابحث عن أقرب وكيل خدمة معتمد في خريطة تحديد عناوين الوكلاء على [BRIGGSandSTRATTON.COM](http://BRIGGSandSTRATTON.COM). يجب على المشتري أن يتصل بوكيل الصيانة المعتمد ثم يقدم المنتج لوكيل الصيانة المعتمد لفحصه واختباره.

لا تقدم الشركة أي ضمان صريح آخر. الضمانات الضمنية بما في ذلك تلك الخاصة بالبراج والصلاحية لغرض يستثنى من تلك. معين محدد وتقتصر على فترة الضمان المدرجة أدناه أو حسب النطاق الذي يحدده القانون المسؤولية الأضرار العارضة أو التابعة التي يسمح القانون باستثنائها. بعض الولايات أو الدول لا تسمح بوضع قيود على طول فترة الضمان الضمنية، وبعض الولايات أو الدول لا تسمح بالاستثناء أو وضع حد للأضرار العارضة أو الاستثنائية، ولهذا فقد لا تنطبق عليك القيود والاستثناءات المذكورة أعلاه. يمنحك هذا الضمان حقوقاً قانونية محددة، وقد تكون لديك حقوقاً أخرى تختلف تبعاً للولاية أو الدولة.

### شروط الضمان القياسية 1، 2، 3

المنتج/اسم العلامة التجارية	الاستخدام المستهلك	الاستخدام التجاري
السلسلة التجارية Vanguard™	36 شهراً	36 شهراً
المحركات المزودة بجلب Dura-Bore™ المصنوعة من الحديد الصلب	24 شهراً	12 شهراً
جميع المحركات الأخرى	24 شهراً	3 أشهر

<sup>1</sup> فيما يلي شروط الضمان القياسية الخاصة بنا، ولكن قد تظهر أحياناً تغطية ضمان إضافية لم تكن محددة في وقت النشر. وللحصول على قائمة بشروط الضمان المتعلقة بمحرك، قم بزيارة الموقع [BRIGGSandSTRATTON.COM](http://BRIGGSandSTRATTON.COM). أو اتصل بوكيل الخدمة المعتمد من Briggs & Stratton منطقتك.

<sup>2</sup> لا ينطبق هذا الضمان على المحركات الموجودة في المعدات المستخدمة في توليد الكهرباء للأغراض الأساسية بدلاً من المرفق العام أو المولدات الاحتياطية المستخدمة في الأغراض التجارية. ولا تُعد المحركات المستخدمة في السباقات التنافسية، أو في مضامير السباق التجارية أو الإيجارية مشمولة في هذا الضمان.

<sup>3</sup> محركات Vanguard المركبة في مولدات الكهرباء الاحتياطية: 24 شهراً لاستخدام المستهلك، لا ضمان للاستخدام التجاري. محركات Vanguard المركبة في مركبات الخدمة: 24 شهراً لاستخدام المستهلك، و24 شهراً للاستخدام التجاري. السلسلة التجارية بتاريخ تصنع بسبق يوليو 2017، 24 شهراً لاستخدام المستهلك، 24 شهراً للاستخدام التجاري.

<sup>4</sup> في أستراليا - تاتي بضماننا مزودة بضمانات لا يمكن أن تستثنى بموجب قانون المستهلك الأسترالي. فيحق لك استبدال المحرك أو استرداد أموالك في حالة وجود عطل جوهري، أو الحصول على تعويض عما سوى ذلك من خسائر أو أضرار متوقعة على نحو معقول. كما يحق لك إصلاح البضائع أو استبدالها إذا لم تكن جودة البضائع مقبولة وإذا كان العطل لا يرقى لأن يكون عطلاً جوهرياً. للحصول على خدمة الضمان، ابحث عن "وكيل الخدمة المعتمد" الأقرب إليك على خريطة تحديد مواقع الوكلاء المتوفرة على [BRIGGSandSTRATTON.COM](http://BRIGGSandSTRATTON.COM) أو اتصل على 1300 274 447. أو أرسل رسالة عبر البريد الإلكتروني إلى [salesenquires@briggsandstratton.com.au](mailto:salesenquires@briggsandstratton.com.au). أو خطاباً كتابياً على العنوان التالي: Briggs & Stratton Australia Pty Ltd, 1 Moorebank Avenue, Moorebank, NSW 2170، أستراليا.

تبدأ فترة الضمان في تاريخ الشراء الأصلي من جانب مستهلك التجزئة الأول أو المستهلك التجاري. "استخدام المستهلك" يعني الاستخدام الشخصي السكني المنزلي من جانب مستهلك التجزئة. "الاستخدام التجاري" يعني جميع أوجه الاستهلاك الأخرى، بما في ذلك الاستخدام في الأغراض التجارية أو التي تُدر دخلاً أو لأغراض التاجر. وبمجرد استخدام المحرك بطريقة تجارية، يتم اعتباره بعد ذلك محركاً مستخدماً بطريقة تجارية لأغراض خاصة بهذا الضمان.

ولكن يُرجى الاحتفاظ بإيصال الشراء. فإذا لم تقدم دليلاً على تاريخ الشراء الأولي عند طلب خدمة الضمان، فسيُحدد تاريخ صناعة المنتج بمثابة تاريخ بداية فترة الضمان. لا يعد تسجيل المنتج أمراً ضرورياً في الحصول على خدمة ضمان منتجات Briggs & Stratton.

#### نبذة عن الضمان

يغطي هذا الضمان المحدود المشكلات المتعلقة بالمحرك الناجمة عن المواد المعيبة و/أو عملية التصنيع وحسب، وليس استبدال المعدة التي قد يتم تثبيت المحرك بها أو استرداد ثمنها. ولا يشمل هذا الضمان عمليات الصيانة أو الموائمة أو الضبط، أو البلى الناتج عن الاستعمال العادي. وينفس الطريقة، يبطل الضمان في حالة إدخال أي تعديل أو تغيير في المحرك، أو في حالة إزالة الرقم التسلسلي للمحرك أو طمسه. ولا يغطي هذا الضمان تلفيات المحرك أو مشكلات الأداء الناجمة عن:

1. استخدام قطع غيار غير معتمدة من Briggs & Stratton.
2. تشغيل المحرك باستخدام زيت تزليق غير كافٍ أو ملوث أو من درجة غير صحيحة.
3. استخدام وقود ملوث أو منتهية صلاحيته، أو بنزين مضاف إليه إيثانول بنسبة تتجاوز 10%، أو استخدام وقود بديل مثل الغاز الطبيعي المسال أو غاز البترول المسال والذي لم يتم تصميمه لتصنيع محركات Briggs & Stratton لتعمل به.
4. الأثرية التي تدخل المحرك بسبب الصيانة غير الصحيحة لمنقى الهواء أو التجميع الخاطئ له.
5. الاصطدام بشيء صلب مزود بشفرات قاطعة كتلك الخاصة بجزازات العشب الدوارة، أو عدم إحكام ربط الموائمات المتصلة أو الدافع الميكانيكي أو غير ذلك من الأدوات المقرونة بعمود مرفقي أو تركيبها بشكل غير صحيح، أو الشد الزائد للسبير على شكل V.
6. قطع الغيار، أو مجموعات قطع الغيار المرفقة مثل أجهزة القابض، أو أجهزة نقل الحركة، أو عناصر التحكم في المعدة، وغيرها والتي لم يتم تصنيعها بمعرفة Briggs & Stratton.
7. درجة الحرارة الزائدة التي تحدث بسبب قصاصات العشب، أو الأثرية، أو المخلفات، أو أعشاش القوارض والتي تسد أو تعوق حركة مراوح التبريد، أو منطقة الحدافة، أو التلف الحادث بسبب تشغيل المحرك دون توفر تهوية كافية.
8. الاهتزاز الزائد عن الحد بسبب السرعة الزائدة، أو التثبيت غير المحكم للمحرك، أو شفرات القطع أو الدافعات الميكانيكية المفكوكة أو مختلة الاتزان، أو الاقتران غير الصحيح بين مكونات المعدة والعمود المرفقي.
9. سوء الاستخدام، أو قلة الصيانة الدورية، أو الشحن أو الحمل أو التخزين الخاطئ للمعدة، أو تركيب المحرك بطريقة خاطئة.

خدمة الضمان متاحة فقط من خلال وكلاء الخدمة المعتمدين من Briggs & Stratton. حدد موقع أقرب "وكيل خدمة معتمد" موجود على خريطة تحديد المواقع الخاصة بنا والمتوفرة على الموقع [BRIGGSandSTRATTON.COM](http://BRIGGSandSTRATTON.COM). أو من خلال الاتصال برقم 1-800-233-3723 (داخل الولايات المتحدة الأمريكية).

(80004537 (Rev. C

Not for  
Reproduction

Not for  
Reproduction





Not for  
Reproduction